

US00D497233S1

(12) **United States Design Patent**
Parker et al.

(10) **Patent No.:** **US D497,233 S**
(45) **Date of Patent:** **** Oct. 12, 2004**

(54) **SURFACE ORNAMENTATION FOR CASKETS**

D462,128 S 8/2002 Careri D25/103
D462,455 S 9/2002 Careri D25/103

(75) Inventors: **Daniel J. Parker**, Connersville, IN (US); **Christopher M. Wessel**, Batesville, IN (US)

OTHER PUBLICATIONS

The Enschede Catalog of Typographic Borders and Ornaments, Dover p. 6 #141 #101, Jul. 27, 1987.*

(73) Assignee: **Batesville Services, Inc.**, Batesville, IN (US)

* cited by examiner

(**) Term: **14 Years**

Primary Examiner—Paula A. Mortimer

(21) Appl. No.: **29/176,334**

(74) *Attorney, Agent, or Firm*—Wood, Herron & Evans, L.L.P.

(22) Filed: **Feb. 24, 2003**

(57) **CLAIM**

(51) **LOC (7) Cl.** **99-00**

The ornamental design for surface ornamentation for caskets, as shown and described.

(52) **U.S. Cl.** **D99/1; D99/8**

DESCRIPTION

(58) **Field of Search** D99/1-4, 8, 16; D5/24, 32, 63, 66; D6/615; 27/1-10; D20/10, 11

FIG. 1 is a perspective view of our new, original and ornamental design for surface ornamentation for caskets; FIG. 2 is a top view thereof; FIG. 3 is a top view of an alternative embodiment thereof; FIG. 4 is a top view of an alternative embodiment thereof; and,

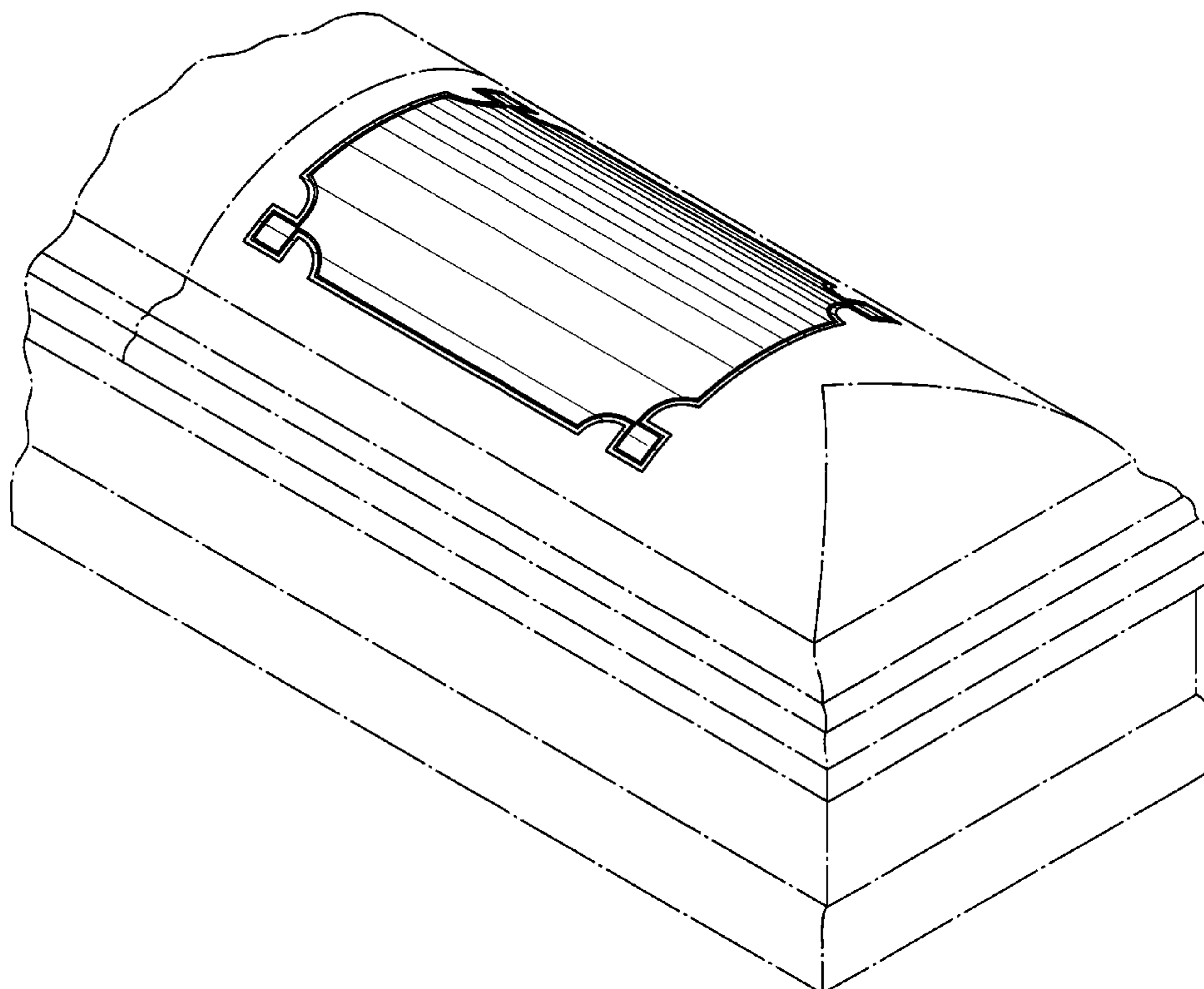
(56) **References Cited**

U.S. PATENT DOCUMENTS

1,912,279 A	*	5/1933	Kincaid	27/3 X
D161,470 S	*	1/1951	Lager	D99/1
D350,010 S		8/1994	May et al.	D99/5
D359,831 S		6/1995	Parker	D99/5
D381,901 S		8/1997	Alig et al.	D9/414
D420,232 S		2/2000	Paus	D9/491
D444,932 S		7/2001	Greiwe et al.	D99/5
6,317,942 B1	*	11/2001	Hankel et al.	27/2

FIG. 5 is a top view of an alternative embodiment thereof. The broken line showing of the casket is for illustrative purposes only and forms no part of the claimed design. The depicted contrast in shading represents a contrast in appearance via color, texture, material and/or luminance.

1 Claim, 5 Drawing Sheets



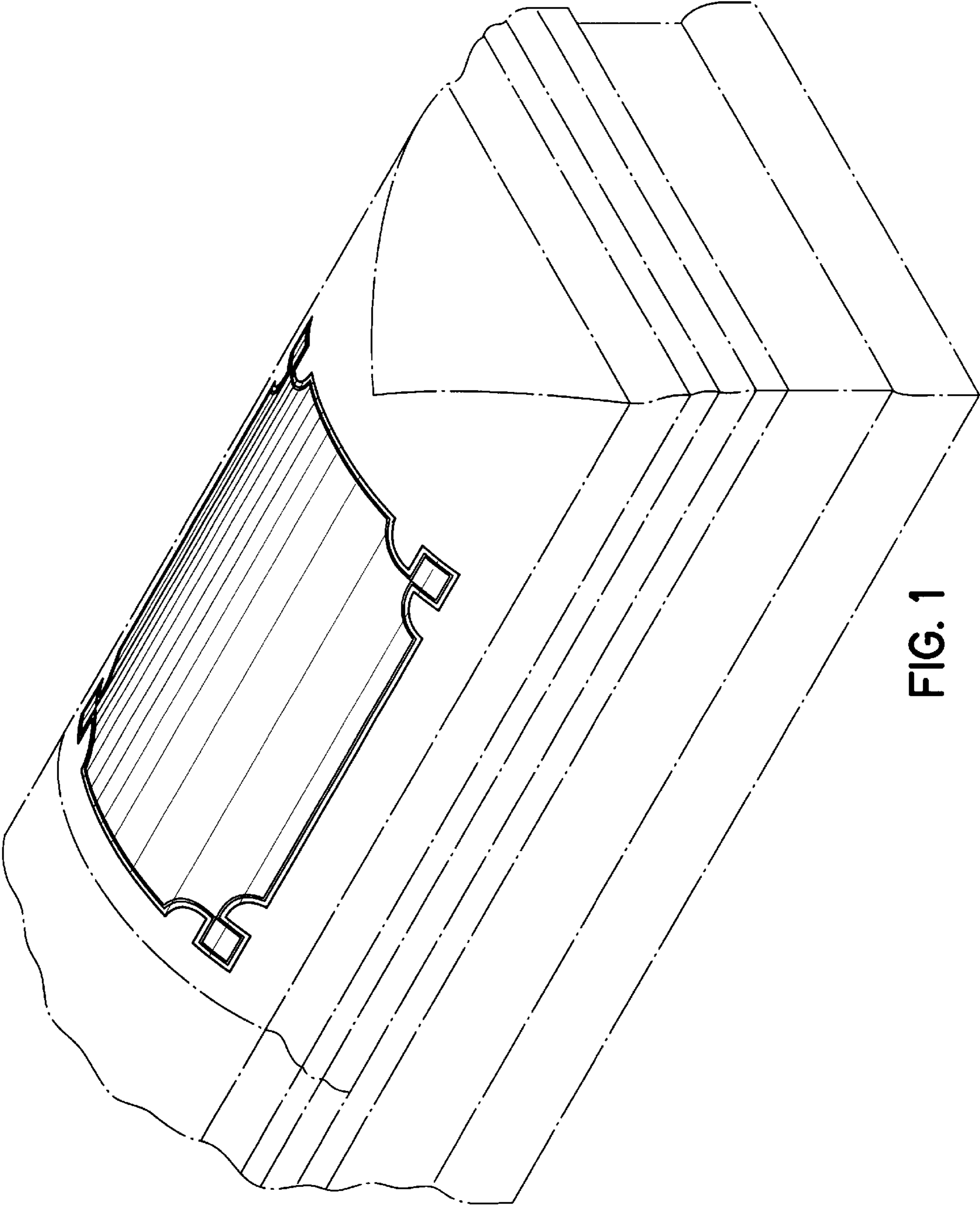


FIG. 1

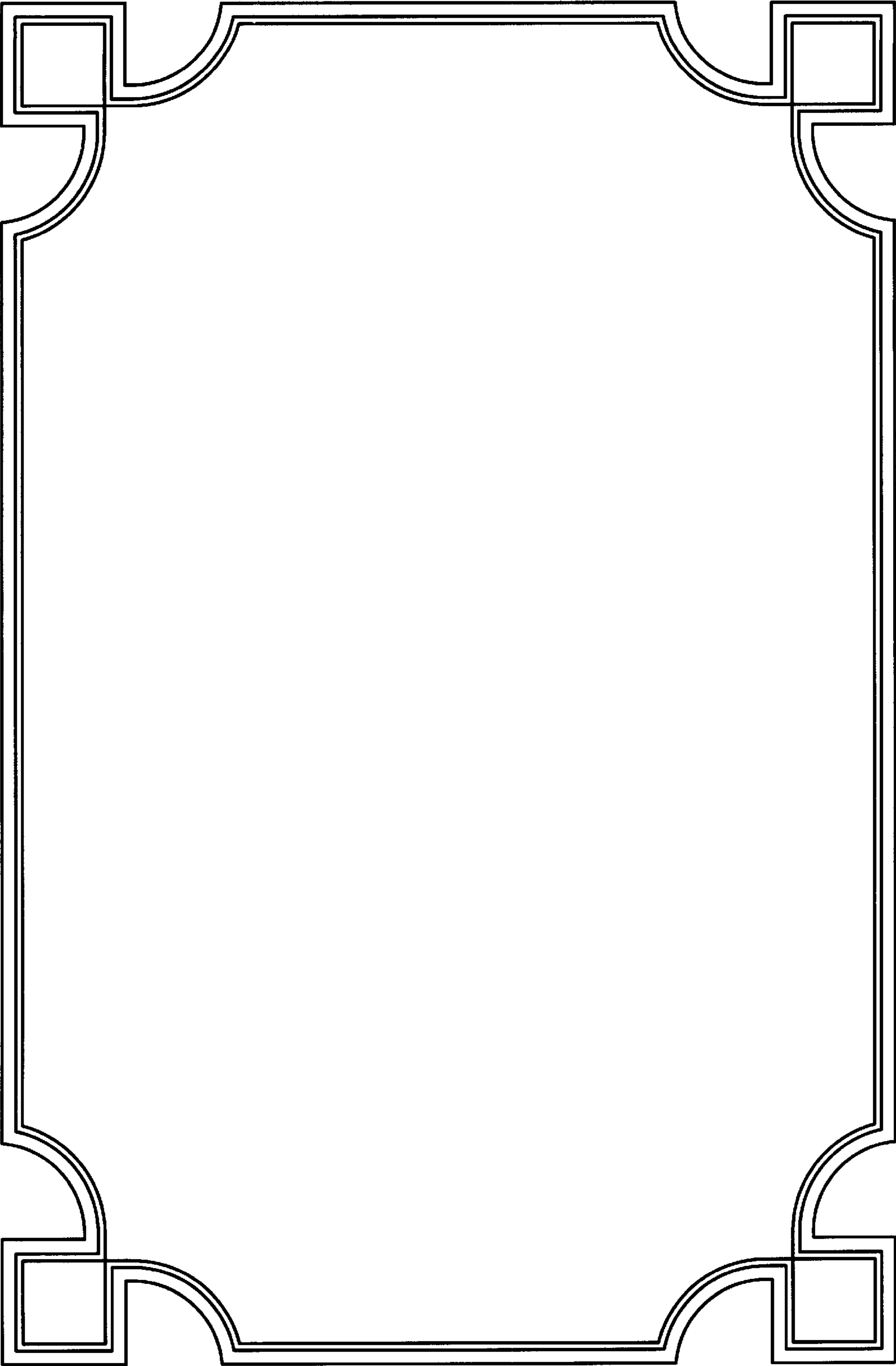


FIG. 2

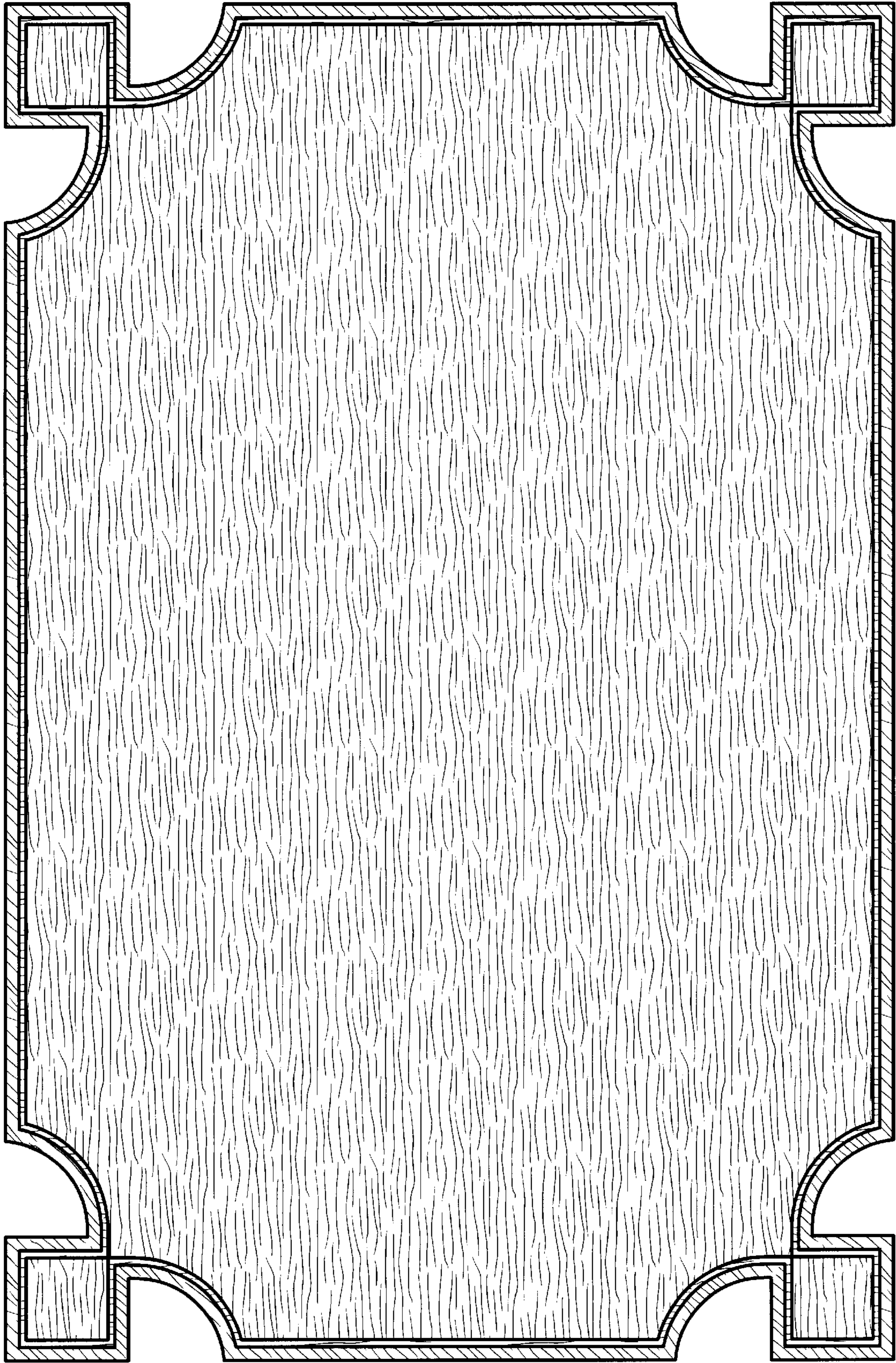


FIG. 3

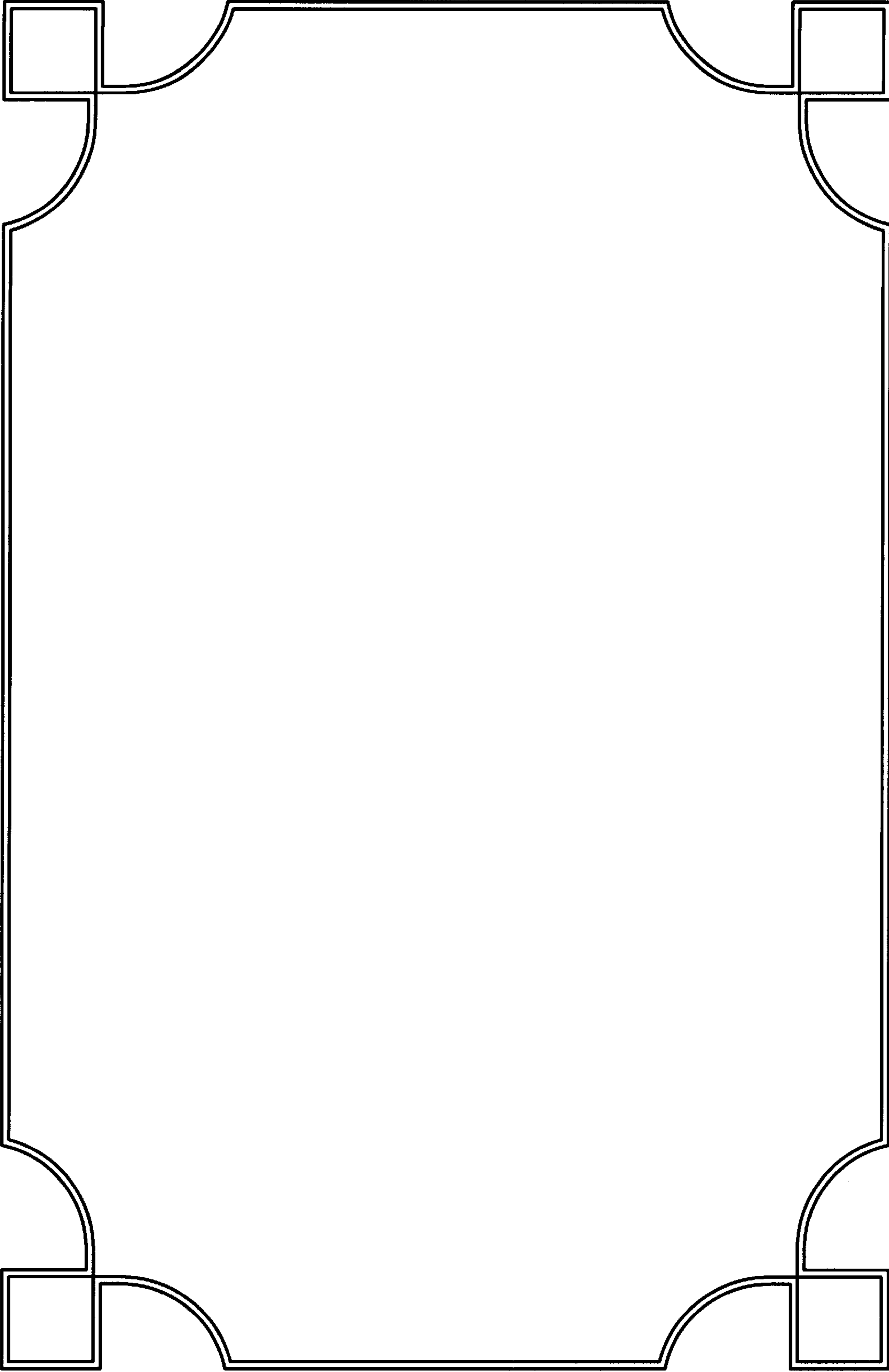


FIG. 4

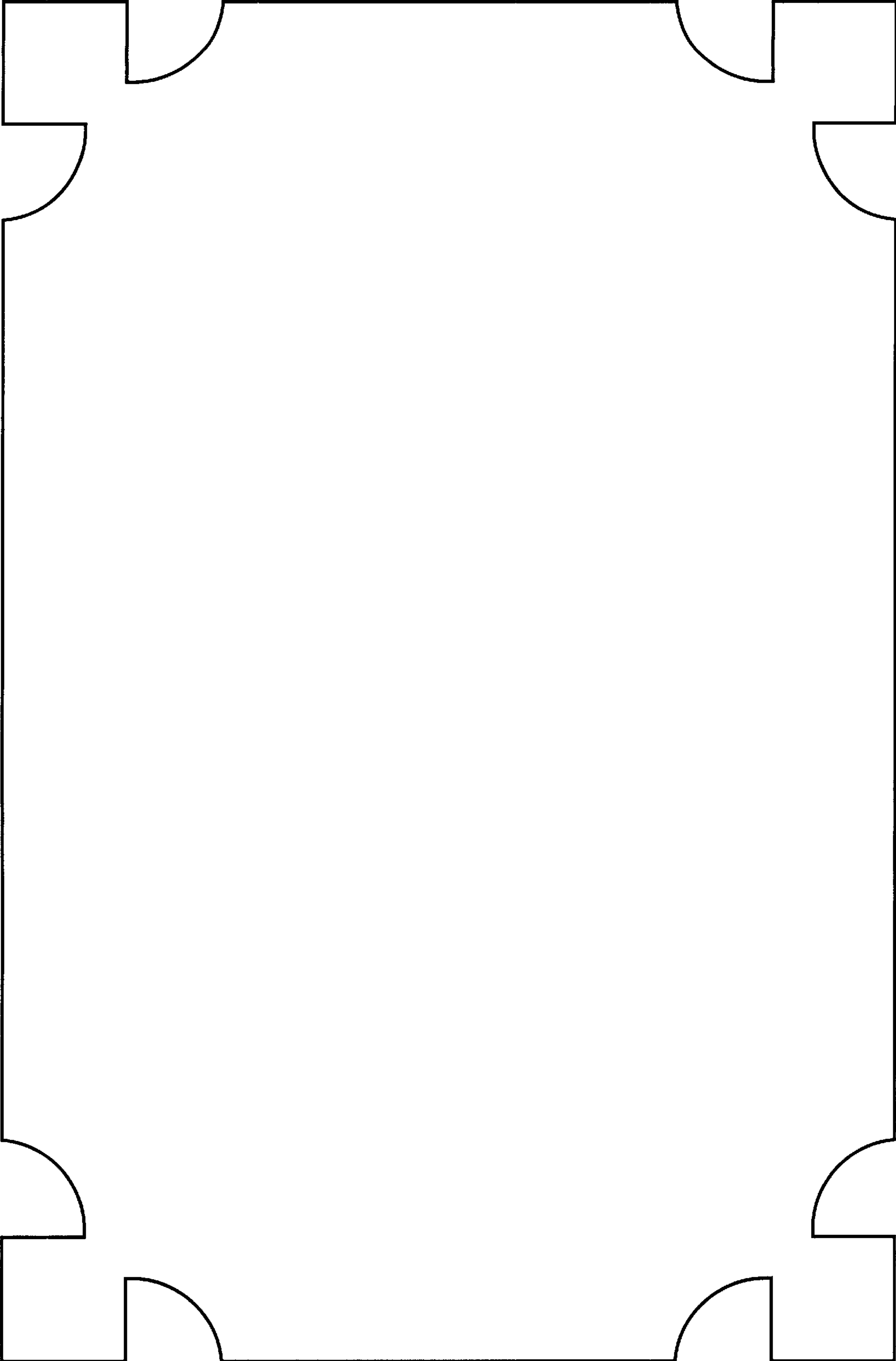


FIG. 5