

US00D497226S1

(12) **United States Design Patent** (10) **Patent No.:** **US D497,226 S**  
**Nauert** (45) **Date of Patent:** **\*\* Oct. 12, 2004**

(54) **HUMMINGBIRD FEEDER SHADE**

Aspects, Wild Bird Feeders Thermometers and Accessories, 2000, pp. 1-16.

(76) Inventor: **Uta Nauert**, 7460 N. River Rd., Milwaukee, WI (US) 53217

\* cited by examiner

(\*\*) Term: **14 Years**

(21) Appl. No.: **29/185,781**

*Primary Examiner*—Pamela Burgess

(22) Filed: **Jul. 2, 2003**

(74) *Attorney, Agent, or Firm*—Ziolkowski Patent Solutions Group, LLC

(51) **LOC (7) Cl.** ..... **30-99**

(57) **CLAIM**

(52) **U.S. Cl.** ..... **D30/199; D30/124; D3/5; D26/118; 119/57.9**

The ornamental design for a hummingbird feeder shade, as shown and described.

(58) **Field of Search** ..... D30/199, 124, D30/128, 121, 117; D26/118, 123-124; D3/5; 119/57.9, 63, 59, 72, 52.1, 52.2, 52.4, 459, 57.8; D7/387, 538, 391; 52/101, 741.3

**DESCRIPTION**

(56) **References Cited**

FIG. 1 is a perspective view of a hummingbird feeder shade in accordance with the present invention.

**U.S. PATENT DOCUMENTS**

FIG. 2 is a front elevational view of the hummingbird feeder shade of FIG. 1.

4,031,856 A	6/1977	Chester	
4,102,308 A	7/1978	Kilham	
4,821,681 A	4/1989	Tucker	
4,901,673 A	2/1990	Overstreet	
5,191,857 A	3/1993	Boaz	
5,628,277 A	5/1997	Machado	
5,893,335 A	4/1999	Goodwin	
D428,537 S	* 7/2000	Miller	..... D30/124
D429,852 S	8/2000	Hogarty	
6,269,769 B1	8/2001	Wenstrand	
6,561,128 B1	* 5/2003	Carter	..... 119/57.9

FIG. 3 is a rear elevation view of the hummingbird feeder shade of FIG. 1.

FIG. 4 is a right side elevational view of the hummingbird feeder shade of FIG. 1.

FIG. 5 is a top plan view of the hummingbird feeder shade of FIG. 1; and,

FIG. 6 is a bottom plan view of the hummingbird feeder shade of FIG. 1 .

**OTHER PUBLICATIONS**

The broken lines shown in all figures are for illustrative purposes only and form no part of the claimed design.

Perkey Pet Brand Hummingbird Feeder, no date, pp. 1-5.  
Hummingbird Feeders, Hummingbirds.net, no date, pp. 1-8.  
Wild Birds Unlimited, Your Backyard Bird Feeding Hobby Guide, no date, pp. 1-8.

**1 Claim, 4 Drawing Sheets**

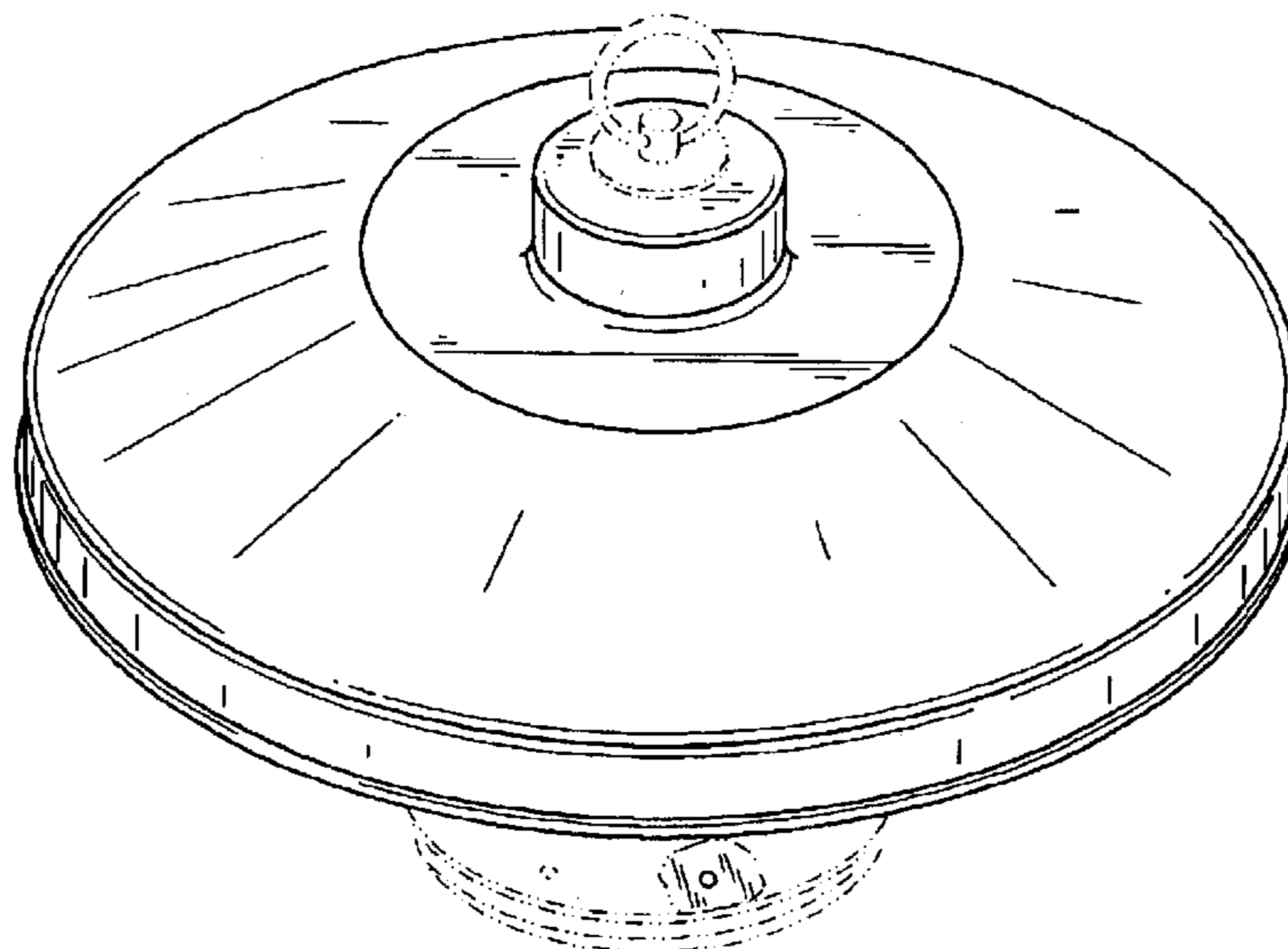


FIG. 1

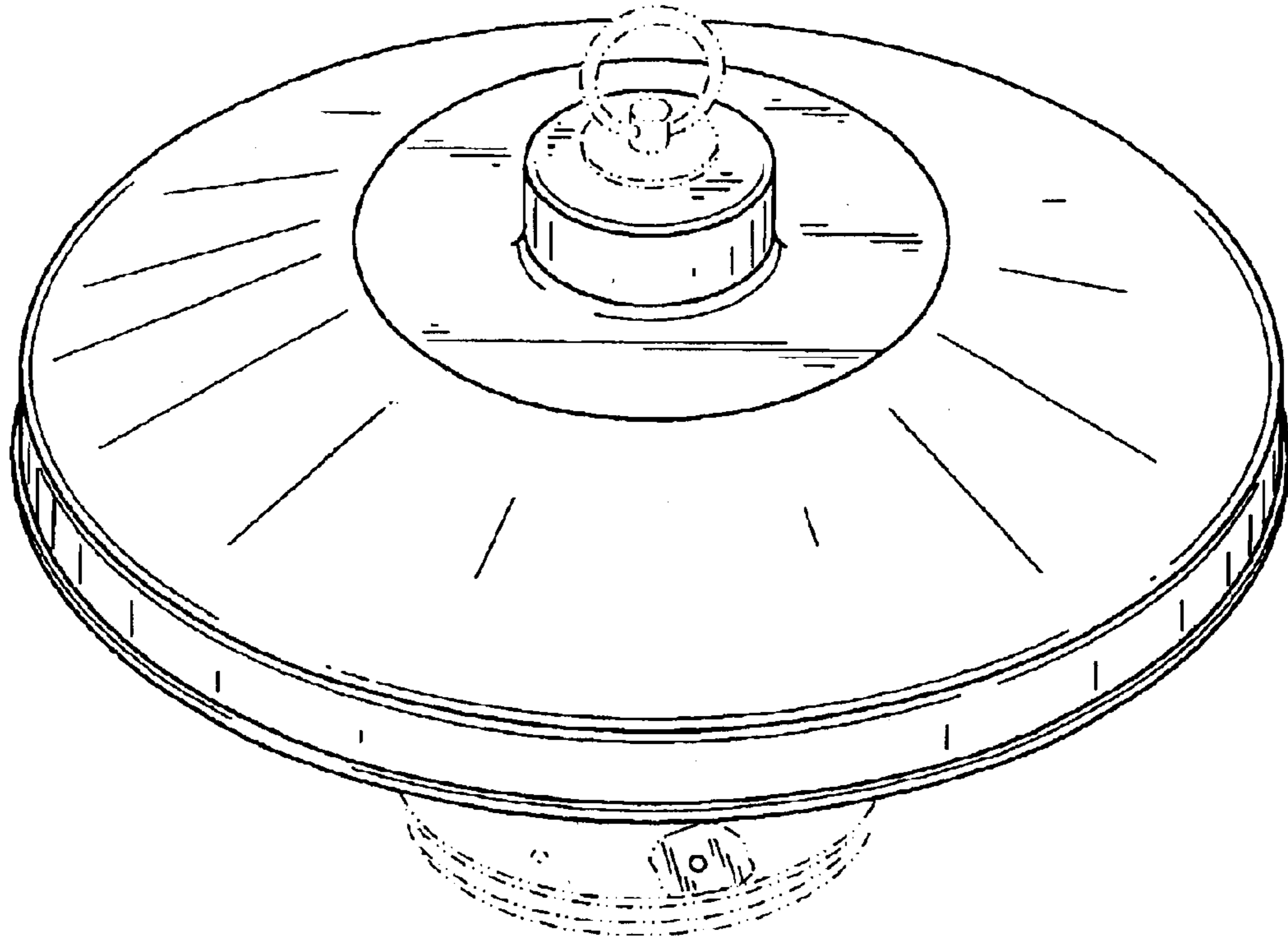
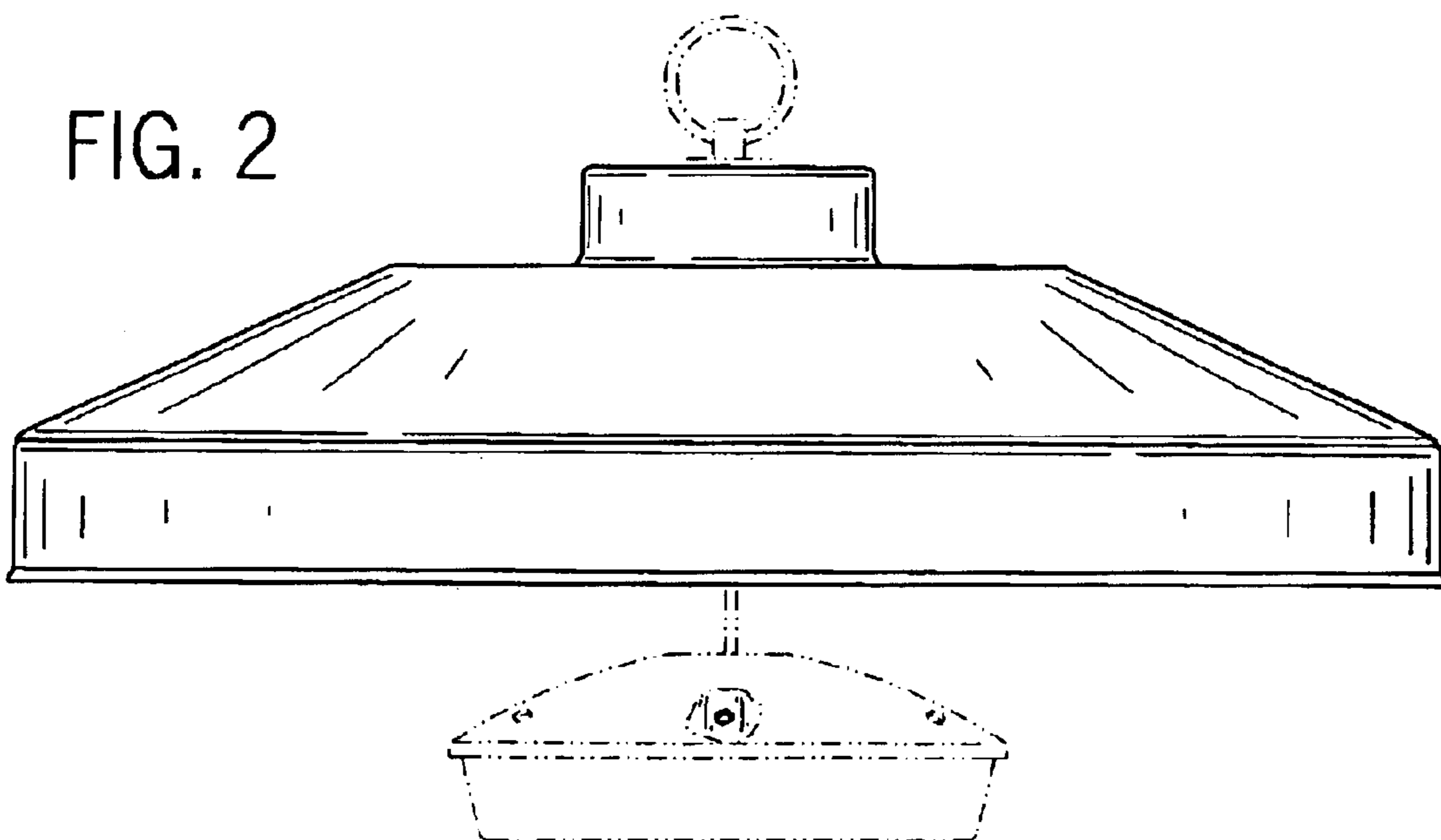


FIG. 2



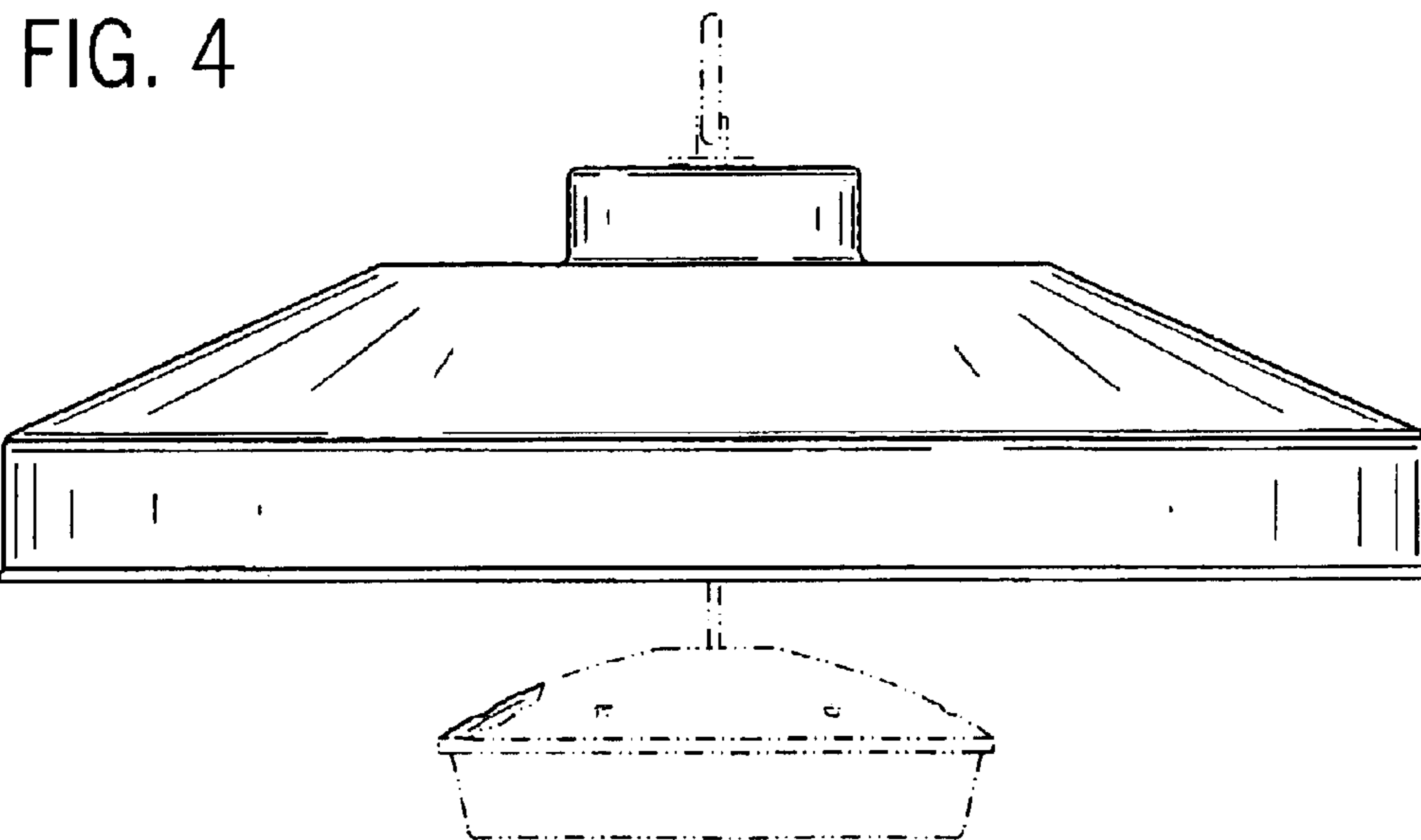
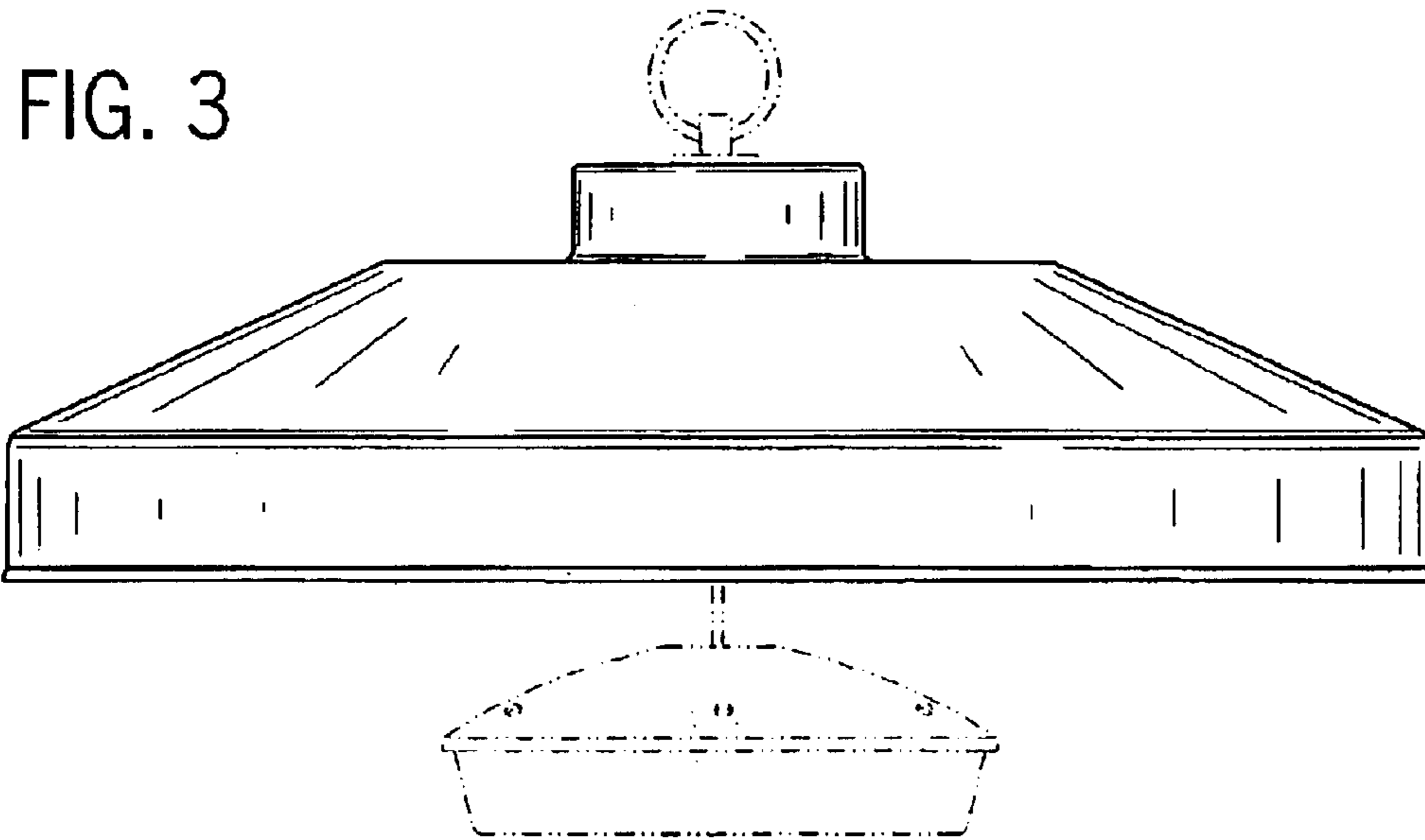


FIG. 5

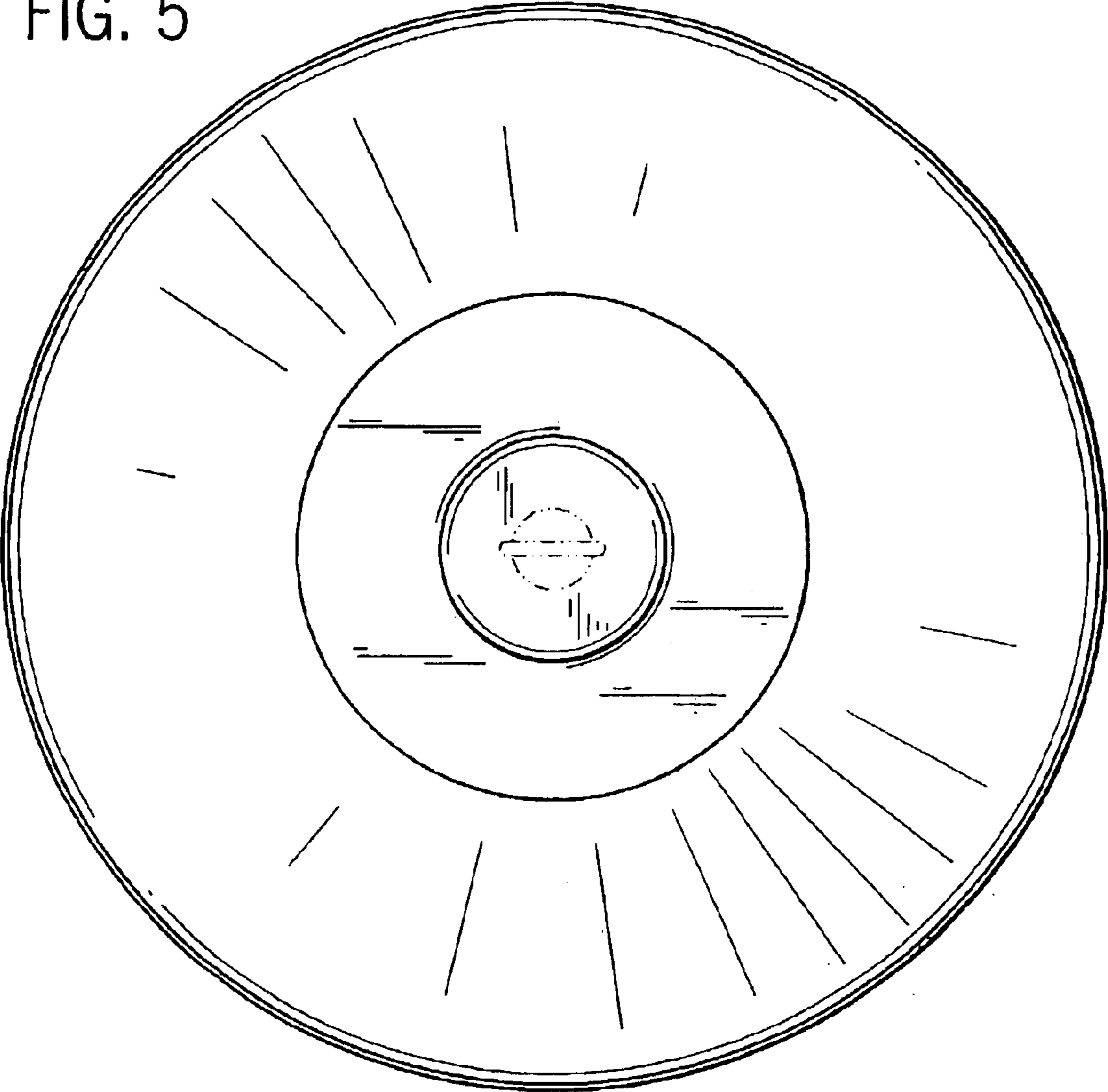


FIG. 6

