

US00D497224S1

(12) **United States Design Patent**
Remy

(10) **Patent No.:** **US D497,224 S**

(45) **Date of Patent:** **** Oct. 12, 2004**

(54) **INSECT-RESISTANT PET FEEDING DEVICE**

D383,797 S * 9/1997 Finnegan D30/132
5,730,082 A 3/1998 Newman 119/51.5
D406,926 S * 3/1999 Kolozsvari D30/132

(76) **Inventor:** **Jon Remy**, 212 Collins Ave., Balboa
Island, CA (US) 92662

* cited by examiner

(**) **Term:** **14 Years**

Primary Examiner—Pamela Burgess
(74) *Attorney, Agent, or Firm*—Goldstein Law Offices P.C.

(21) **Appl. No.:** **29/195,566**

(22) **Filed:** **Dec. 12, 2003**

(57) **CLAIM**

(51) **LOC (7) Cl.** **30-07**

The ornamental design for an insect-resistant pet feeding device, as shown and described.

(52) **U.S. Cl.** **D30/121; D30/130**

DESCRIPTION

(58) **Field of Search** D30/121, 129–133;
119/51.5, 61, 71–72, 74, 77, 51.11, 52.1

FIG. 1 is a diagrammatic perspective view of an insect-resistant pet feeding device.

(56) **References Cited**

FIG. 2 is a front elevational view thereof.

U.S. PATENT DOCUMENTS

FIG. 3 is a rear elevational view thereof.

- 4,128,080 A * 12/1978 Haney 119/51.5
- 4,357,905 A 11/1982 Carpenter 119/61
- D316,382 S * 4/1991 Lorenzana et al. D11/164
- 5,245,948 A 9/1993 McClellan 119/51.5
- 5,564,362 A * 10/1996 Fiveash 119/51.5

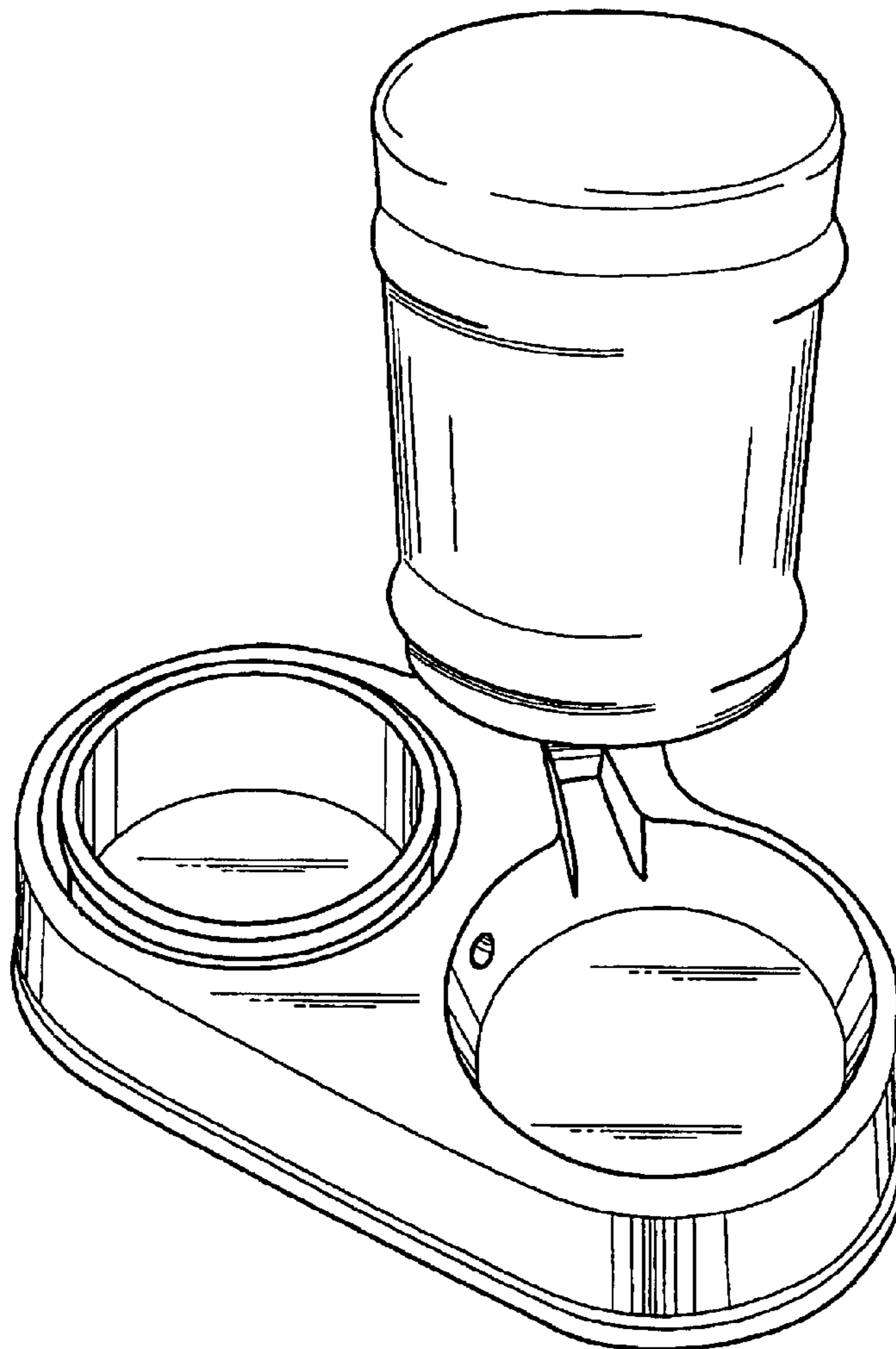
FIG. 4 is a right side elevational view thereof.

FIG. 5 is a left side elevational view thereof.

FIG. 6 is a top plan view thereof; and,

FIG. 7 is a bottom plan view thereof.

1 Claim, 4 Drawing Sheets



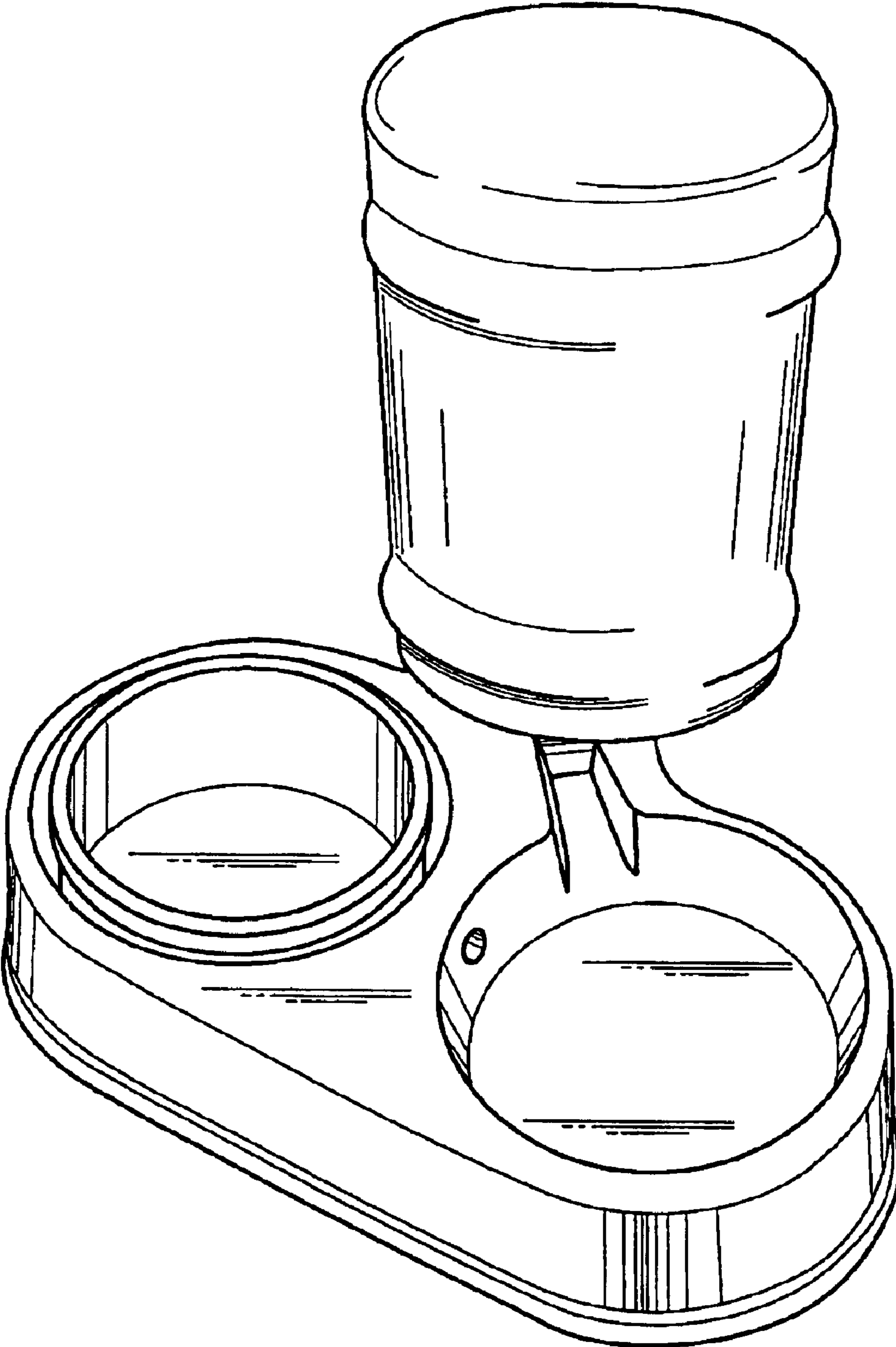


FIG. 1

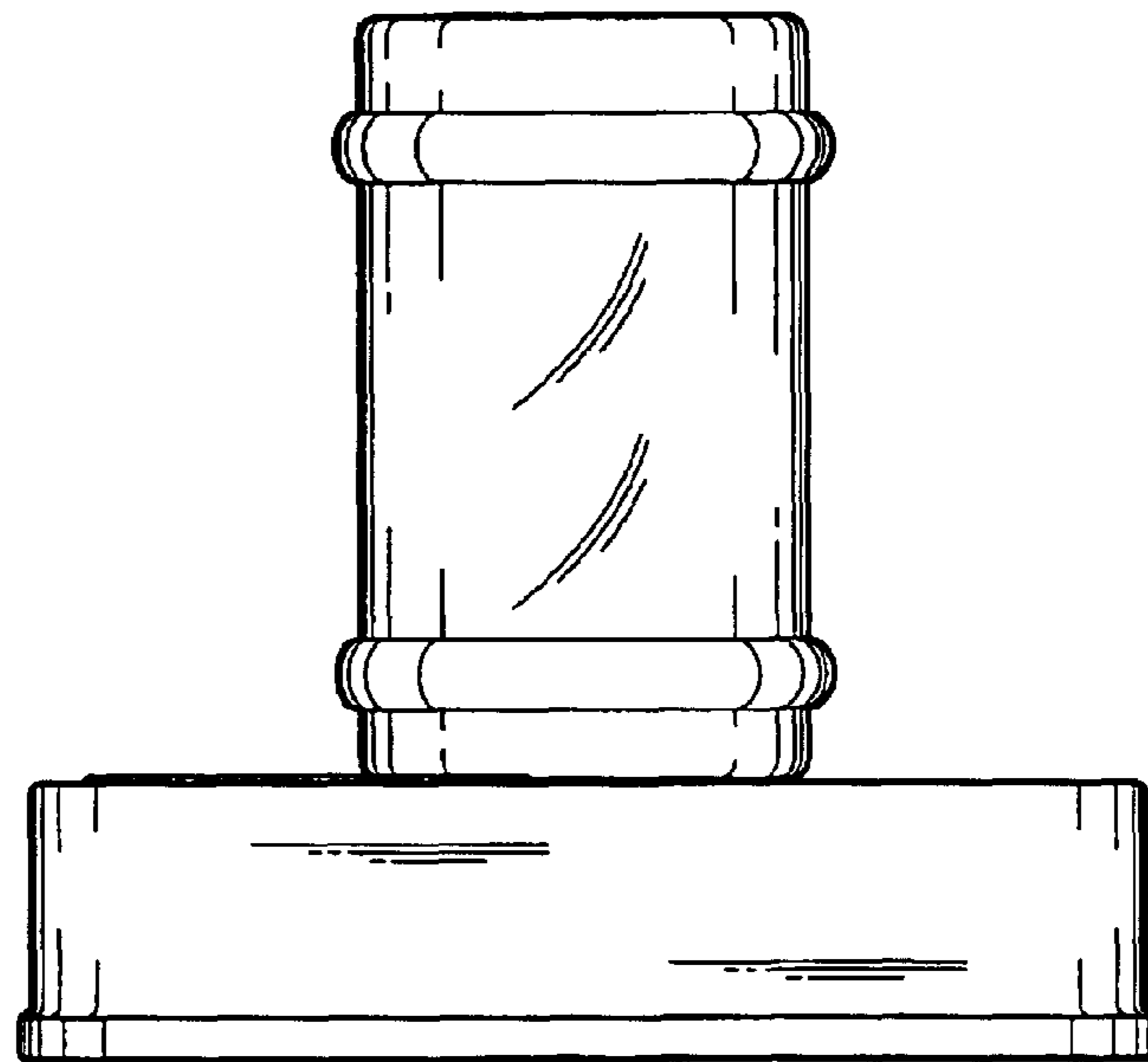


FIG. 2

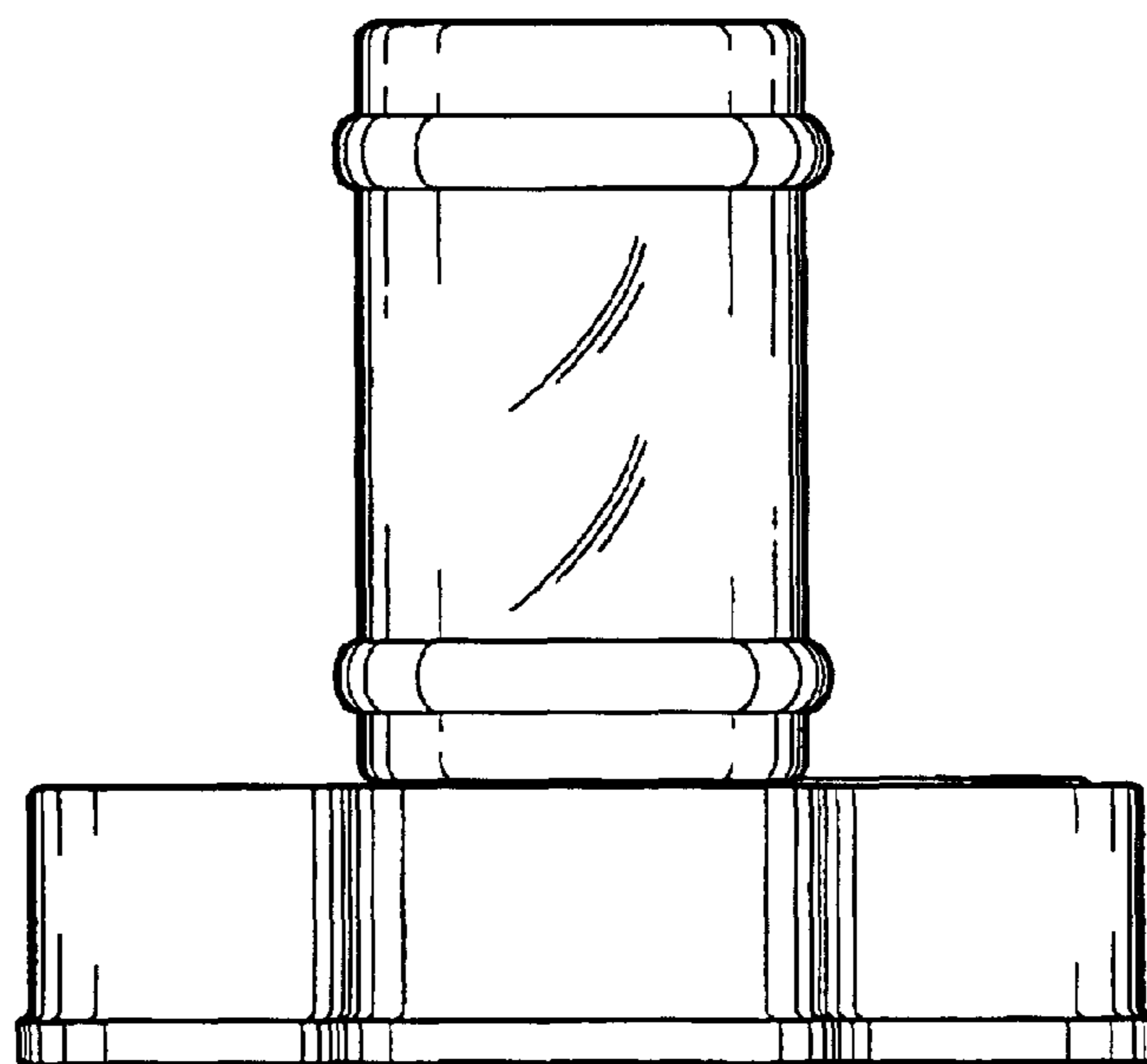


FIG. 3

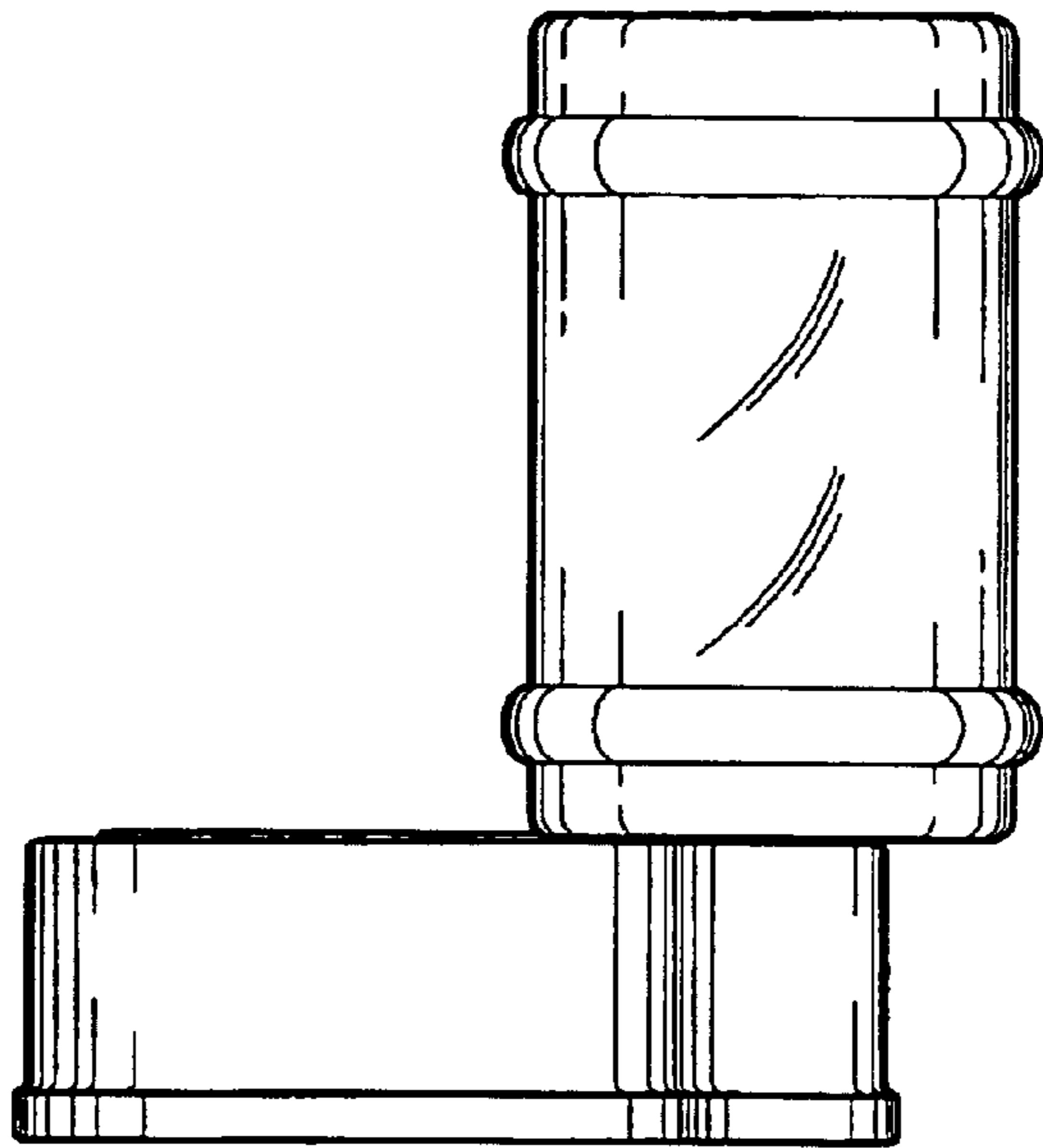


FIG. 4

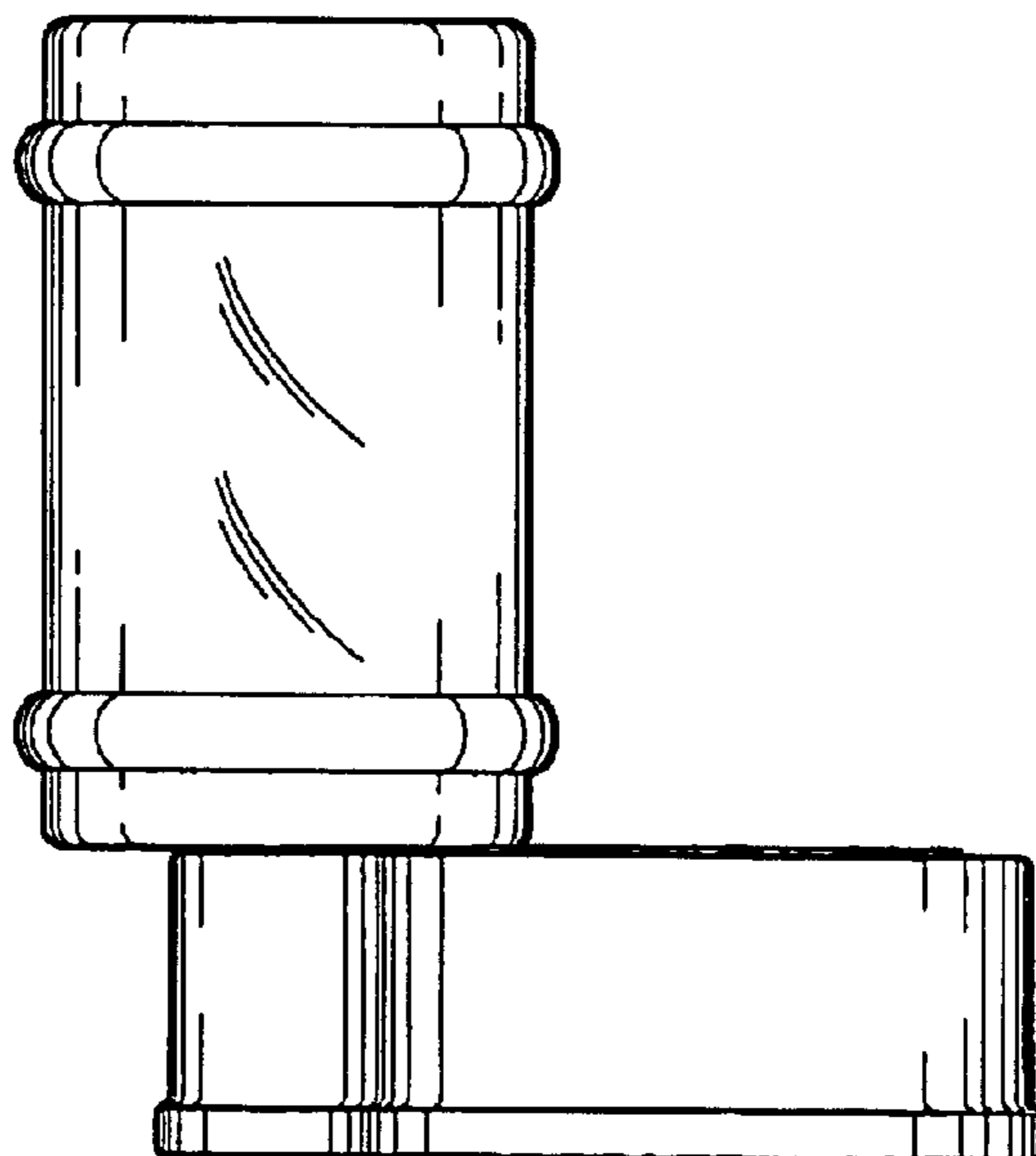


FIG. 5

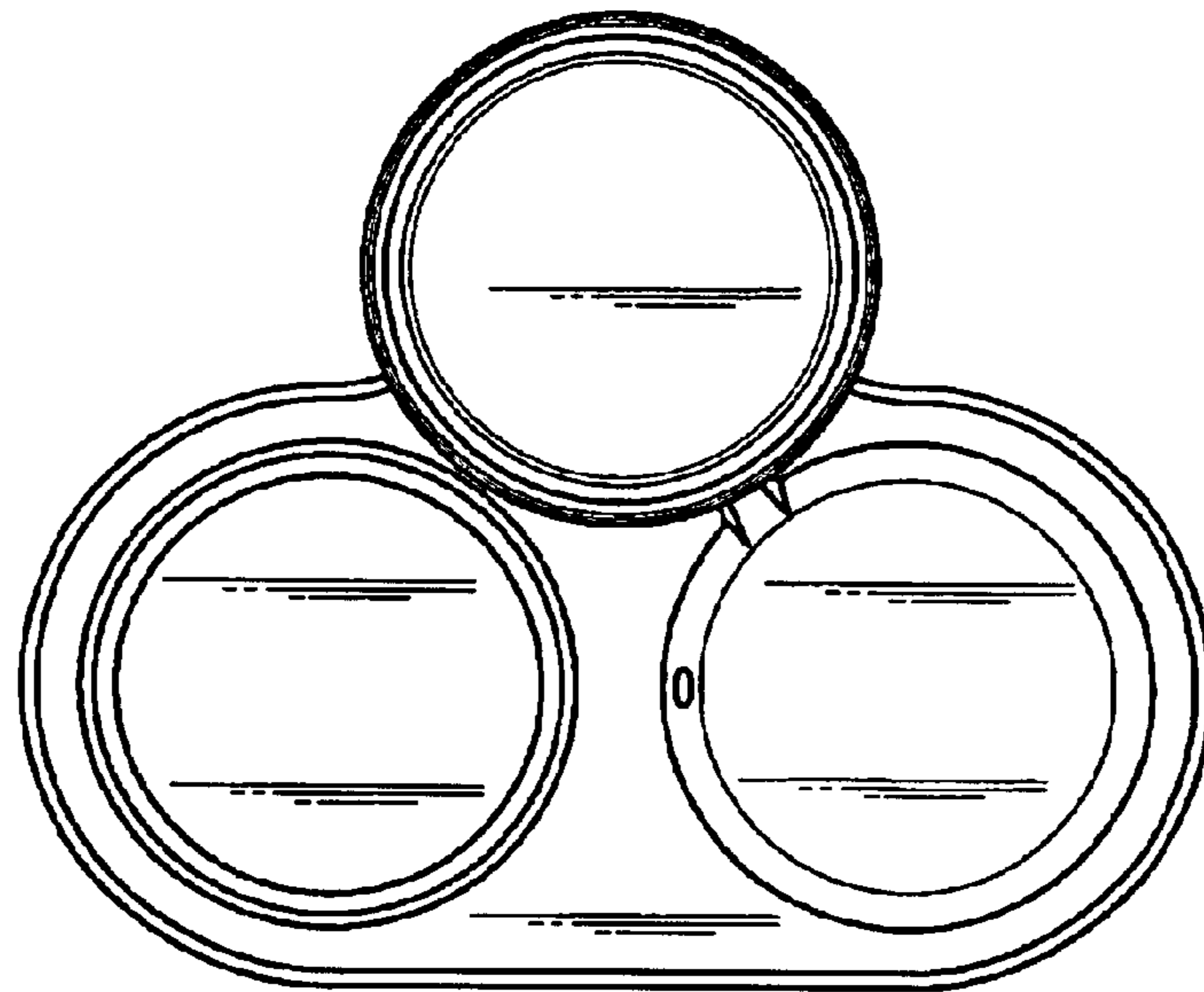


FIG. 6

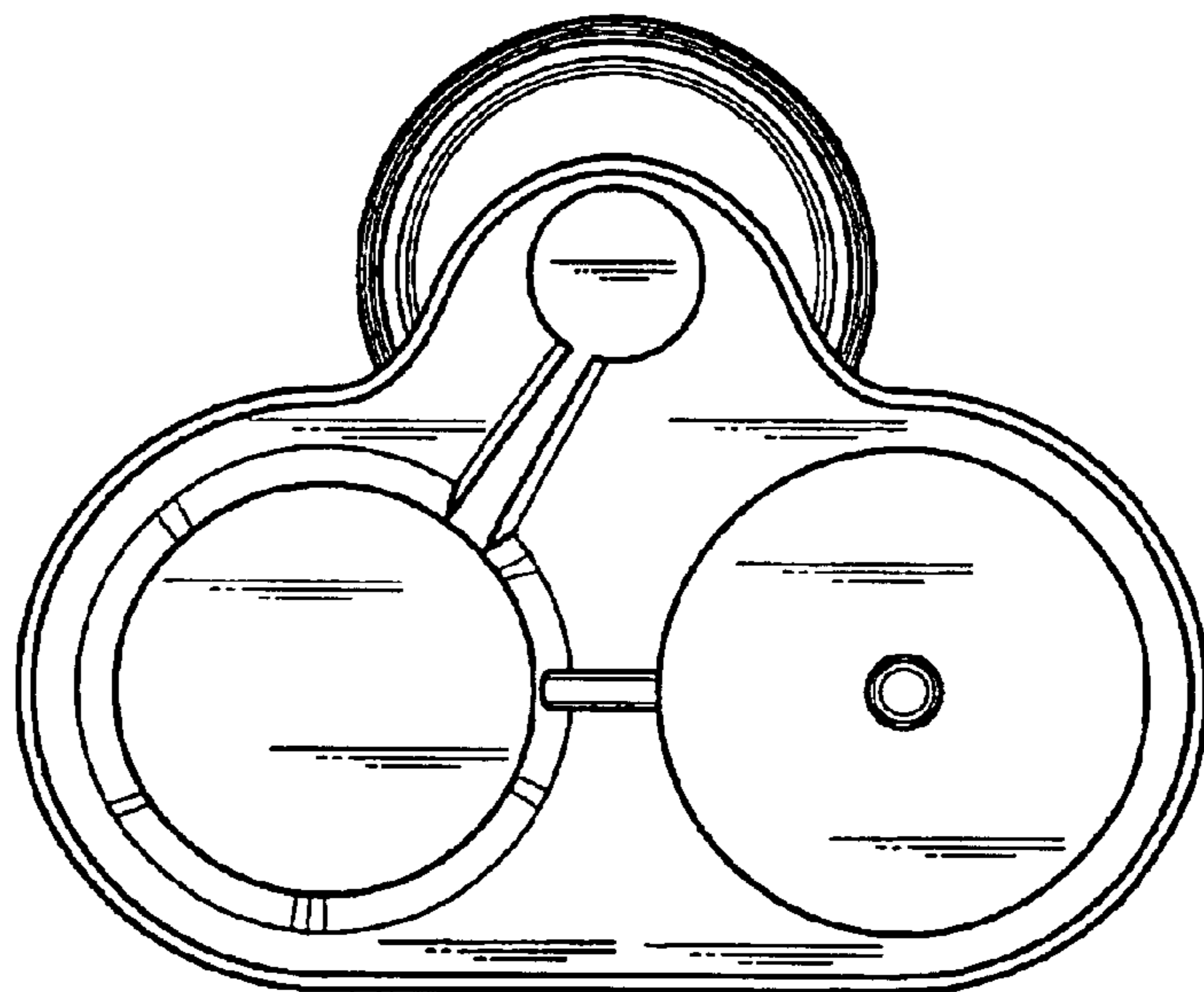


FIG. 7