

US00D497220S1

(12) **United States Design Patent**
Torkiya

(10) **Patent No.:** **US D497,220 S**

(45) **Date of Patent:** **** Oct. 12, 2004**

(54) **NAIL BUFFER**

D475,808 S * 6/2003 Jancik D28/59

(76) **Inventor:** **Adi Torkiya**, 8920 Santa Fe Trail,
Celina, TX (US) 75009

* cited by examiner

(**) **Term:** **14 Years**

Primary Examiner—Jennifer Rivard

(74) *Attorney, Agent, or Firm*—Rudolf O. Siegesmund

(21) **Appl. No.:** **29/191,630**

(57) **CLAIM**

(22) **Filed:** **Oct. 10, 2003**

The ornamental design for the nail buffer, as shown and described.

(51) **LOC (7) Cl.** **28-03**

(52) **U.S. Cl.** **D28/59**

(58) **Field of Search** D28/56, 57, 59,
D28/62; 132/73, 73.5, 74.5, 75.8, 76.4;
D24/147

DESCRIPTION

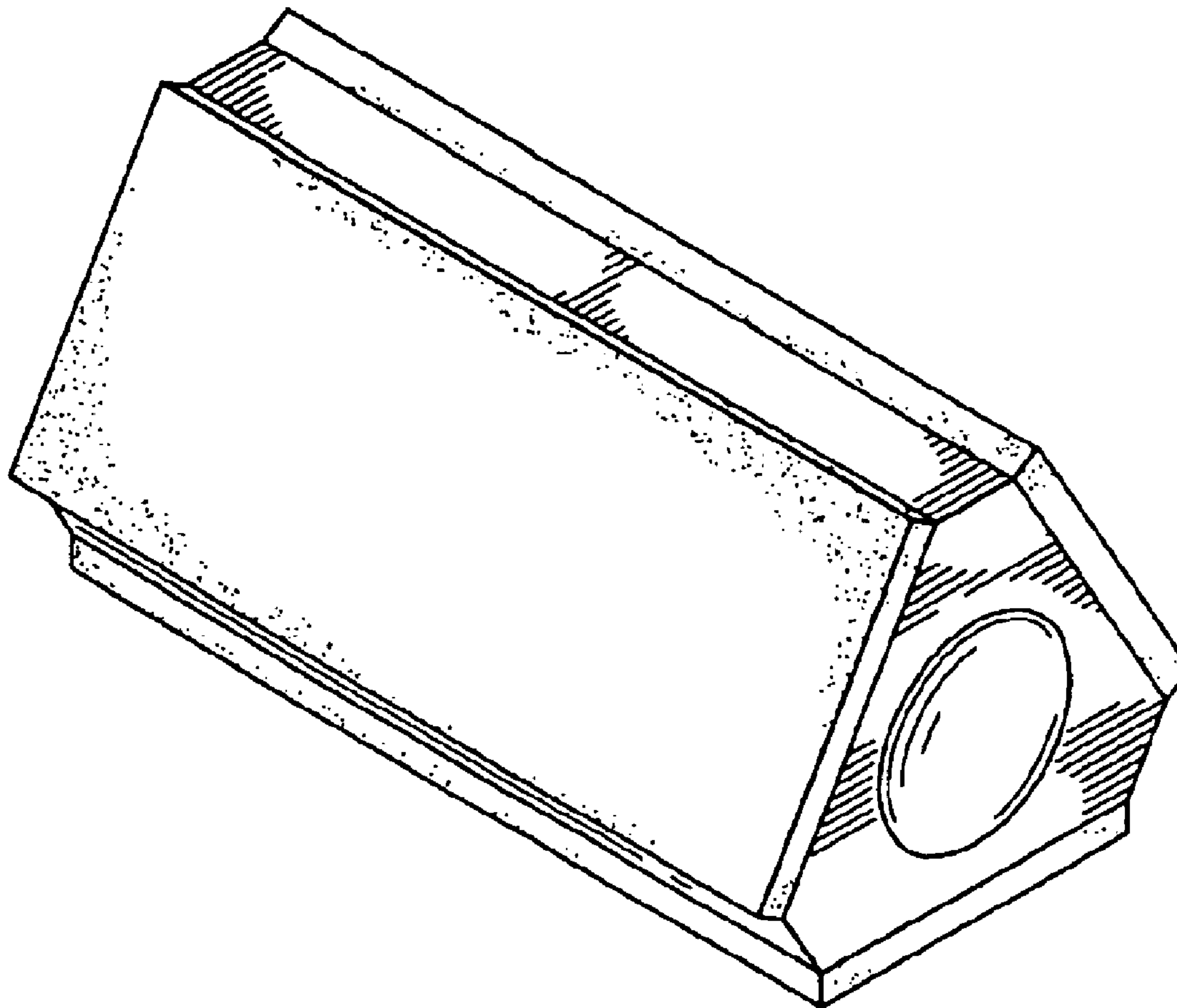
FIG. 1 is a perspective view of the nail buffer.
FIG. 2 is a left view of the nail buffer.
FIG. 3 is a right view of the nail buffer.
FIG. 4 is a front view of the nail buffer.
FIG. 5 is a rear view of the nail buffer.
FIG. 6 is a top view of the nail buffer; and,
FIG. 7 is a bottom view of the nail buffer.

(56) **References Cited**

U.S. PATENT DOCUMENTS

5,899,210 A * 5/1999 Letherby et al. 132/76.4
D416,648 S 11/1999 Letherby et al. D28/56
D467,389 S 12/2002 Torkiya D28/59

1 Claim, 2 Drawing Sheets



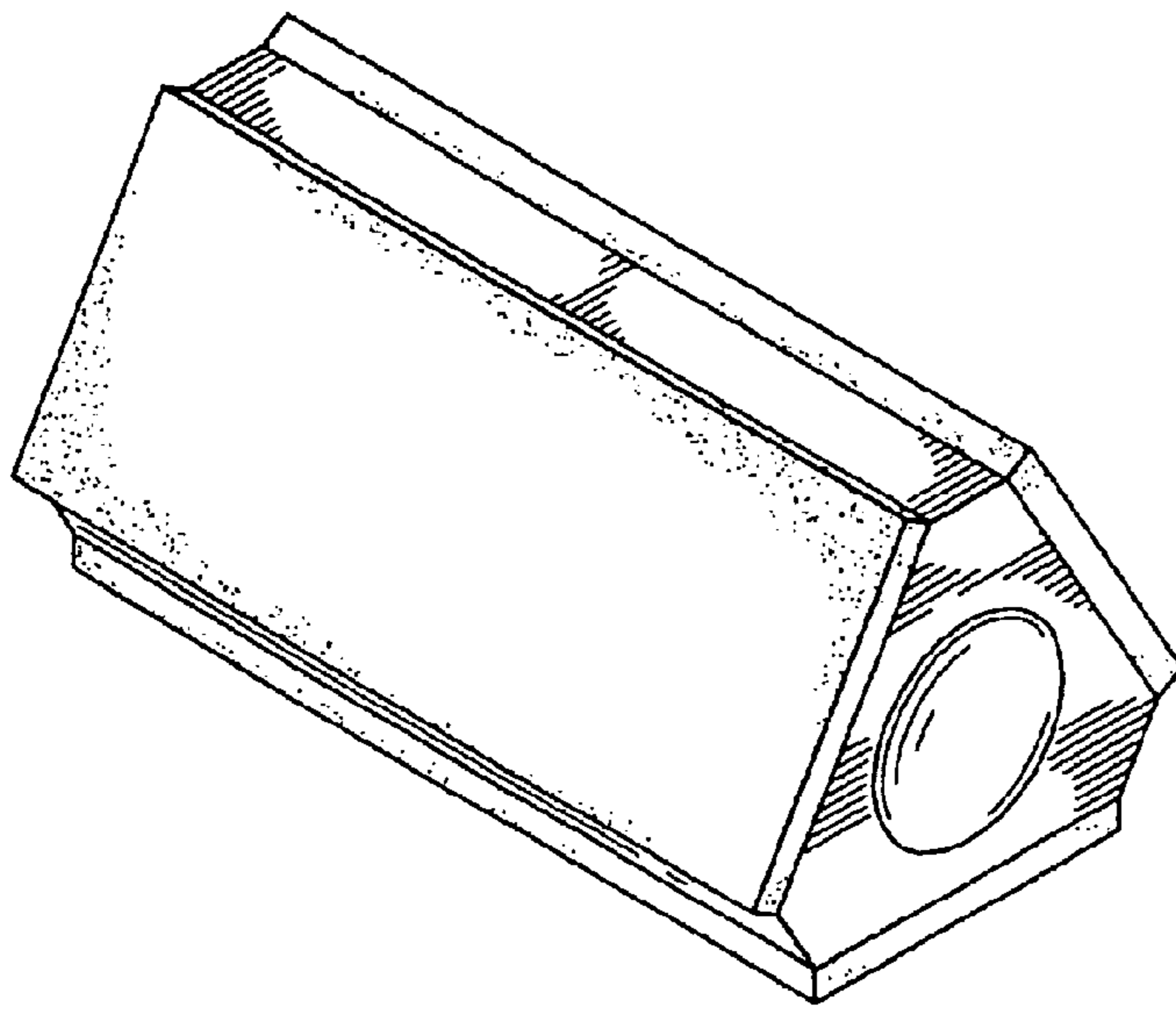


FIG. 1

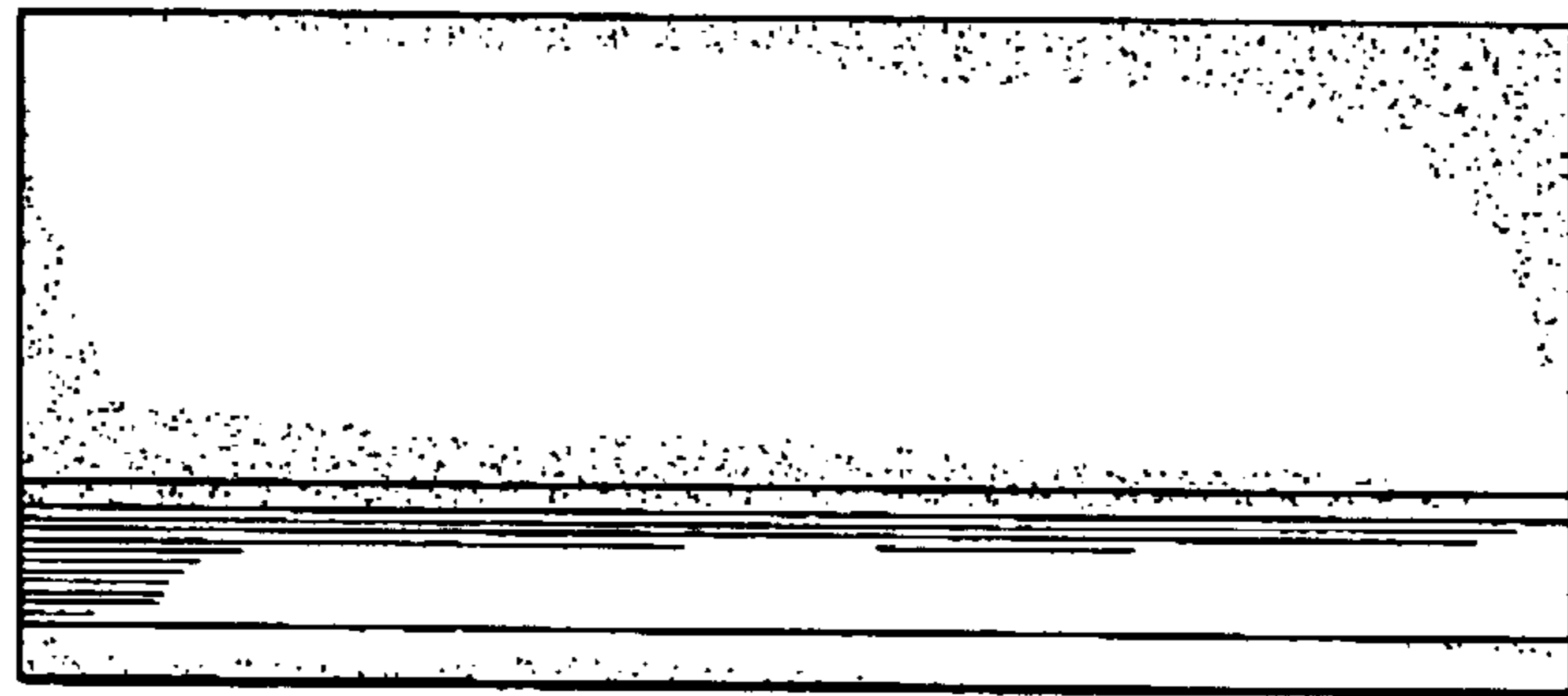


FIG. 2

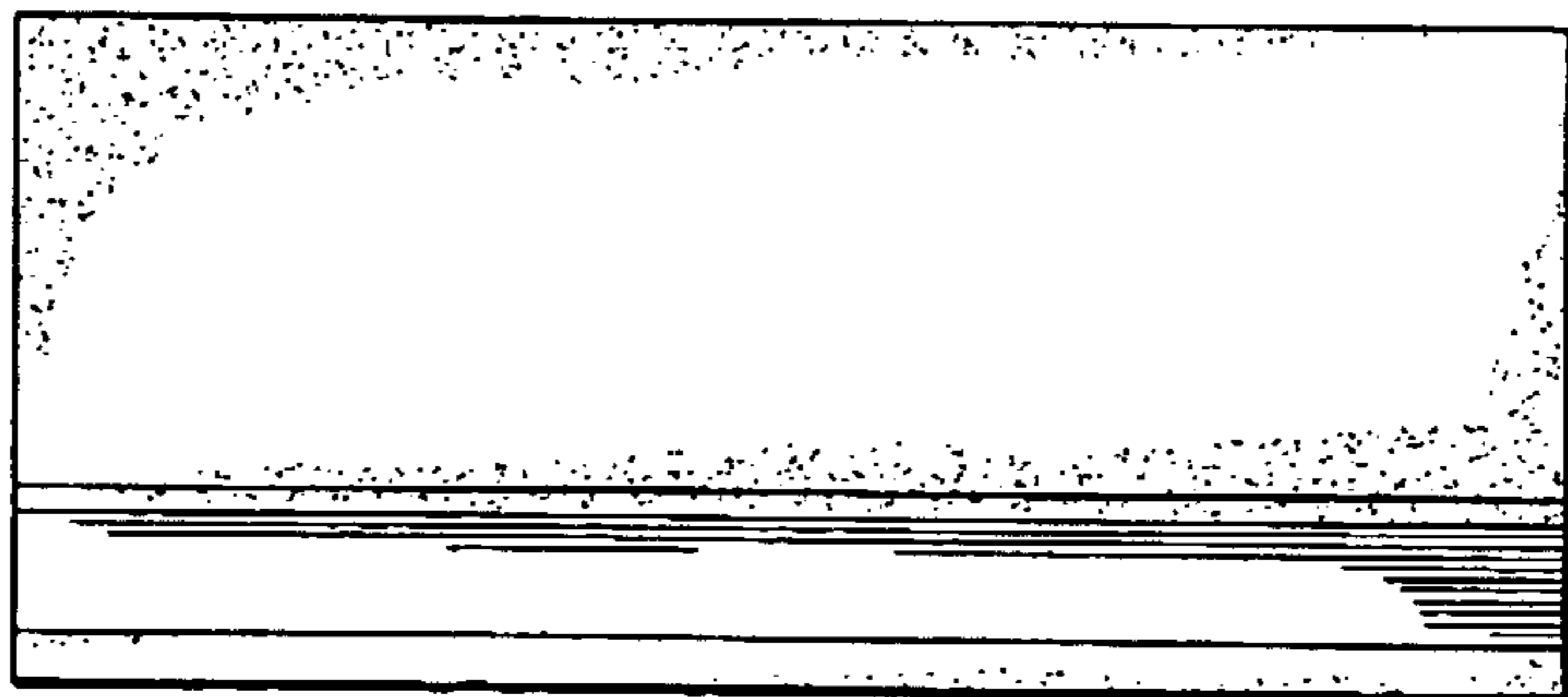


FIG. 3

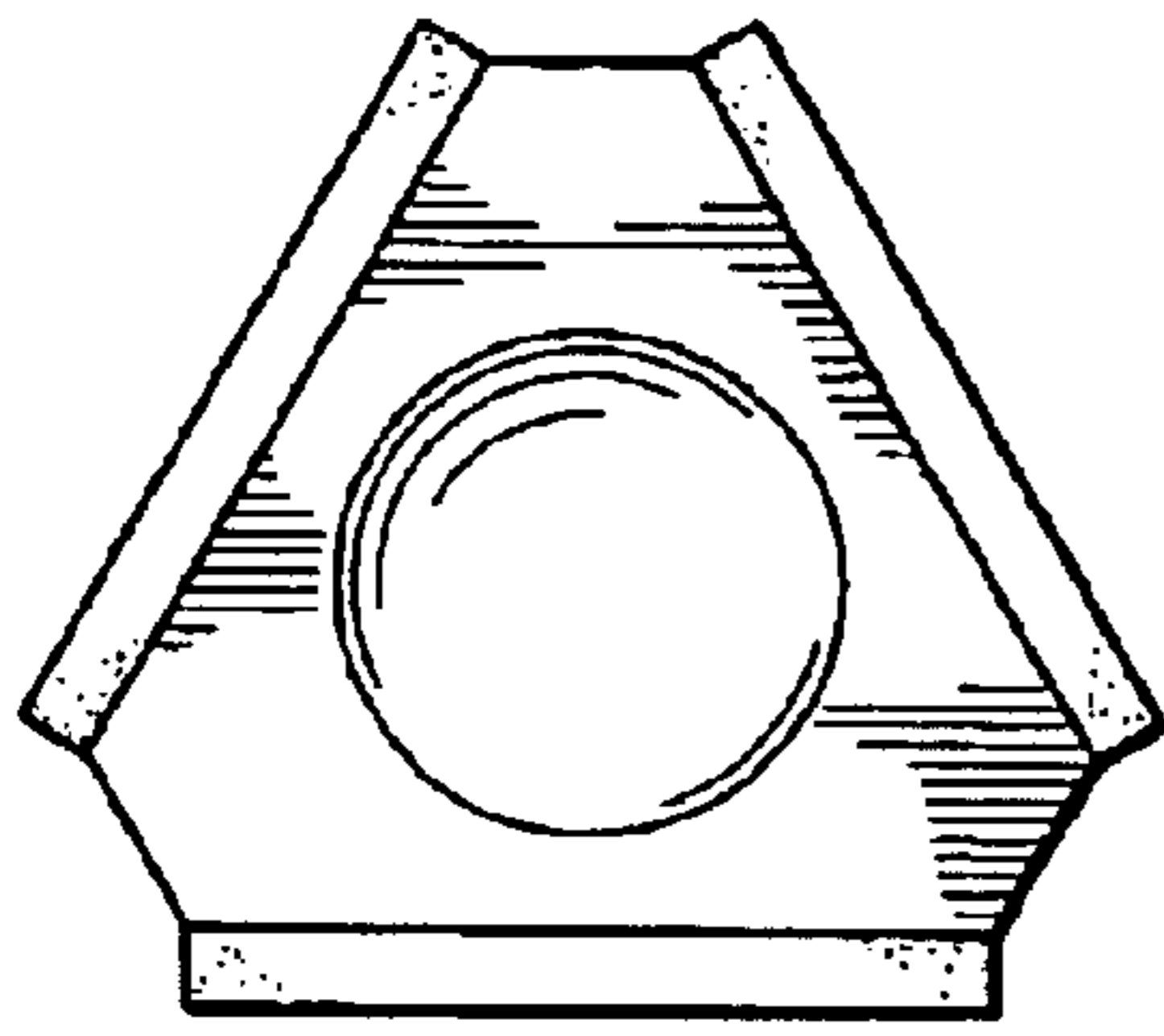


FIG. 4

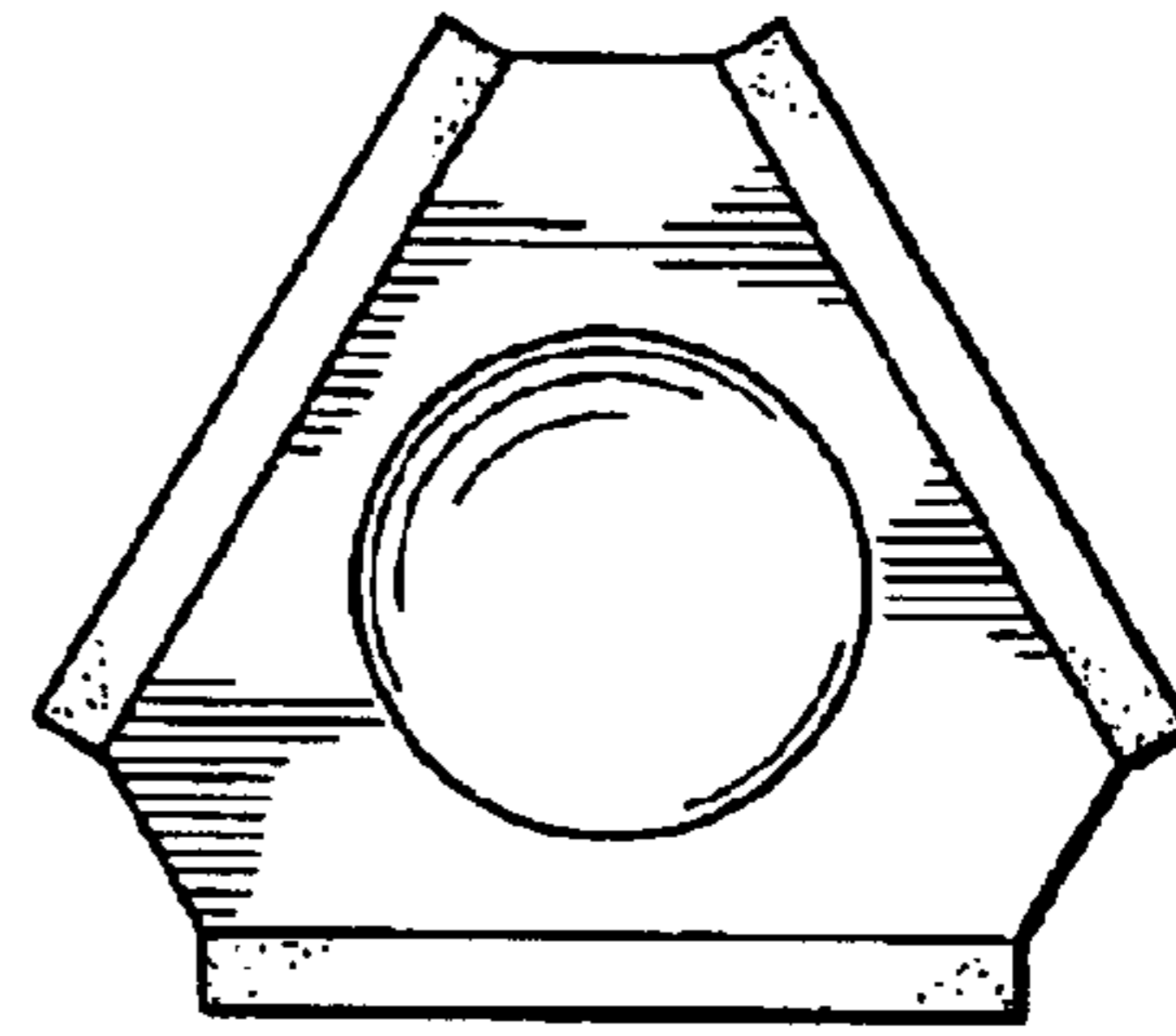


FIG. 5

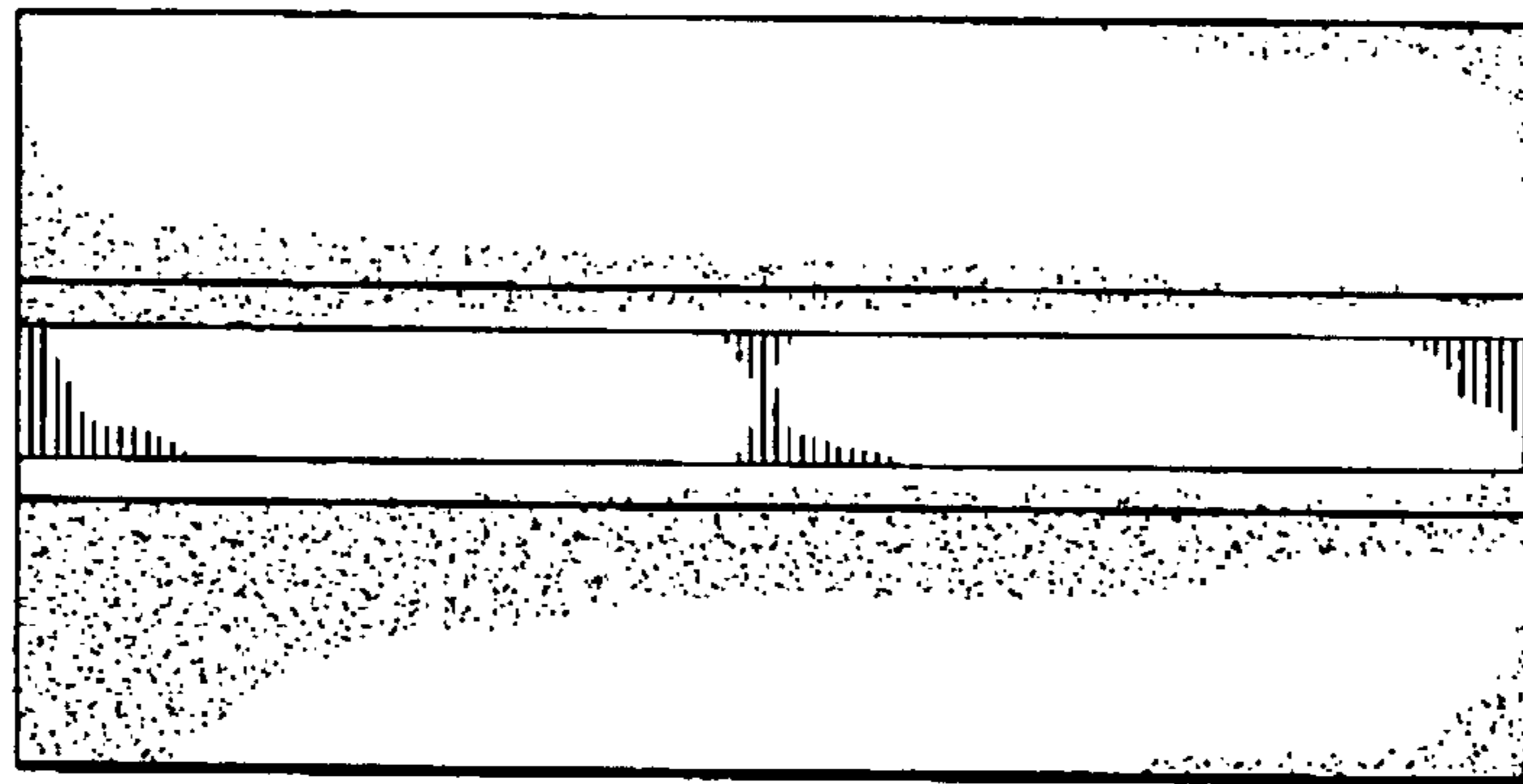


FIG. 6

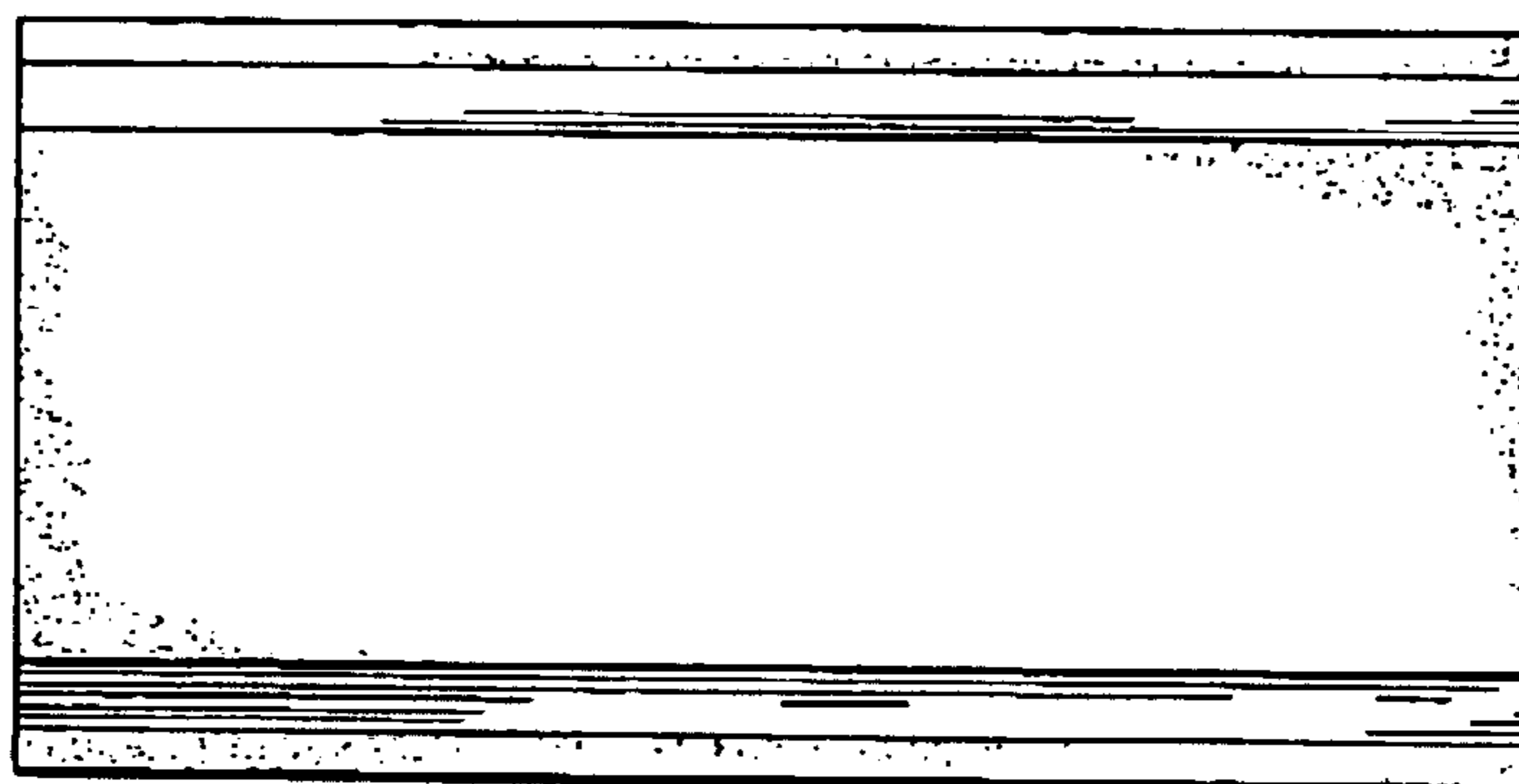


FIG. 7