

US00D497219S1

(12) **United States Design Patent**  
**Branden**

(10) **Patent No.:** **US D497,219 S**  
(45) **Date of Patent:** **\*\* Oct. 12, 2004**

(54) **BLADE**

6,519,856 B1 \* 2/2003 Dischler ..... 30/48

(76) **Inventor:** **Christopher Richard Branden**, 4 Silk  
Oaks Dr., Ormond Beach, FL (US)  
32176

\* cited by examiner

*Primary Examiner*—Jennifer Rivard  
(74) *Attorney, Agent, or Firm*—Michael L. Leetzow, P.A.

(\*\*) **Term:** **14 Years**

(57) **CLAIM**

(21) **Appl. No.:** **29/195,549**

The ornamental design for a blade, as shown and described.

(22) **Filed:** **Dec. 12, 2003**

**DESCRIPTION**

(51) **LOC (7) Cl.** ..... **28-03**

FIG. 1 is a perspective view of a blade showing my new design;

(52) **U.S. Cl.** ..... **D28/47**

FIG. 2 is a front view of the blade design shown in FIG. 1;

(58) **Field of Search** ..... D28/44-48; 30/48,  
30/50, 346.5, 346.51, 346.53, 346.55, 346.57,  
346.58, 346.59, 346.6

FIG. 3 is a back view of the blade design shown in FIG. 1;  
FIG. 4 is a left side view of the blade design shown in FIG. 1;

(56) **References Cited**

FIG. 5 is a right side view of the blade design shown in FIG. 1; and,

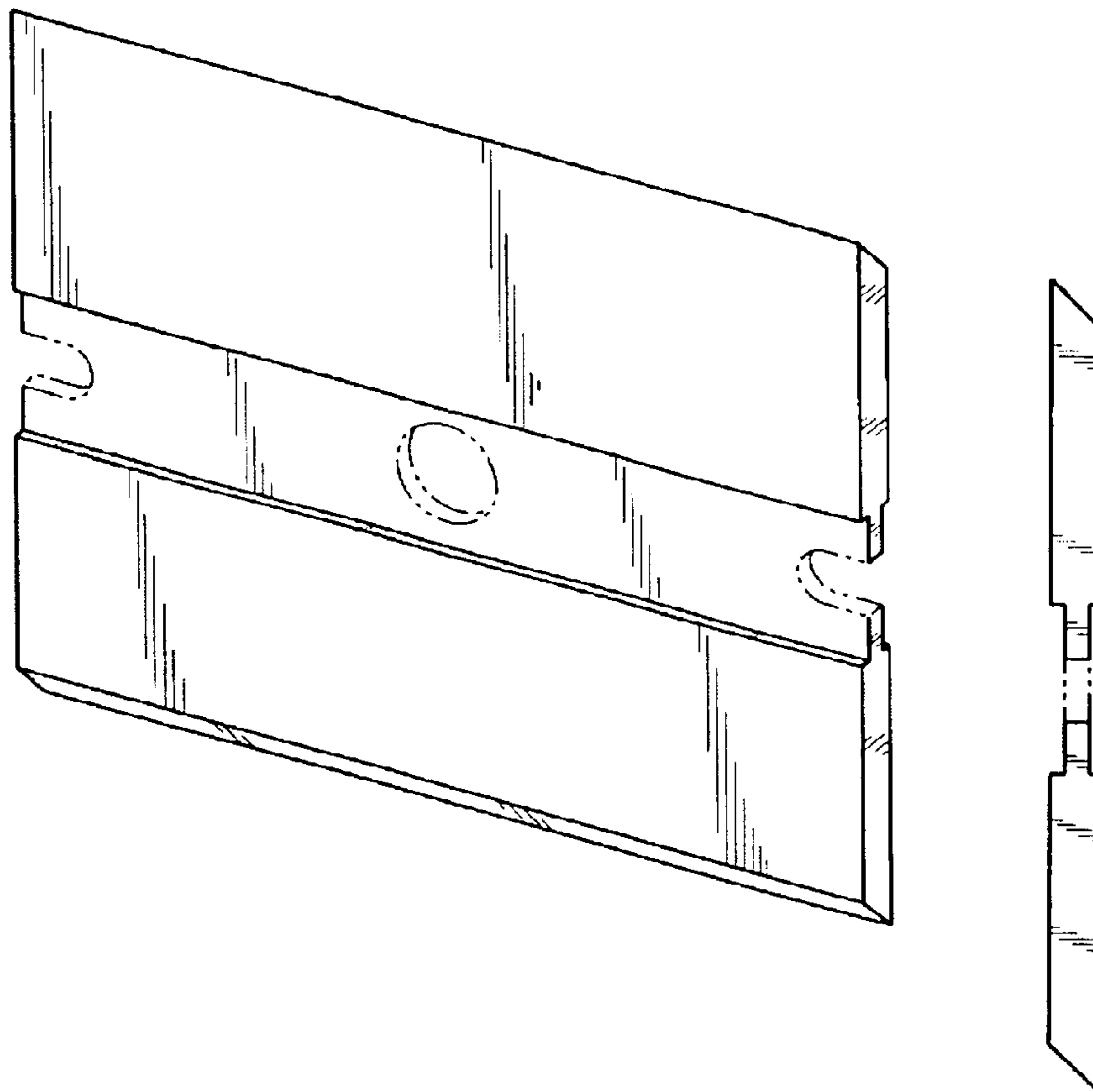
**U.S. PATENT DOCUMENTS**

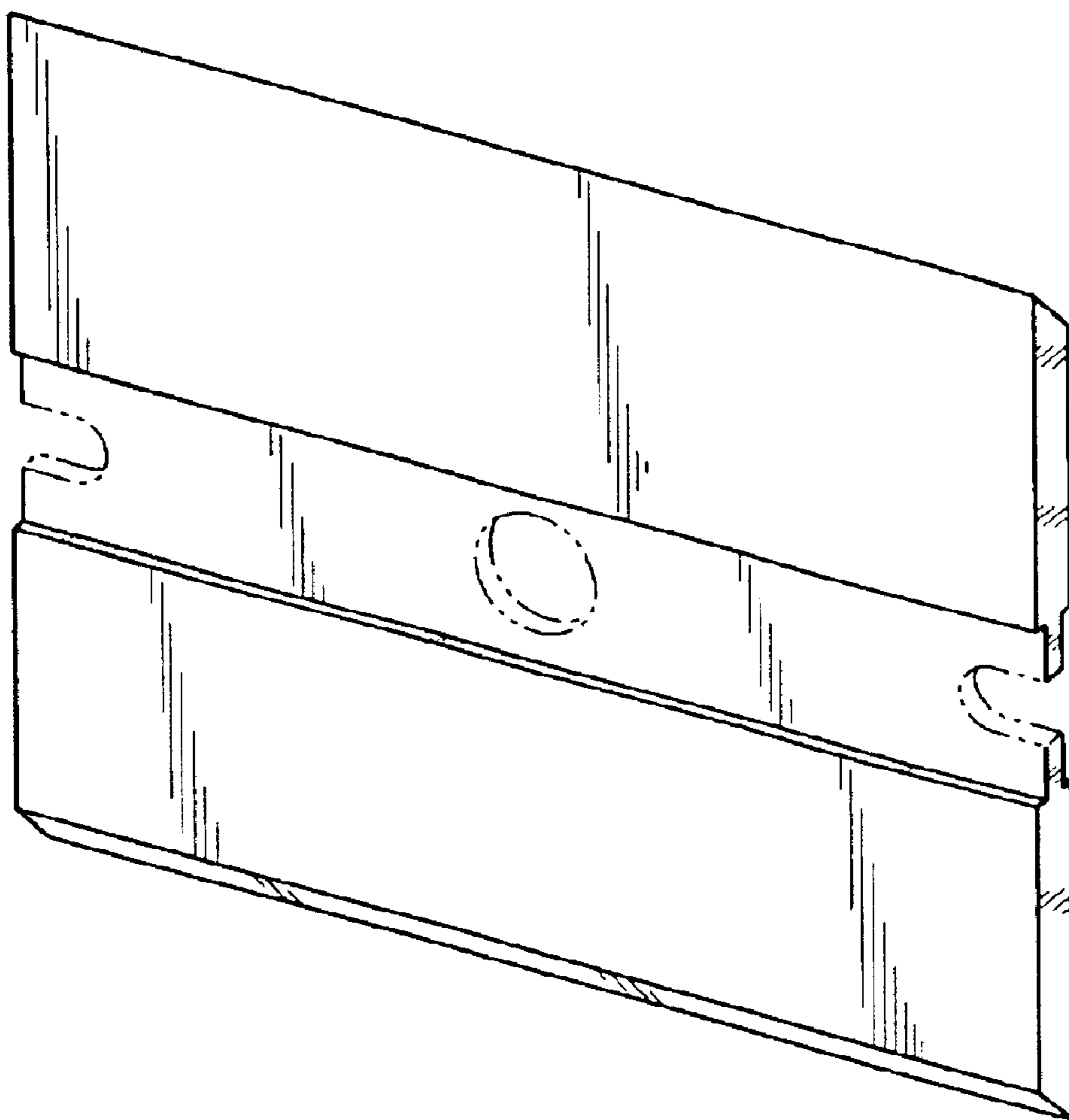
FIG. 6 is a top view of the blade design shown in FIG. 1, the bottom view being a mirror image.

794,934 A	*	7/1905	Gaylor	.....	30/48
2,408,790 A	*	10/1946	Mack	.....	30/346.55
3,654,701 A		4/1972	Hastings, Sr.	.....	26/21
4,860,452 A		8/1989	Guarnacia et al.	.....	30/346.6
5,771,589 A	*	6/1998	Kim	.....	30/346.58
D449,709 S	*	10/2001	Arey	.....	D28/45

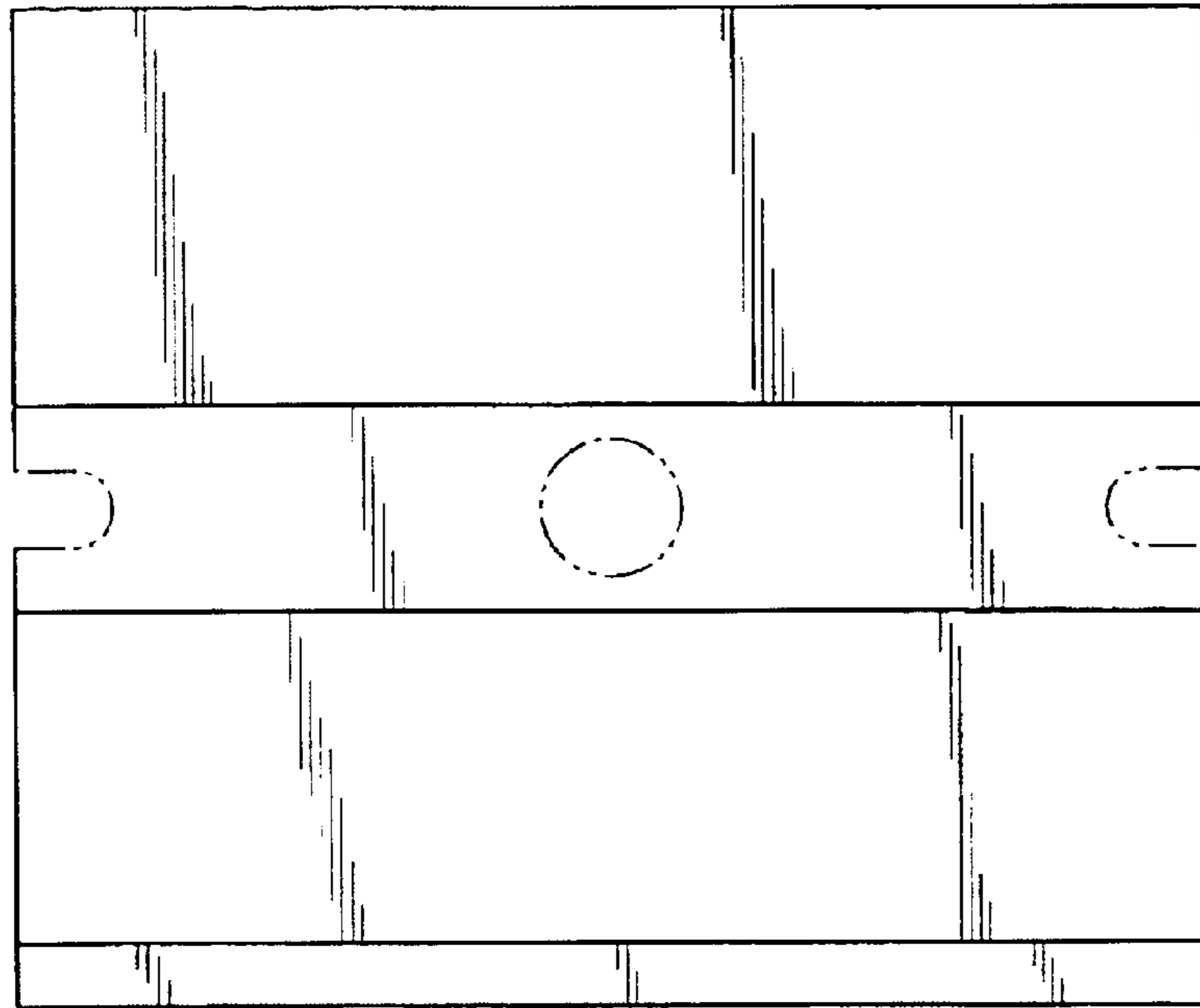
The broken line illustrations in the drawing figures of holes and cutouts are for illustrative purposes only and form no part of the claimed design.

**1 Claim, 3 Drawing Sheets**

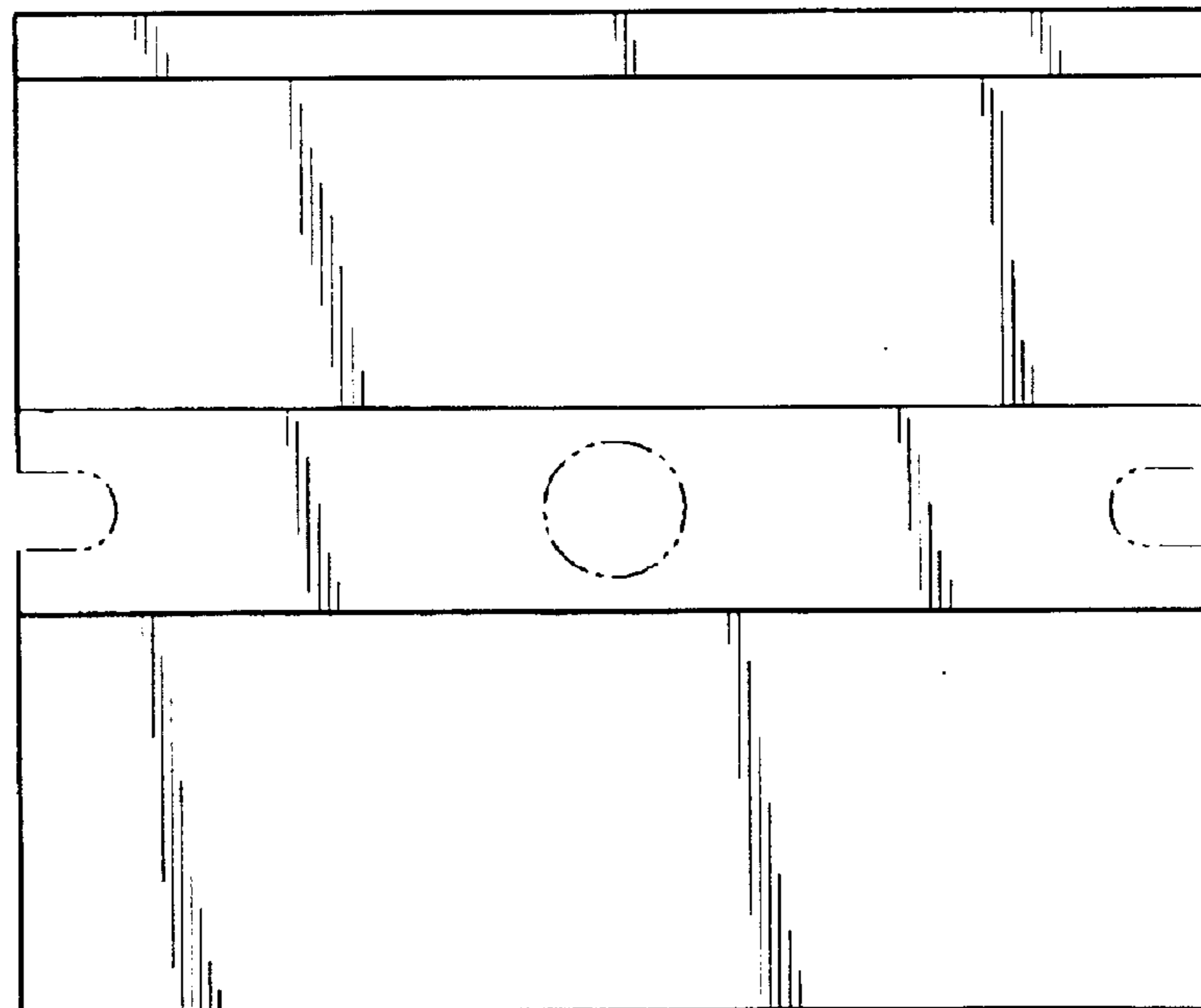




*Fig. 1*



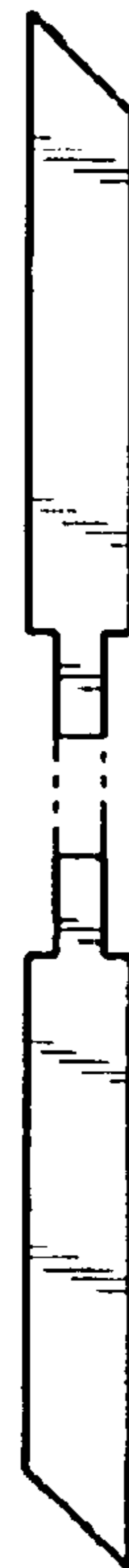
*Fig. 2*



*Fig. 3*



*Fig. 4*



*Fig. 5*



*Fig. 6*