

US00D497216S1

(12) **United States Design Patent** (10) **Patent No.:** **US D497,216 S**  
**Lee** (45) **Date of Patent:** **\*\* Oct. 12, 2004**

(54) **PORTABLE READING LIGHT**

(76) Inventor: **Peter Lee**, 17013 Edgewater La.,  
Huntington Beach, CA (US) 92649

(\*\*) Term: **14 Years**

(21) Appl. No.: **29/188,190**

(22) Filed: **Aug. 14, 2003**

(51) **LOC (7) Cl.** ..... **26-05**

(52) **U.S. Cl.** ..... **D26/60; D26/63**

(58) **Field of Search** ..... D26/60-63, 65,  
D26/39, 43, 44; 362/98, 99, 191, 281-287,  
269, 396, 418, 419, 427, 428, 430, 282,  
197-199, 109

(56) **References Cited**

**U.S. PATENT DOCUMENTS**

2,621,282	A	*	12/1952	Novak	.....	362/140
4,598,340	A	*	7/1986	Dwosh et al.	.....	362/98
D302,594	S	*	8/1989	Charet et al.	.....	D26/60
5,379,201	A	*	1/1995	Friedman	.....	362/191
D364,000	S	*	11/1995	Friedman	.....	D26/60
5,720,543	A	*	2/1998	Sheps	.....	362/196
5,738,432	A	*	4/1998	Okko et al.	.....	362/103
6,022,119	A	*	2/2000	Booty, Jr.	.....	362/98
6,142,644	A	*	11/2000	Leung	.....	362/98

D467,377 S \* 12/2002 Hang ..... D26/60

\* cited by examiner

*Primary Examiner*—Clare E Heflin

(74) *Attorney, Agent, or Firm*—Raymond Y. Chan; David  
and Raymond Patent Group

(57) **CLAIM**

The ornamental design for a portable reading light, as shown  
and described.

**DESCRIPTION**

FIG. 1 is a perspective view of my new design.

FIG. 2 is a front view thereof.

FIG. 3 is a rear view thereof.

FIG. 4 is a left end view thereof.

FIG. 5 is a right end view thereof.

FIG. 6 is a top view thereof.

FIG. 7 is a bottom view thereof.

FIG. 8 is a bottom perspective view thereof.

FIG. 9 is an unfolded perspective view thereof.

FIG. 10 is an unfolded front view thereof.

FIG. 11 is an unfolded rear view thereof.

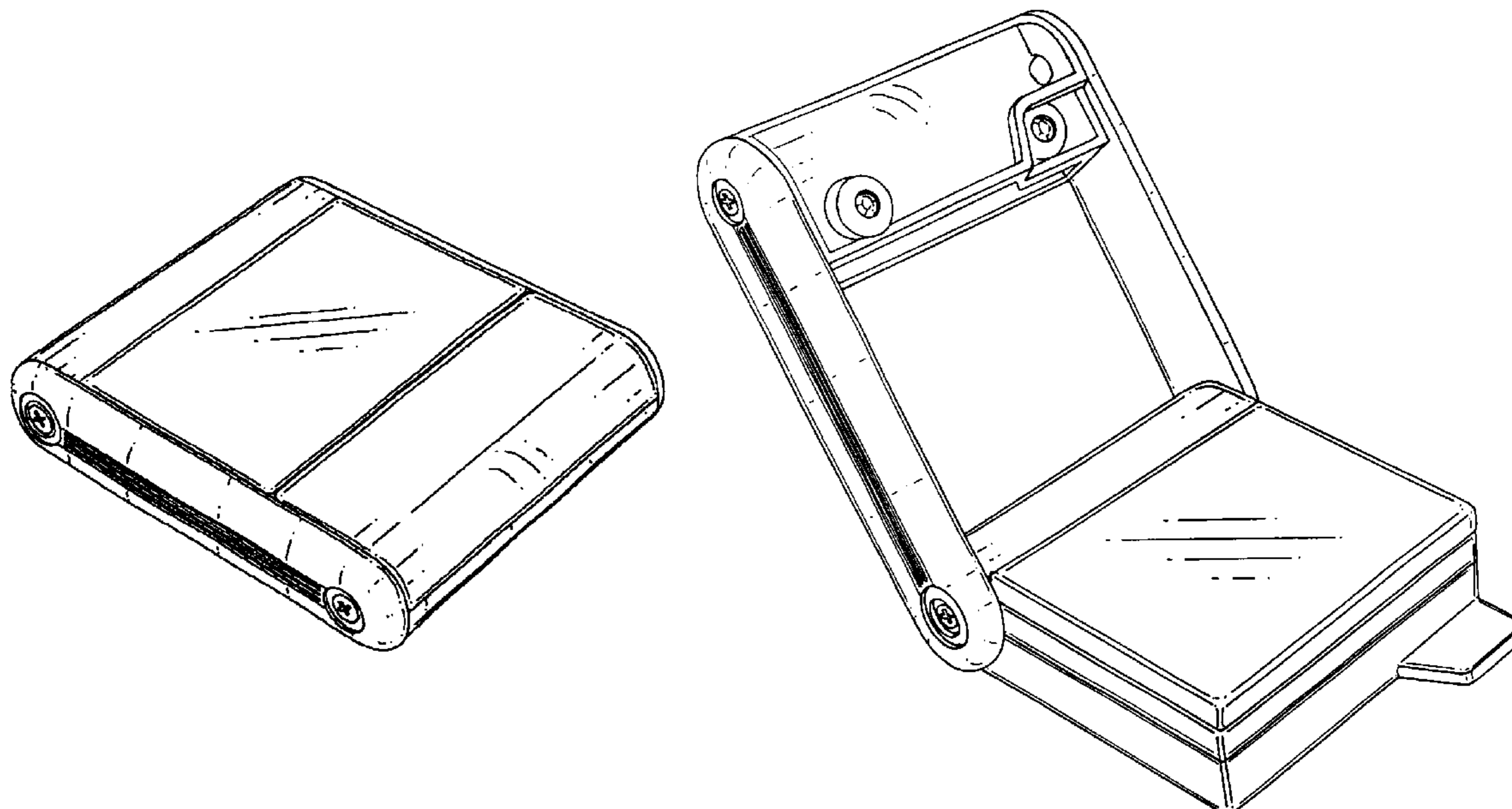
FIG. 12 is an unfolded left view thereof.

FIG. 13 is an unfolded right view thereof.

FIG. 14 is an unfolded top view thereof; and,

FIG. 15 is an unfolded bottom view thereof.

**1 Claim, 15 Drawing Sheets**



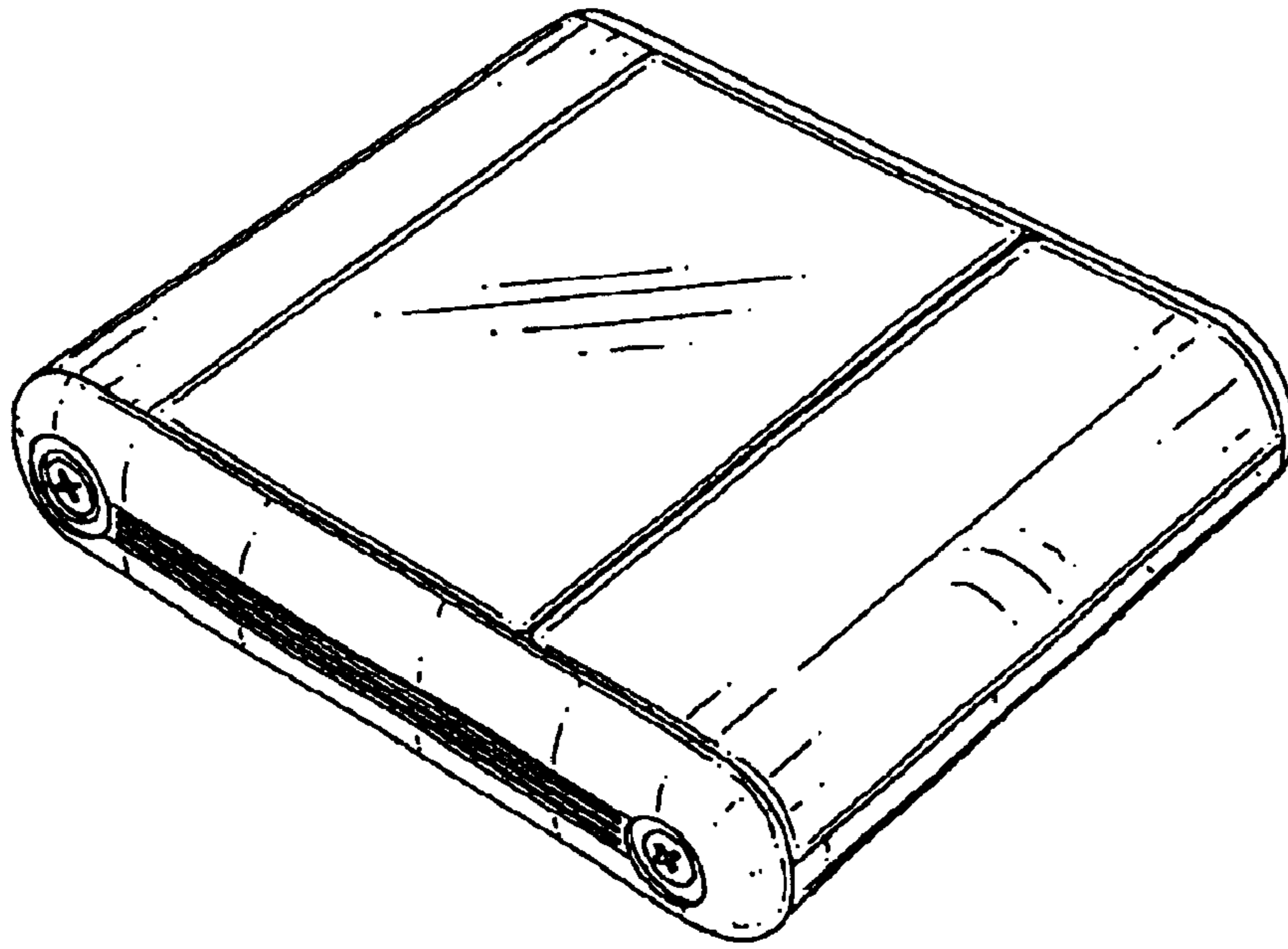


FIG. 1

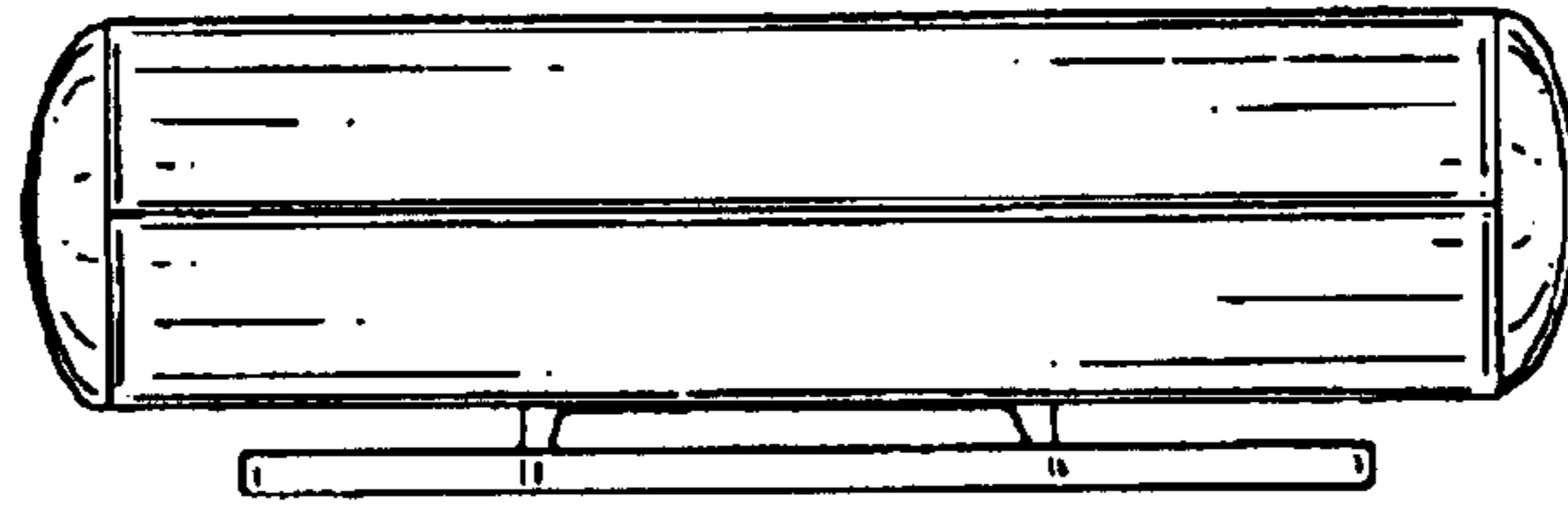


FIG. 2

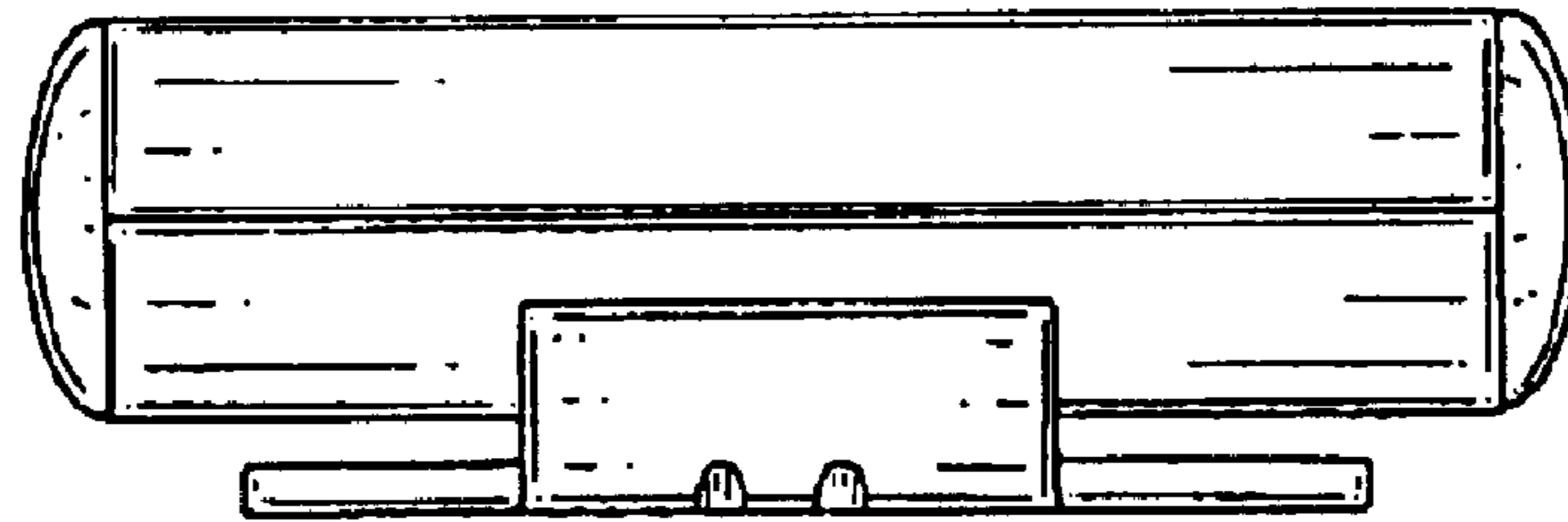


FIG. 3

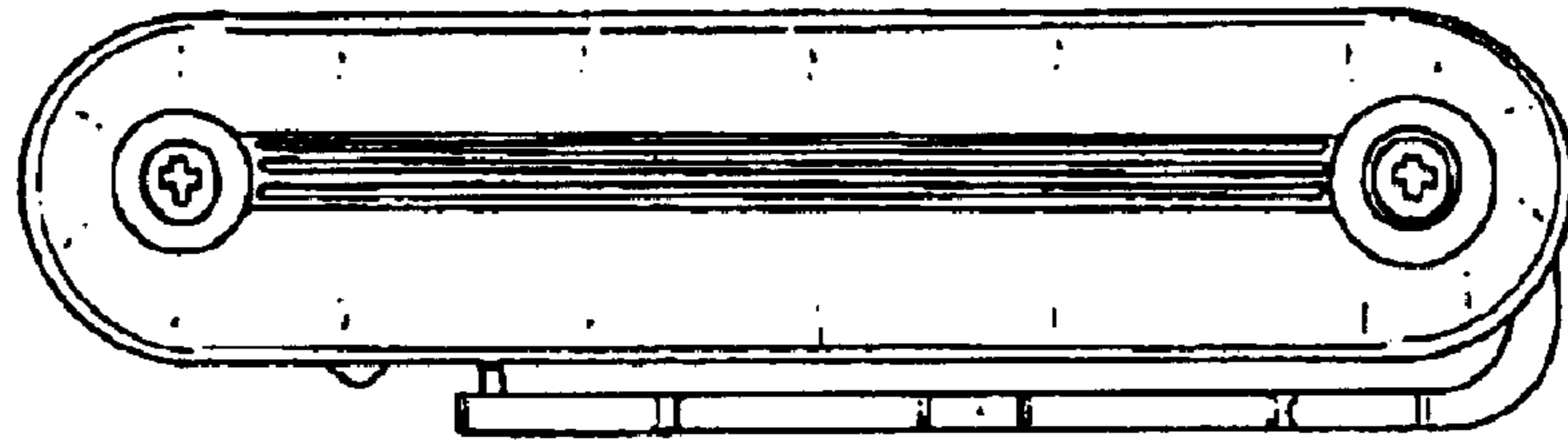


FIG. 4

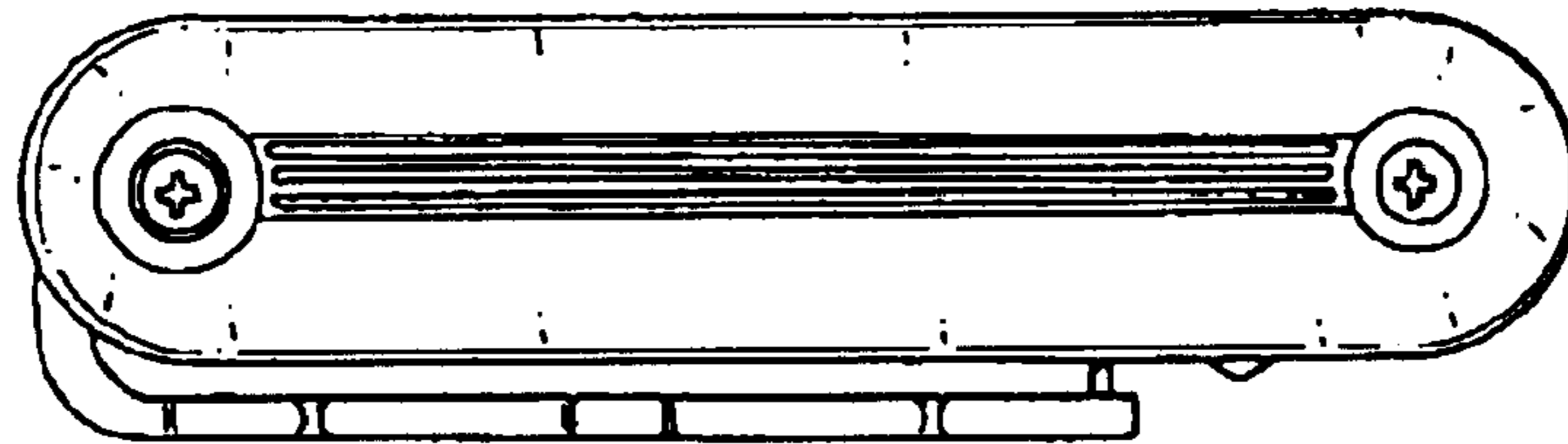


FIG. 5

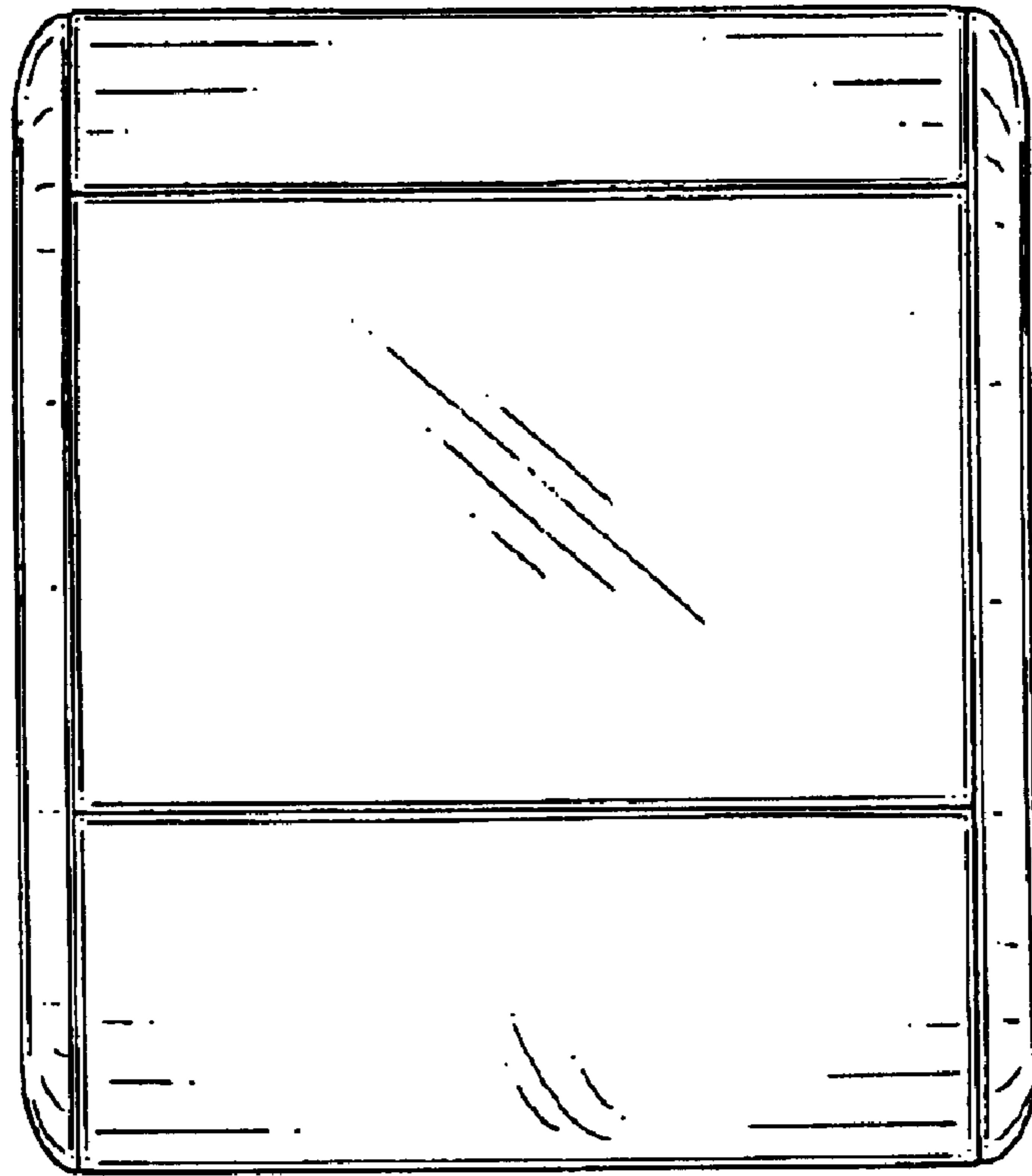


FIG. 6

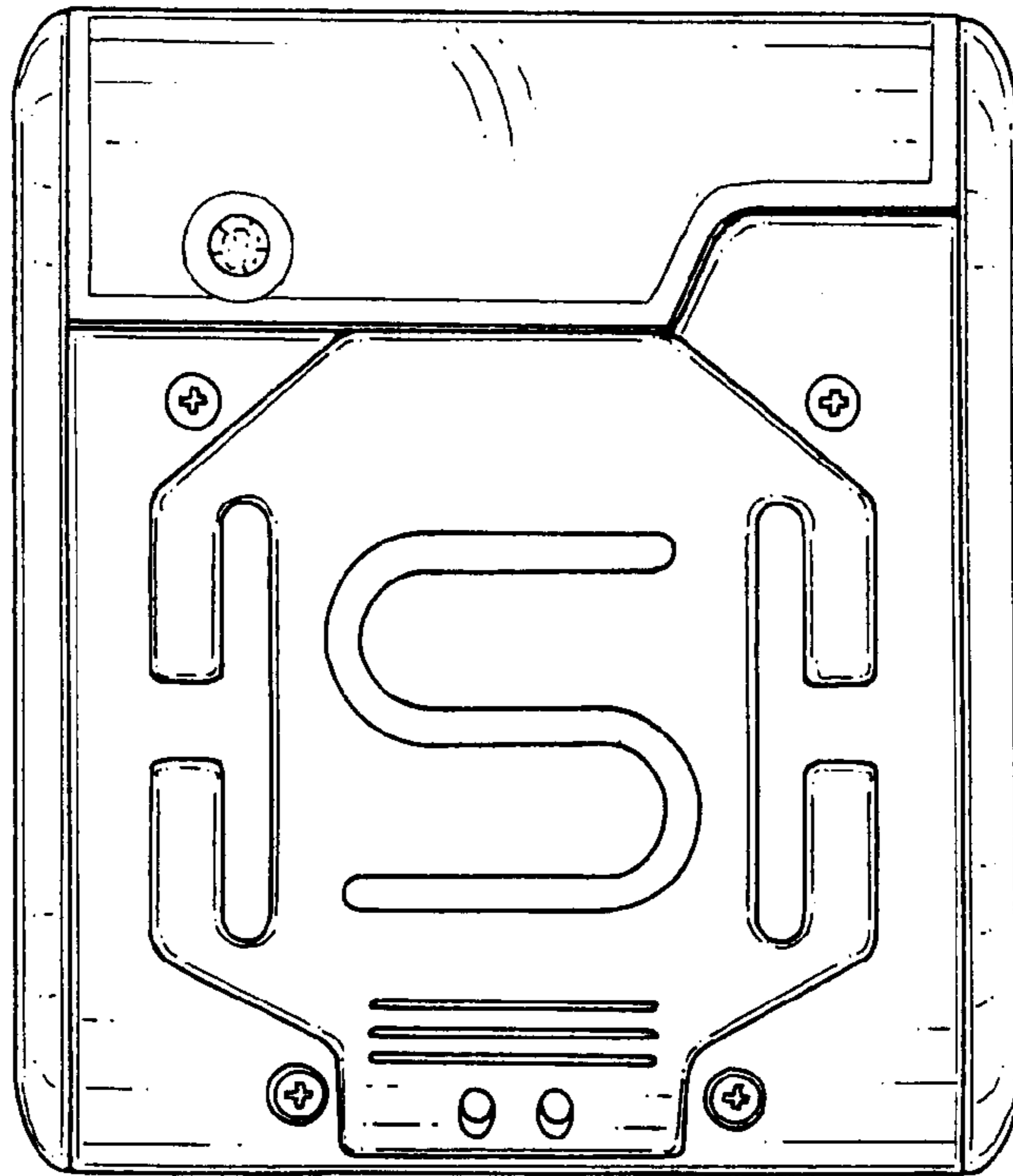


FIG. 7



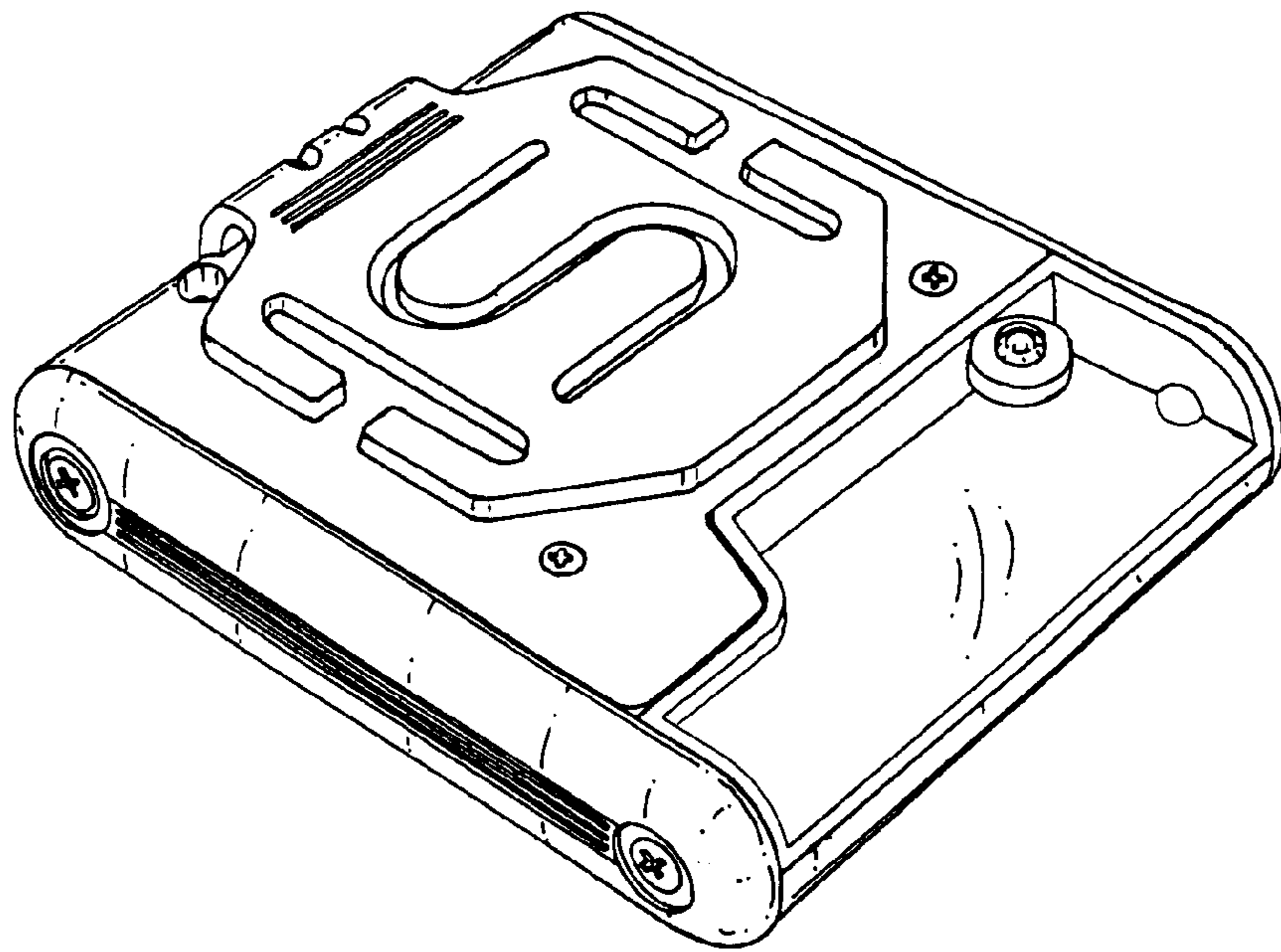


FIG. 8

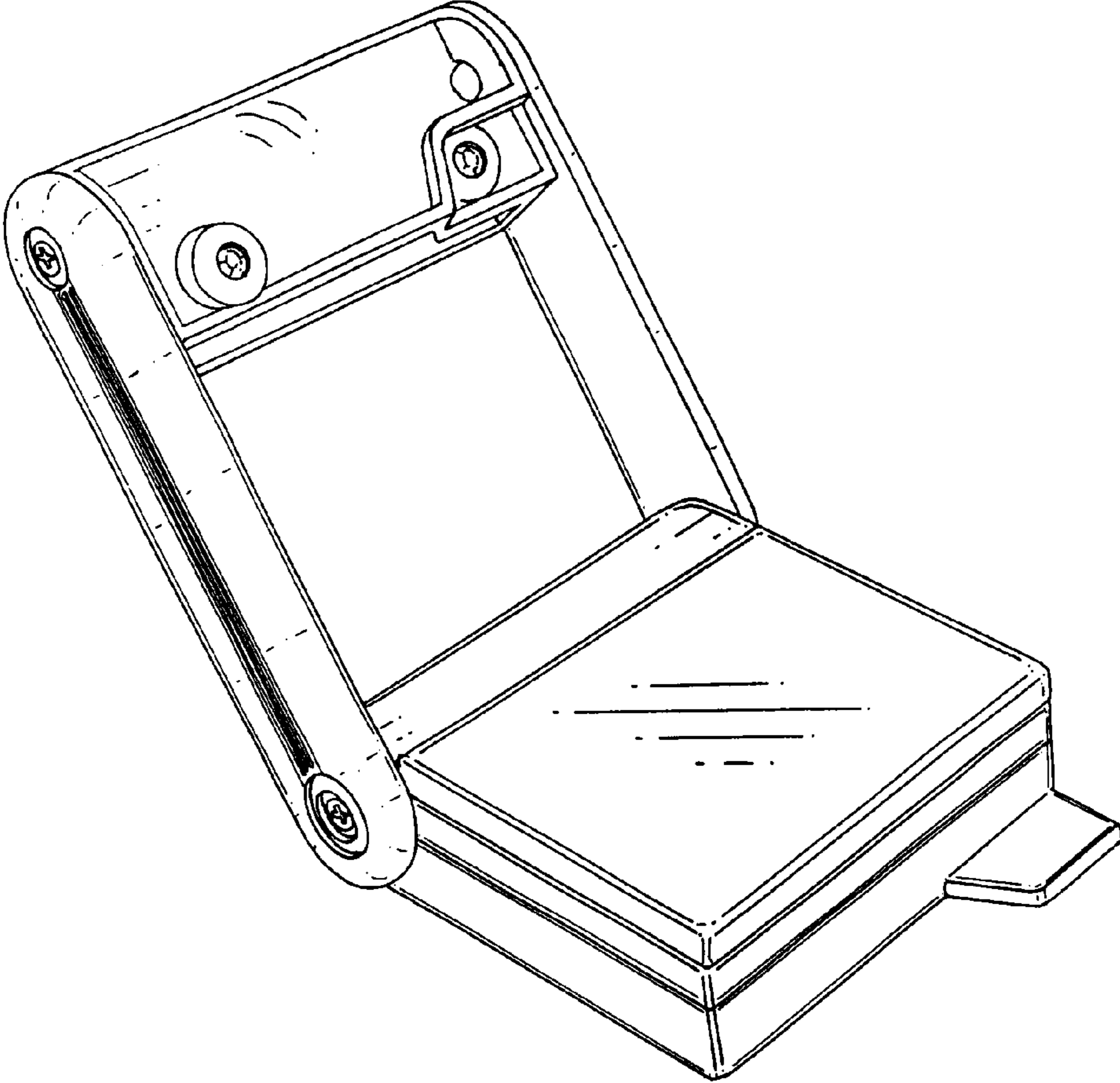


FIG. 9

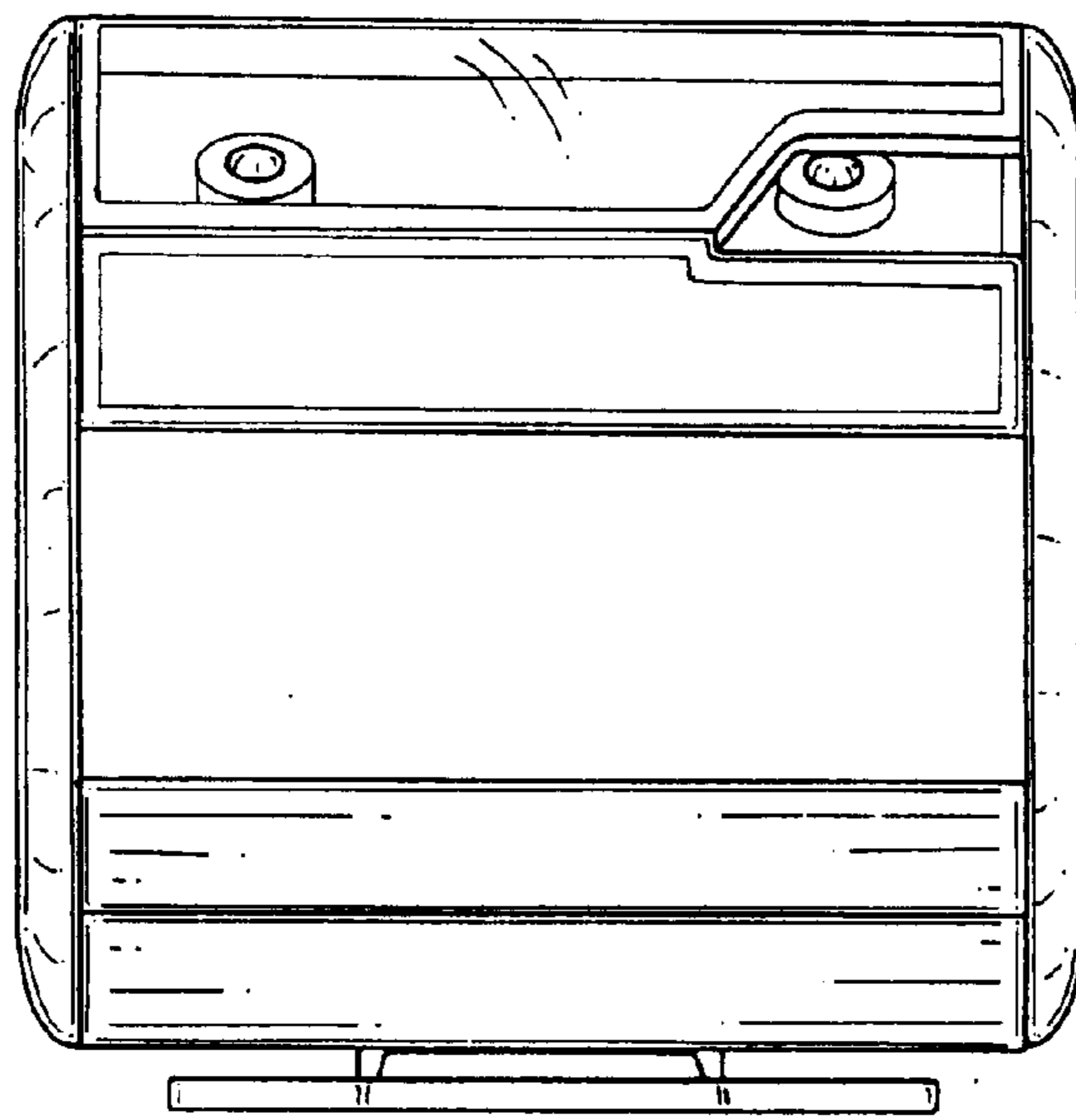


FIG. 10

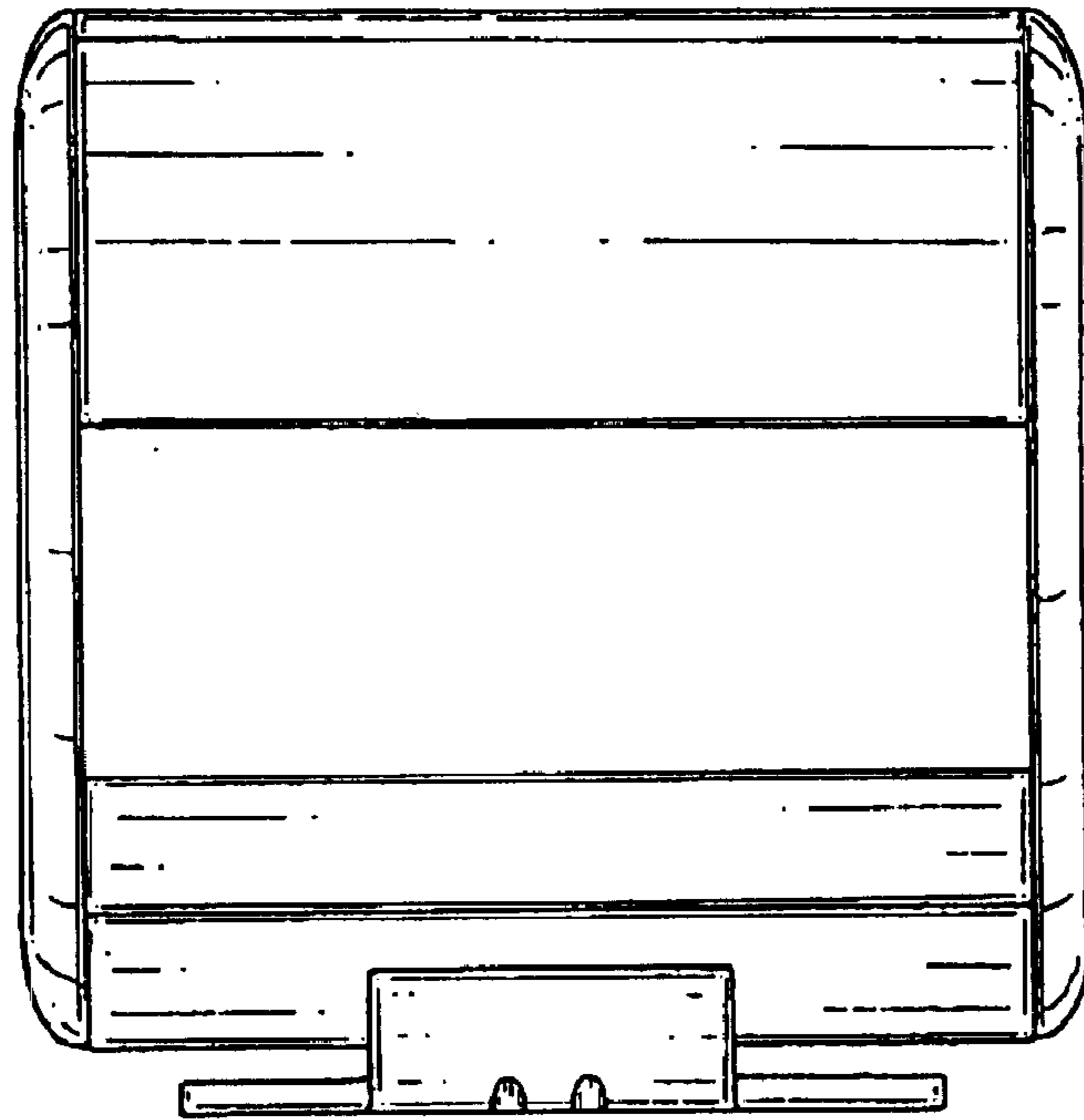


FIG. 11

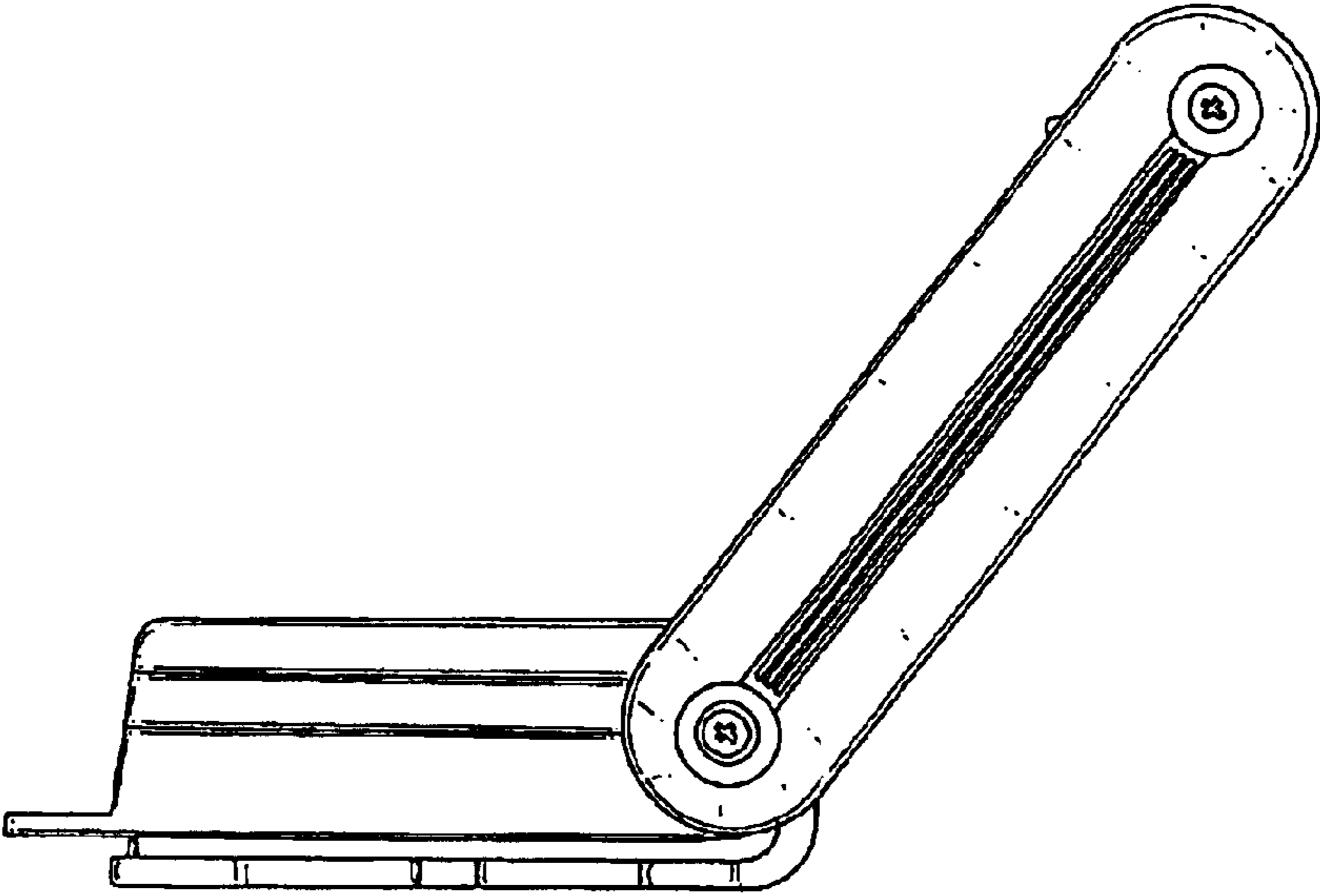


FIG. 12

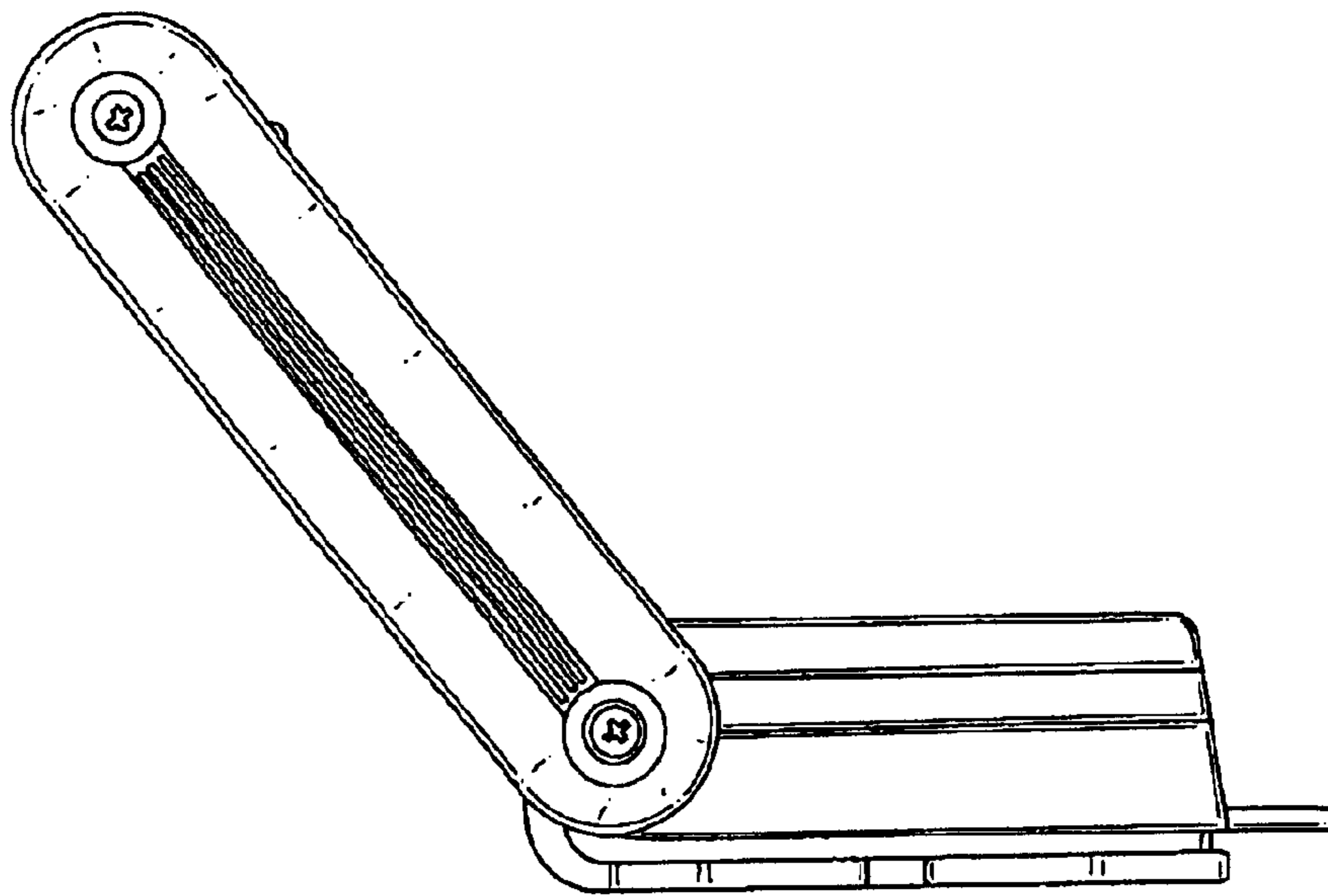


FIG. 13

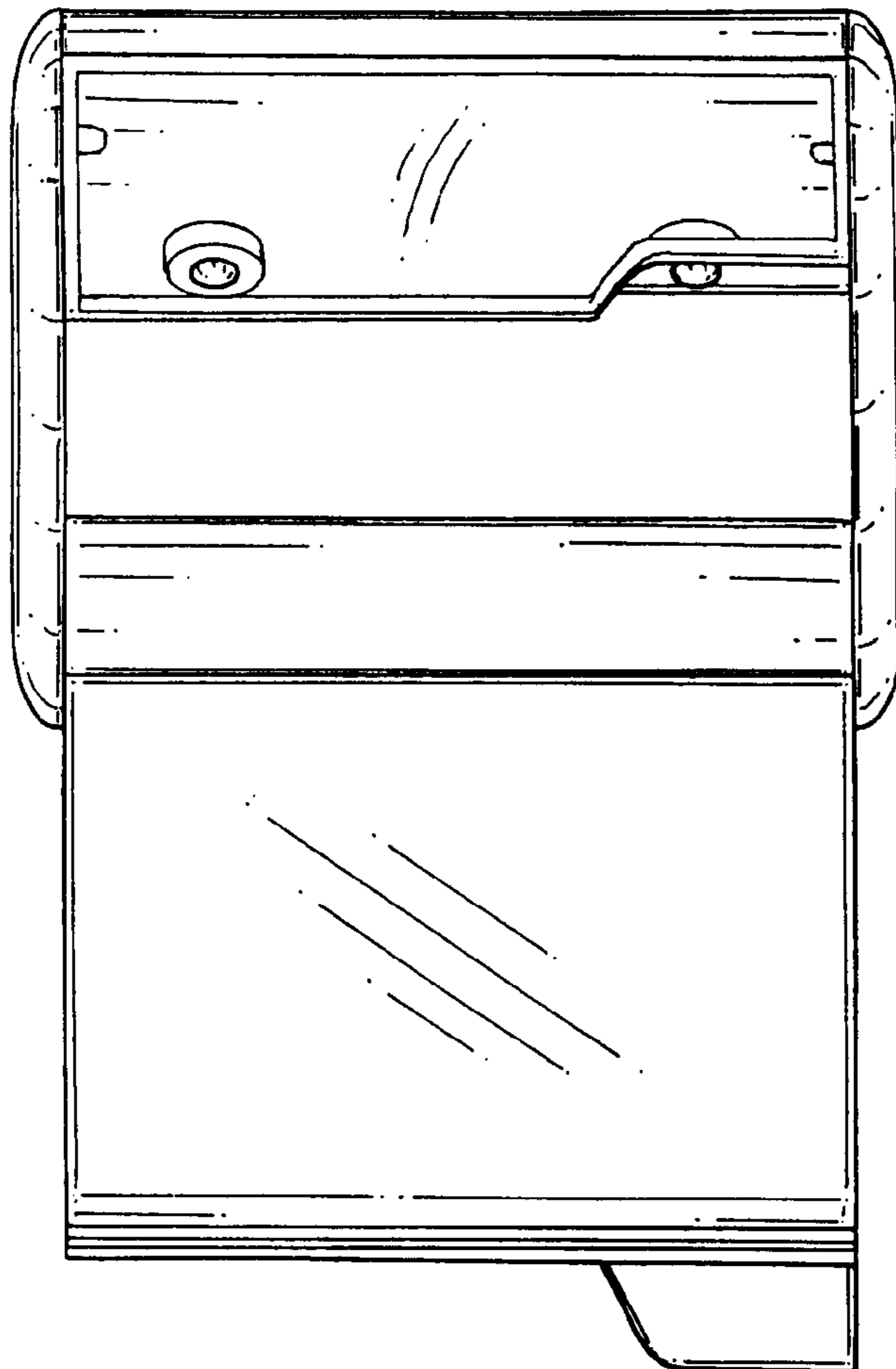


FIG. 14

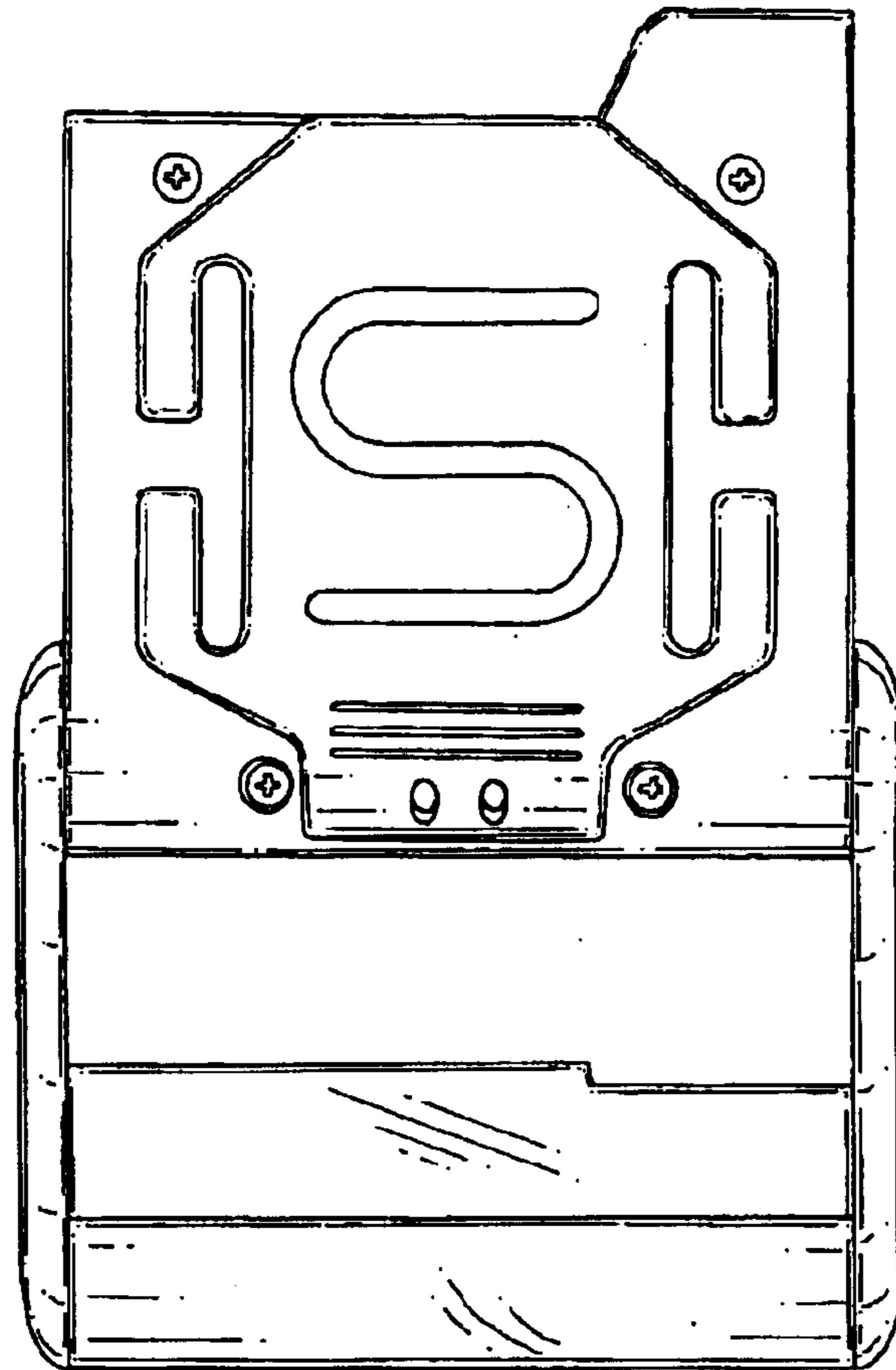


FIG. 15