



US00D497215S1

(12) **United States Design Patent**
Shaljian

(10) **Patent No.:** **US D497,215 S**

(45) **Date of Patent:** **** Oct. 12, 2004**

(54) **ILLUMINATED TWEEZERS**

(76) **Inventor:** **Vartan Shaljian**, 9005 Independence Ave., Canoga Park, CA (US) 91304

(**) **Term:** **14 Years**

(21) **Appl. No.:** **29/186,283**

(22) **Filed:** **Jul. 11, 2003**

(51) **LOC (7) Cl.** **26-05**

(52) **U.S. Cl.** **D26/51; D28/55**

(58) **Field of Search** **D28/55; D26/51; 362/119, 120; 606/133, 210, 211; 294/99.2**

(56) **References Cited**

U.S. PATENT DOCUMENTS

- D171,264 S * 1/1954 Peterson et al. D28/55
- 2,666,843 A * 1/1954 Samuel 362/120
- D175,259 S * 8/1955 Johnson D28/55

* cited by examiner

Primary Examiner—Jennifer Rivard

(74) *Attorney, Agent, or Firm*—Larry D. Johnson; Craig M. Stainbrook; Johnson & Stainbrook, LLP

(57) **CLAIM**

The ornamental design or illuminated tweezers, as shown and described.

DESCRIPTION

FIG. 1 is a lower rear right perspective view, with unclaimed tweezers shown in dashed lines;

FIG. 2 is a lower rear right perspective view;

FIG. 3 is a front rear elevational view;

FIG. 4 is a left side elevational view;

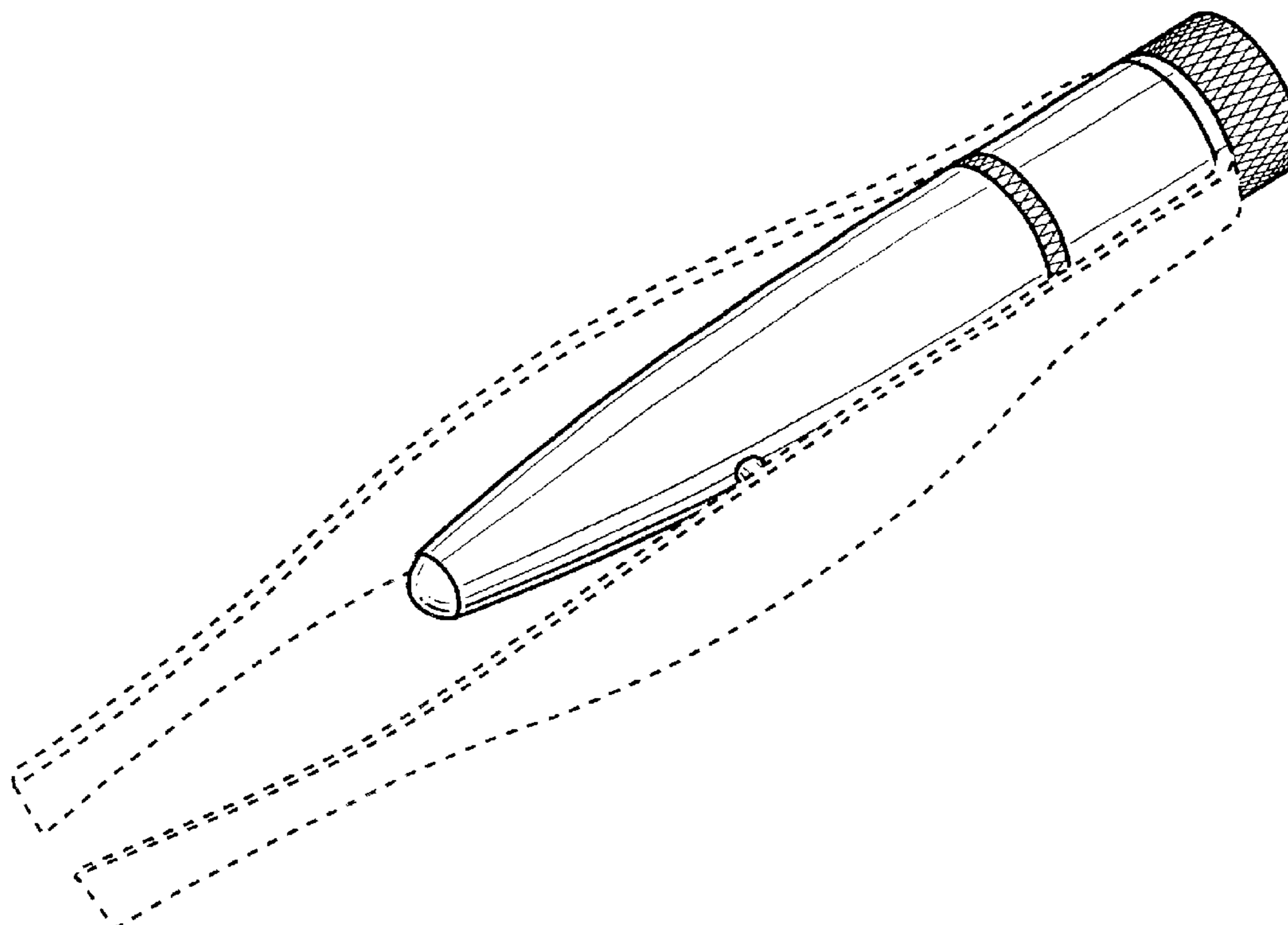
FIG. 5 is a right side elevational view;

FIG. 6 is a top plan view; and,

FIG. 7 is a bottom plan view.

The dashed lines are shown for illustrative purposes only and form no part of the claimed design.

1 Claim, 2 Drawing Sheets



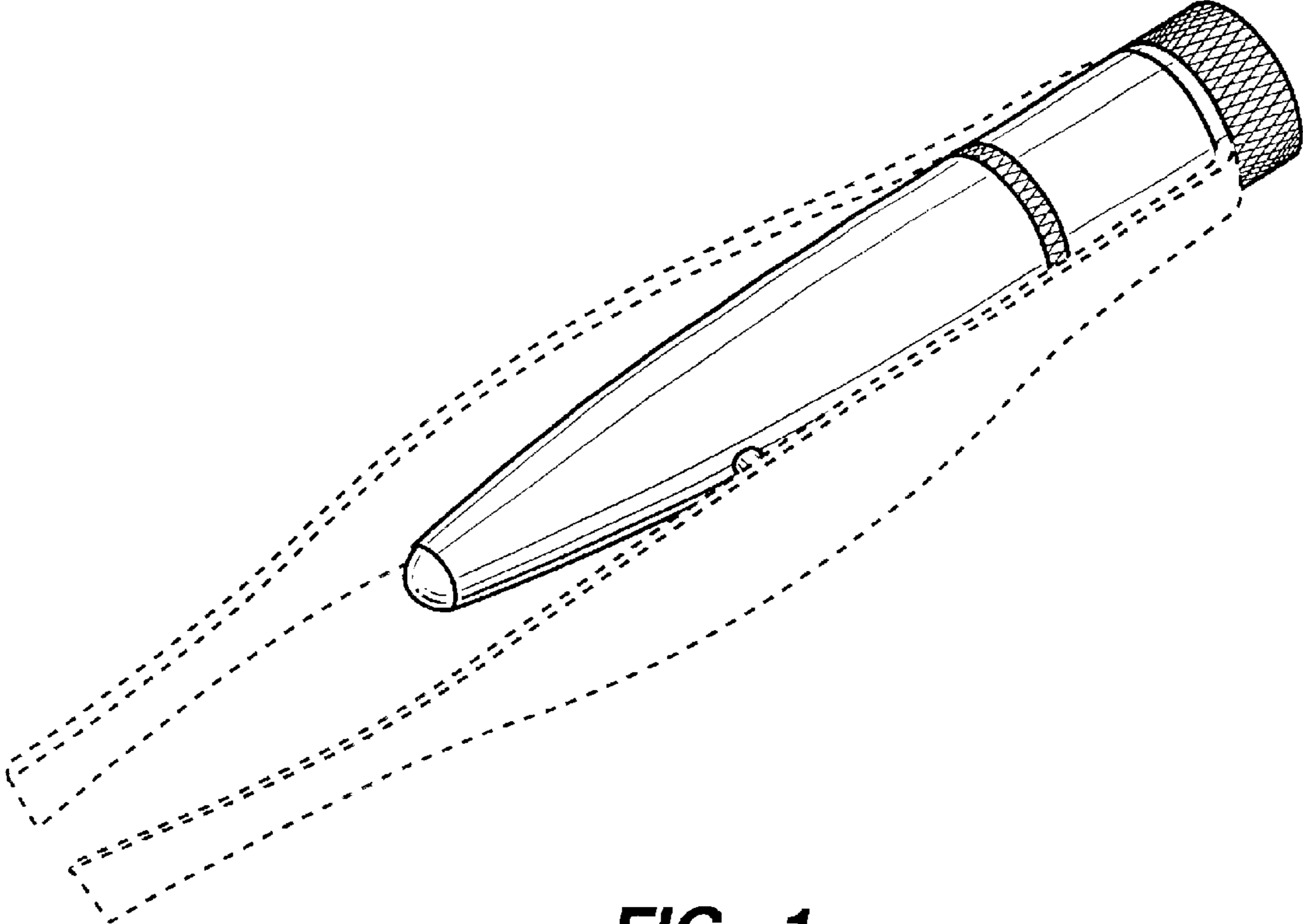


FIG. 1

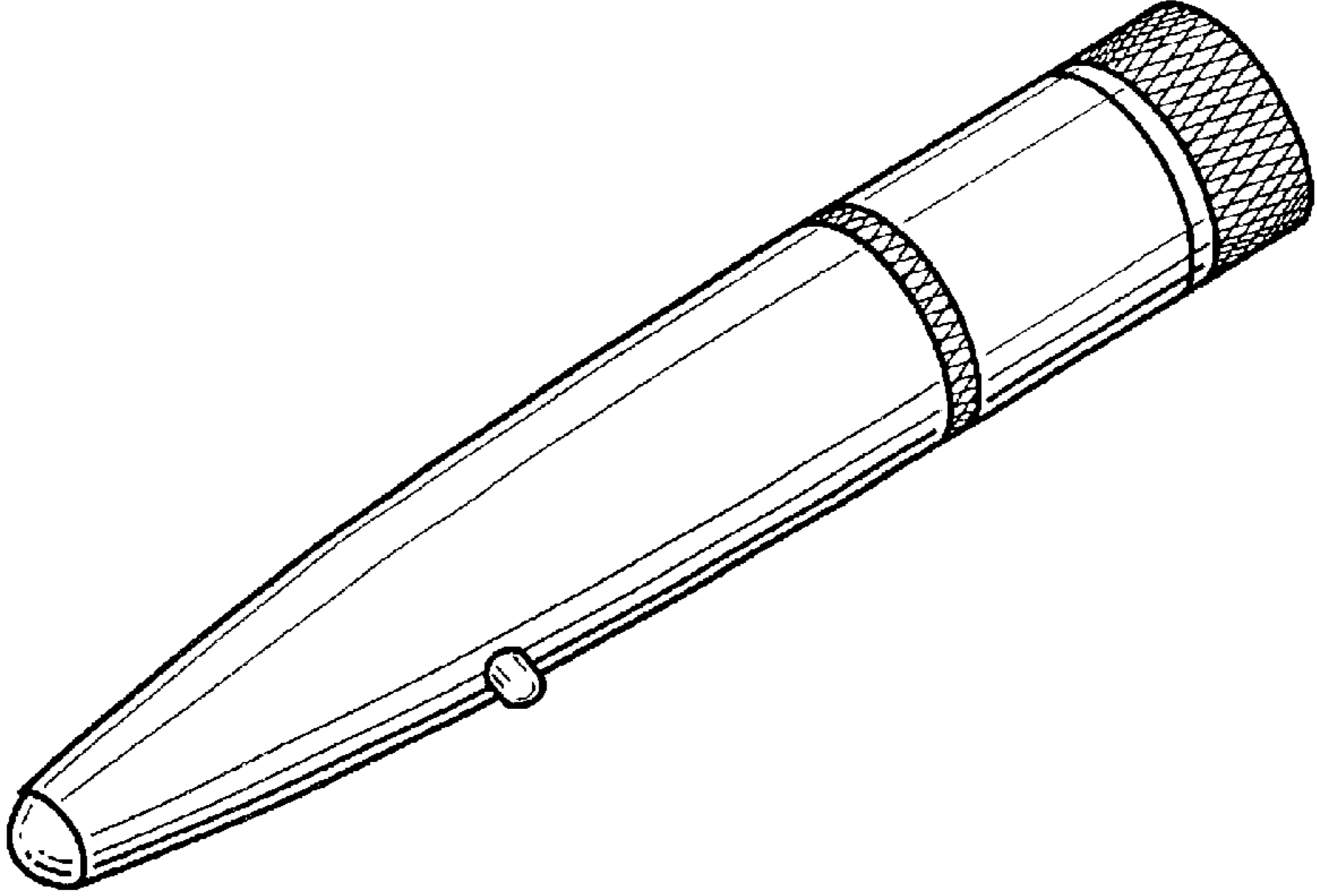


FIG. 2

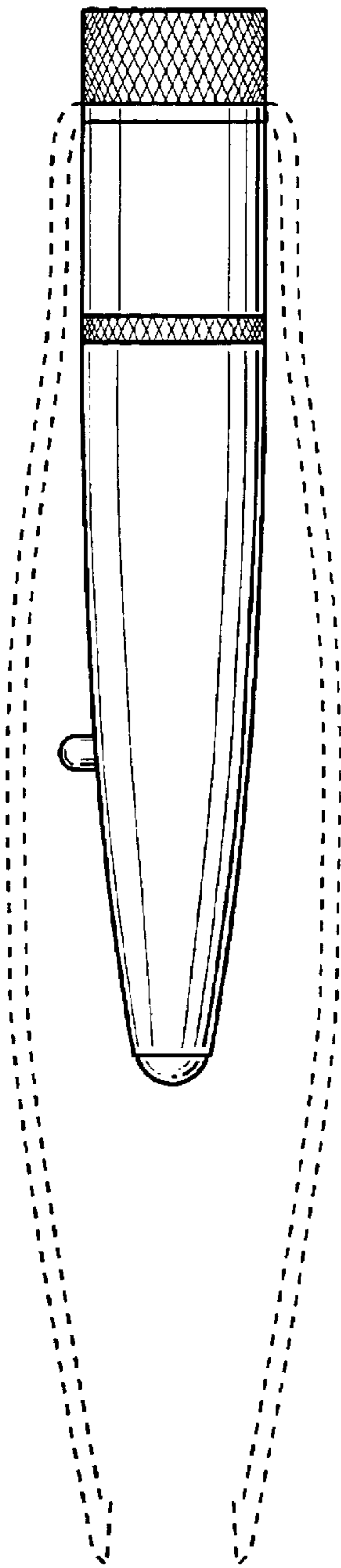


FIG._3

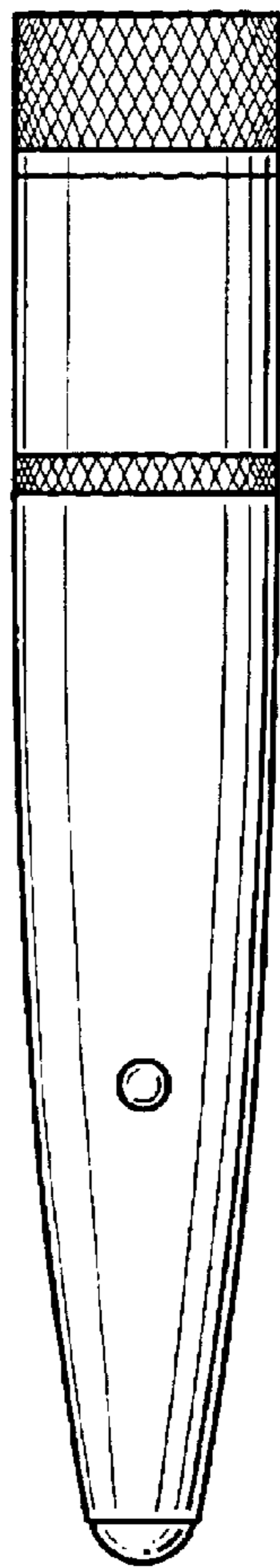


FIG._4

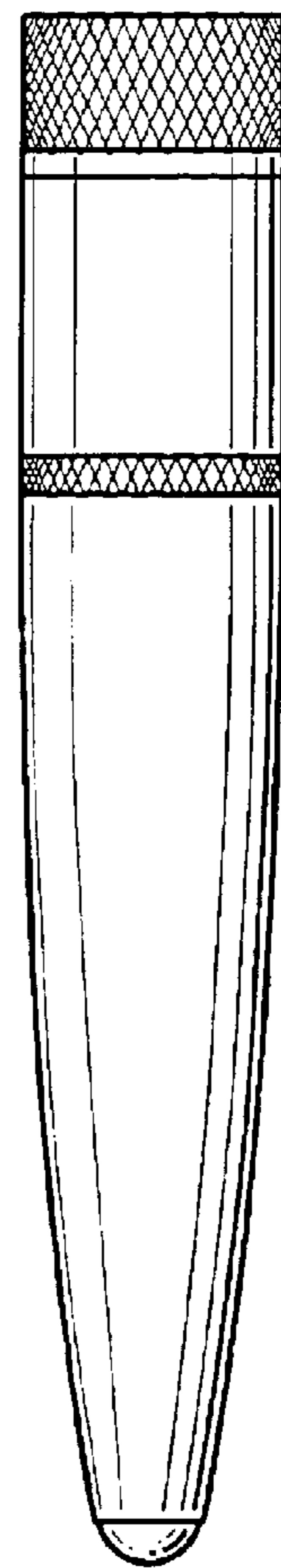


FIG._5

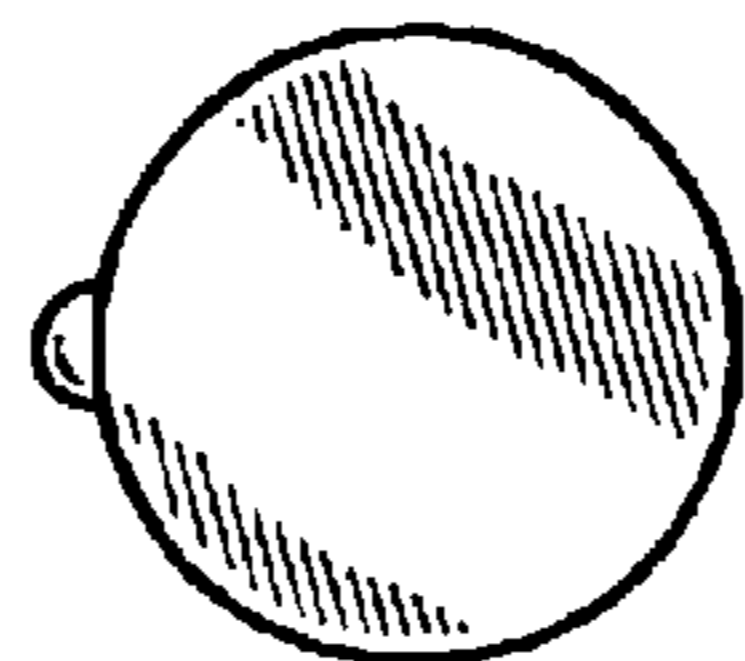


FIG._6

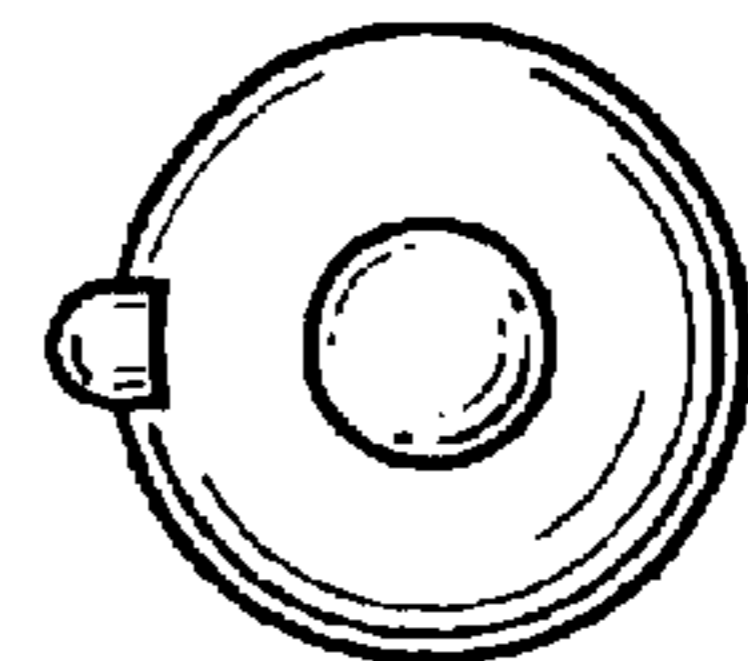


FIG._7