

US00D497213S1

(12) **United States Design Patent** (10) **Patent No.:** **US D497,213 S**  
**Poliacek et al.** (45) **Date of Patent:** **\*\* Oct. 12, 2004**

(54) **TRIANGLE TILE MODULE**

(76) Inventors: **Jiri Poliacek**, 1429 W. 134th St., Suite #4, Gardena, CA (US) 90249; **Jirina Jordan**, 1429 W. 134th St., Suite #4, Gardena, CA (US) 90249

(\*\*) Term: **14 Years**

(21) Appl. No.: **29/193,037**

(22) Filed: **Oct. 30, 2003**

(51) **LOC (7) Cl.** ..... **25-01**

(52) **U.S. Cl.** ..... **D25/138**

(58) **Field of Search** ..... D25/138, 151, D25/157, 161; 428/14, 33, 45; 52/311.1, 314, 316, 384, 390, 415

(56) **References Cited**

**U.S. PATENT DOCUMENTS**

5,438,809 A	8/1995	Ehrlich	52/390
5,447,004 A	9/1995	Vrnak	52/387
D365,160 S	* 12/1995	Tinen	D25/138
RE35,380 E	11/1996	Rea et al.	52/387
6,138,423 A	10/2000	Poutanen et al.	52/384
6,260,326 B1	7/2001	Muller-Hartburg	52/601
D470,602 S	* 2/2003	Pate	D25/138
D486,592 S	* 2/2004	Hong	D25/138

\* cited by examiner

*Primary Examiner*—Doris Clark

(74) *Attorney, Agent, or Firm*—Cislo & Thomas LLP

(57) **CLAIM**

The ornamental design for a triangle tile module, as shown and described.

**DESCRIPTION**

FIG. 1. Is a front perspective view of our triangle tile module;

FIG. 2. Is a top plan view thereof;

FIG. 3. Is a right side elevational view with the left side elevational view being a mirror image thereof;

FIG. 4. Is a rear elevational view thereof;

FIG. 5. Is a front elevational view thereof;

FIG. 6. Is a front perspective view of a second embodiment of our triangle tile module;

FIG. 7. Is a top plan view of the FIG. 6 embodiment;

FIG. 8. Is a right side elevational view of the FIG. 6 embodiment with the left side elevational view being a mirror image thereof;

FIG. 9. Is a rear elevational view of the FIG. 6 embodiment;

FIG. 10. Is a front elevational view of the FIG. 6 embodiment;

FIG. 11. Is a front perspective view of a third embodiment of our triangle tile module;

FIG. 12. Is a top plan view of the FIG. 11 embodiment;

FIG. 13. Is a right side elevational view of the FIG. 11 embodiment with the left side elevational view being a mirror image thereof.

FIG. 14. Is a rear elevational view of the FIG. 11 embodiment;

FIG. 15. Is a front elevational view of the FIG. 11 embodiment;

FIG. 16. Is a front perspective view of a fourth embodiment of our triangle tile module;

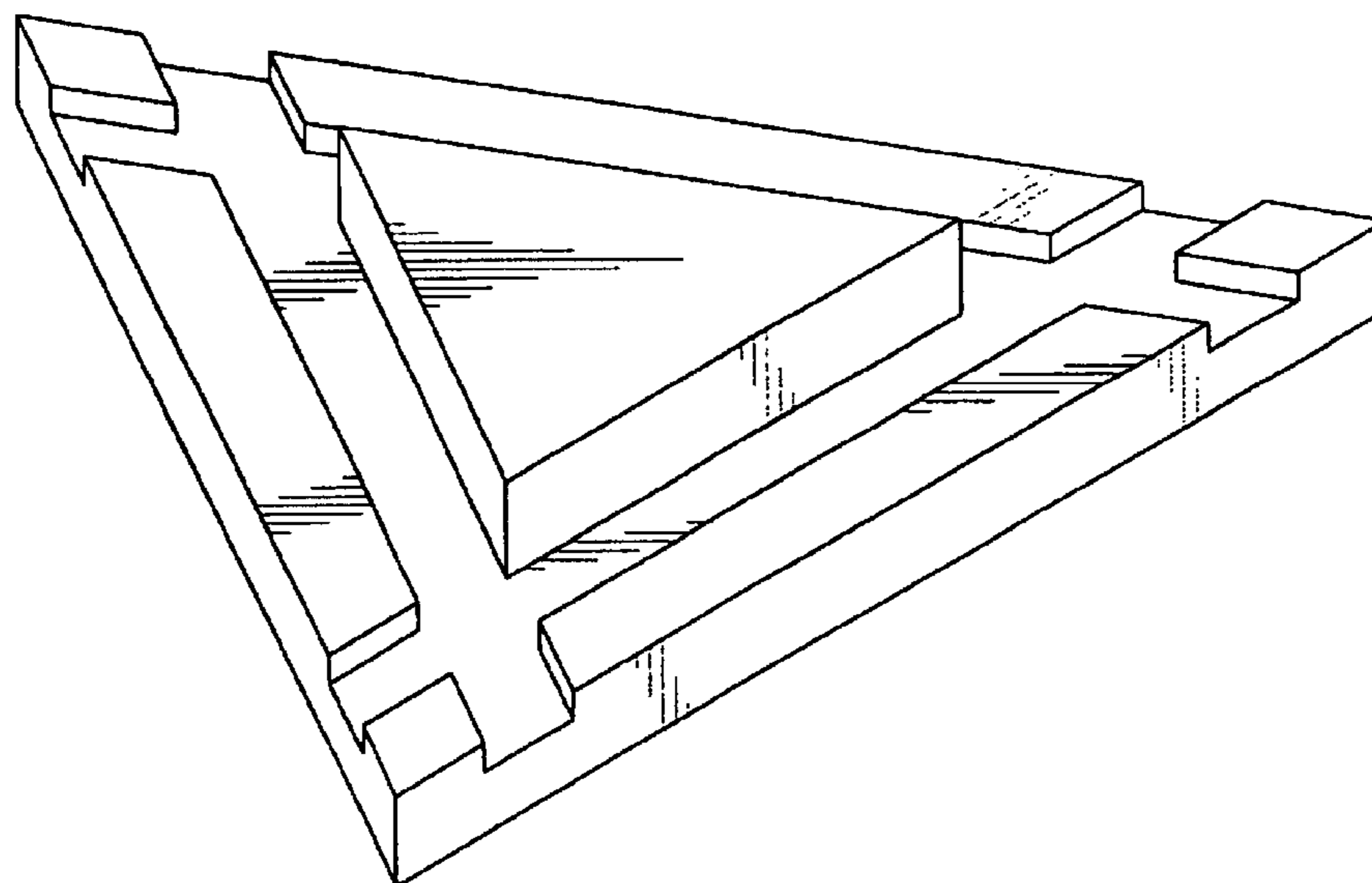
FIG. 17. Is a top plan view of the FIG. 16 embodiment;

FIG. 18. Is a right side elevational view of the FIG. 16 embodiment with the left side elevational view being a mirror image thereof.

FIG. 19. Is a rear elevational view of the FIG. 16 embodiment; and,

FIG. 20. Is a front elevational view of the FIG. 16 embodiment.

**1 Claim, 8 Drawing Sheets**



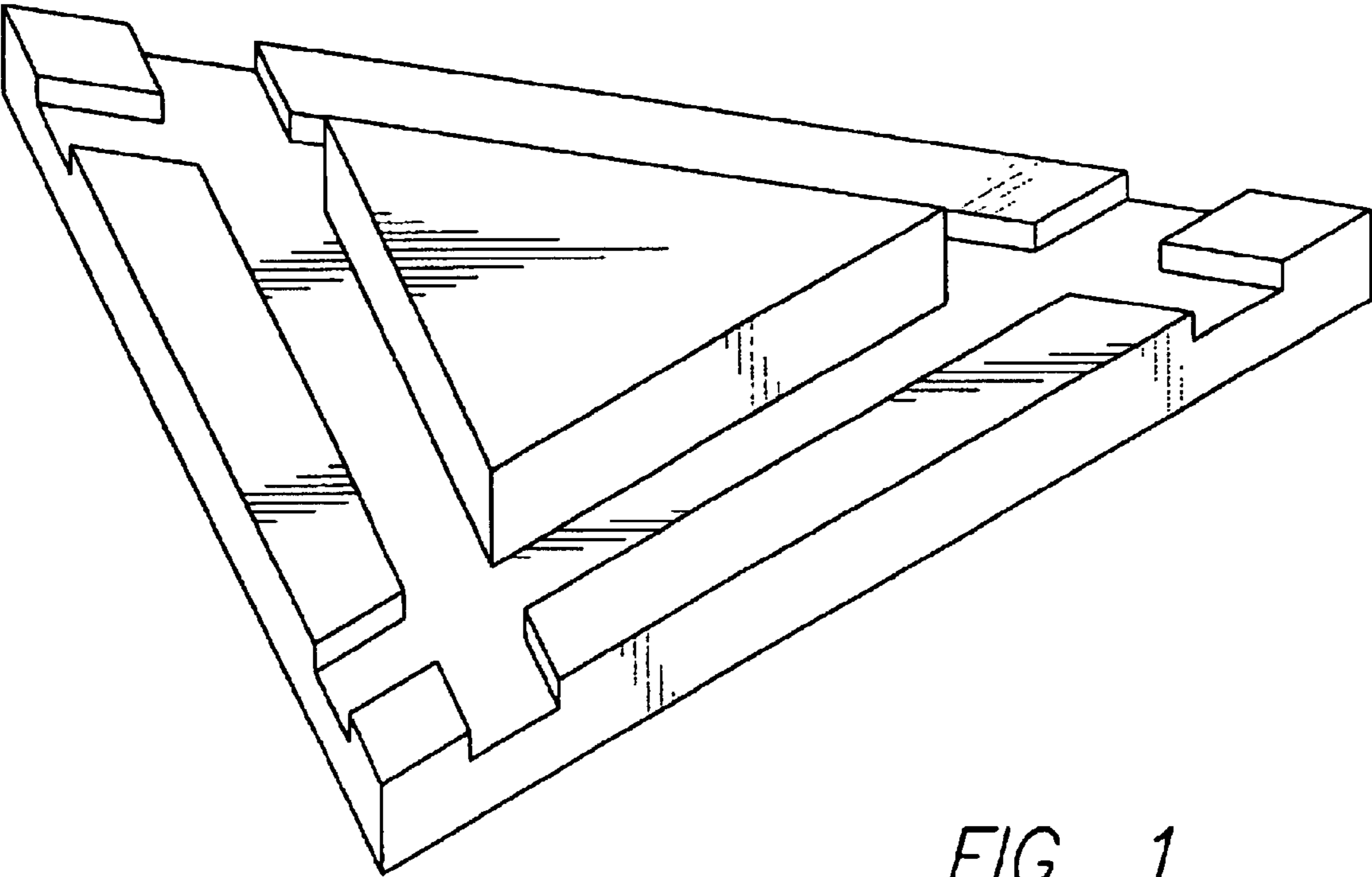


FIG. 1

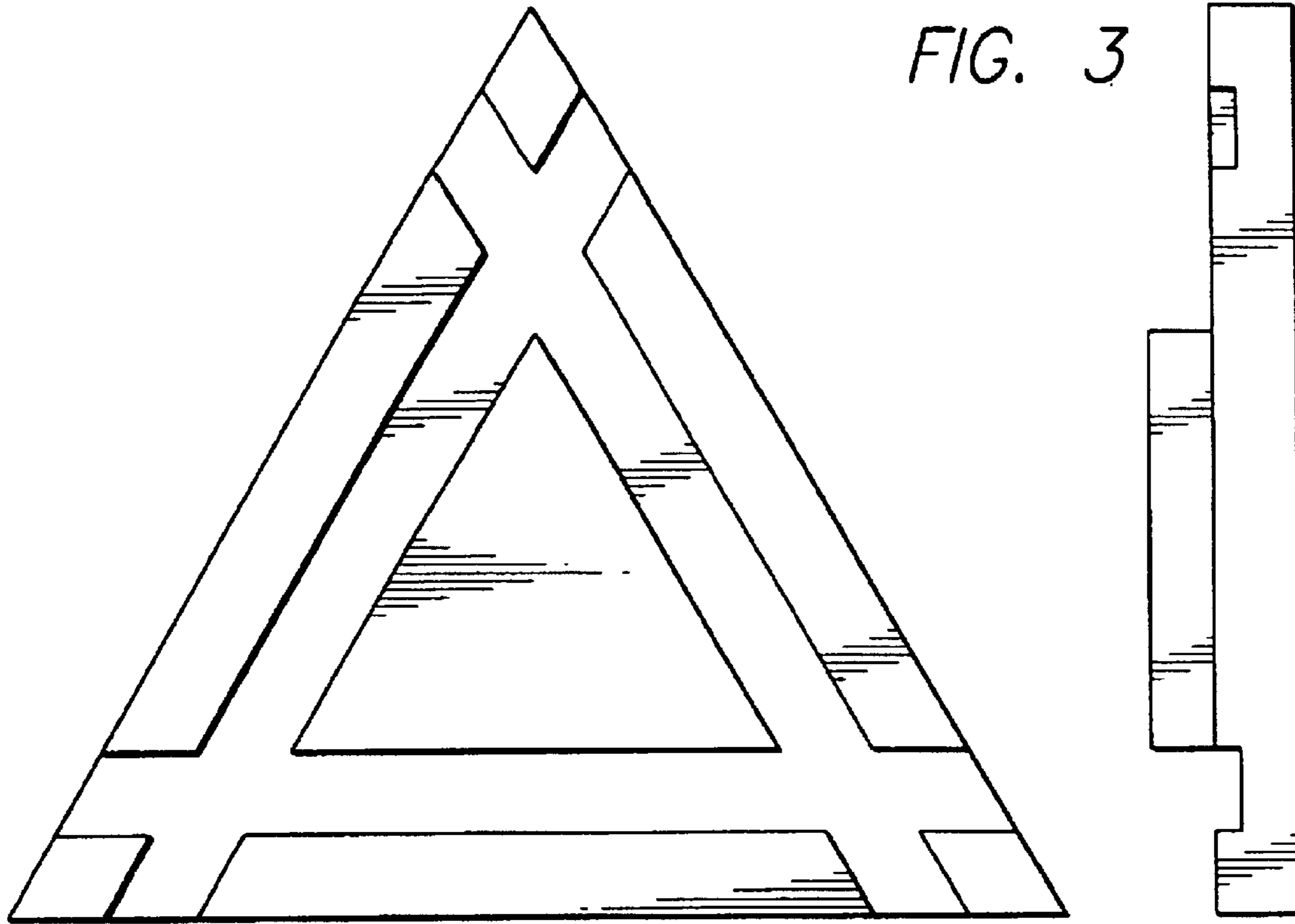


FIG. 2

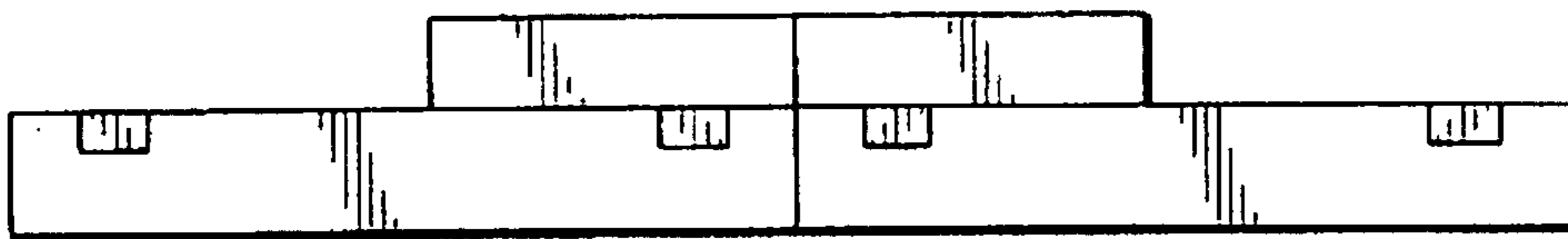


FIG. 4

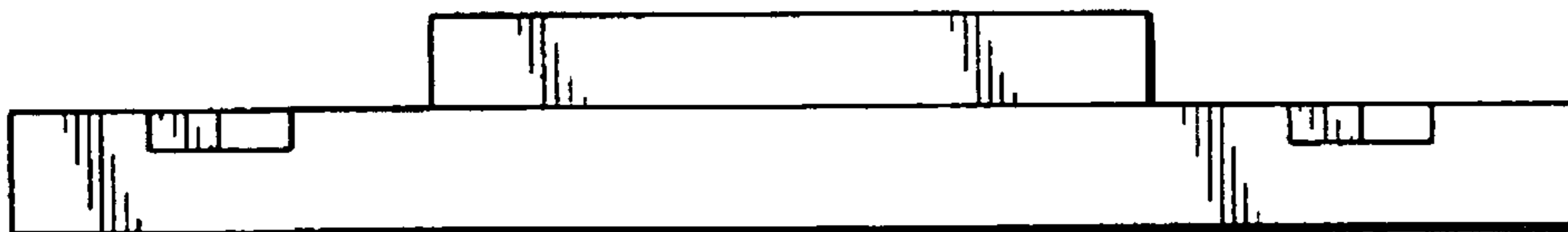


FIG. 5

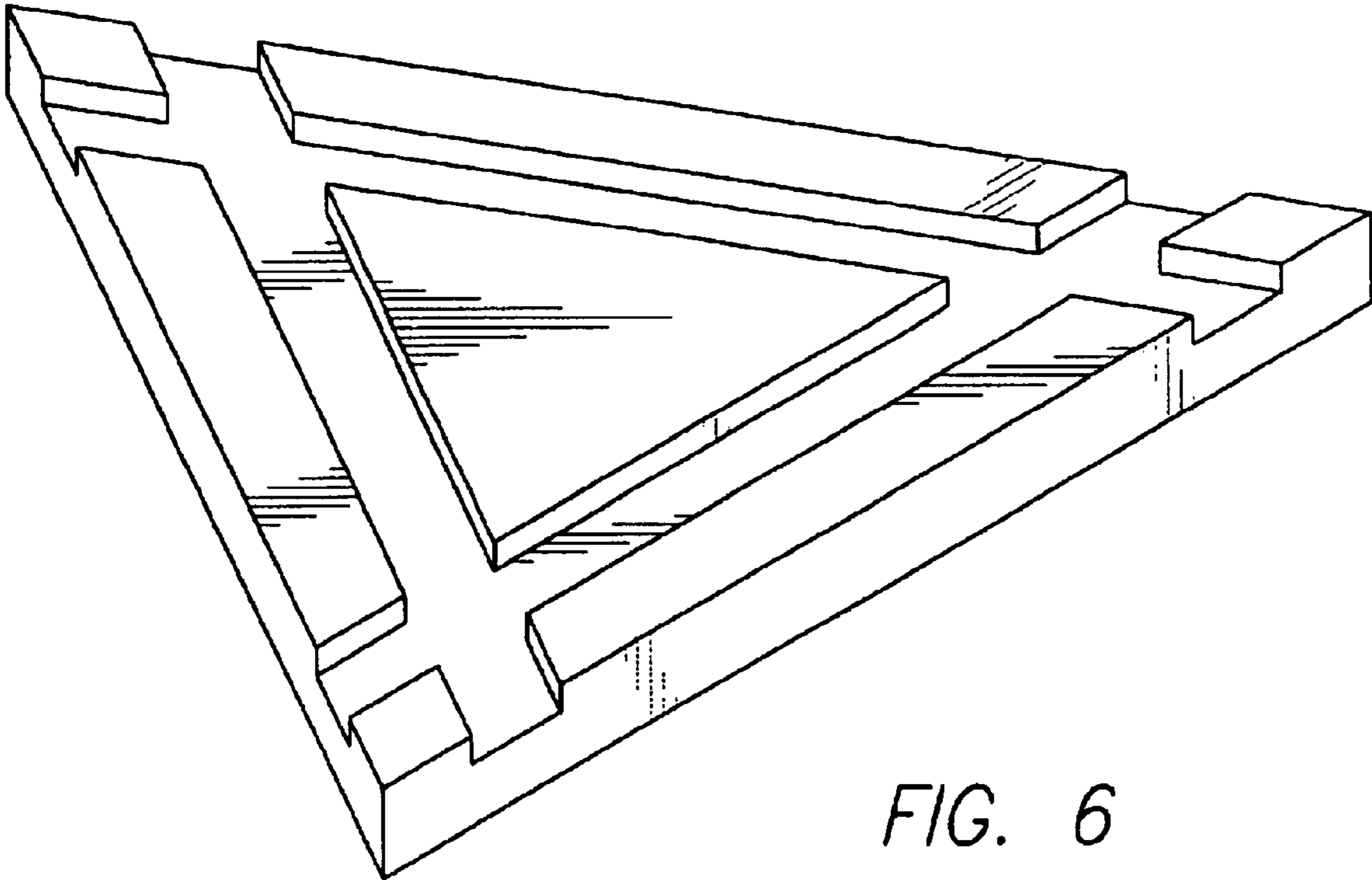


FIG. 6

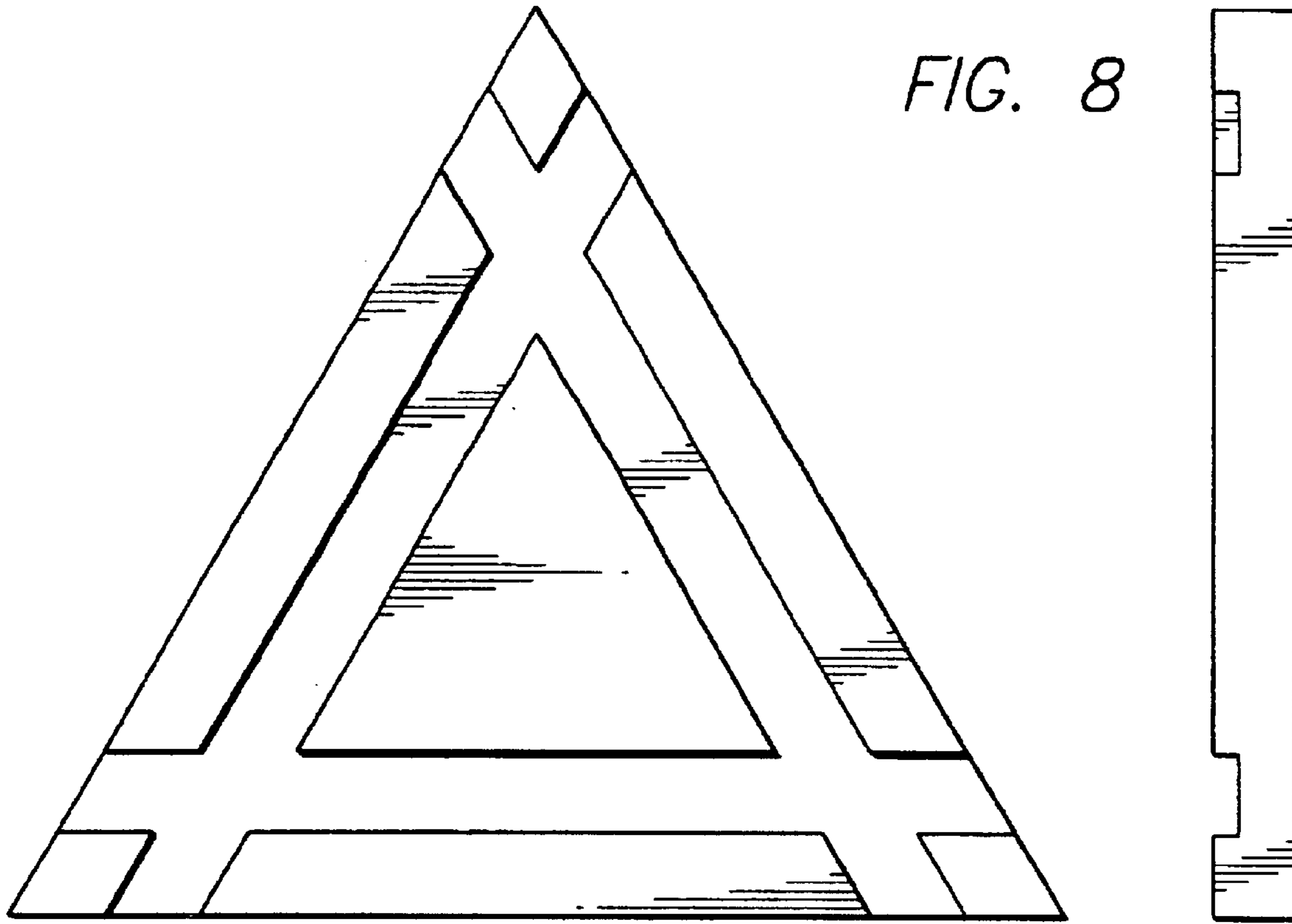


FIG. 7



FIG. 9



FIG. 10

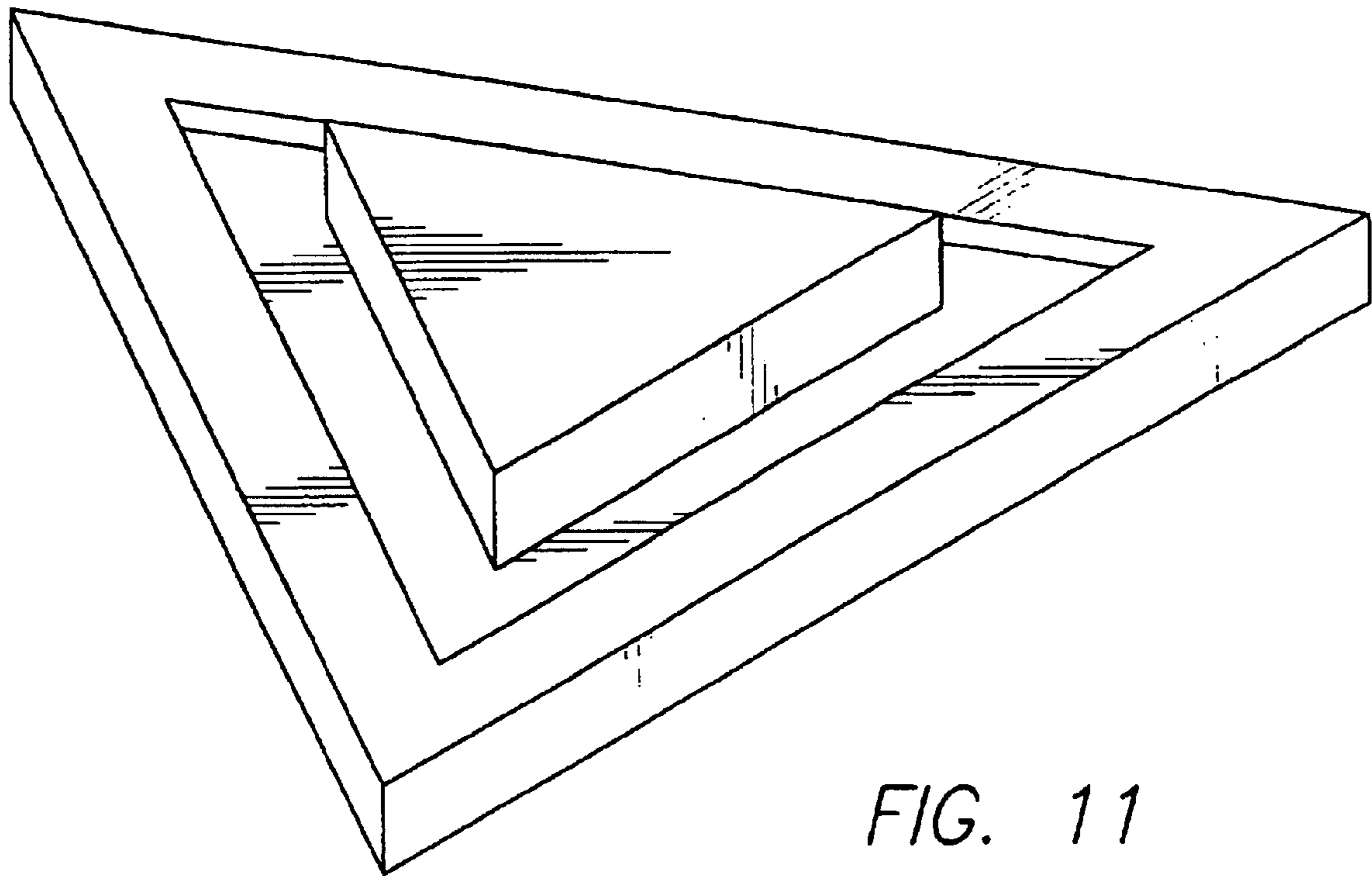


FIG. 11



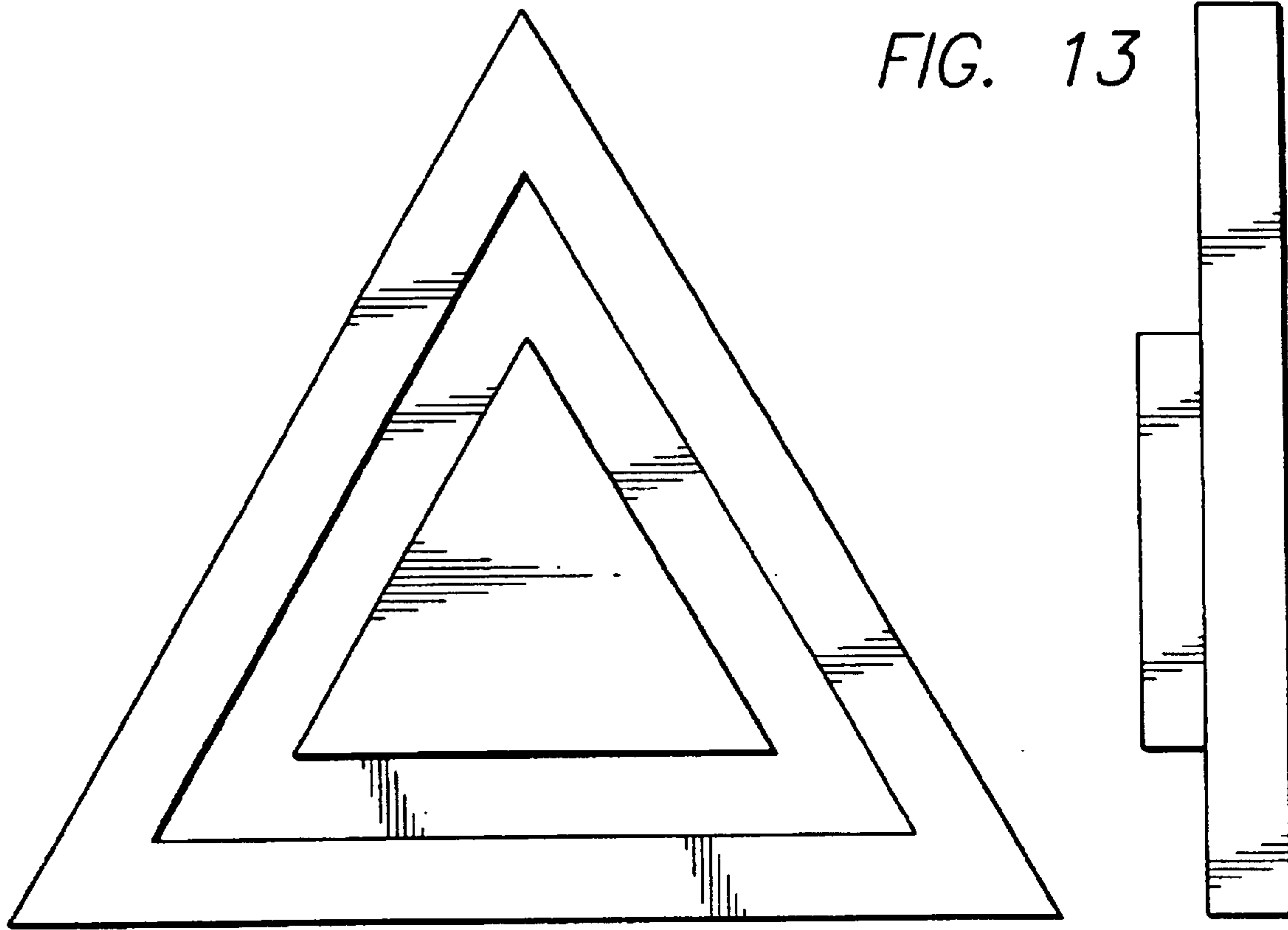


FIG. 13

FIG. 12

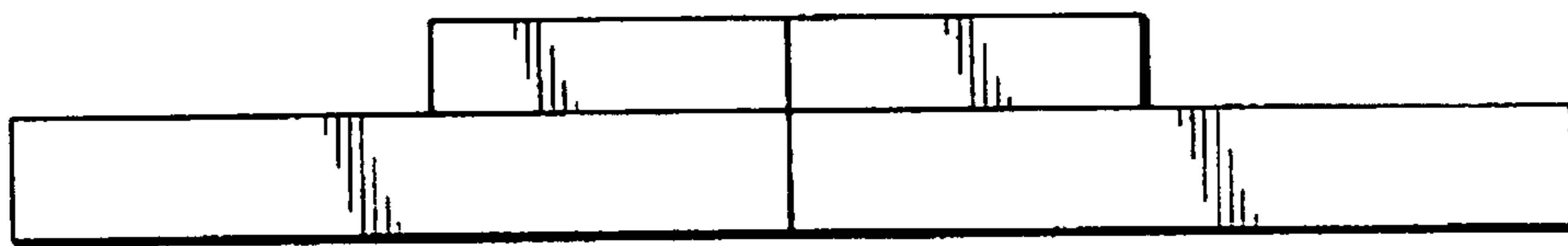


FIG. 14

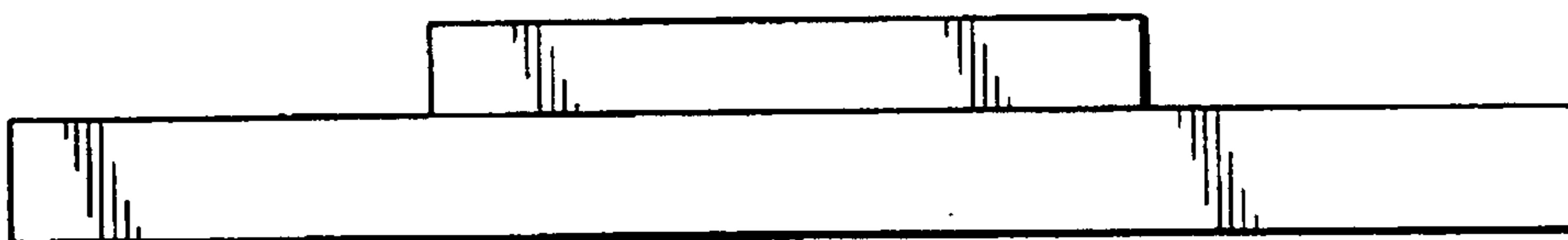


FIG. 15

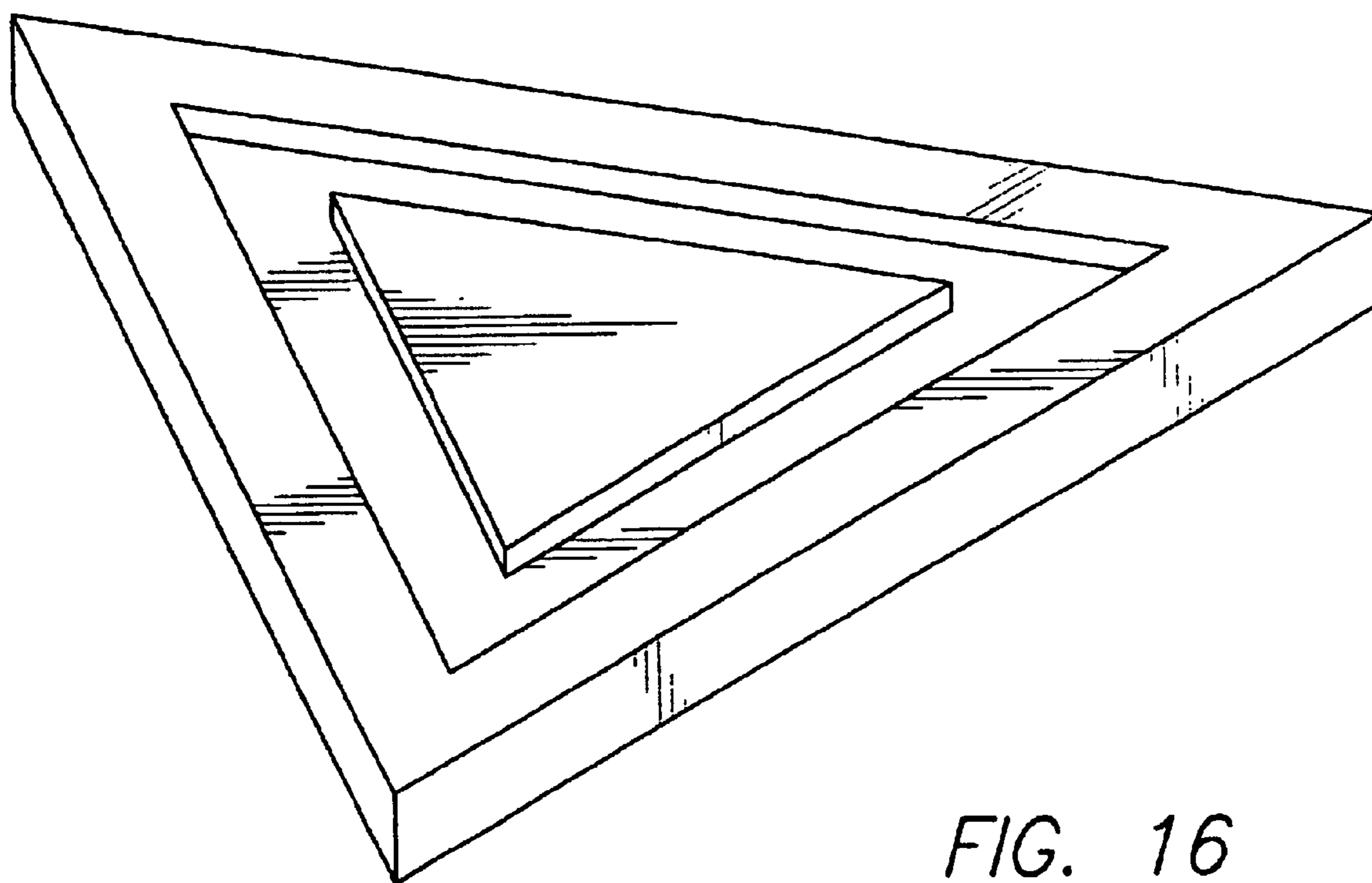


FIG. 16



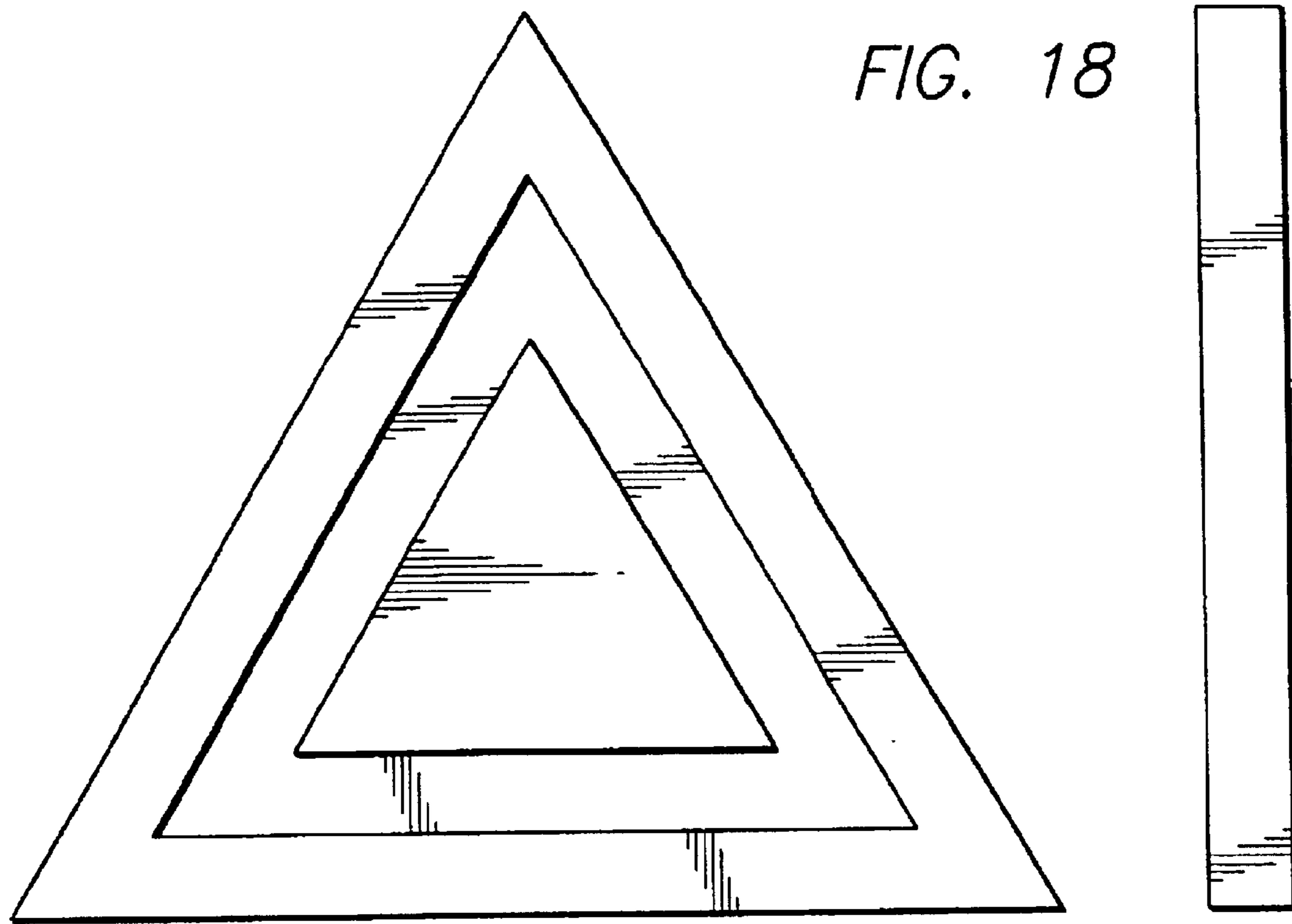


FIG. 18

FIG. 17

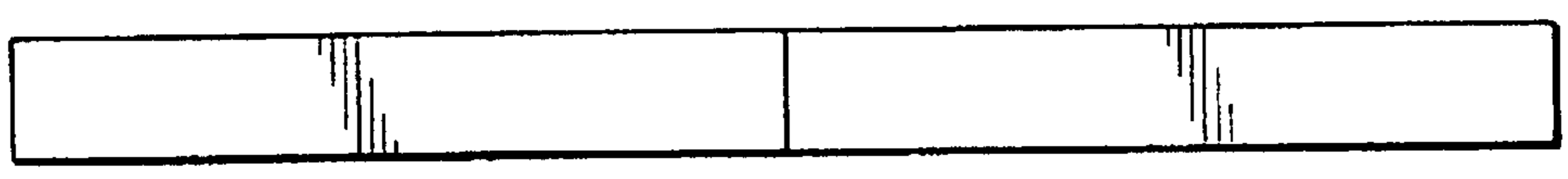


FIG. 19



FIG. 20