

US00D497209S1

(12) **United States Design Patent**
Ukon

(10) **Patent No.:** **US D497,209 S**
(45) **Date of Patent:** **** Oct. 12, 2004**

(54) **SPECIMEN TESTING DEVICE**

(75) **Inventor:** **Naomi Ukon, Tokyo (JP)**

(73) **Assignee:** **Daiichi Pure Chemicals Co., Ltd.,
Tokyo (JP)**

(**) **Term:** **14 Years**

(21) **Appl. No.:** **29/171,848**

(22) **Filed:** **Dec. 2, 2002**

(30) **Foreign Application Priority Data**

Jun. 10, 2002 (JP) 2002-015419

(51) **LOC (7) Cl.** **24-01**

(52) **U.S. Cl.** **D24/223; D24/216; D24/225**

(58) **Field of Search** **D24/225, 216,
D24/223; D10/81; 422/55, 56, 61, 68.1,
69; 435/287.2, 287.3, 806, 810, 970, 975;
436/65, 510, 814, 906**

(56) **References Cited**

U.S. PATENT DOCUMENTS

D288,744 S * 3/1987 Taylor D3/226

D299,859 S * 2/1989 Fan et al. D24/225
D299,860 S * 2/1989 Fan et al. D24/225
D309,012 S * 7/1990 Vcelka D24/223
D319,103 S * 8/1991 Chiu D24/223

* cited by examiner

Primary Examiner—Ian Simmons

(74) *Attorney, Agent, or Firm*—Hollander Law Firm, P.L.C.

(57) **CLAIM**

The ornamental design for a specimen testing device, as shown and described.

DESCRIPTION

FIG. 1 is top plan view of a specimen testing device showing my new design;

FIG. 2 is a bottom plan view thereof;

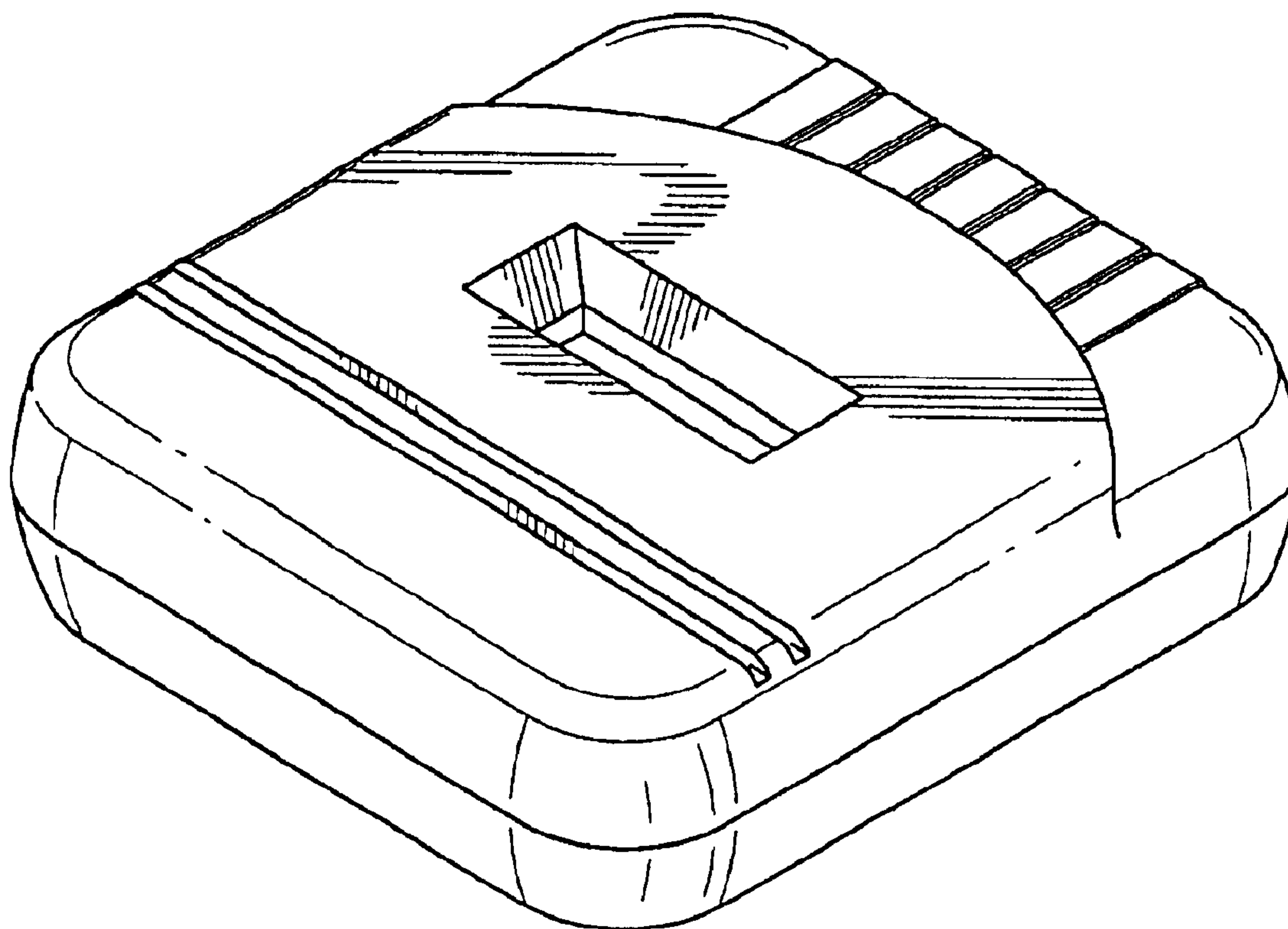
FIG. 3 is a front elevational view thereof;

FIG. 4 is a rear elevational view thereof;

FIG. 5 is a right side elevational view thereof, the left side elevational view being identical thereto; and,

FIG. 6 is a top perspective view thereof.

1 Claim, 3 Drawing Sheets



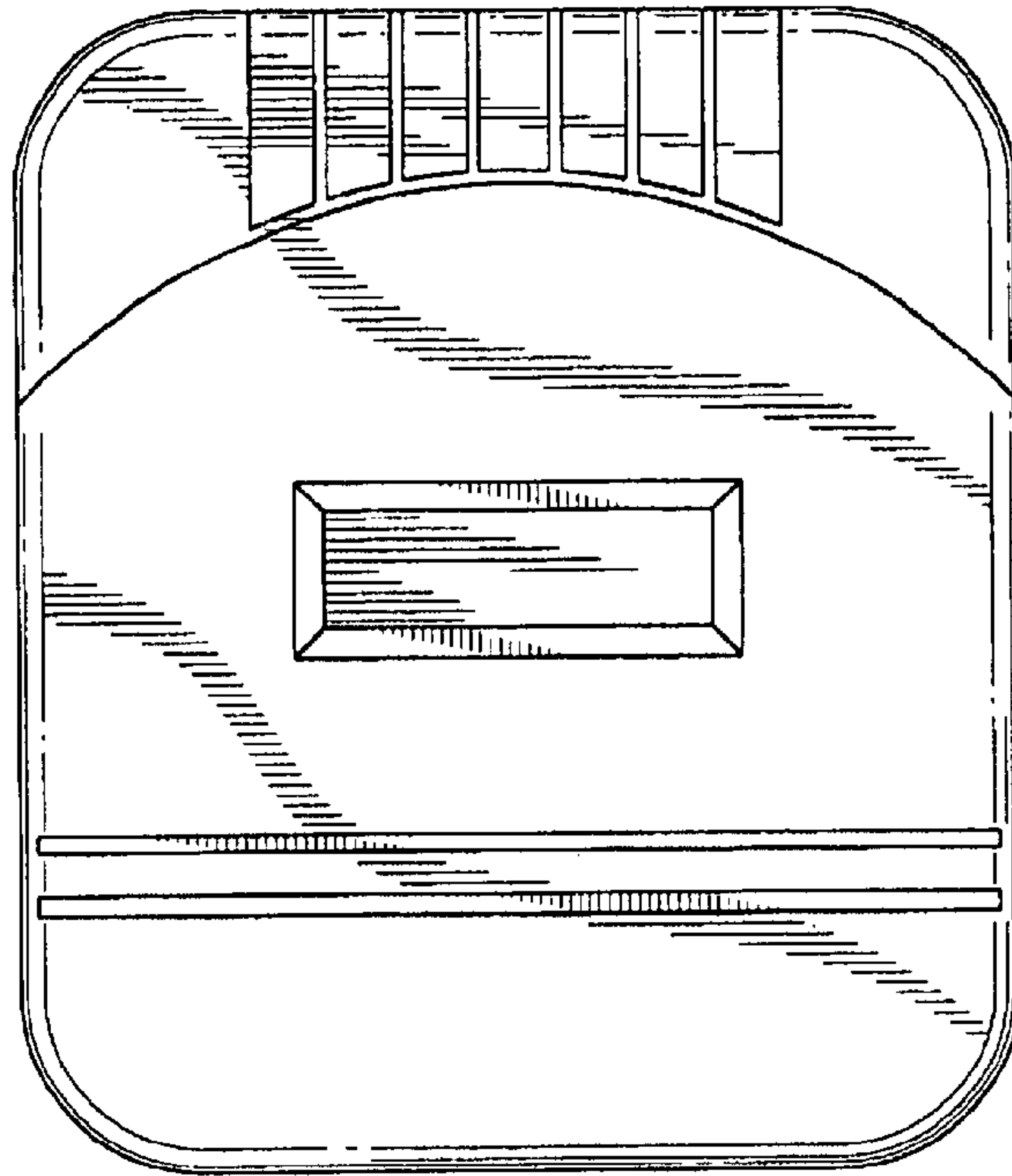


FIG. 1

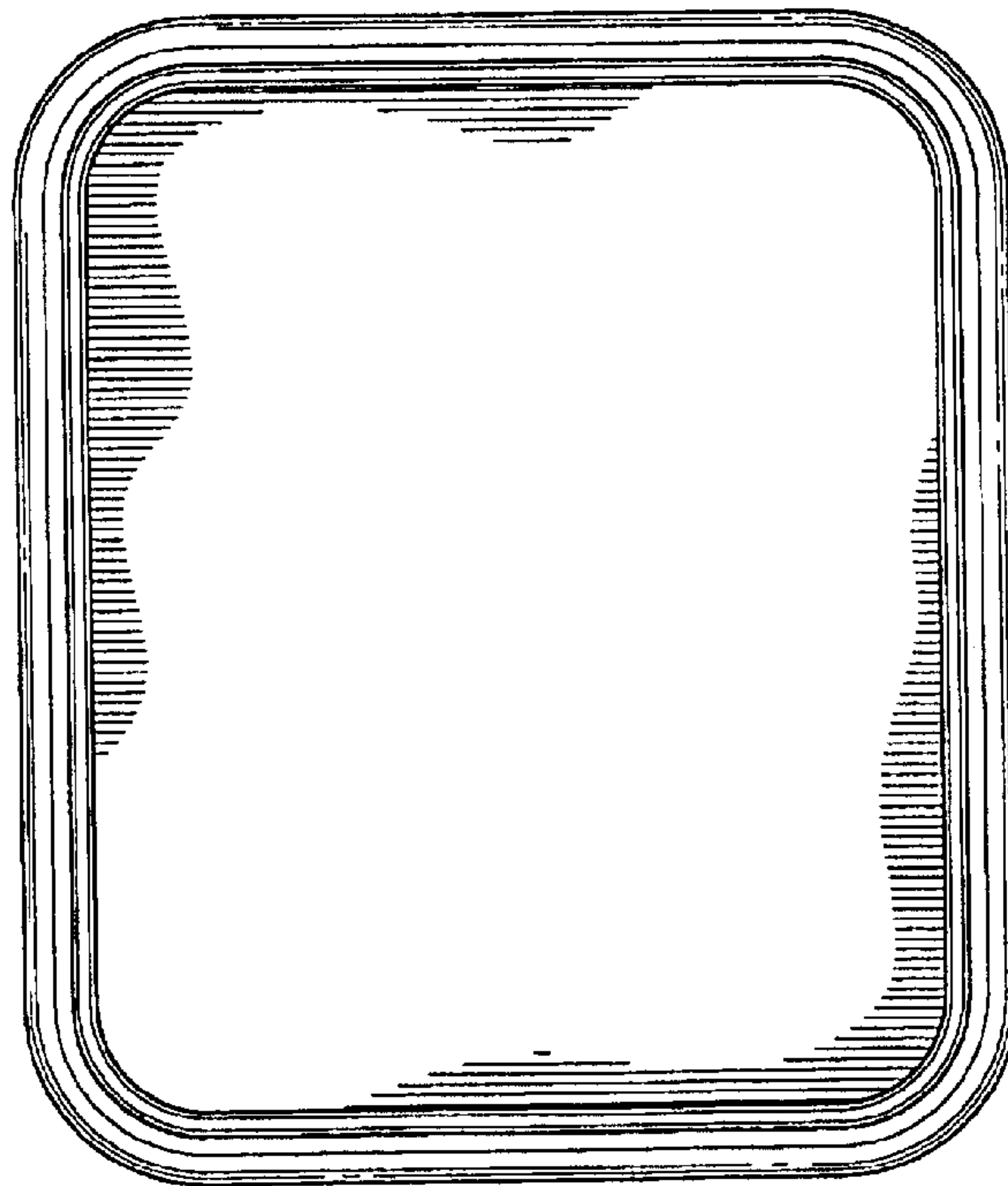


FIG. 2

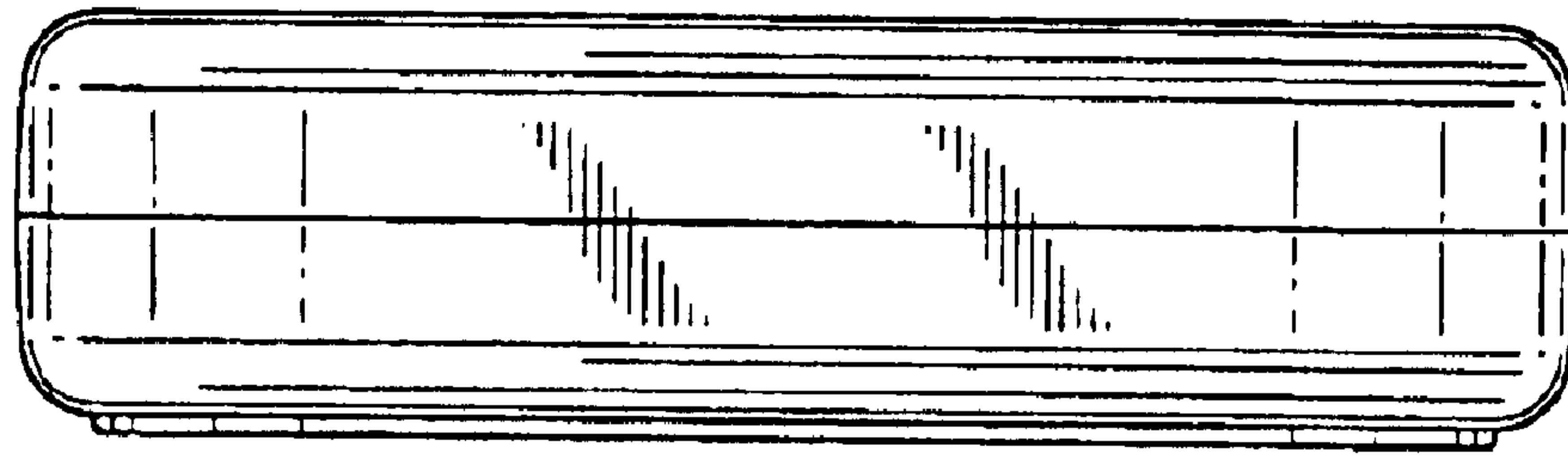


FIG. 3

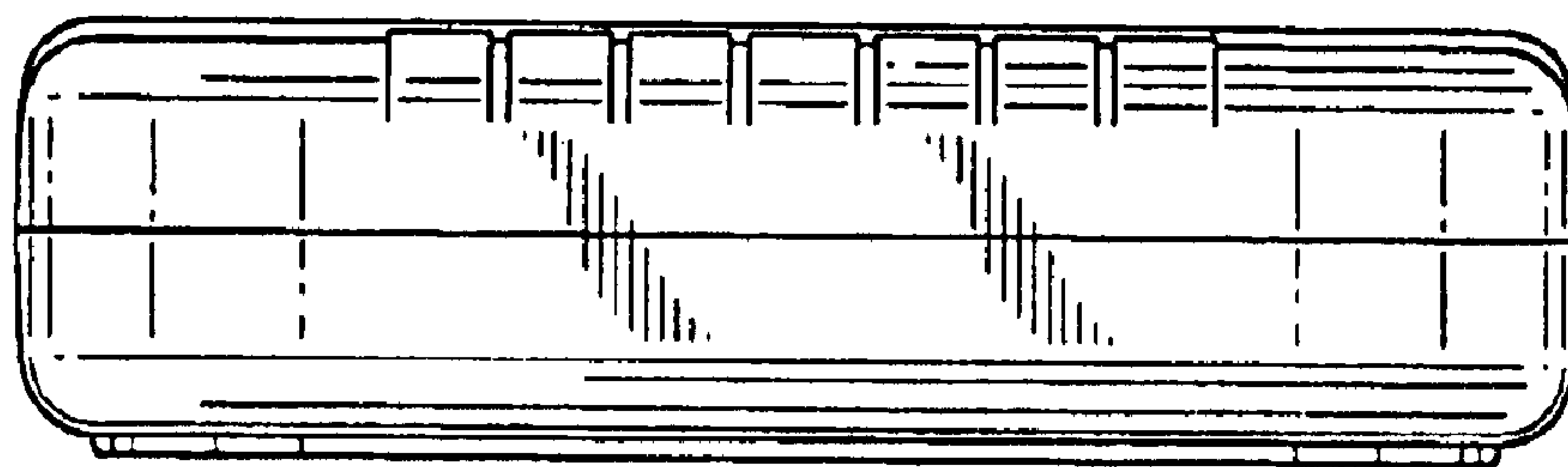


FIG. 4

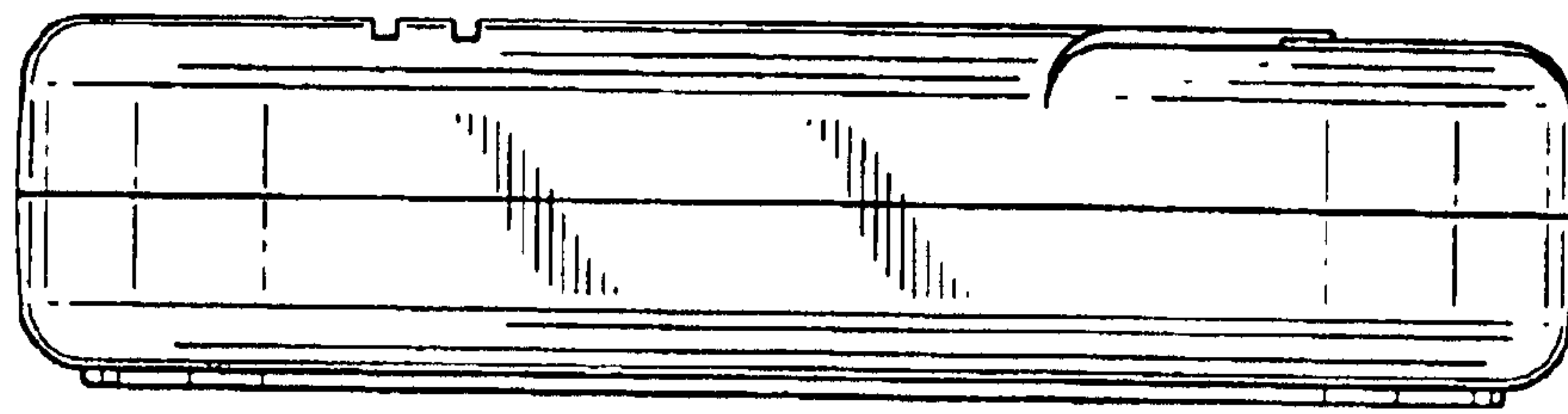


FIG. 5

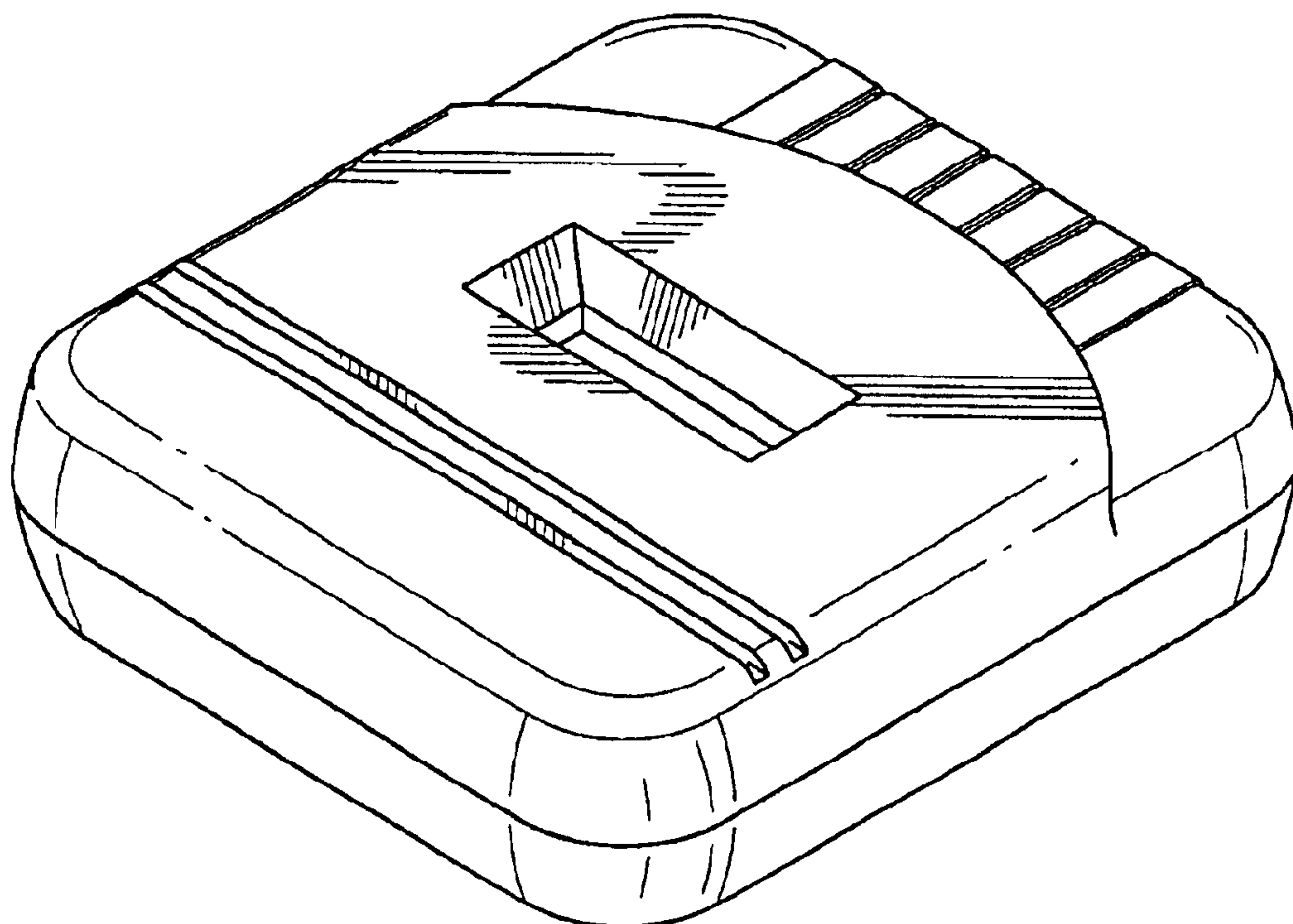


FIG. 6