

US00D497200S1

(12) **United States Design Patent**
Kakihana

(10) **Patent No.:** **US D497,200 S**
(45) **Date of Patent:** **** Oct. 12, 2004**

(54) **SINK BOWL**

(75) Inventor: **Hajime Kakihana**, Fukuoka (JP)

(73) Assignee: **Toto Ltd.**, Fukuoka (JP)

(**) Term: **14 Years**

(21) Appl. No.: **29/189,352**

(22) Filed: **Sep. 4, 2003**

(30) **Foreign Application Priority Data**

Mar. 20, 2003 (JP) 2003-007486

(51) **LOC (7) Cl.** **23-02**

(52) **U.S. Cl.** **D23/292**

(58) **Field of Search** D23/271, 273,
D23/284-287, 289-292, 293.1, 303, 308;
4/663-665, 619, 661, 630-636, 645-646,
648, 650-652, 638, 643

(56) **References Cited**

U.S. PATENT DOCUMENTS

D322,664 S * 12/1991 Poulson D23/292

* cited by examiner

Primary Examiner—Robert A. Delehanty

(74) *Attorney, Agent, or Firm*—Birch, Stewart, Kolasch & Birch, LLP

(57) **CLAIM**

The ornamental design for a sink bowl, as shown and described.

DESCRIPTION

FIG. 1 is a front perspective view of a sink bowl showing my new design;

FIG. 2 is a front elevational view thereof;

FIG. 3 is a rear elevational view thereof;

FIG. 4 is a top plan view thereof;

FIG. 5 is a bottom plan thereof;

FIG. 6 is a left side elevational view thereof; and,

FIG. 7 is a right side elevational view thereof.

1 Claim, 2 Drawing Sheets

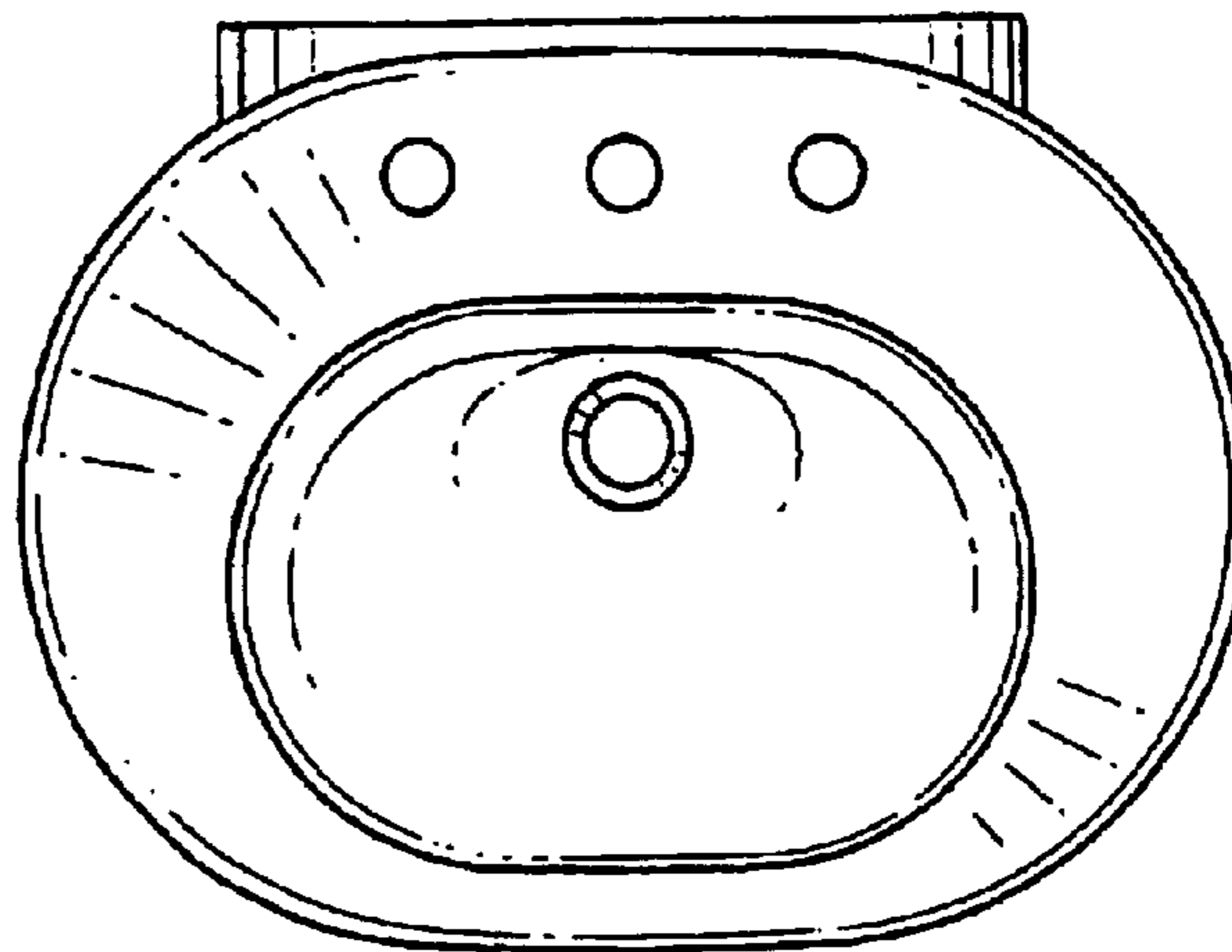
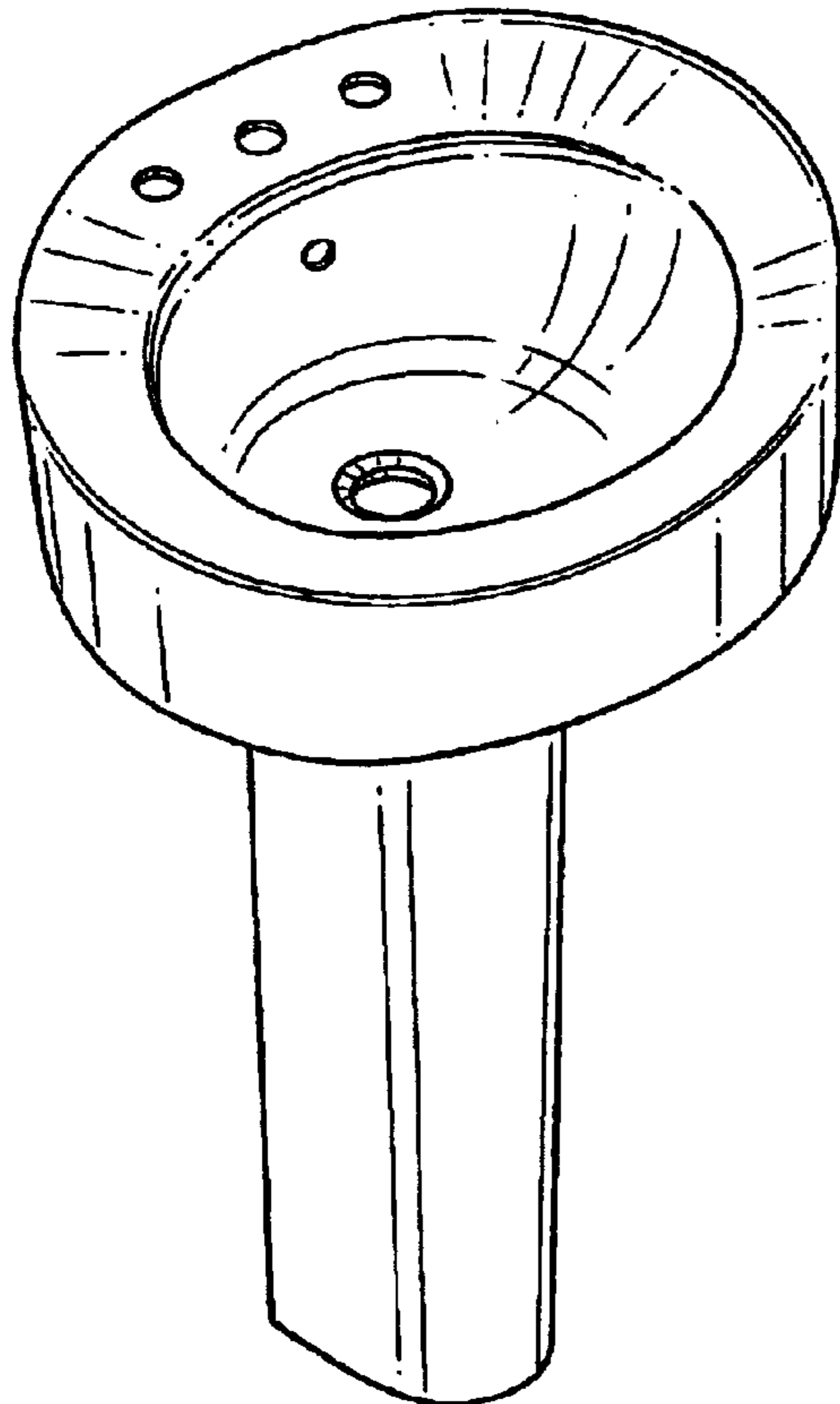


FIG. 3

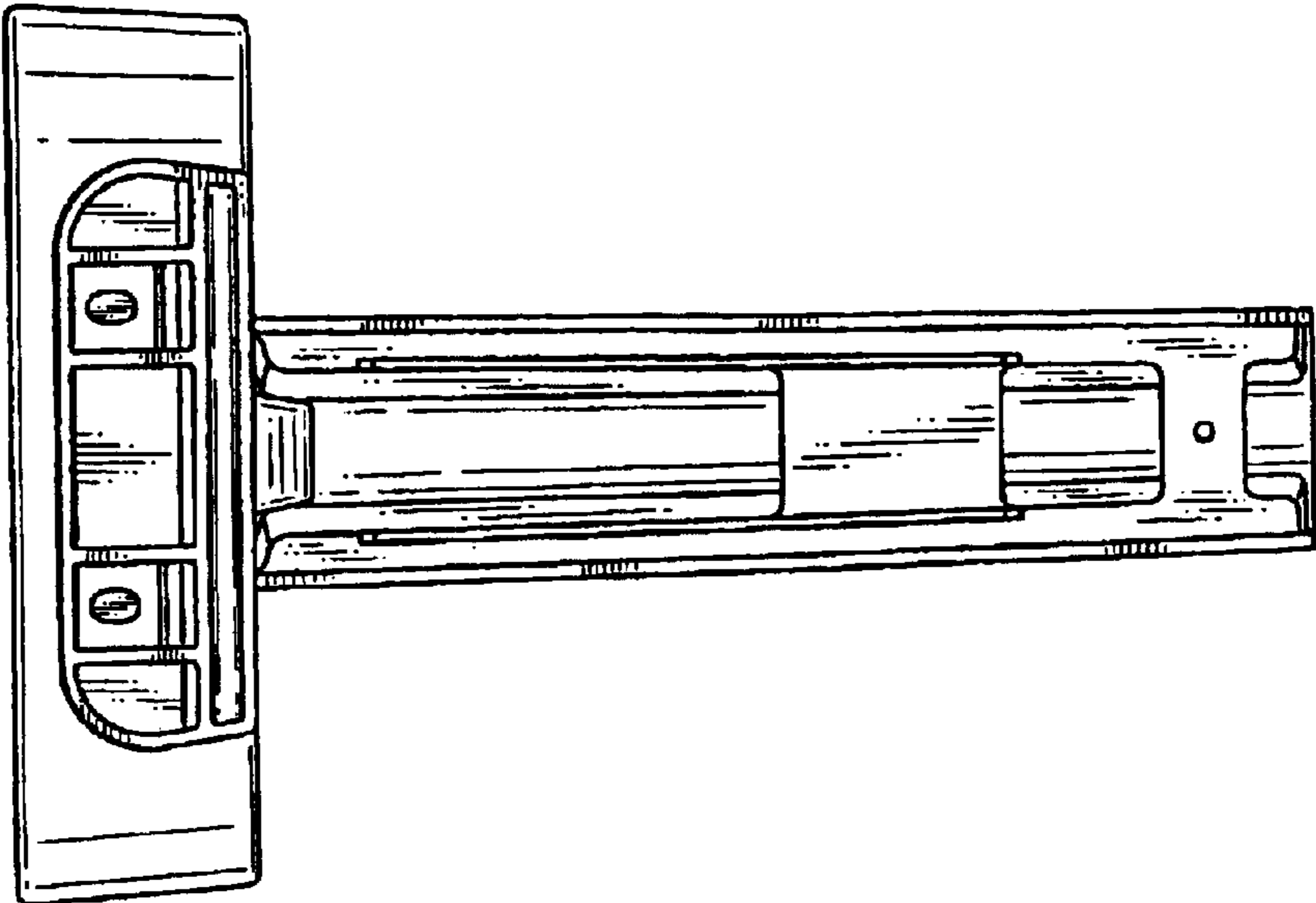


FIG. 2

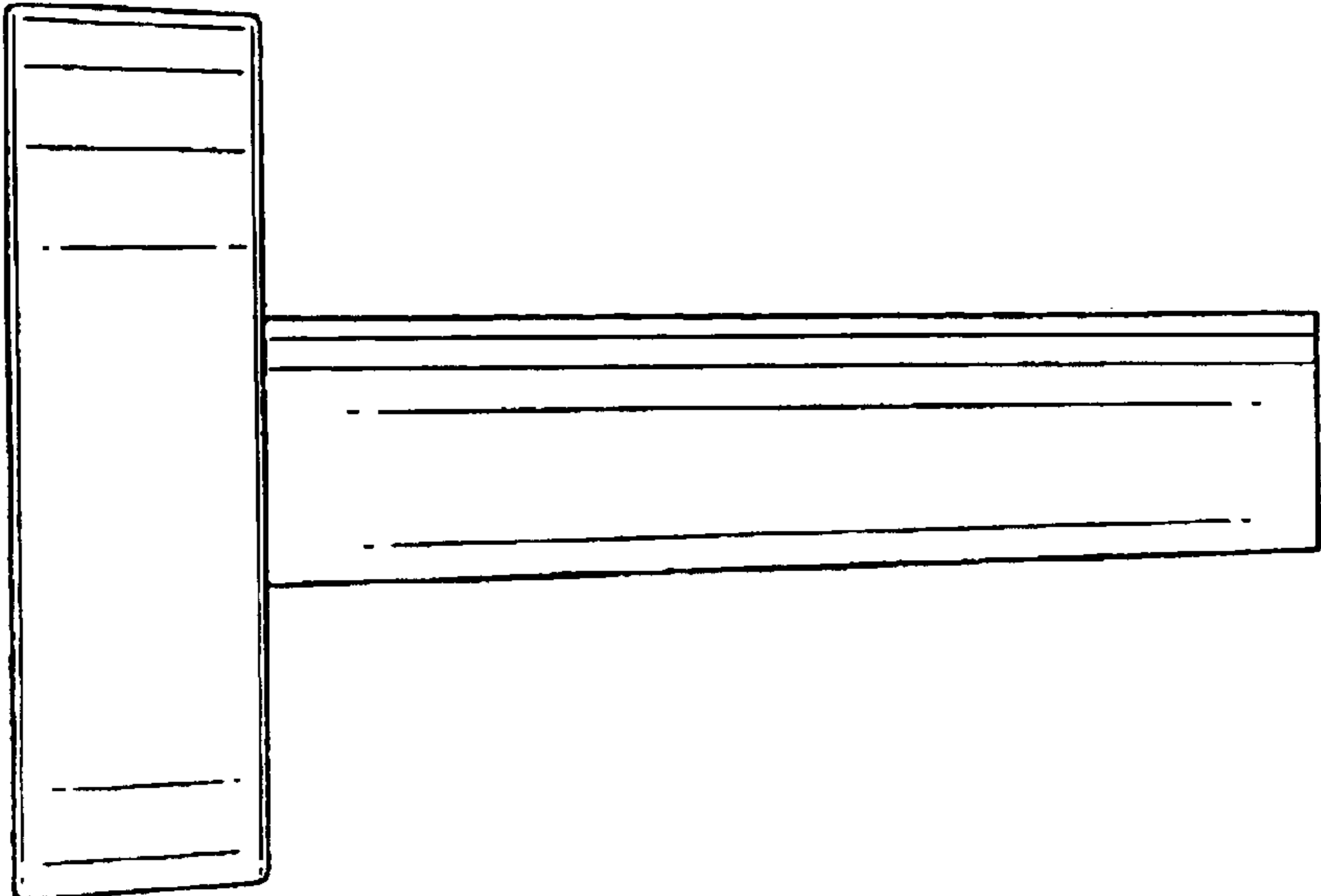


FIG. 1

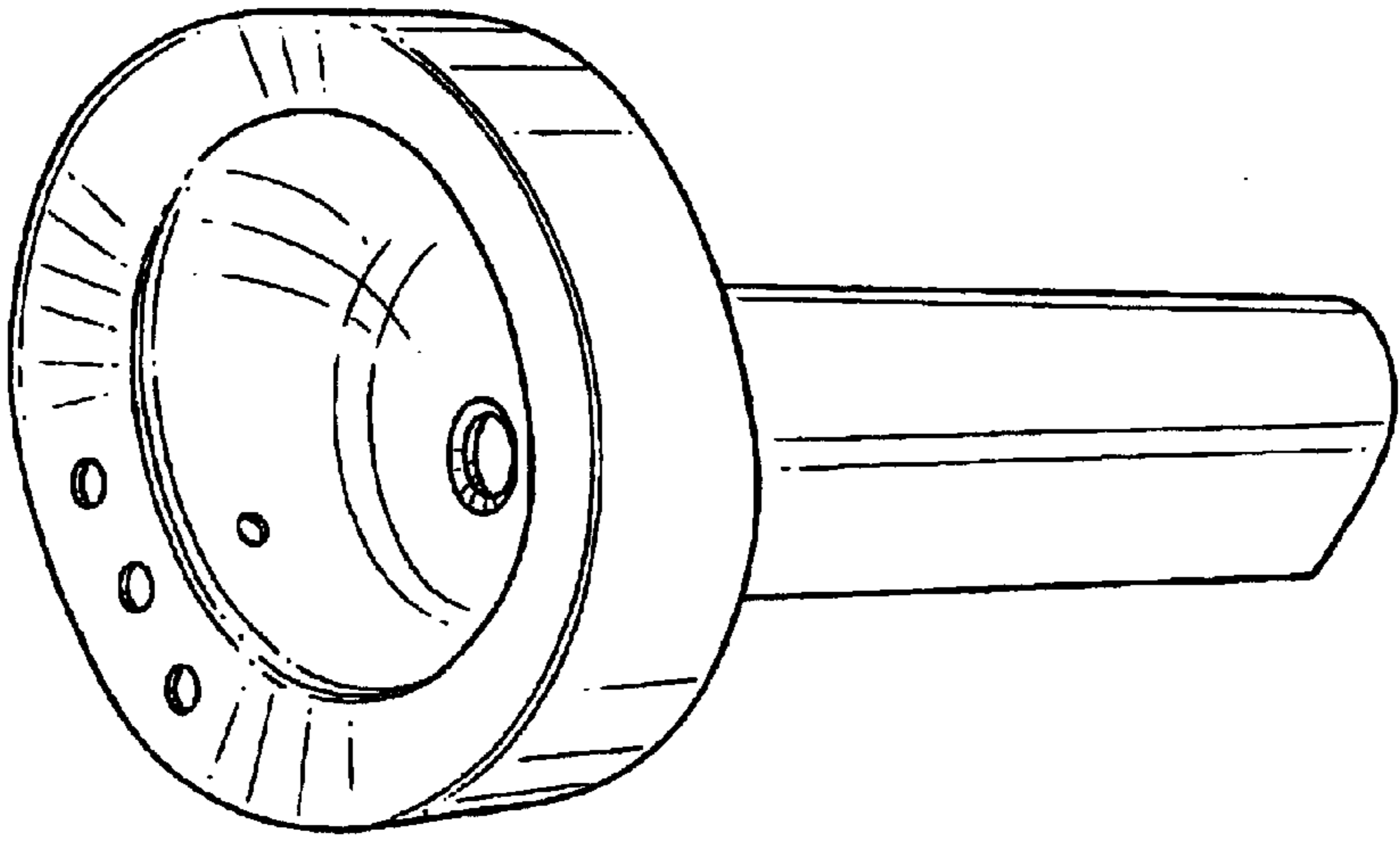


FIG. 4

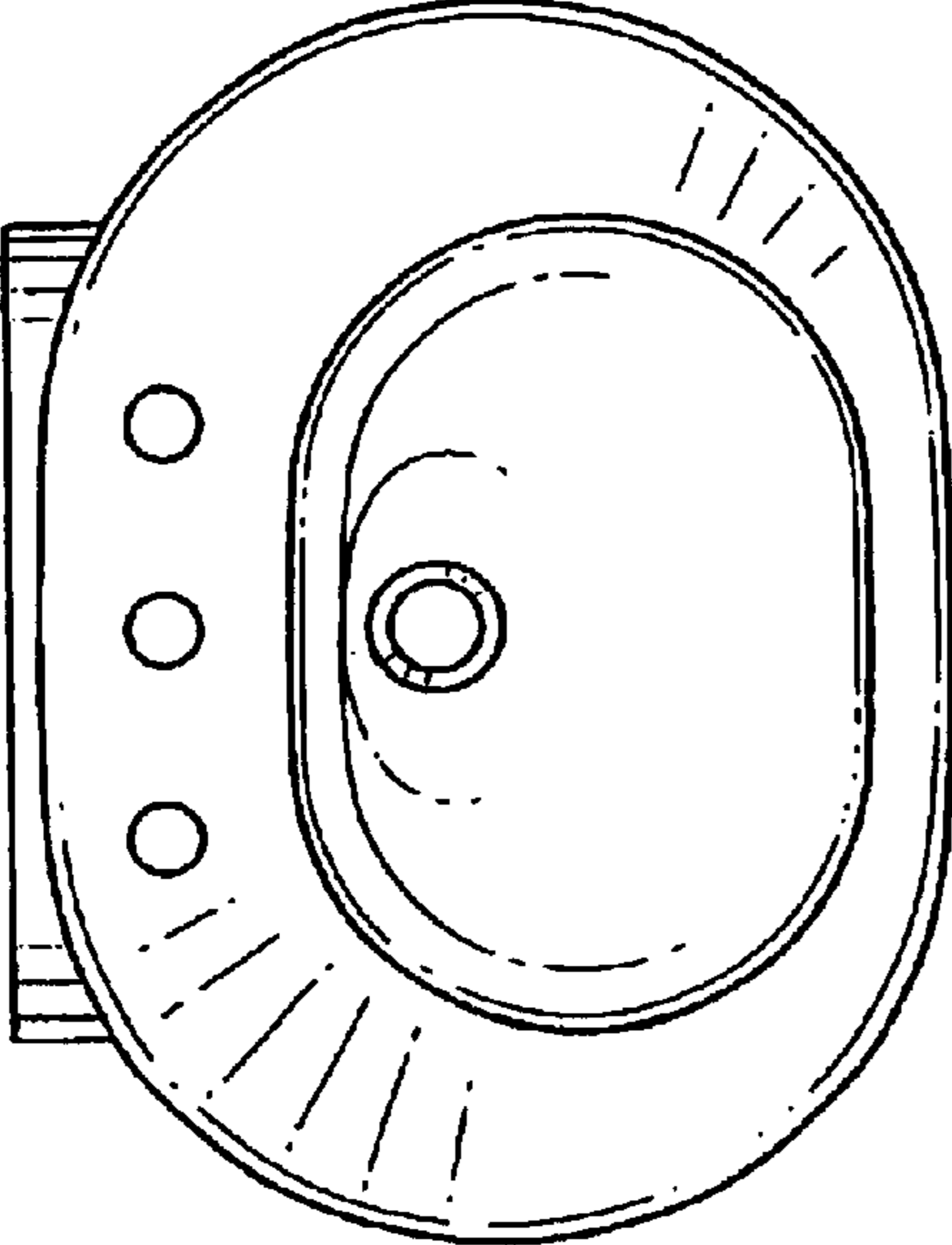


FIG. 5

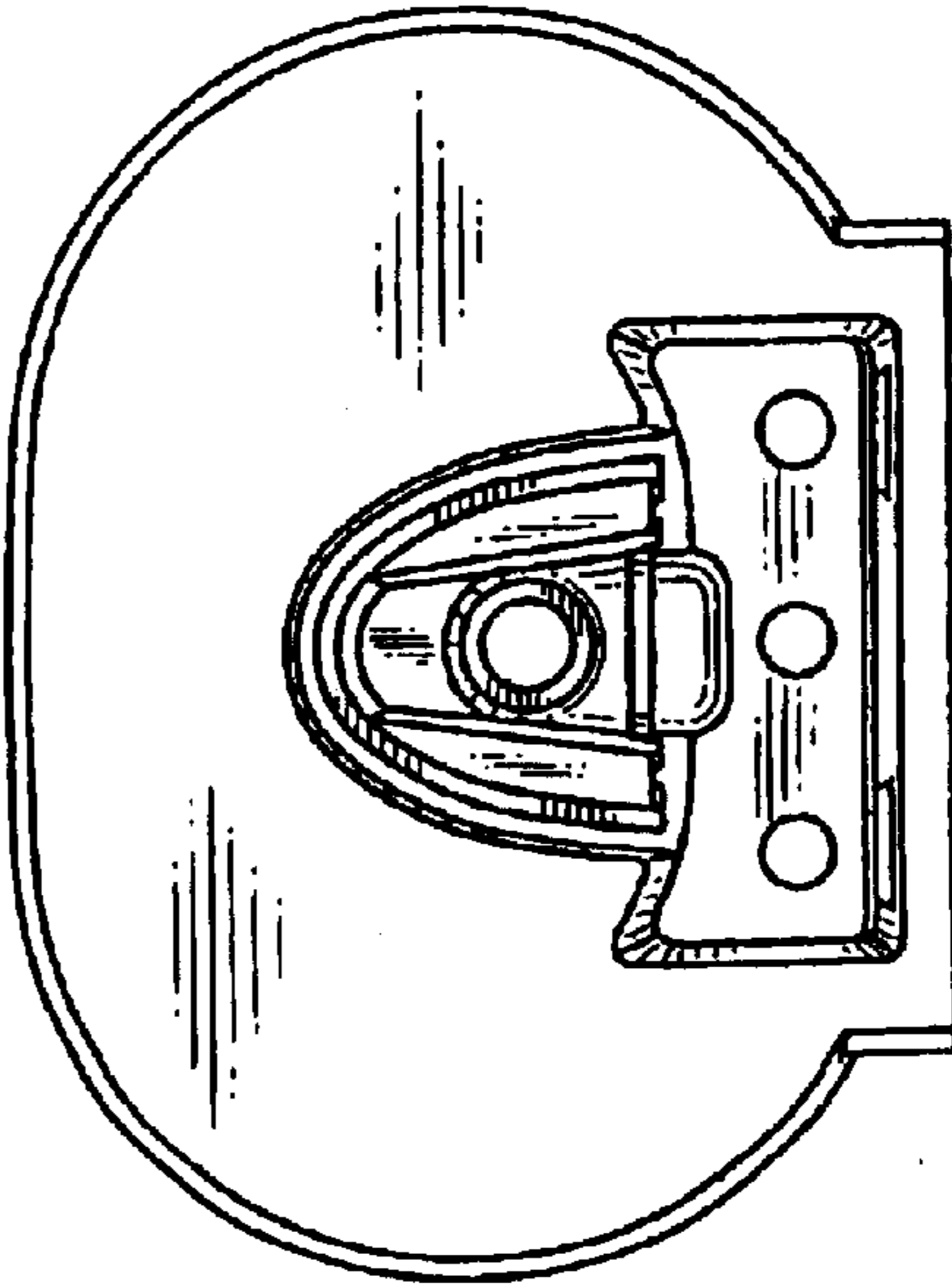


FIG. 7

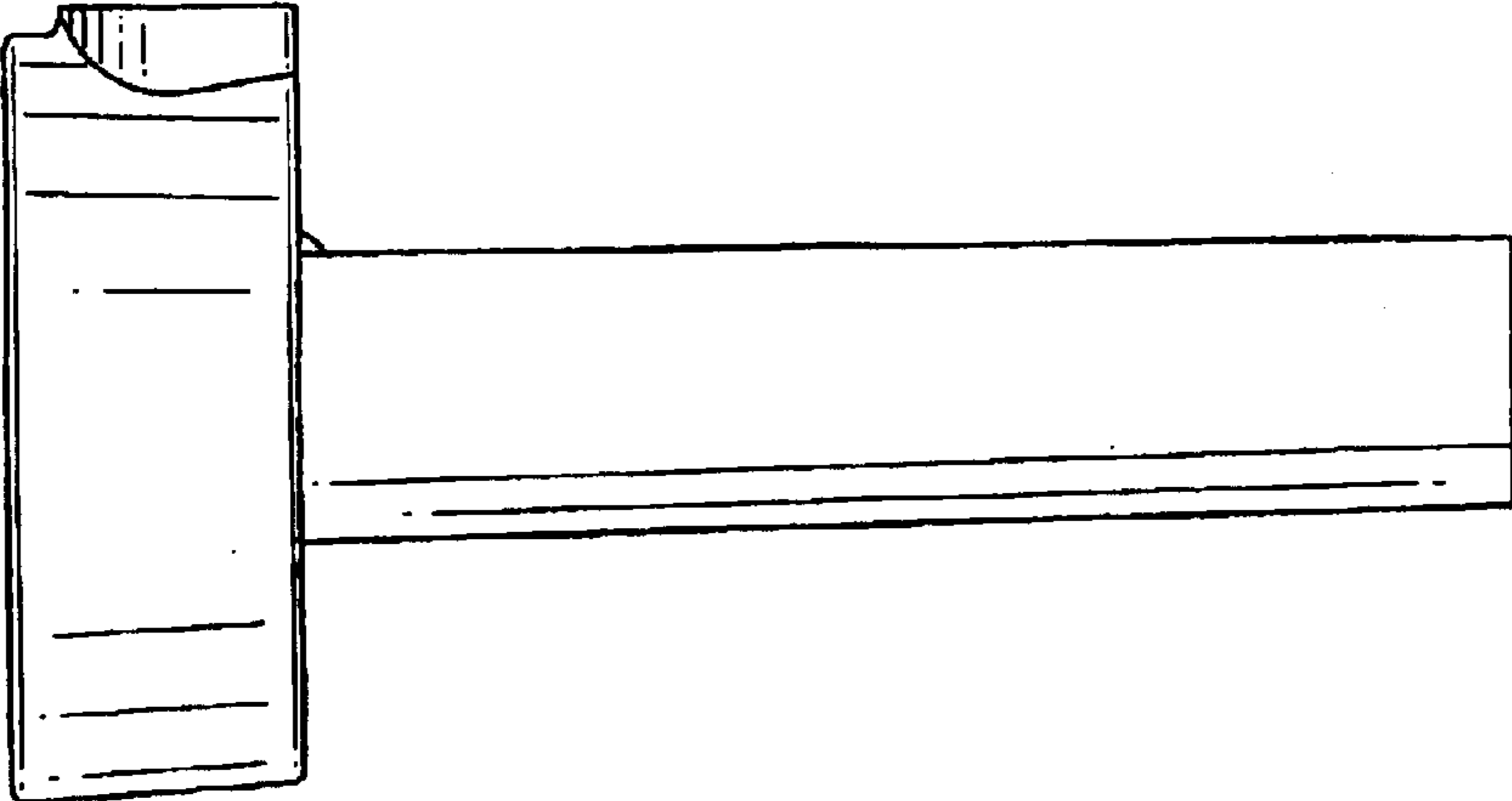


FIG. 6

