

US00D497199S1

(12) **United States Design Patent** (10) **Patent No.:** **US D497,199 S**  
**Lockwood** (45) **Date of Patent:** **\*\* Oct. 12, 2004**

(54) **ADJUSTABLE AND PORTABLE SHAMPOO BASIN**

*Primary Examiner*—Robert A. Delehanty  
(74) *Attorney, Agent, or Firm*—Arthur G. Yeager

(76) **Inventor:** **Mary Olene Lockwood**, 5519 Nettie Rd., Jacksonville, FL (US) 32207

(57) **CLAIM**

(\*\*) **Term:** **14 Years**

I claim the ornamental design for an adjustable and portable shampoo basin, as shown and described.

(21) **Appl. No.:** **29/188,537**

**DESCRIPTION**

(22) **Filed:** **Aug. 21, 2003**

(51) **LOC (7) Cl.** ..... **23-02**

(52) **U.S. Cl.** ..... **D23/289**

(58) **Field of Search** ..... D23/271, 273,  
D23/284–287, 293.1, 303, 308, 289–292;  
4/630–642, 661, 663–665, 650–652; D6/498;  
D28/9, 20

FIG. 1 is a rear side perspective view of an adjustable and portable shampoo basin showing my new design;  
FIG. 2 is a right side elevational view thereof with the telescoping member being broken away;  
FIG. 3 is a left side elevational view thereof with the telescoping member being broken away;  
FIG. 4 is a rear elevational view thereof with the telescoping member being broken away;  
FIG. 5 is a front elevational view thereof;  
FIG. 6 is a top plan view thereof;  
FIG. 7 is a bottom plan view thereof; and,  
FIG. 8 is a rear side perspective view of an alternate adjustable base shown separately from the portable shampoo basin for clarity of illustration.

(56) **References Cited**

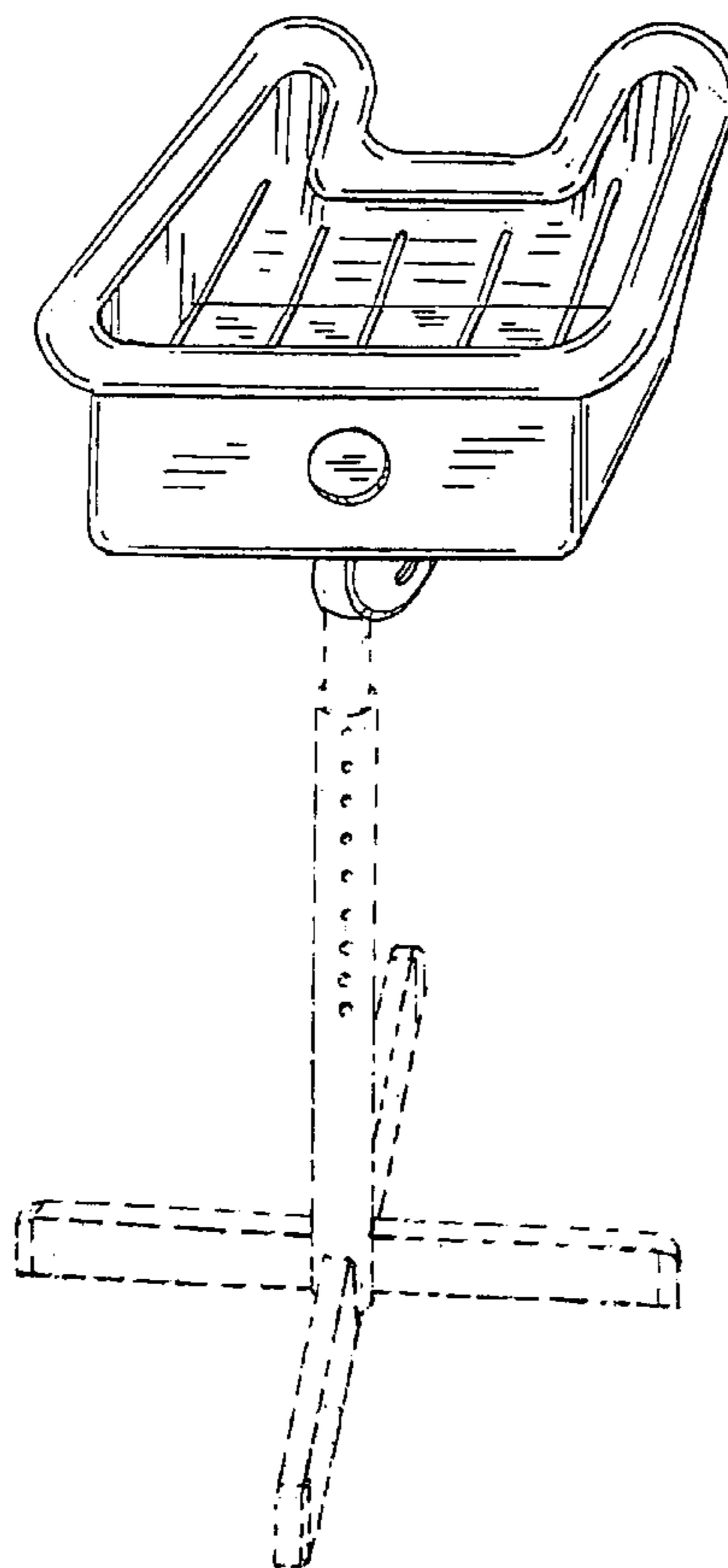
**U.S. PATENT DOCUMENTS**

2,496,684	A	*	2/1950	Upchurch	.....	4/519
D216,852	S	*	3/1970	Farwick	.....	D28/9
D227,202	S	*	6/1973	Winkler	.....	D28/9
3,965,496	A	*	6/1976	Grelle	.....	4/517
4,821,347	A	*	4/1989	Nash	.....	4/516
5,289,597	A	*	3/1994	Sidola	.....	4/519
D481,563	S	*	11/2003	Hsieh	.....	D6/498
D482,549	S	*	11/2003	Tsai	.....	D6/498
2003/0070217	A1	*	4/2003	Mazzulla et al.	.....	4/516

The broken line showing of adjustable base units is for illustrative purposes only and forms no part of the claimed design.

\* cited by examiner

**1 Claim, 8 Drawing Sheets**



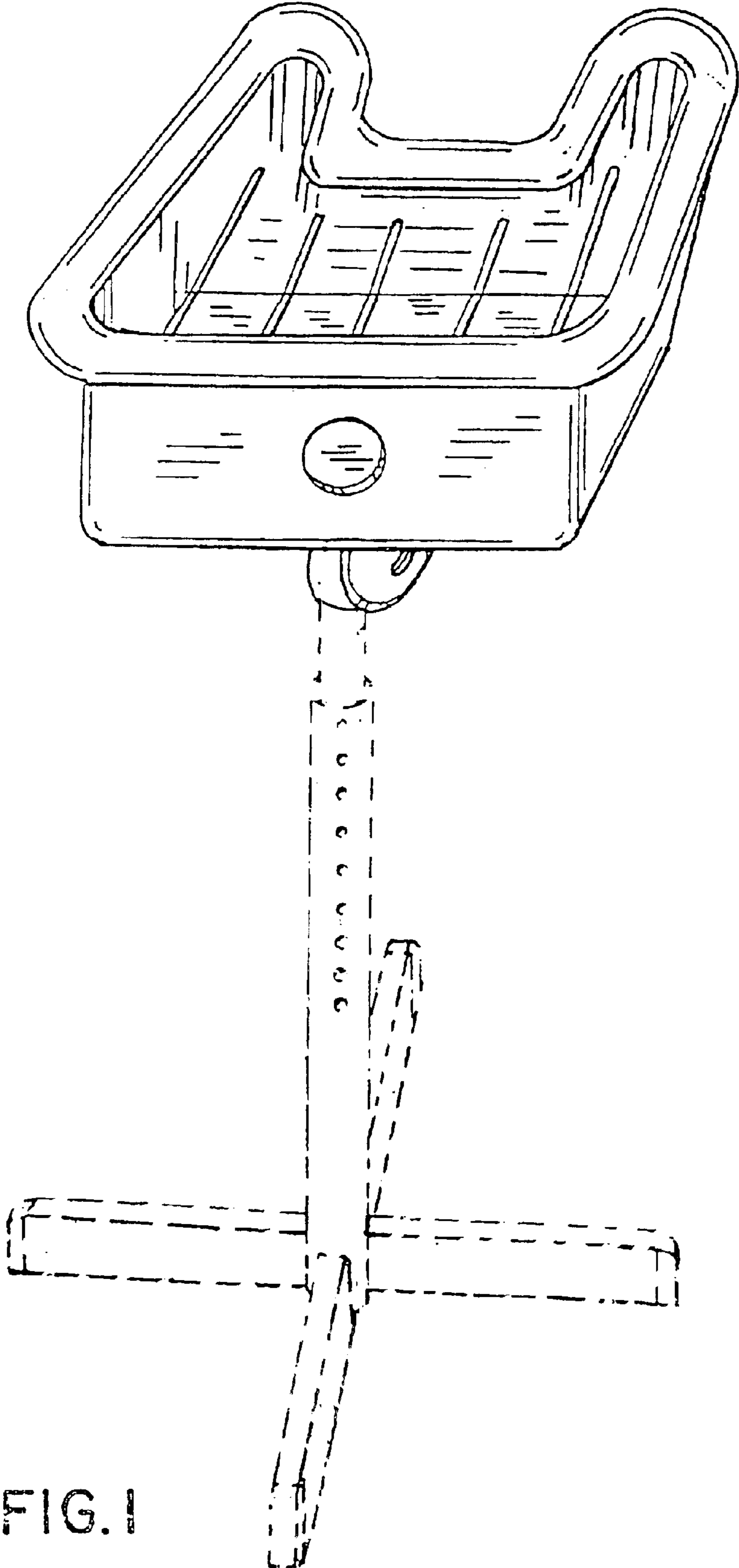


FIG. 1

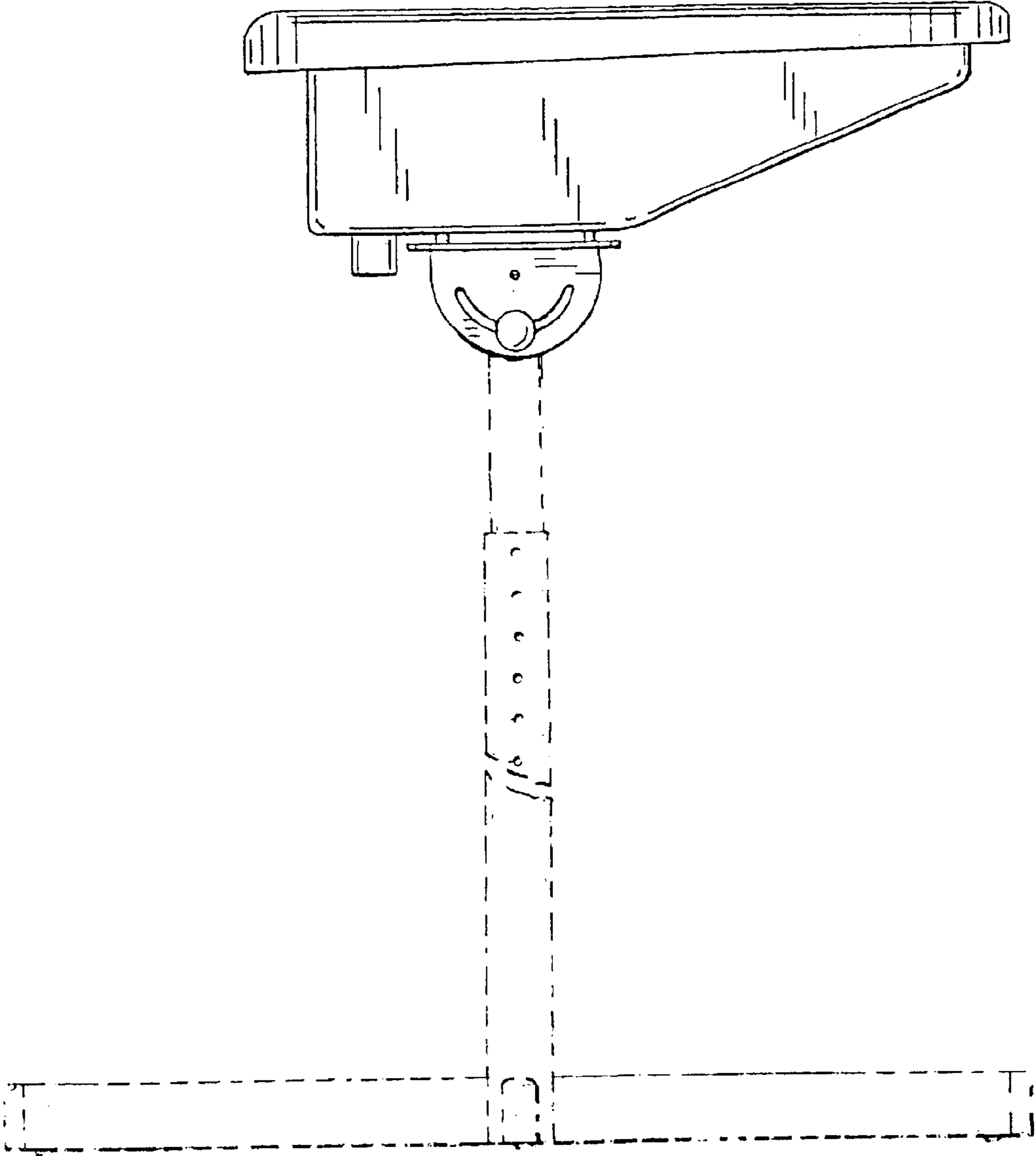


FIG. 2

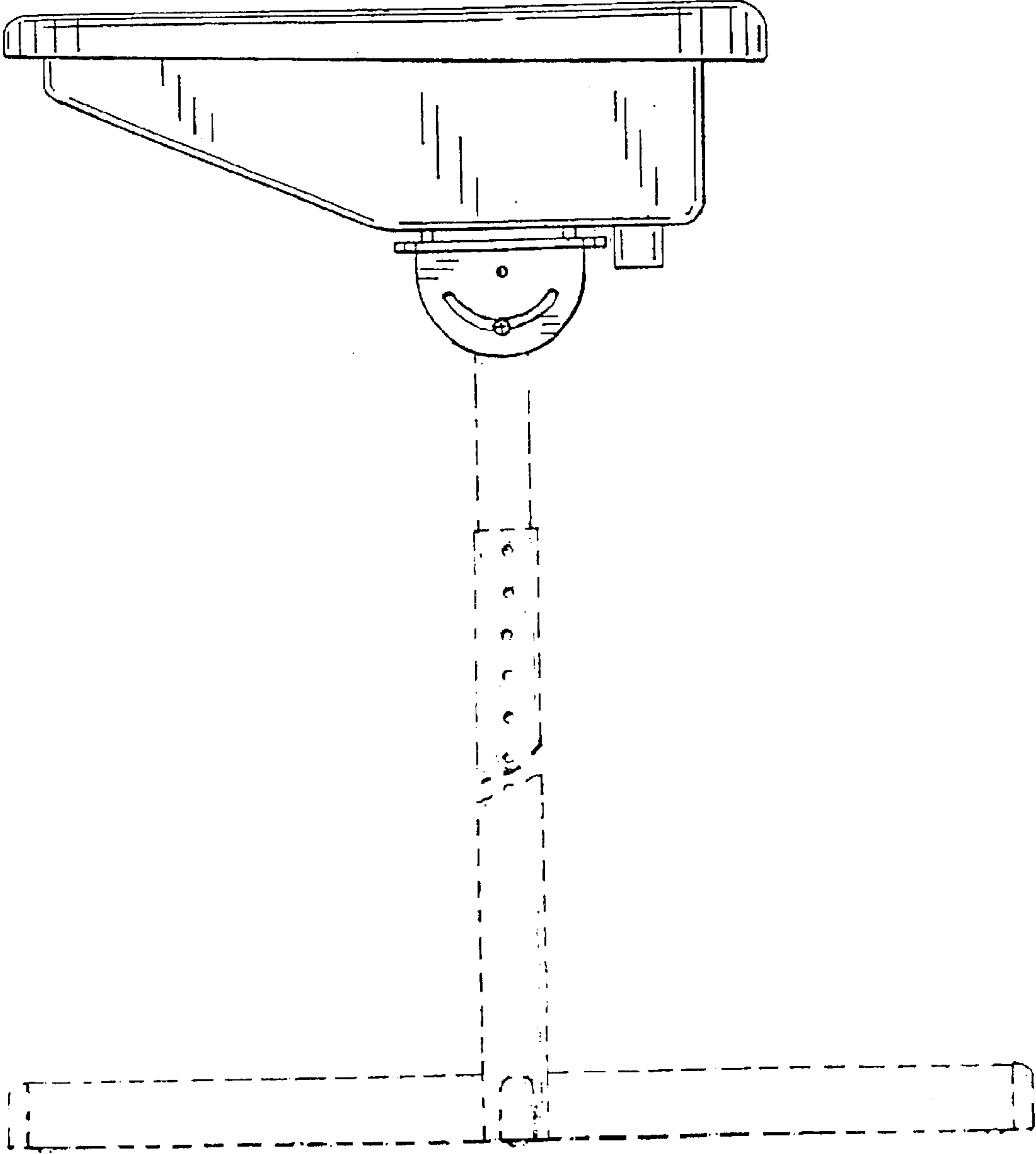


FIG. 3

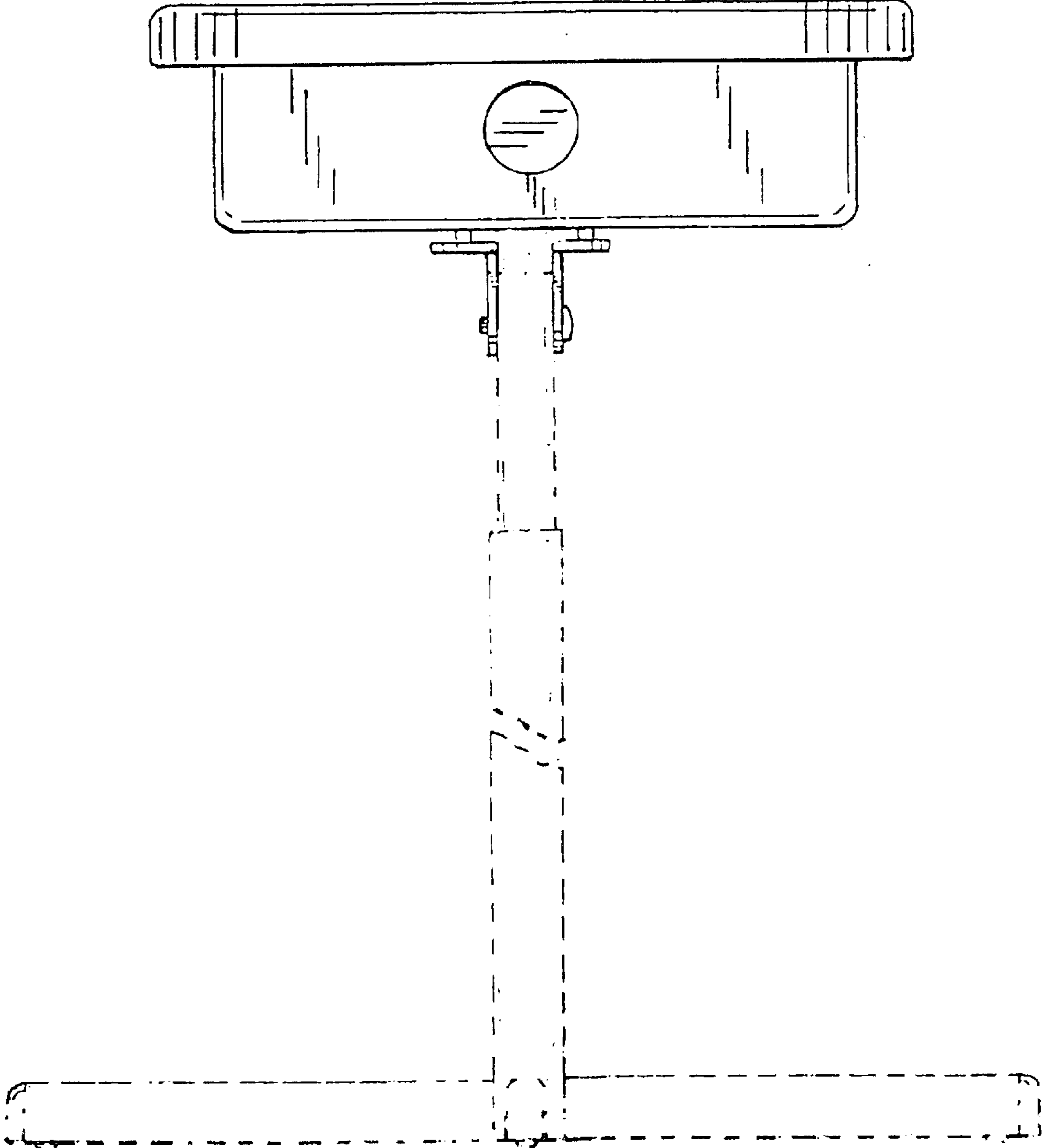


FIG. 4

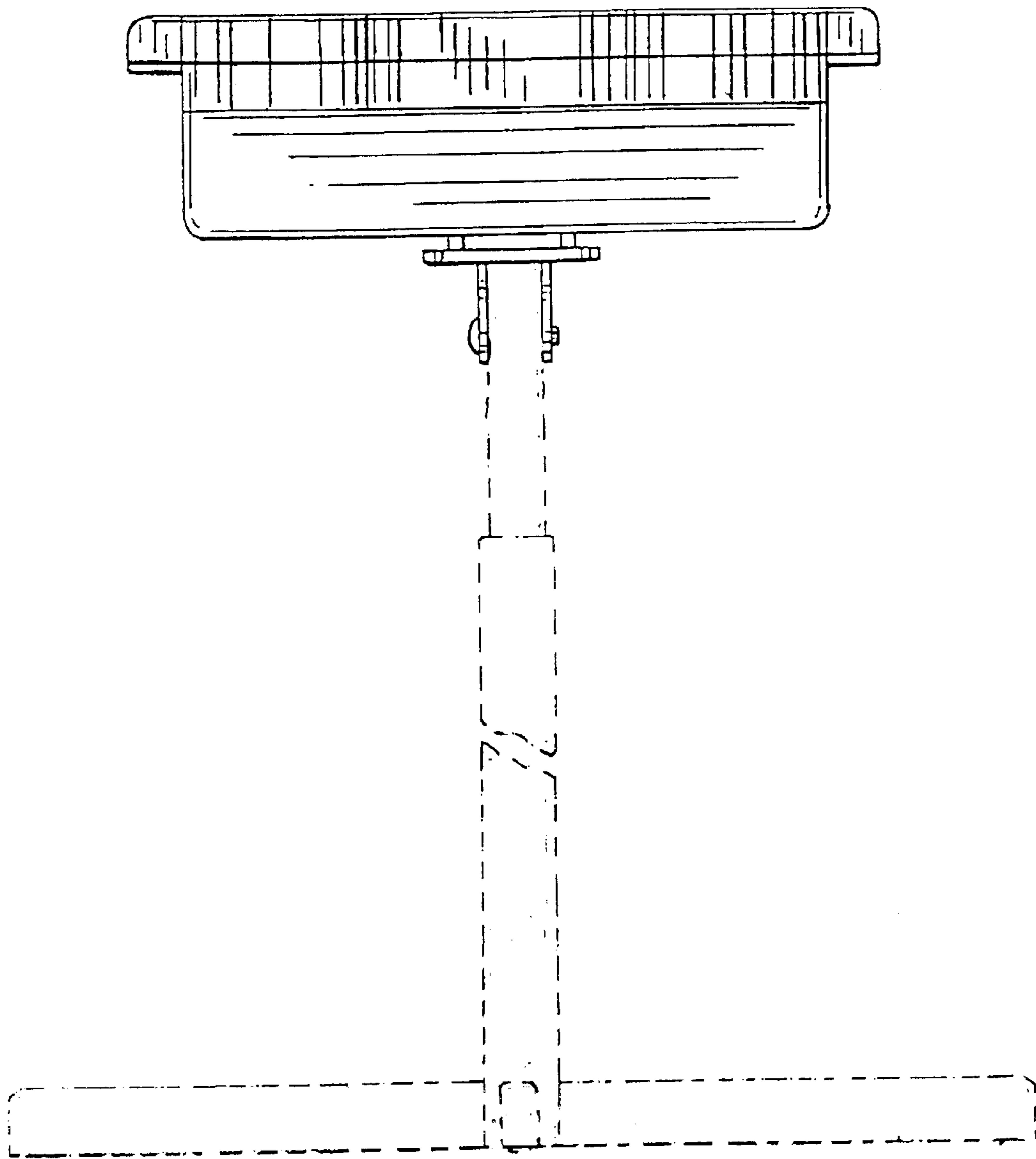


FIG. 5

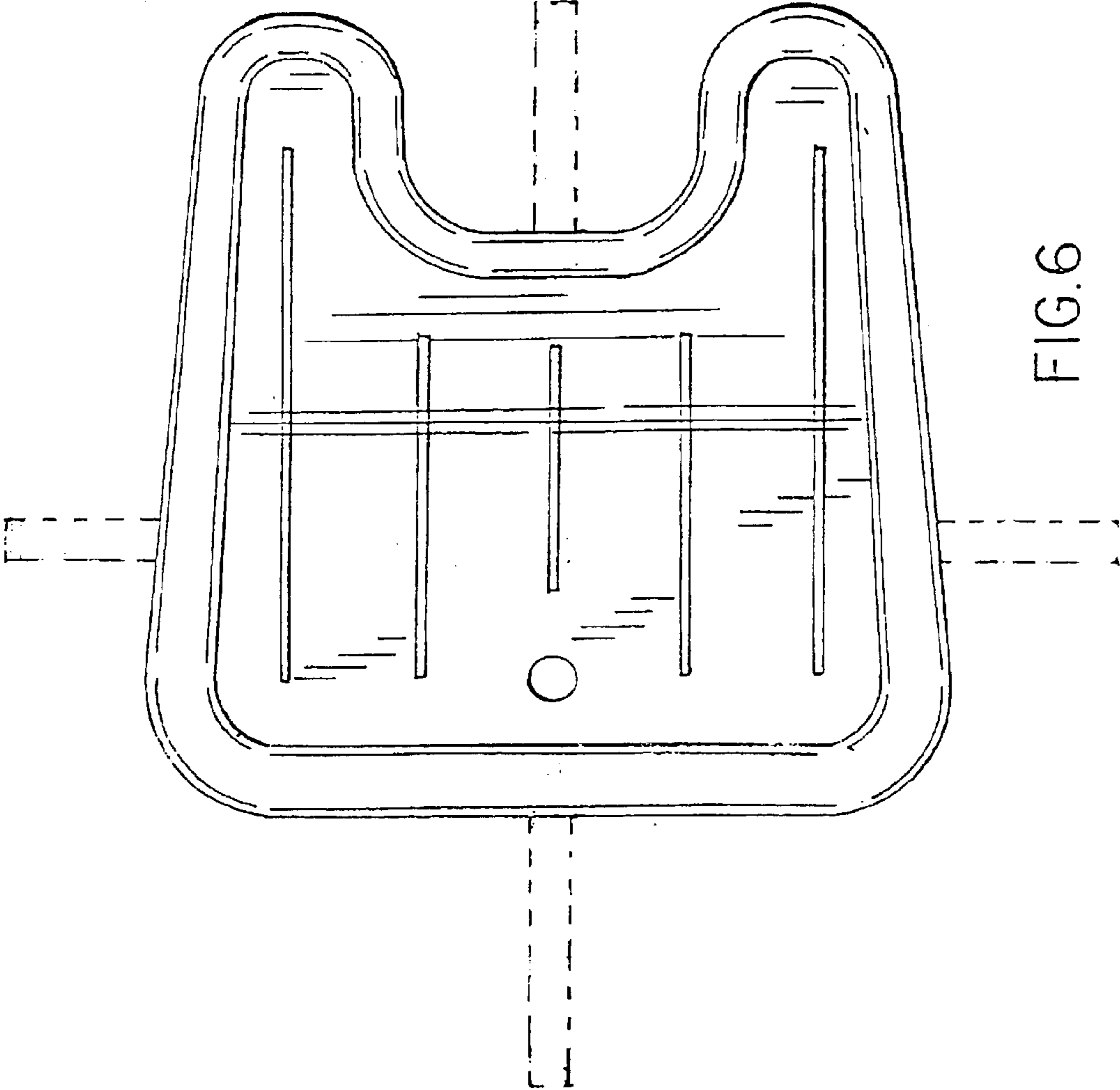
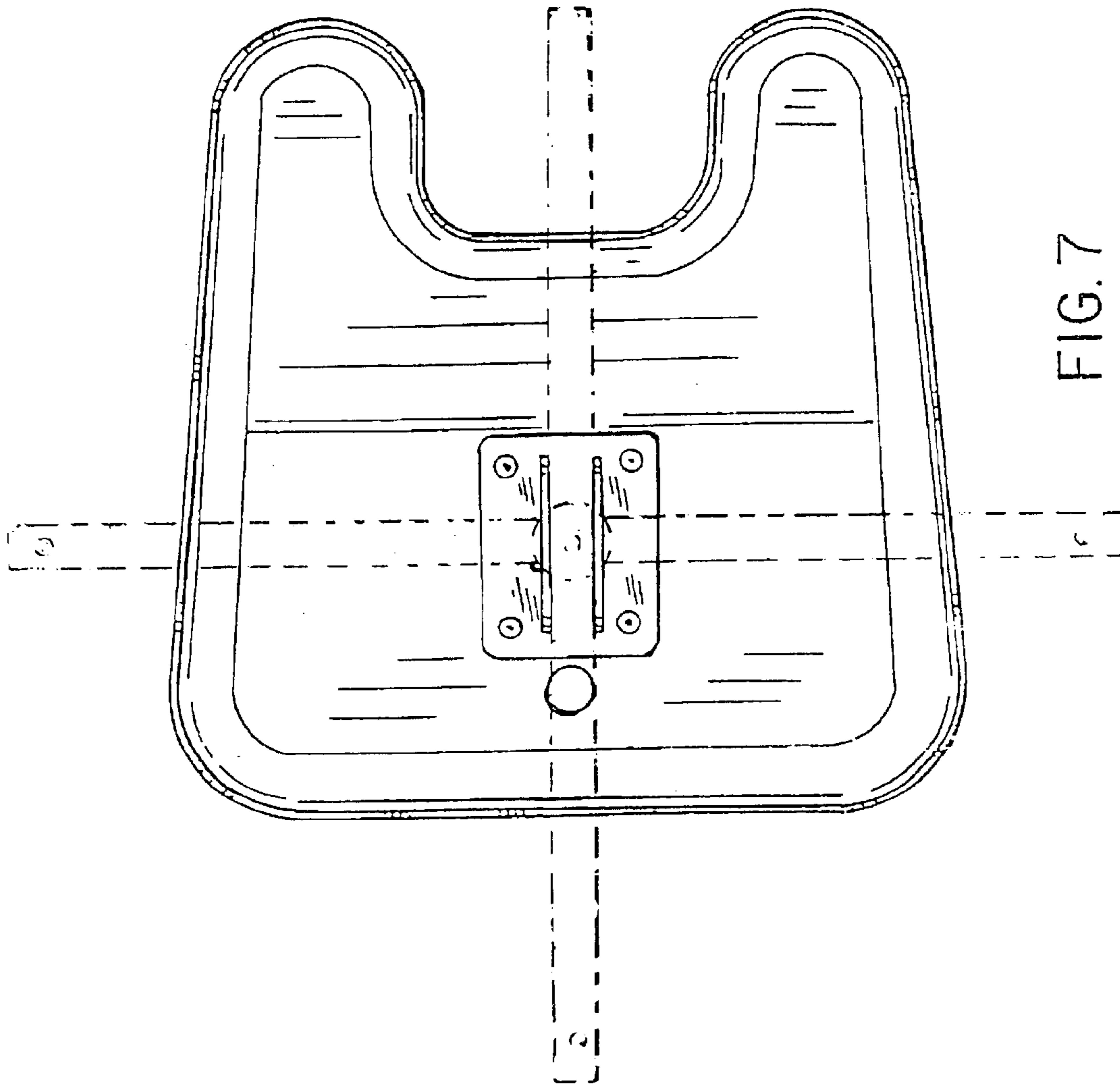


FIG. 6





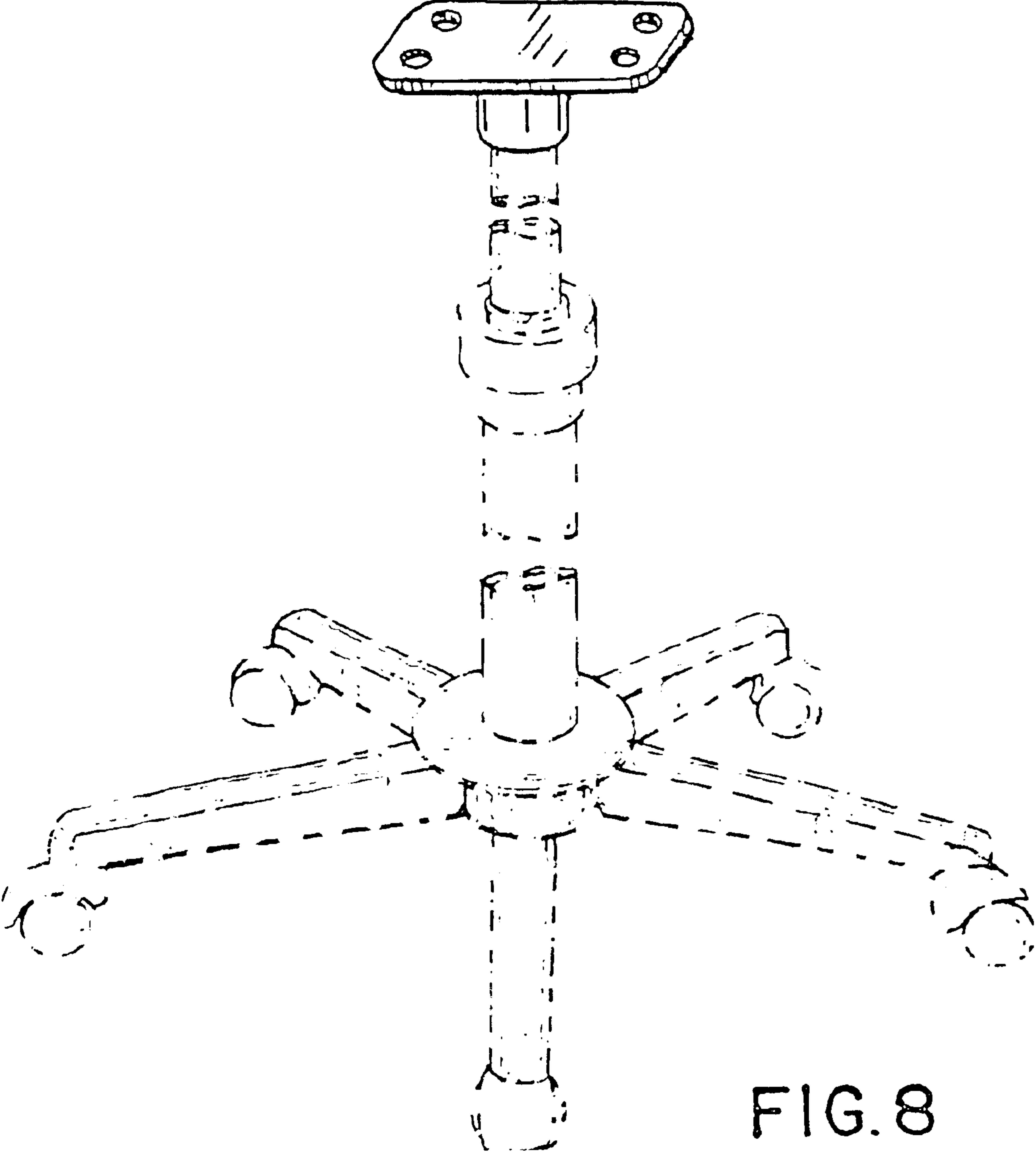


FIG. 8