

US00D497198S1

(12) **United States Design Patent**  
**Painter et al.**

(10) **Patent No.: US D497,198 S**  
(45) **Date of Patent: \*\* Oct. 12, 2004**

(54) **FAUCET SPOUT**

(75) Inventors: **Michael J. Painter**, Columbus, OH (US); **Sherry Lynn Jones**, Pataskala, OH (US); **Christopher P. Marks**, Pickerington, OH (US); **Paul P. Kolada**, Bexley, OH (US)

(73) Assignee: **American Standard Inc.**, Piscataway, NJ (US)

(\*\*) Term: **14 Years**

(21) Appl. No.: **29/157,799**

(22) Filed: **Mar. 25, 2002**

(51) **LOC (7) Cl.** ..... **23-01**

(52) **U.S. Cl.** ..... **D23/255; D23/238**

(58) **Field of Search** ..... **D23/238-243, D23/250-257; 4/675-678; 137/801**

(56) **References Cited**

**U.S. PATENT DOCUMENTS**

D83,924 S \* 4/1931 Sakier ..... D23/254

D87,829 S \* 9/1932 Ferguson ..... D23/257  
D353,653 S \* 12/1994 McKeone ..... D23/255  
D369,651 S \* 5/1996 Saadi et al. .... D23/255  
D417,262 S \* 11/1999 Caplow ..... D23/255

\* cited by examiner

*Primary Examiner*—Louis S. Zarfaz

*Assistant Examiner*—Gregory Andoll

(74) *Attorney, Agent, or Firm*—Frommer, Lawrence & Haug LLP; Matthew K. Ryan

(57) **CLAIM**

The ornamental design for a faucet spout, as shown.

**DESCRIPTION**

FIG. 1 is a front perspective view of a preferred embodiment of a faucet spout showing our new design; FIG. 2 is a top view of the faucet spout of FIG. 1; FIG. 3 is a bottom view of the faucet spout of FIG. 1; FIG. 4 is a left side view of the faucet spout of FIG. 1; FIG. 5 is a right side view of the faucet spout of FIG. 1; FIG. 6 is a front view of the faucet spout of FIG. 1; and, FIG. 7 is a rear view of the faucet spout of FIG. 1.

**1 Claim, 3 Drawing Sheets**

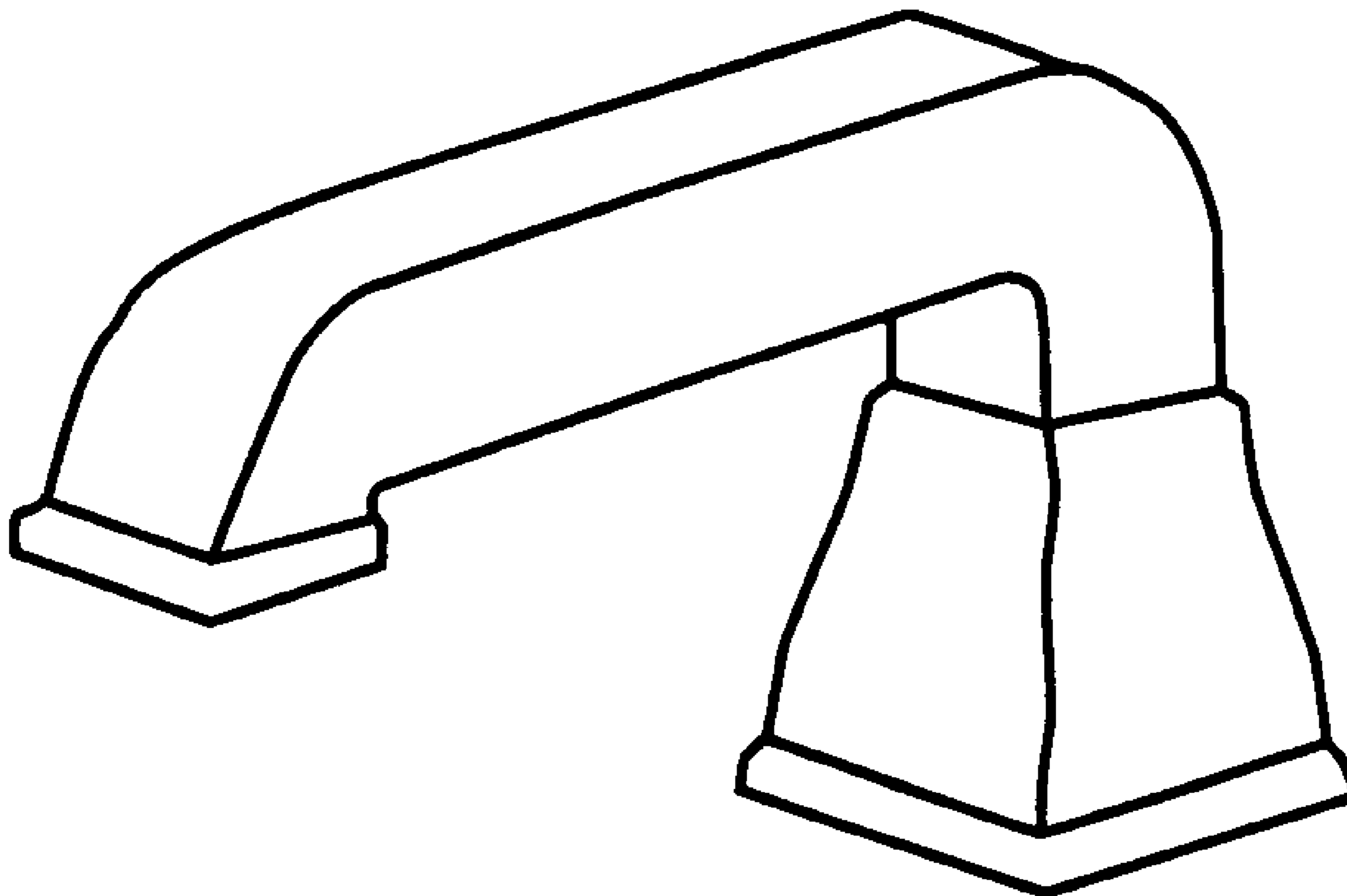


FIG. 1

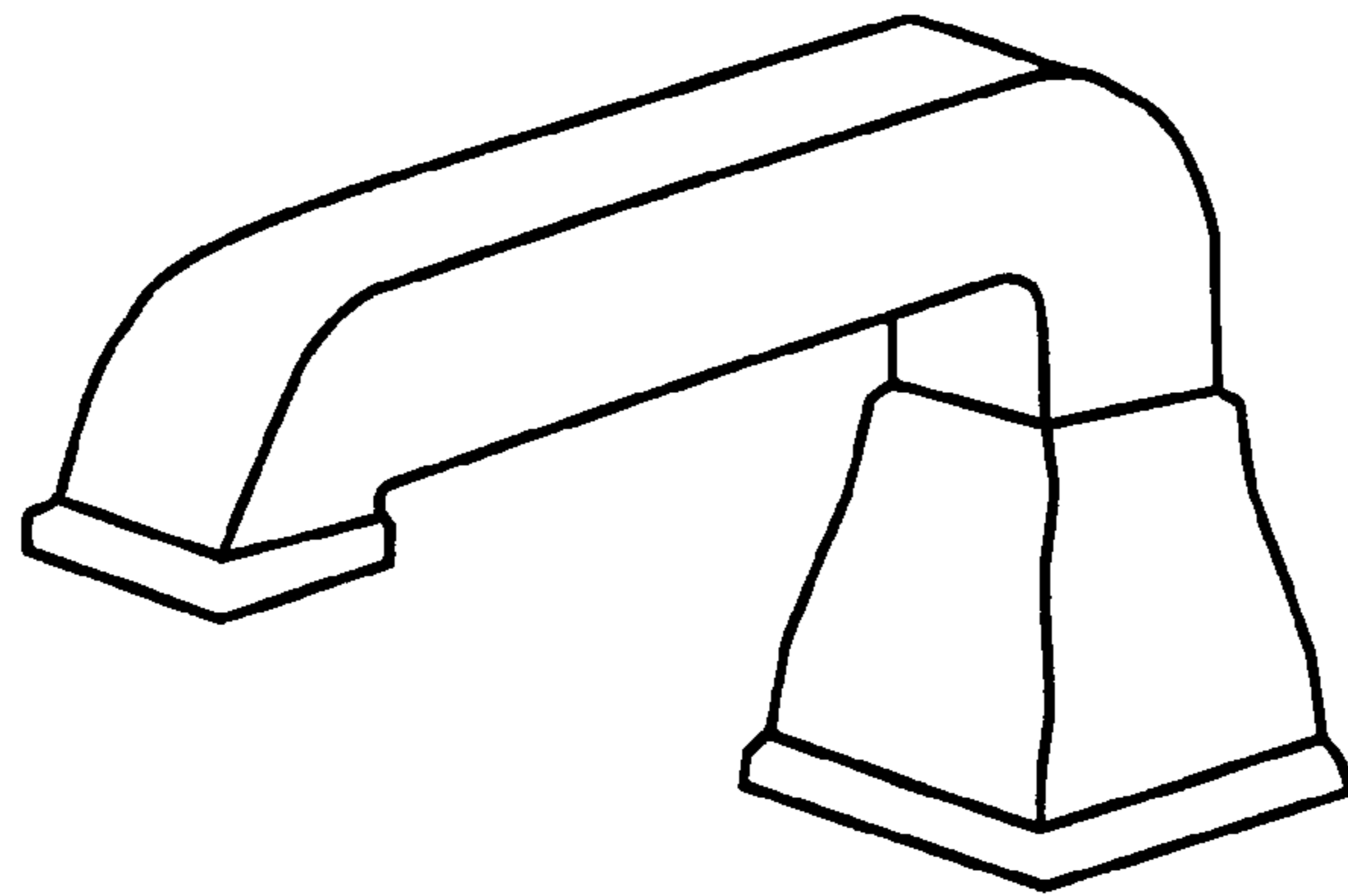


FIG. 2

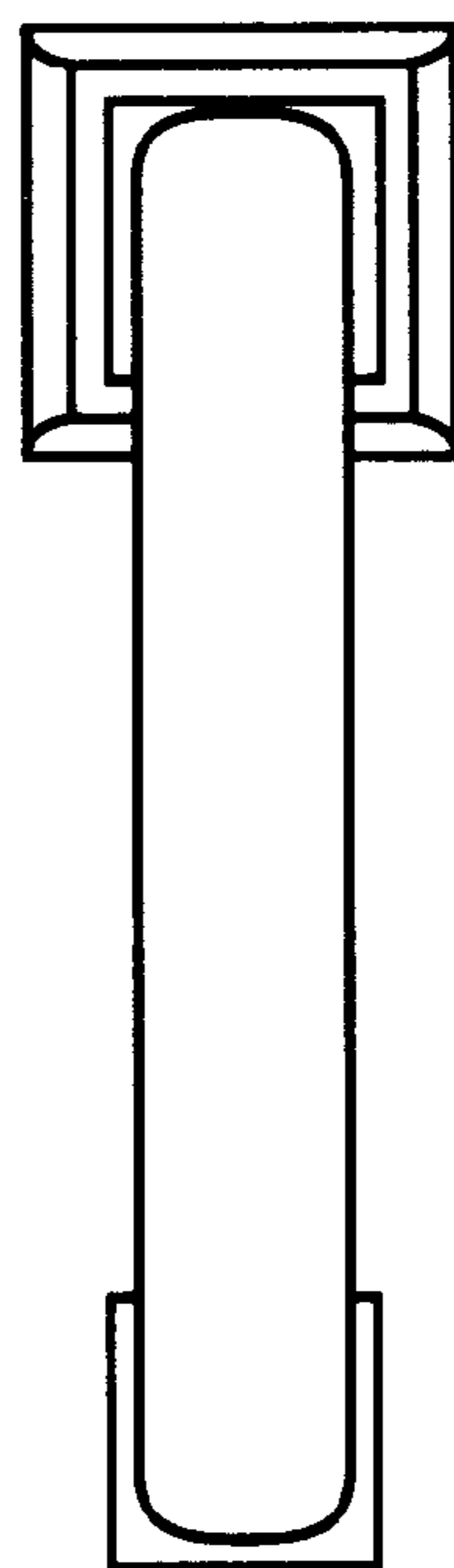


FIG. 3

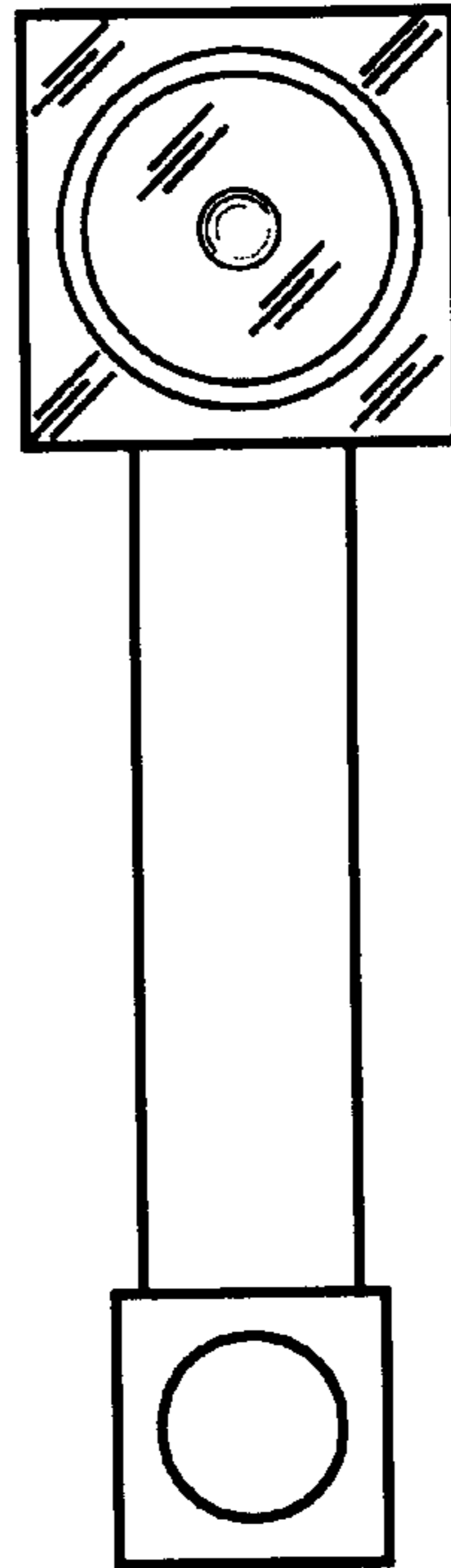


FIG. 4

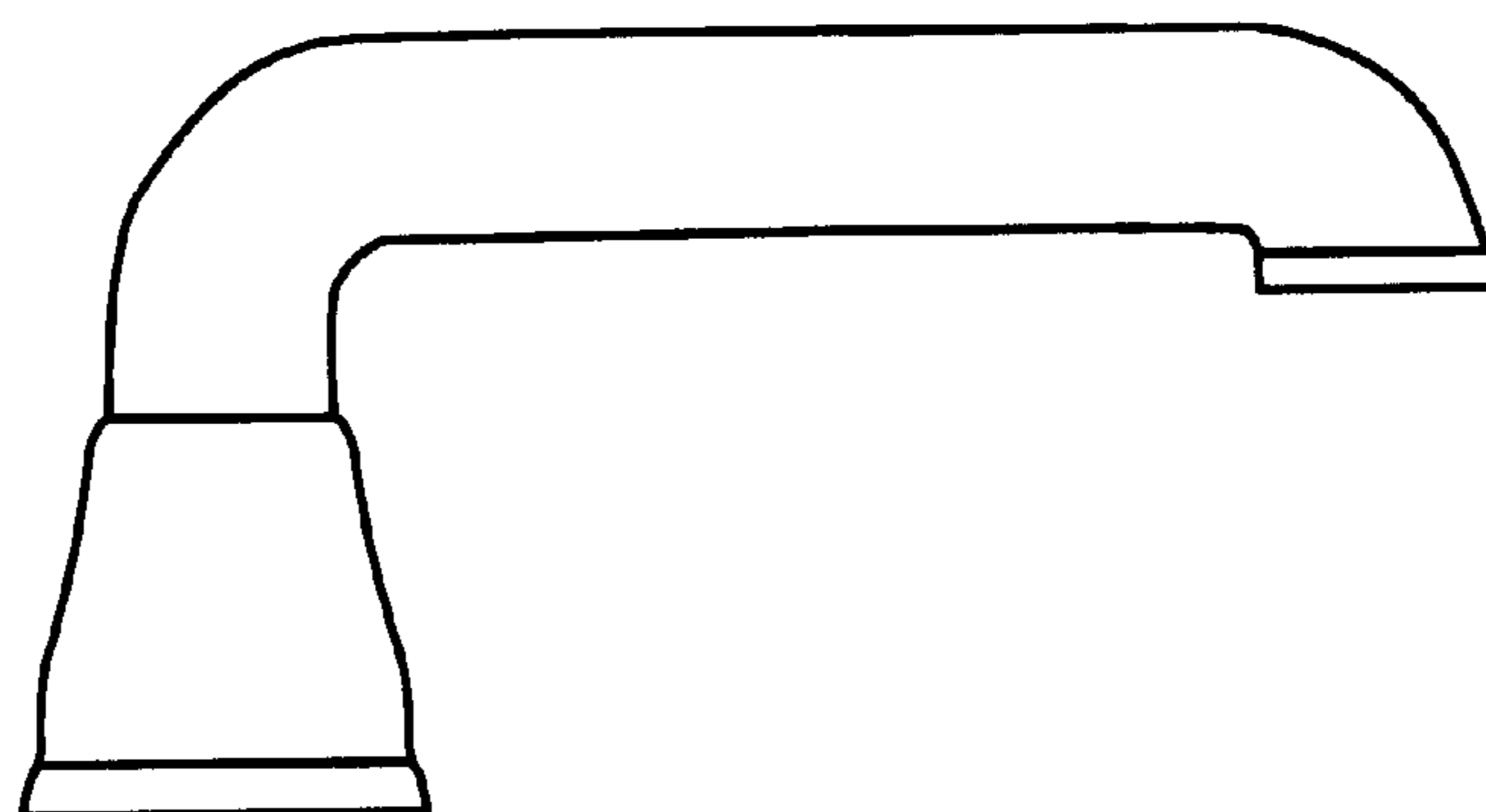


FIG. 5

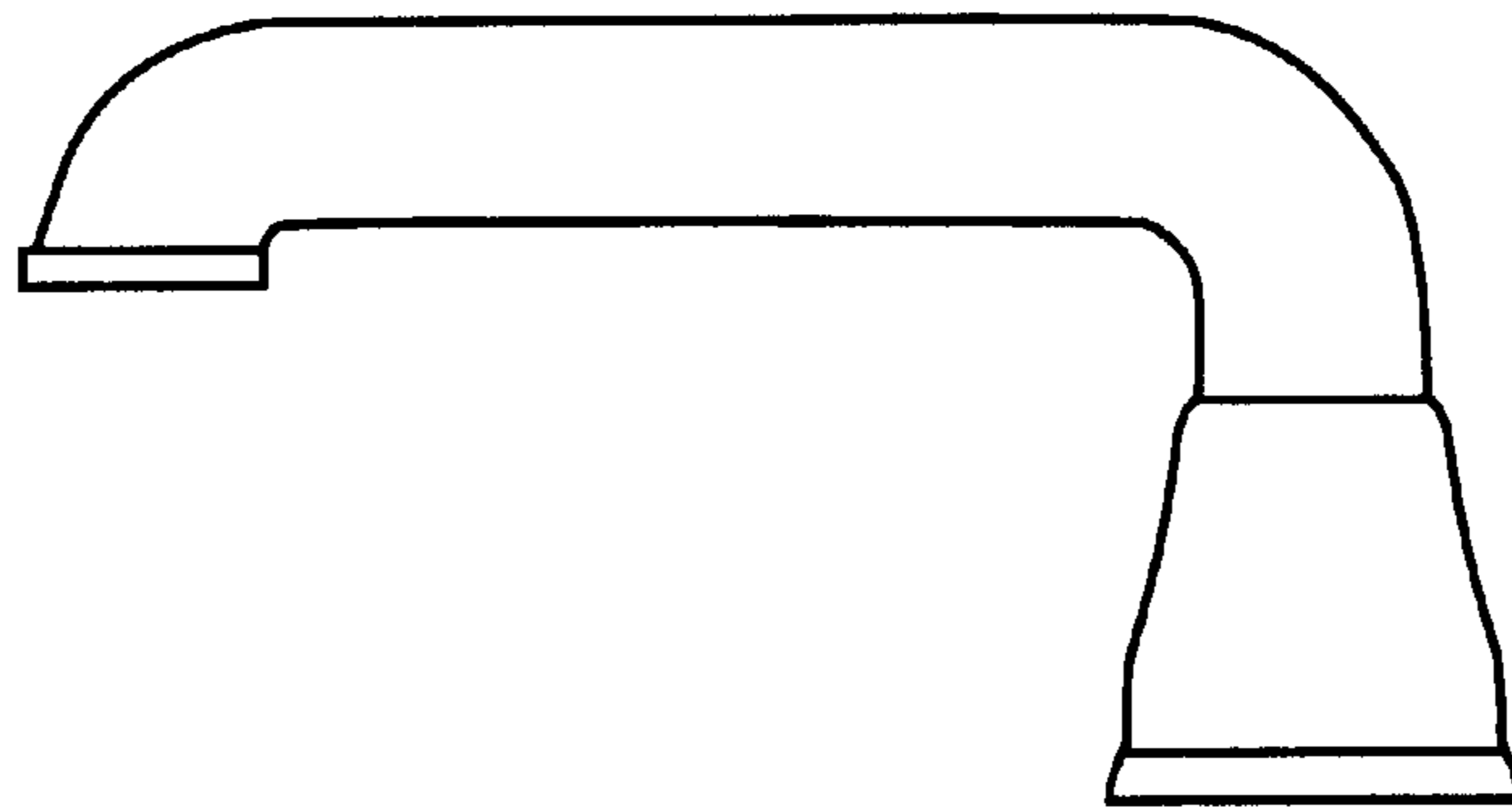


FIG. 6

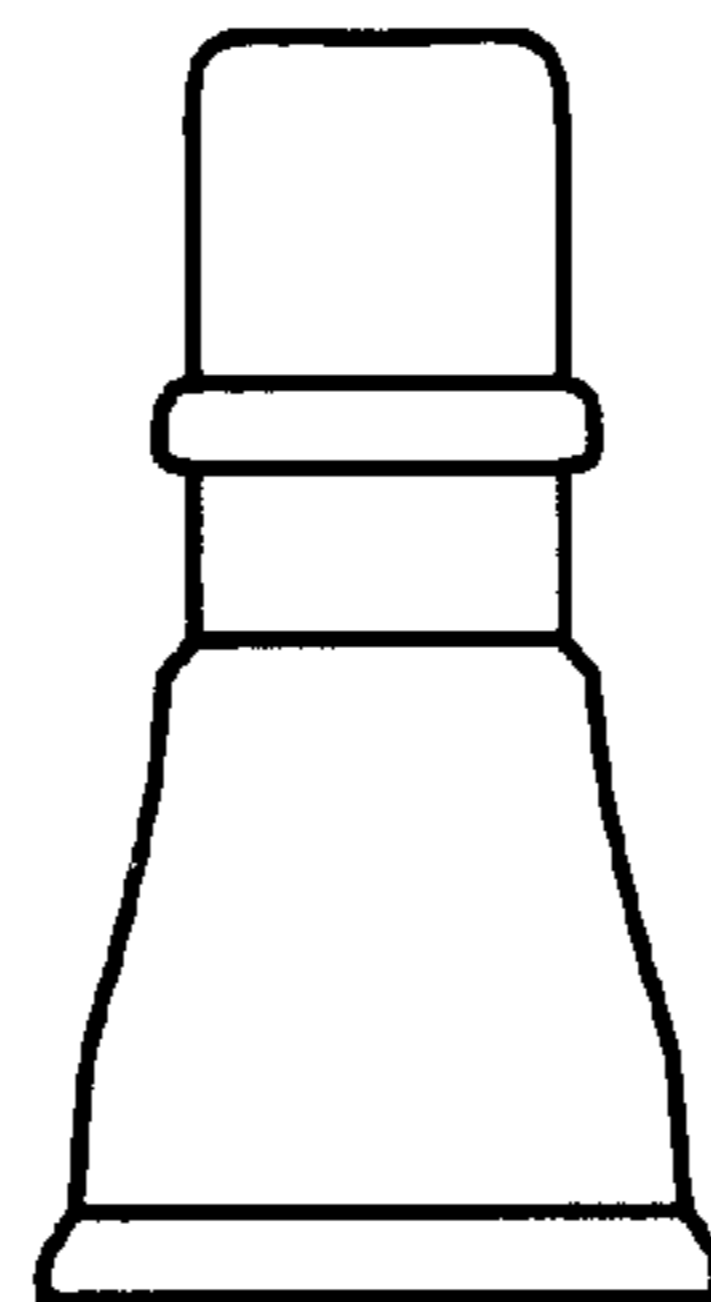


FIG. 7

