

US00D497192S1

(12) **United States Design Patent**
Radford

(10) **Patent No.:** **US D497,192 S**
(45) **Date of Patent:** **** Oct. 12, 2004**

(54) **GOLF CLUB HOLDER**

D476,479 S * 7/2003 Bailey D3/254

(76) **Inventor:** **Michael D. Radford**, 2287 Briar Glen,
Winston-Salem, NC (US) 27127

* cited by examiner

Primary Examiner—Mitchell Siegel

(**) **Term:** **14 Years**

(57) **CLAIM**

(21) **Appl. No.:** **29/183,077**

The ornamental design for a golf club holder, as shown and described.

(22) **Filed:** **Jun. 6, 2003**

DESCRIPTION

(51) **LOC (7) Cl.** **21-02**

(52) **U.S. Cl.** **D21/796**

(58) **Field of Search** D21/789, 796;
473/282; D3/254, 255, 259; 211/70.2; 248/96,
156; 206/315.2

FIG. 1 is a and view of the golf club holder;
FIG. 2 is a right side elevational view thereof;
FIG. 3 is a left side elevational view thereof;
FIG. 4 is a top plan view thereof;
FIG. 5 is a bottom plan view thereof; and,
FIG. 6 is a side elevational view, the broken line showing of
the two golf clubs is for illustrative purposes only and forms
no part of the claimed design.

(56) **References Cited**

U.S. PATENT DOCUMENTS

D351,444 S * 10/1994 Hunter D21/796
D472,598 S * 4/2003 Lawrence D21/796

1 Claim, 2 Drawing Sheets

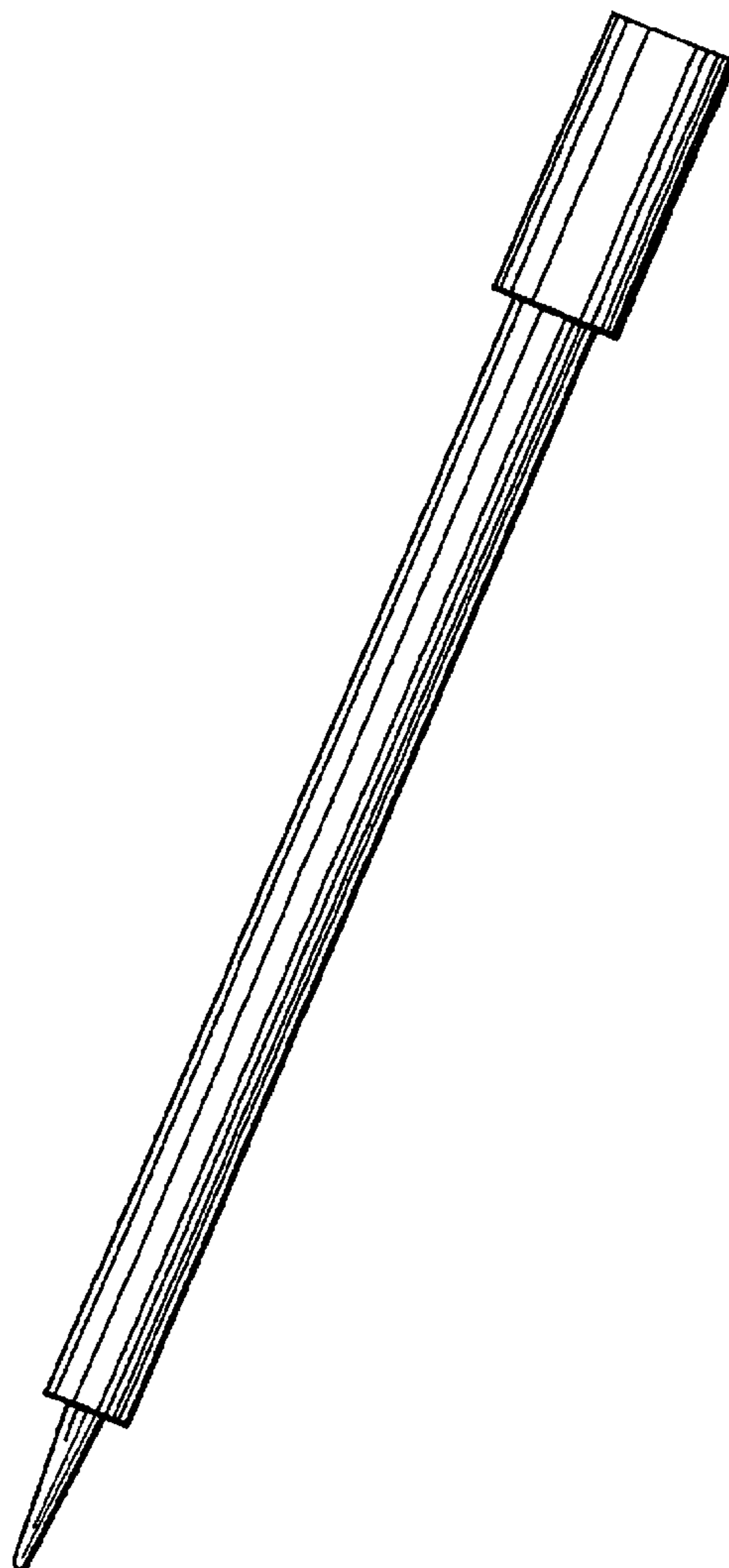




Fig. 3

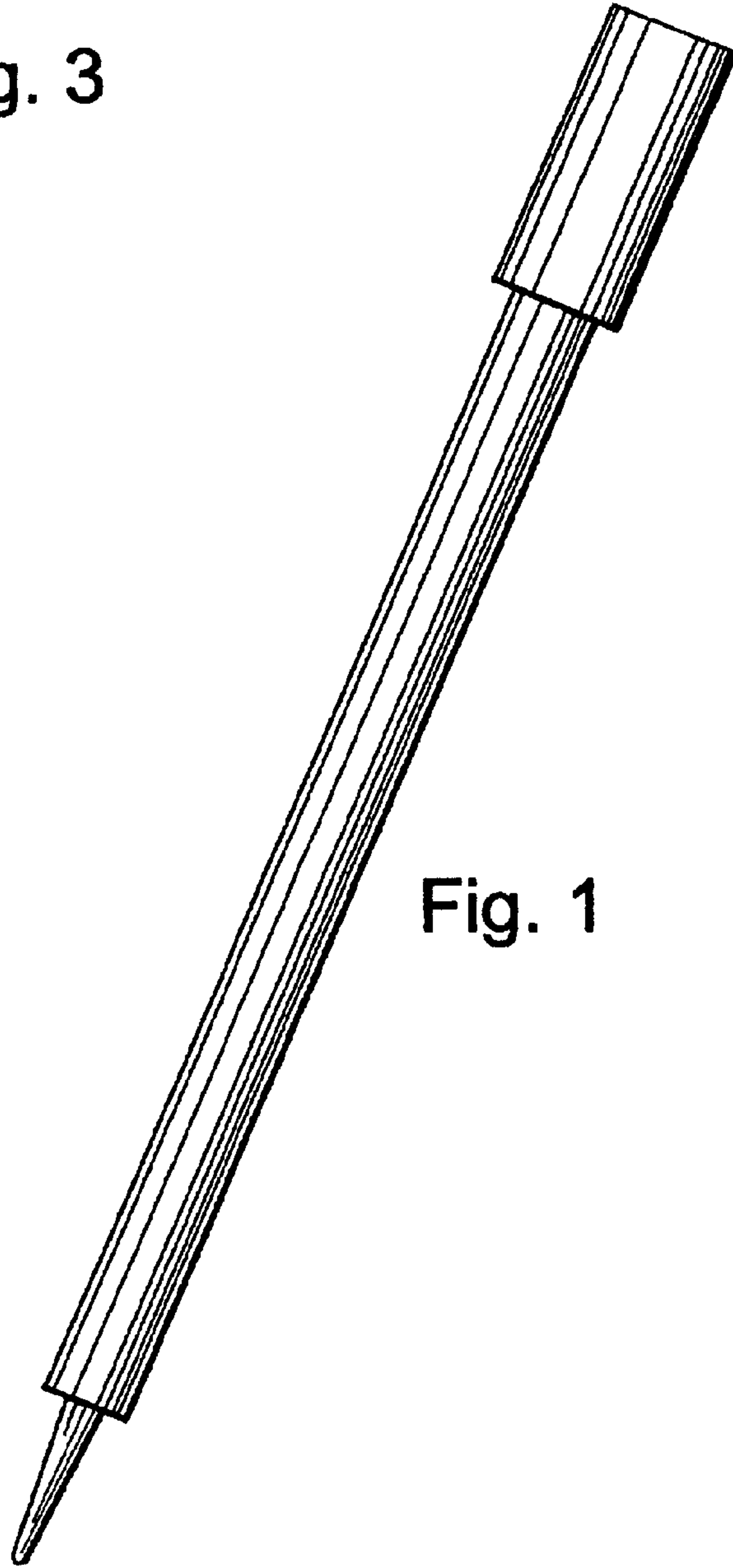


Fig. 1

Fig. 4

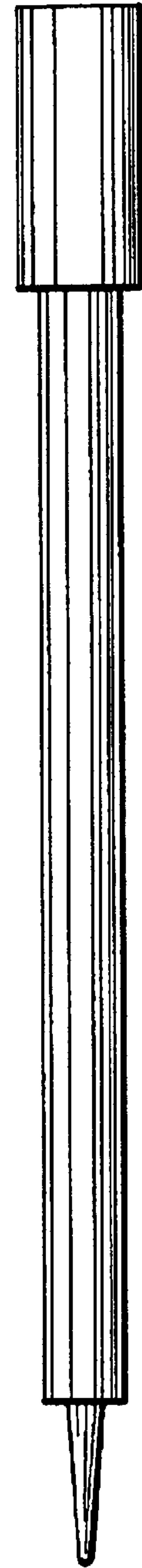
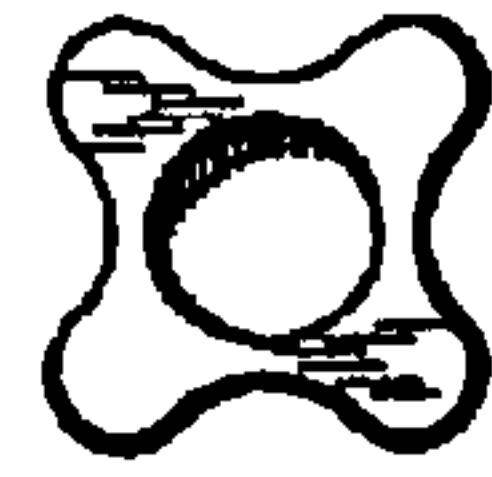


Fig. 2



Fig. 5

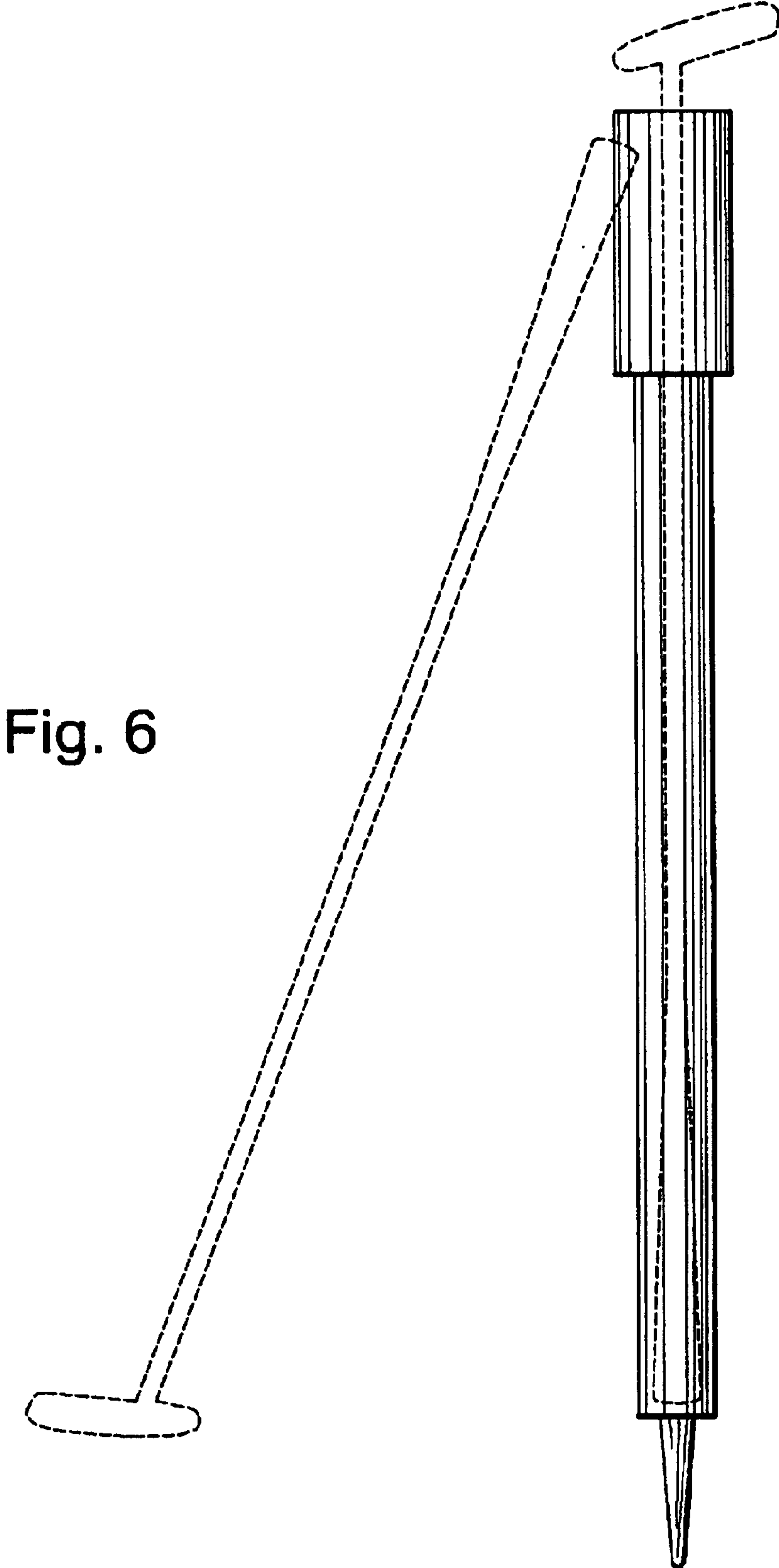


Fig. 6