



US00D497191S1

(12) **United States Design Patent**  
**Shore**

(10) **Patent No.:** **US D497,191 S**

(45) **Date of Patent:** **\*\* Oct. 12, 2004**

(54) **SPORTS BALL**

(76) **Inventor:** **Mitchel Shore**, 19 Erica Avenue,  
Toronto, Ontario (CA), M3N 3H3

(\*\*) **Term:** **14 Years**

(21) **Appl. No.:** **29/199,360**

(22) **Filed:** **Feb. 17, 2004**

(51) **LOC (7) Cl.** ..... **21-02**

(52) **U.S. Cl.** ..... **D21/713; D21/709; D30/160**

(58) **Field of Search** ..... **D21/707-714,**  
**D21/498, 502, 503, 398, 406, 436, 466,**  
**468; D30/160; 473/569-576, 594-596,**  
**612, 613, FOR 134, FOR 158, FOR 161,**  
**FOR 163; 446/34, 109, 111; 119/707-711**

(56) **References Cited**

**U.S. PATENT DOCUMENTS**

1,371,704 A *	3/1921	Miller	.....	473/594
2,211,330 A *	8/1940	Hochberg	.....	273/118 D
2,307,182 A *	1/1943	Young	.....	473/354
2,786,683 A *	3/1957	Shapiro	.....	473/278
3,137,507 A *	6/1964	Pickler	.....	473/237

3,450,592 A *	6/1969	Conrad et al.	.....	473/595
3,679,212 A *	7/1972	Smith	.....	273/144 B
D235,157 S *	5/1975	Echterling	.....	D21/498
D264,364 S *	5/1982	Pazurek	.....	D21/713
5,033,743 A *	7/1991	Wright	.....	473/613
5,700,211 A *	12/1997	Mackie	.....	473/613
6,012,997 A *	1/2000	Mason	.....	473/594
D459,404 S *	6/2002	Perez	.....	D21/398
2002/0124811 A1 *	9/2002	Willinger et al.	.....	119/707

\* cited by examiner

*Primary Examiner*—Prabhakar Deshmukh

*Assistant Examiner*—C. Tuttle

(74) *Attorney, Agent, or Firm*—Eugene J. A. Gierczak

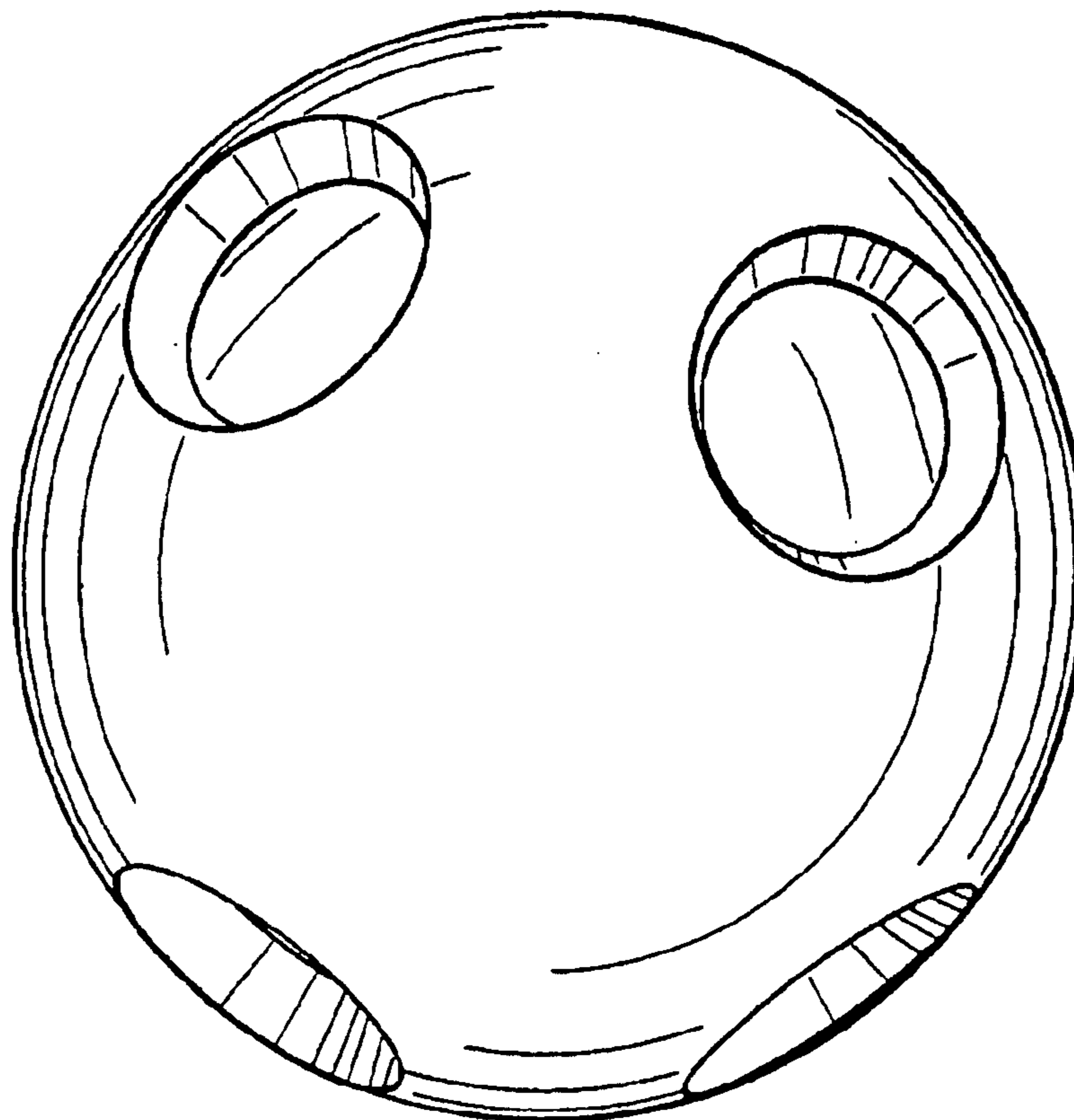
(57) **CLAIM**

The ornamental design for the “sports ball”, as shown and described.

**DESCRIPTION**

FIG. 1 is a front perspective view of the sports ball;  
FIG. 2 is a rear perspective view of the sports ball;  
FIG. 3 is a front view of the sports ball; and,  
FIG. 4 is a top plan view of the sports ball.

**1 Claim, 2 Drawing Sheets**



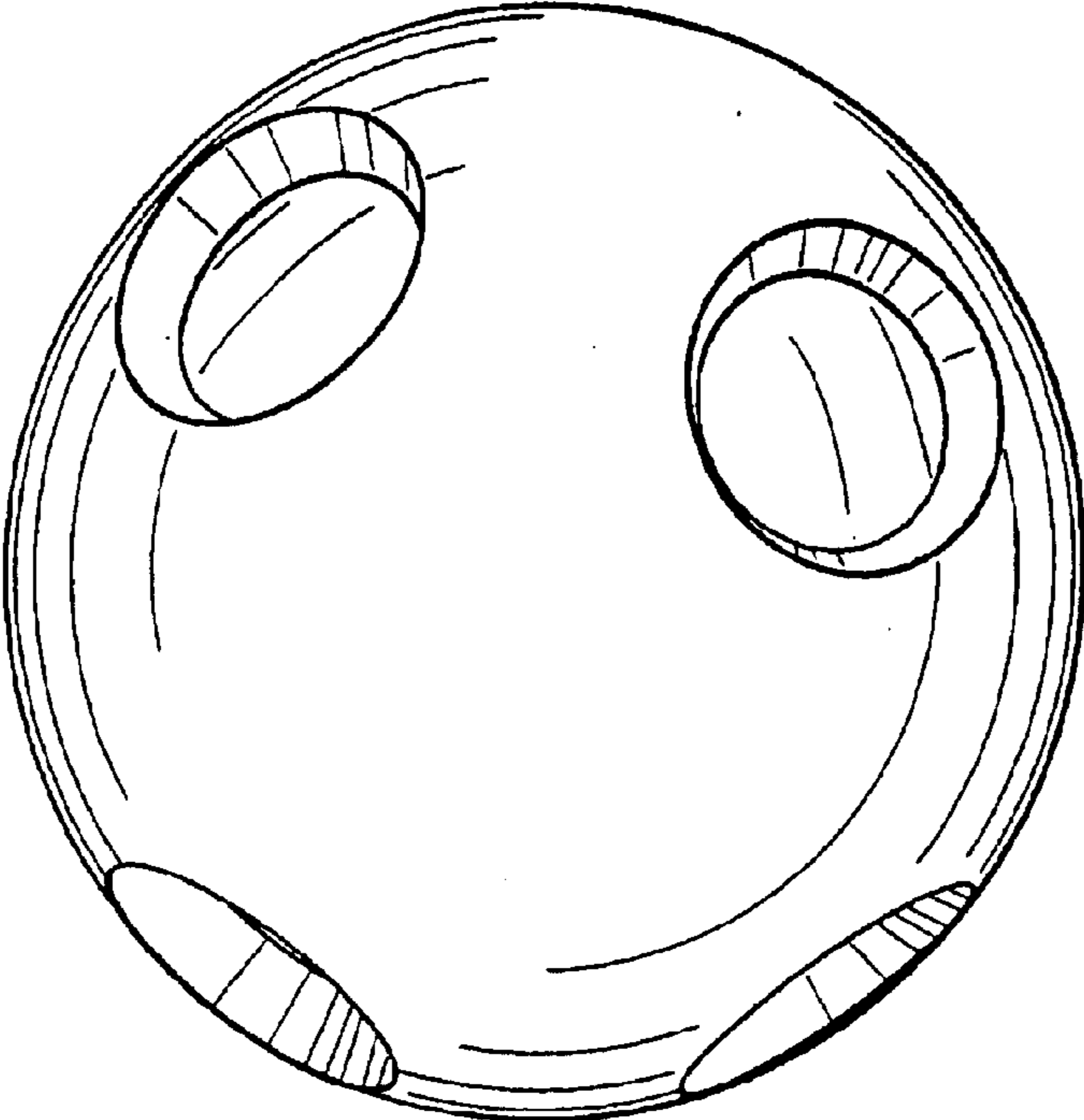


FIG. 1

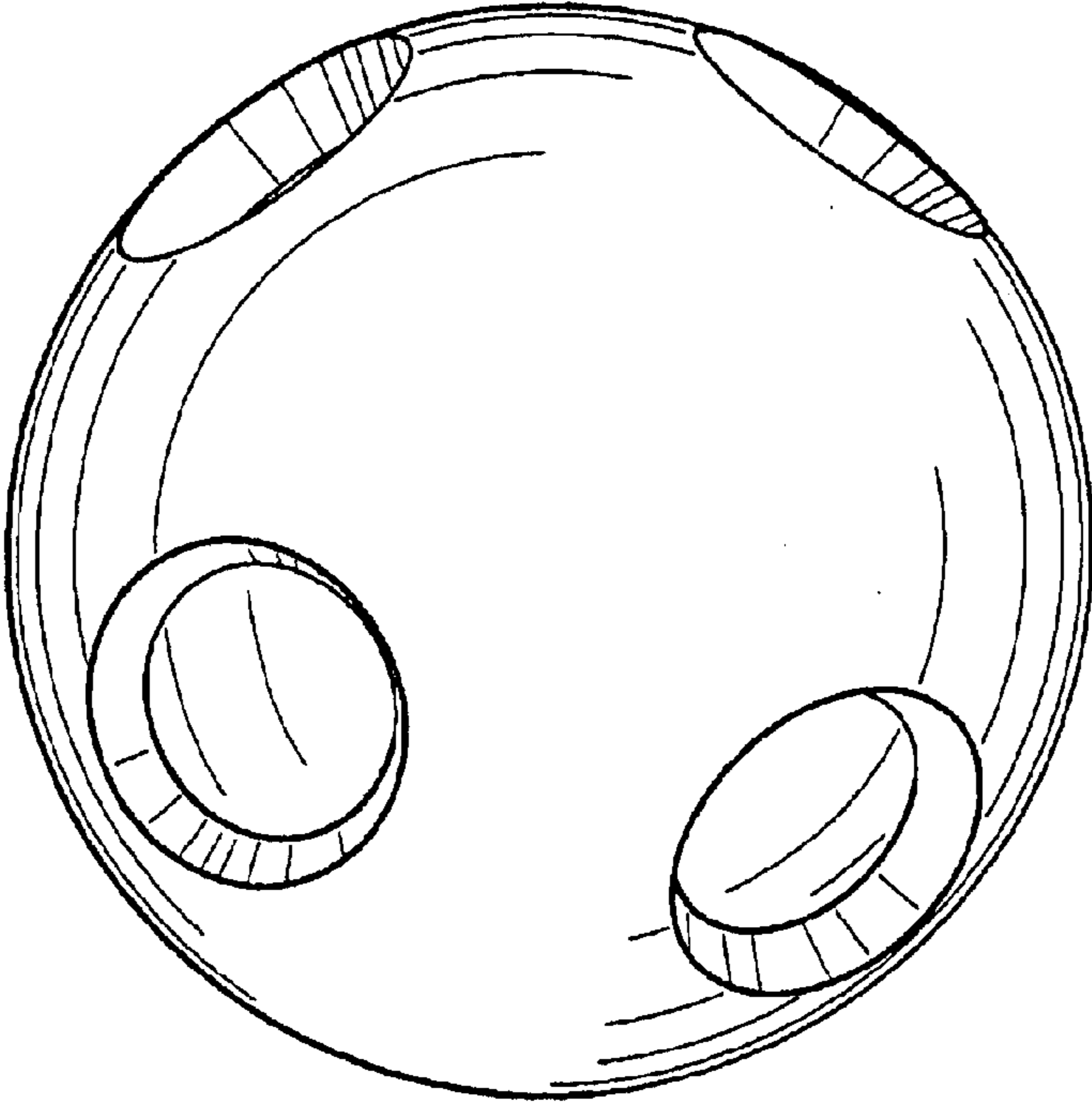


FIG. 2

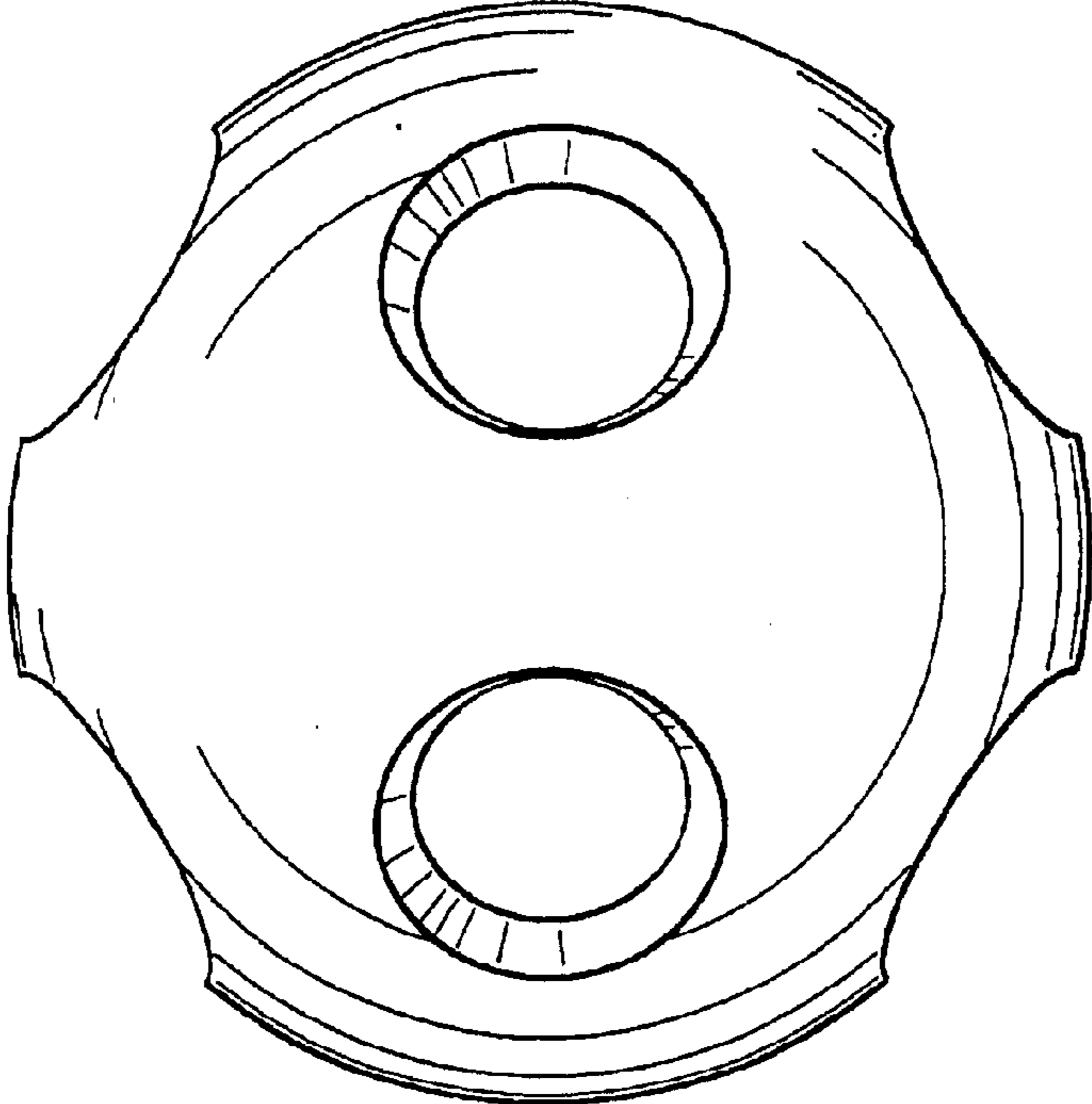


FIG. 3

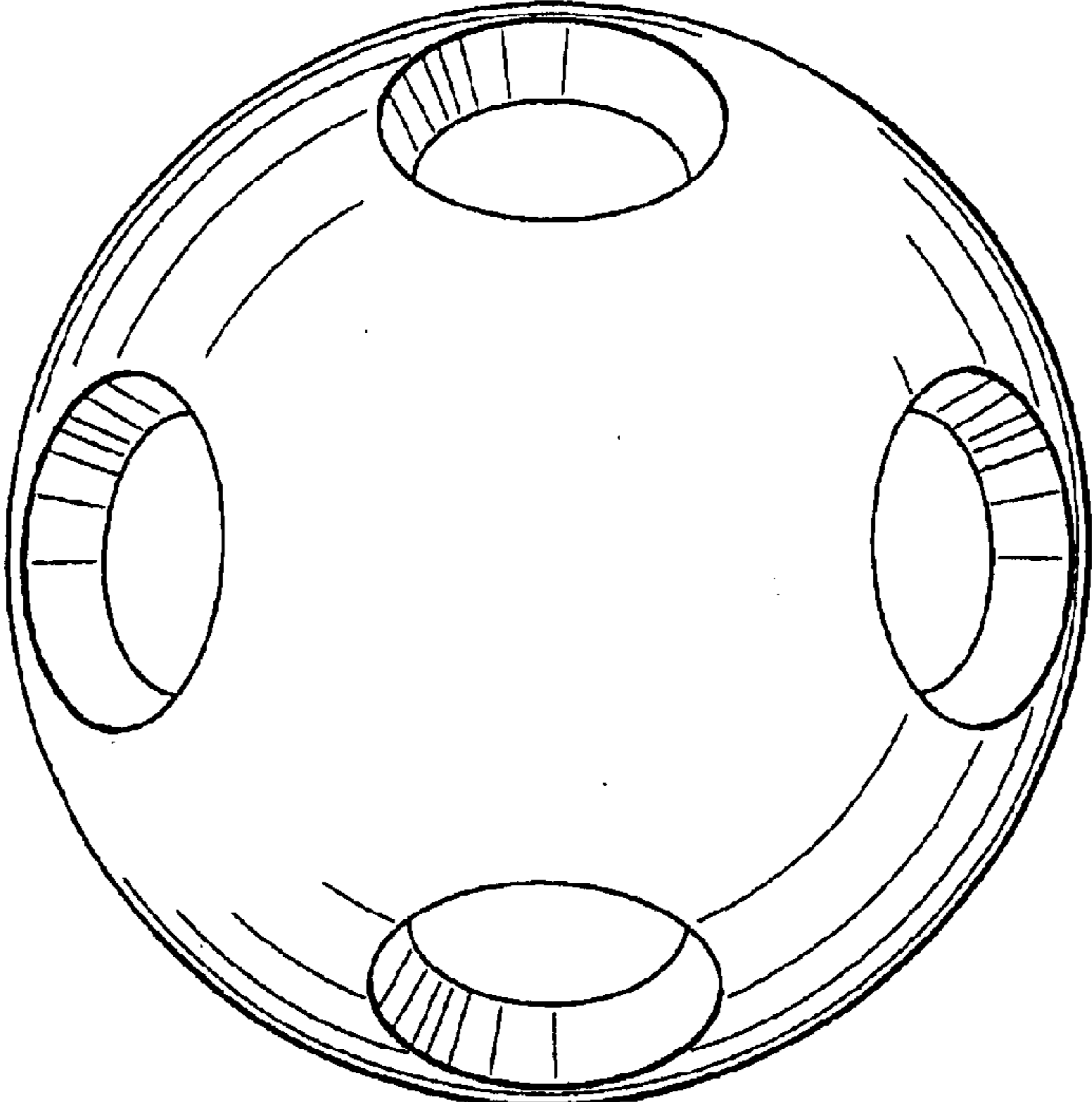


FIG. 4