

US00D497189S1

(12) **United States Design Patent**
Lau

(10) **Patent No.:** **US D497,189 S**
(45) **Date of Patent:** **** Oct. 12, 2004**

(54) **TOY ELECTRONIC DOMINO TRAIN HEAD**

* cited by examiner

(75) Inventor: **Yuk Fai Lau**, Kowloon (HK)

Primary Examiner—Raphael Barkai
(74) *Attorney, Agent, or Firm*—Rabin & Berdo, P.C.

(73) Assignee: **Tai Way (Shing Kee) Toys Co. Ltd.**,
Kowloon (HK)

(57) **CLAIM**

(**) Term: **14 Years**

The ornamental design for a toy electronic domino train head, as shown and described.

(21) Appl. No.: **29/194,278**

DESCRIPTION

(22) Filed: **Nov. 24, 2003**

The application file contains at least one drawing executed in color. Copies of this patent or patent application publication with color drawing(s) will be provided by the Office upon request and payment of the necessary fee.

(51) **LOC (7) Cl.** **21-01**

(52) **U.S. Cl.** **D21/541**

(58) **Field of Search** D21/540–541,
D21/424–427; D12/38; 446/410, 447, 455,
467, 76; 200/87.01, 828; 104/DIG. 1; 105/1.5,
29.2

FIG. 1 is a perspective view of a toy electronic domino train head showing my new design;
FIG. 2 is a front view thereof;
FIG. 3 is a rear view thereof;
FIG. 4 is a right side view thereof;
FIG. 5 is a left side view thereof;
FIG. 6 is a top view thereof;
FIG. 7 is a bottom view thereof; and,
FIG. 8 is a perspective view in use condition.

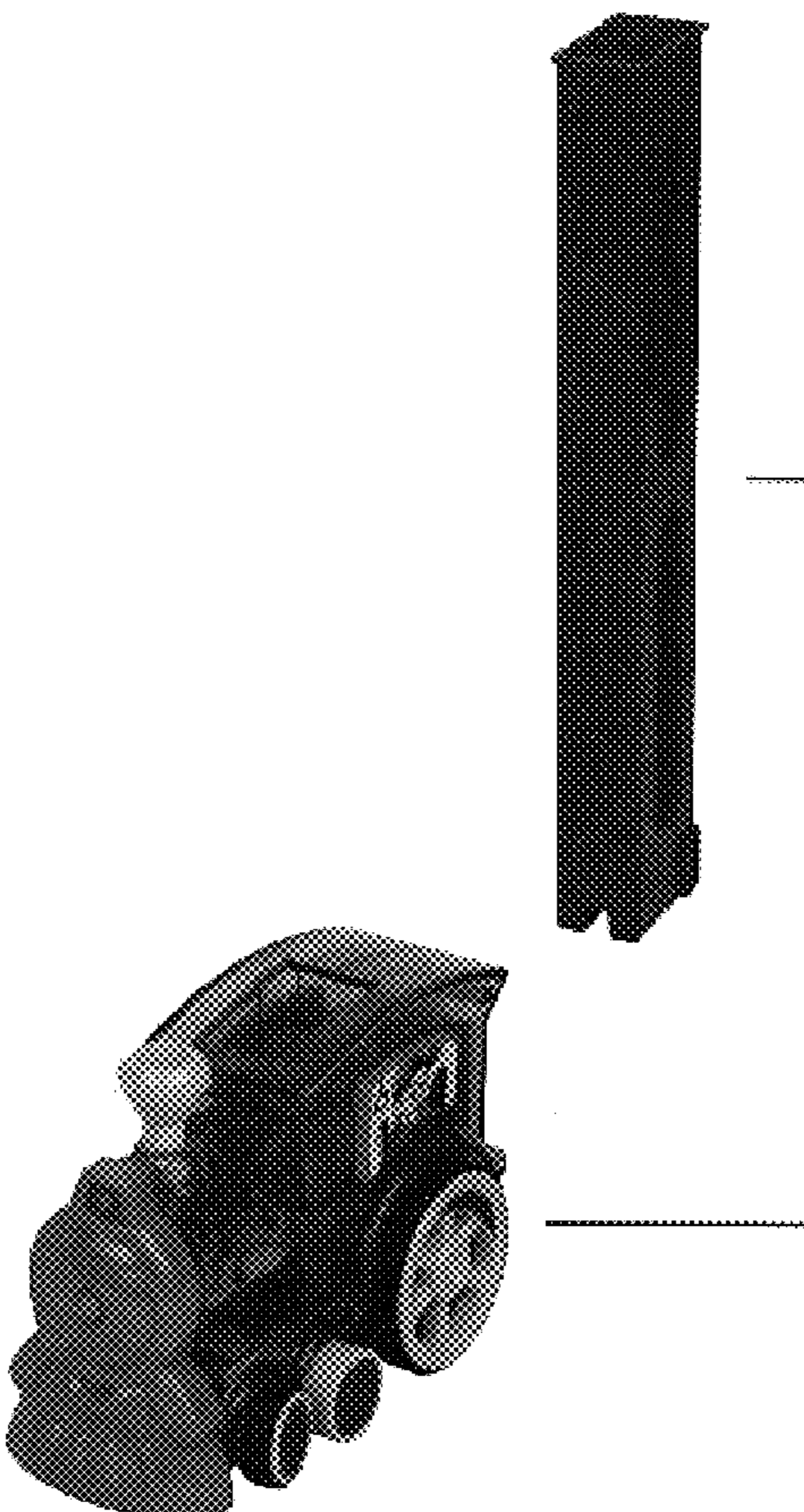
(56) **References Cited**

U.S. PATENT DOCUMENTS

D262,641 S	*	1/1982	Saitoh	D21/541
D318,880 S	*	8/1991	Cheung et al.	D21/541
D389,882 S	*	1/1998	Kim	D21/541
D425,946 S	*	5/2000	Wei	D21/541
D436,145 S	*	1/2001	Chan	D21/533
D484,195 S	*	12/2003	Shippy	D21/540

1 Claim, 4 Drawing Sheets

(4 of 4 Drawing Sheet(s) Filed in Color)



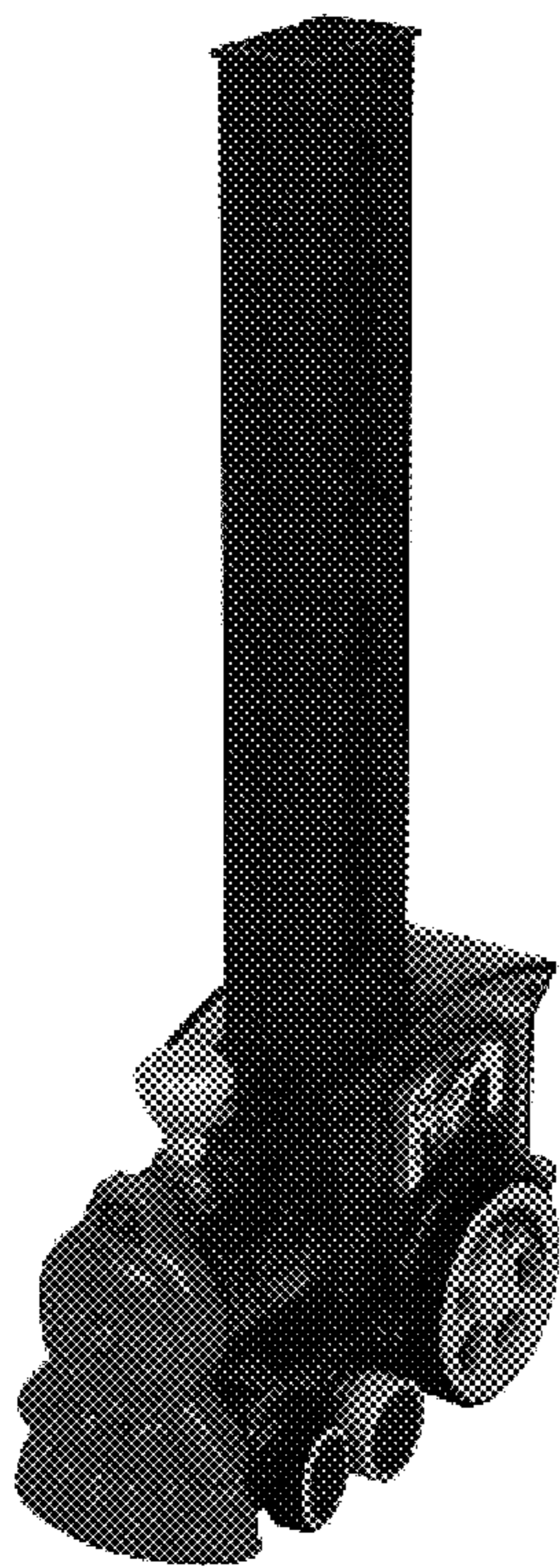


Fig. 8

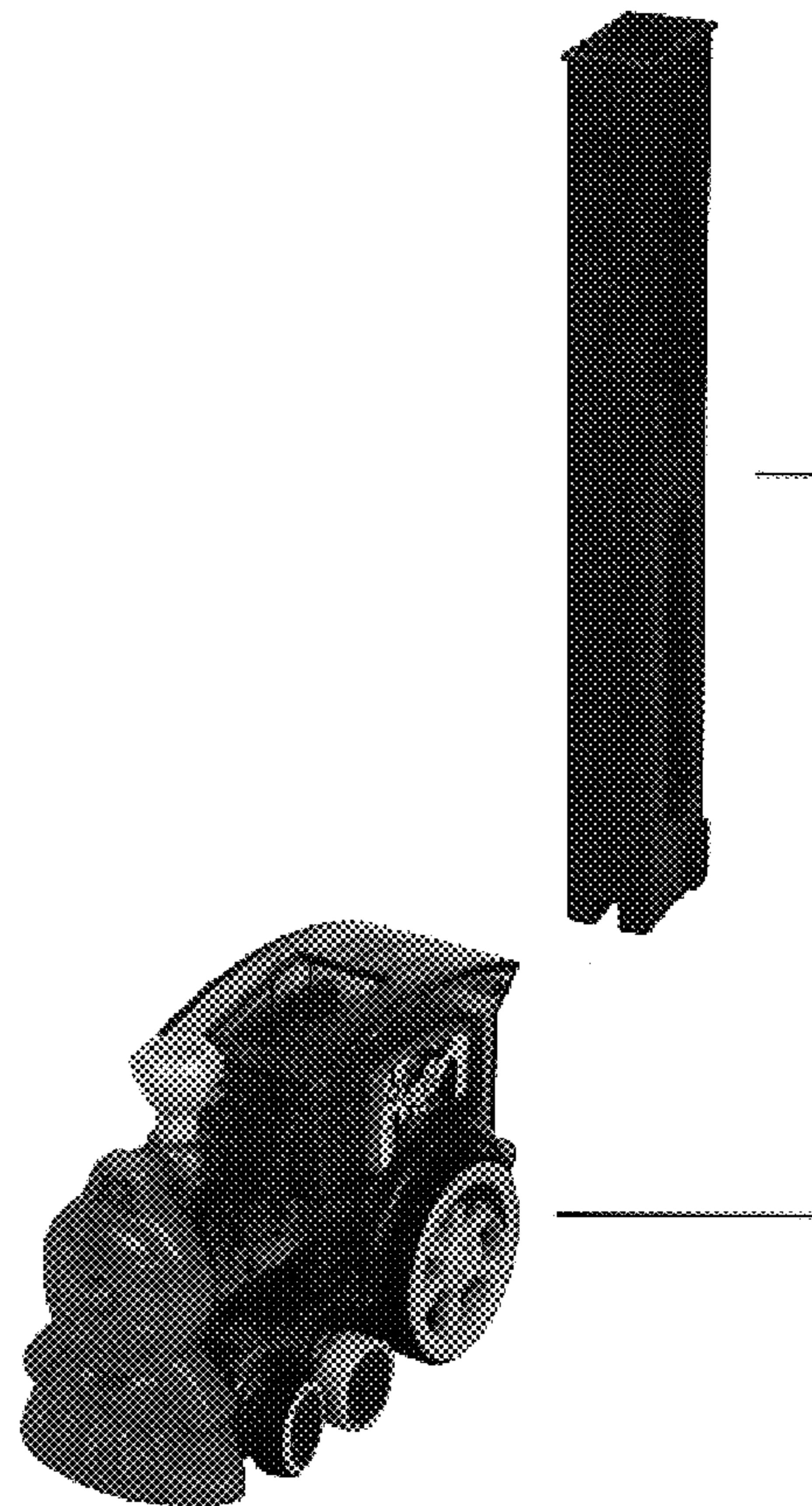


Fig. 1

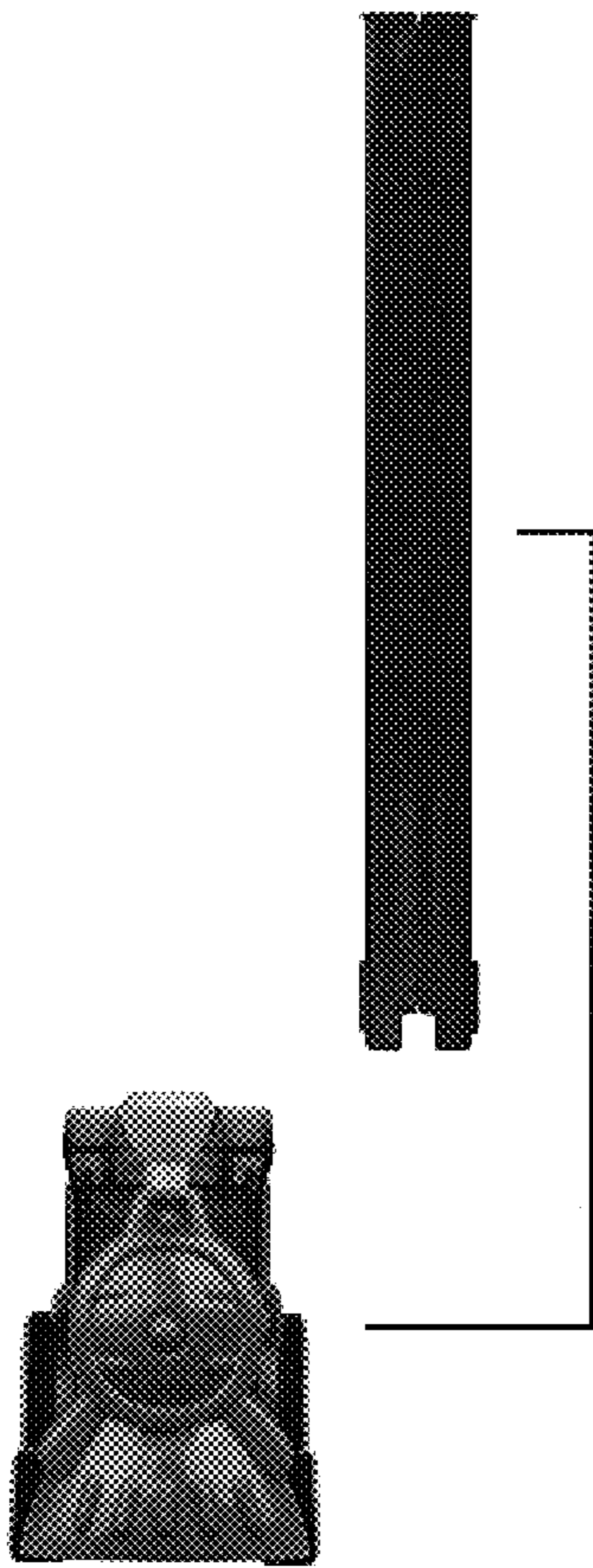


Fig. 2

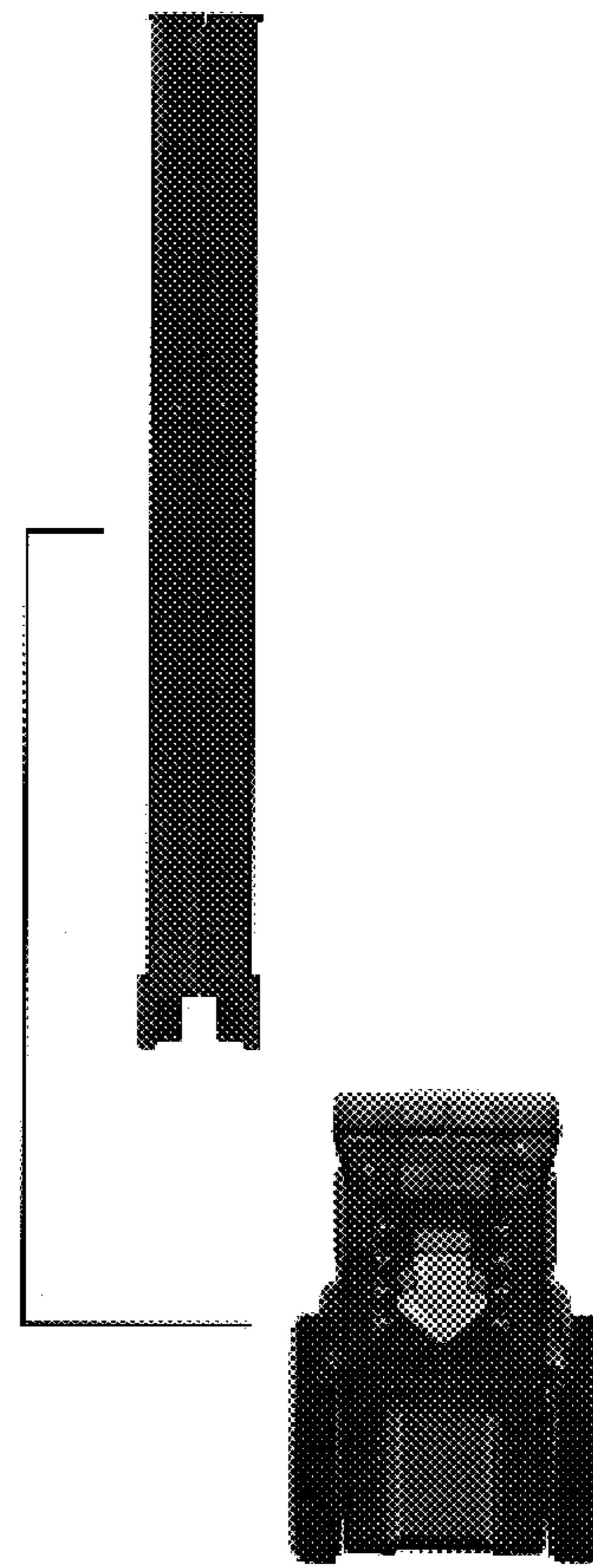


Fig. 3

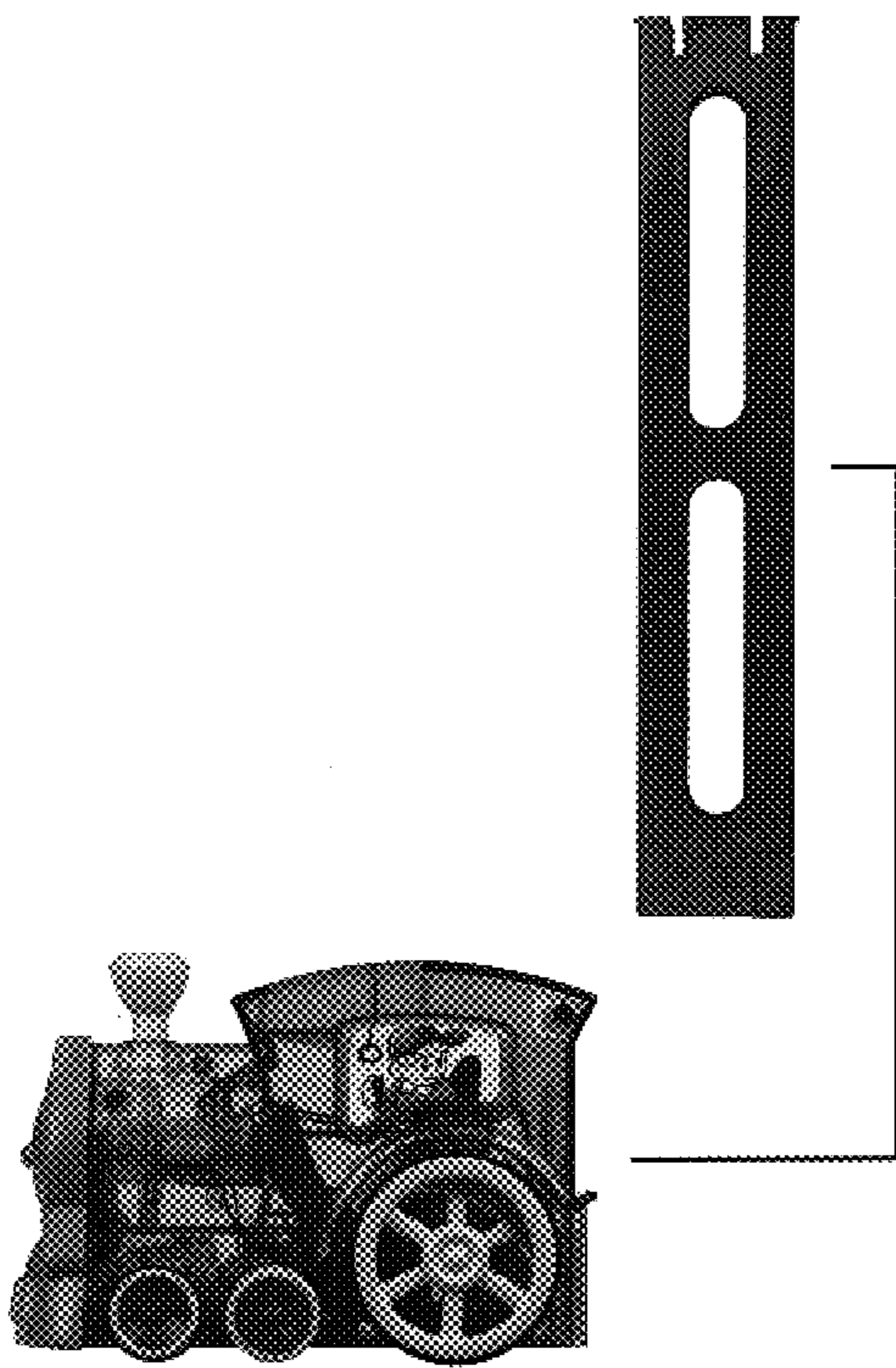


Fig. 4

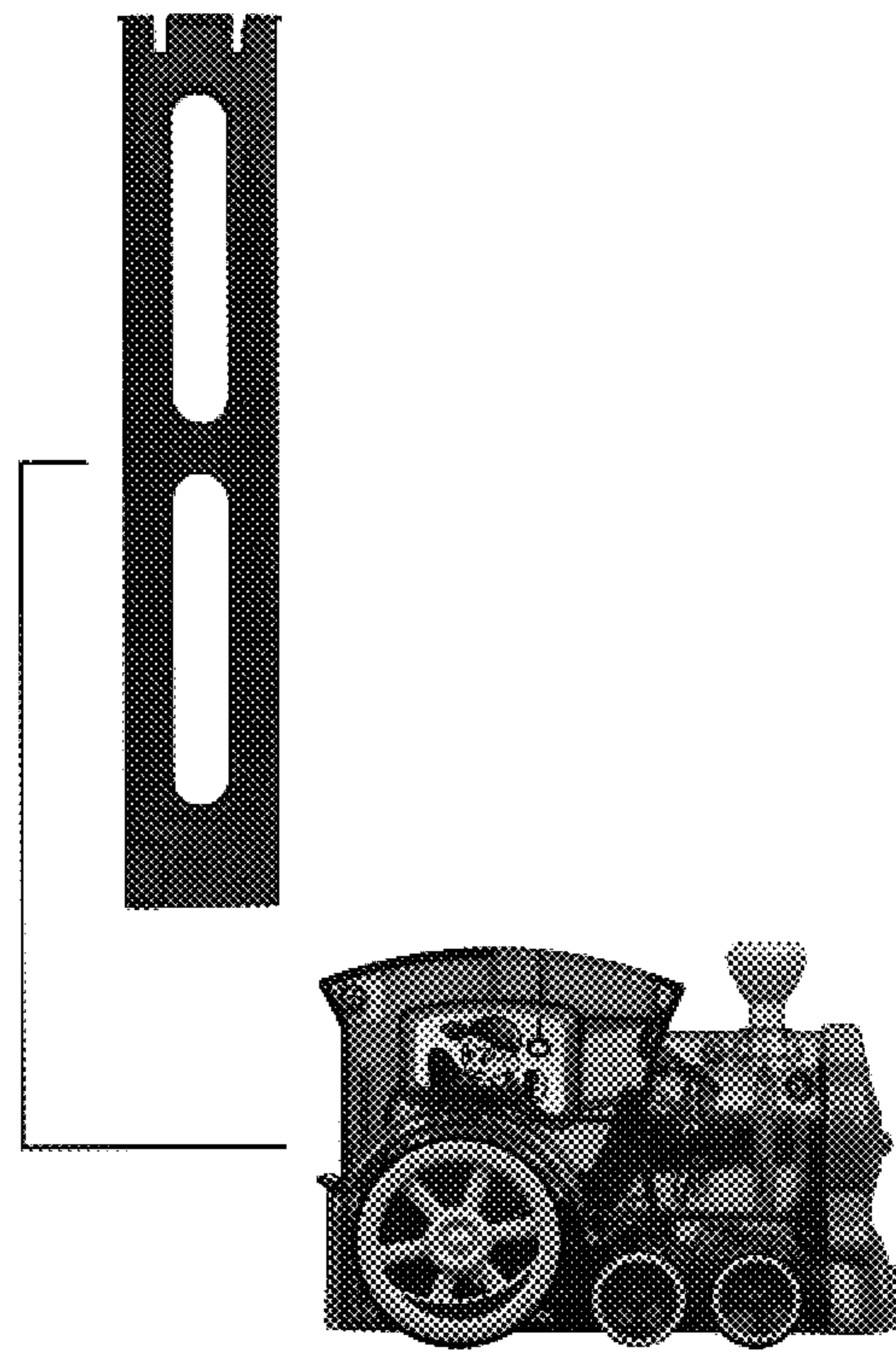


Fig. 5

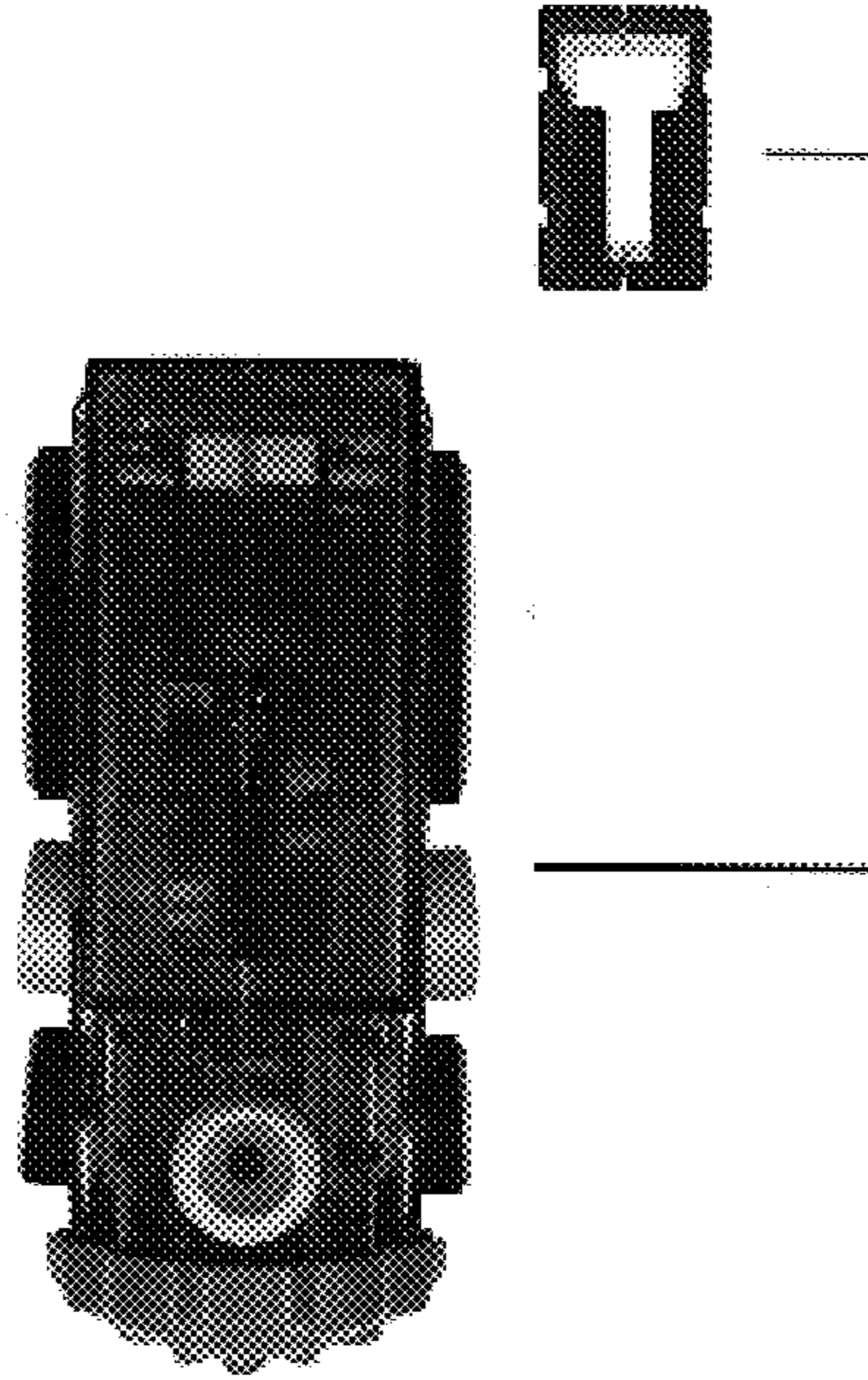


Fig. 6

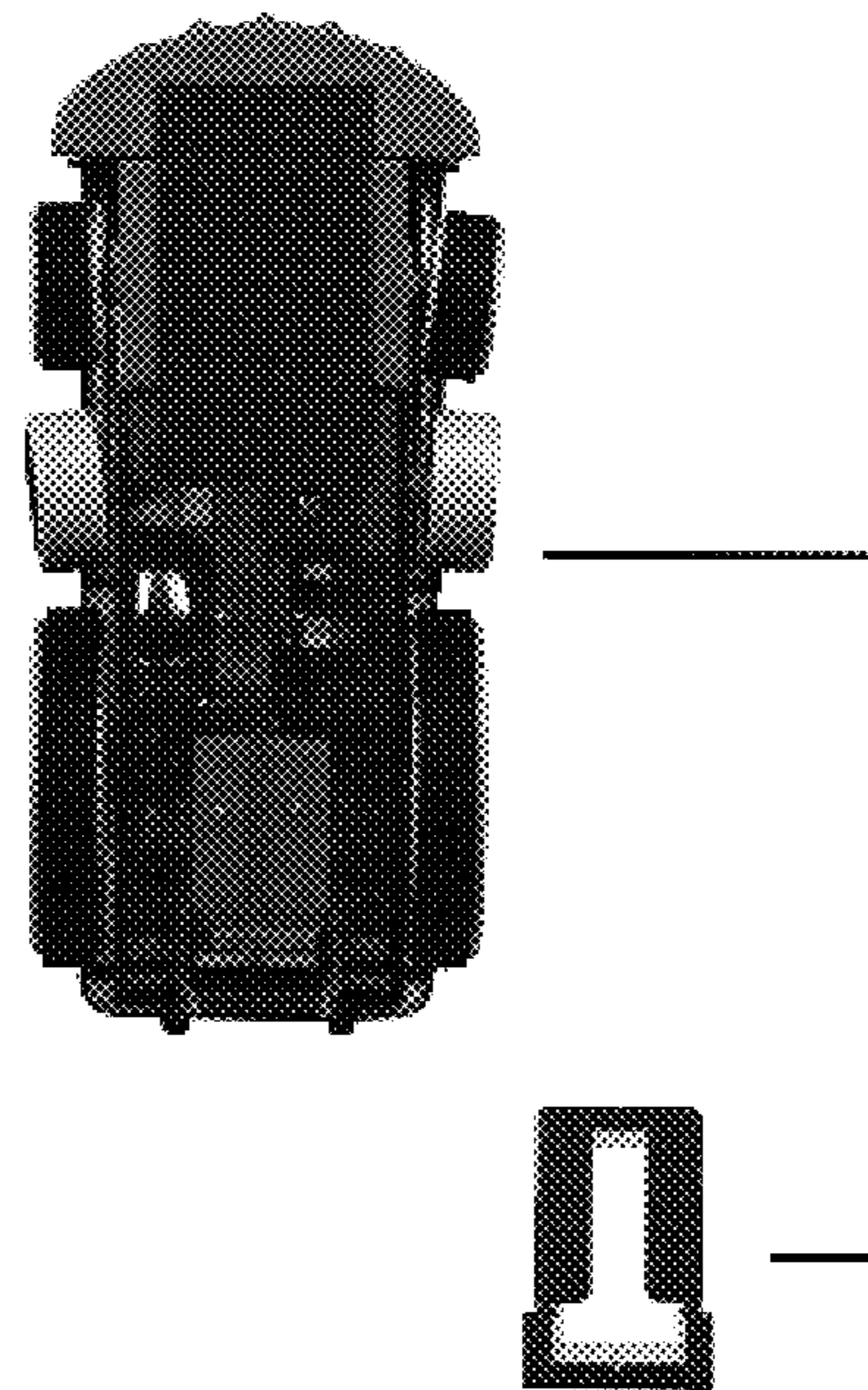


Fig. 7