

US00D497183S1

(12) **United States Design Patent**  
**Chiu**

(10) **Patent No.:** **US D497,183 S**

(45) **Date of Patent:** **\*\* Oct. 12, 2004**

(54) **WALL SUSPENSION CLAMP**

(76) **Inventor:** **Ta-Te Chiu**, 58, Ma Yuan West St.,  
Taichung (TW)

(\*\*) **Term:** **14 Years**

(21) **Appl. No.:** **29/198,112**

(22) **Filed:** **Jan. 20, 2004**

(51) **LOC (7) Cl.** ..... **19-02**

(52) **U.S. Cl.** ..... **D19/65; D19/90; D8/395**

(58) **Field of Search** ..... D8/389, 390, 394,  
D8/395; D19/65, 75, 78, 86, 88, 90, 91,  
99, 100; 24/67 R, 67.1-67.11, 334, 335,  
351-354, 509-511, 3, 11, 13; 248/441.1,  
451-453, 217.3

(56) **References Cited**

**U.S. PATENT DOCUMENTS**

382,480	A	*	5/1888	Lines	.....	24/334
769,336	A	*	9/1904	Cahn et al.	.....	24/499
1,226,540	A	*	5/1917	Lauletta	.....	24/353
5,148,581	A	*	9/1992	Hartmann	.....	24/351
5,484,126	A	*	1/1996	Kitchin	.....	248/217.3
D379,626	S	*	6/1997	Mak	.....	D19/65 X

D428,921	S	*	8/2000	Saylor et al.	.....	D19/65
D438,452	S	*	3/2001	Tsai	.....	D8/395
6,302,366	B1	*	10/2001	Saylor et al.	.....	248/452
D454,056	S	*	3/2002	Kung	.....	D19/65 X
D468,359	S	*	1/2003	Chen	.....	D19/90 X
D477,364	S	*	7/2003	Tsai	.....	D19/65
D478,628	S	*	8/2003	Sheldon et al.	.....	D19/65

\* cited by examiner

*Primary Examiner*—Martie K. Holtje

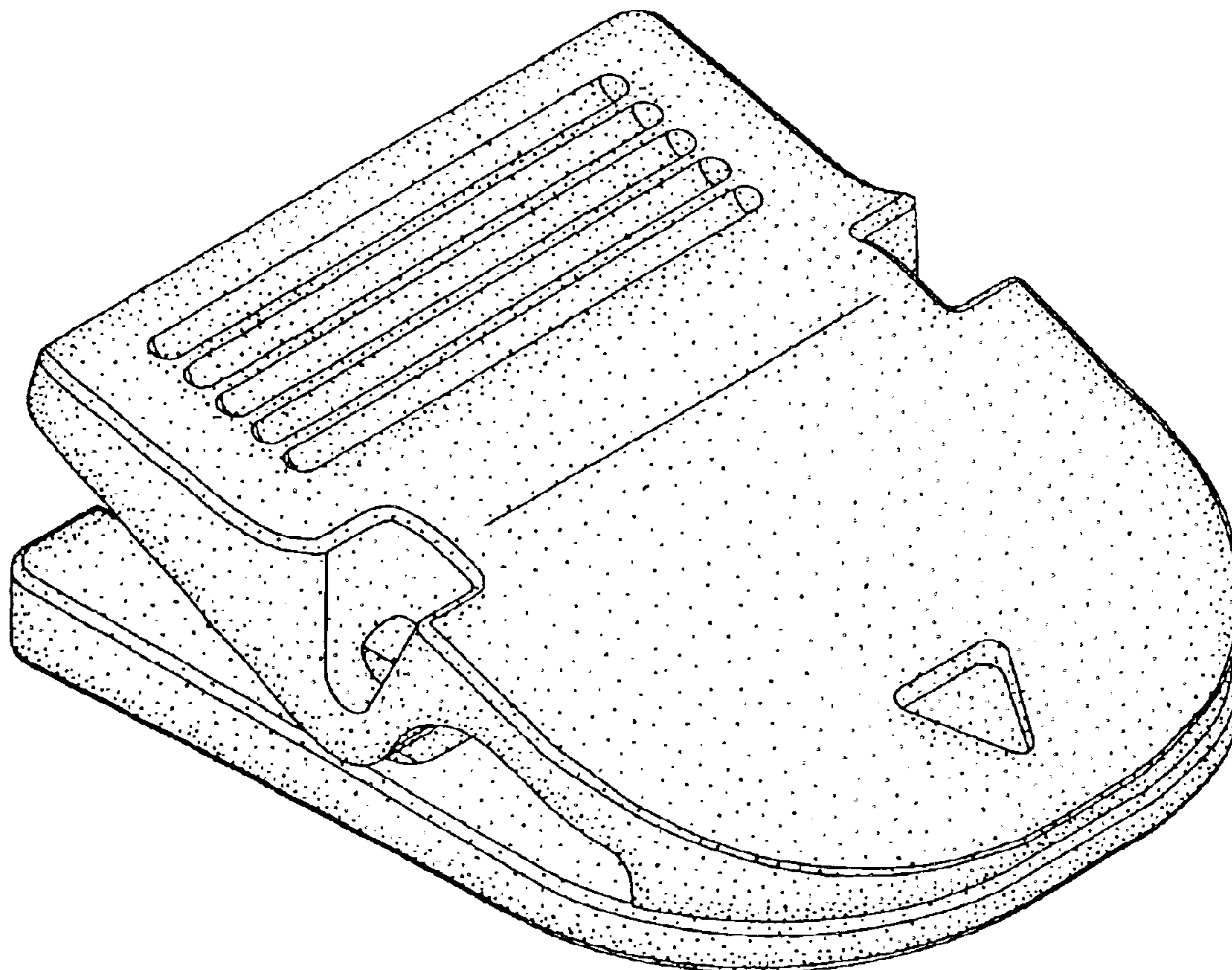
(57) **CLAIM**

The ornamental design for a wall suspension clamp, as shown and described.

**DESCRIPTION**

FIG. 1 is a perspective view of a wall suspension clamp showing my design;  
 FIG. 2 is a left side elevational view thereof;  
 FIG. 3 is a right side elevational view thereof;  
 FIG. 4 is a top plan view thereof;  
 FIG. 5 is a bottom plan view thereof;  
 FIG. 6 is a front elevational view thereof; and,  
 FIG. 7 is a rear elevational view thereof.

**1 Claim, 7 Drawing Sheets**



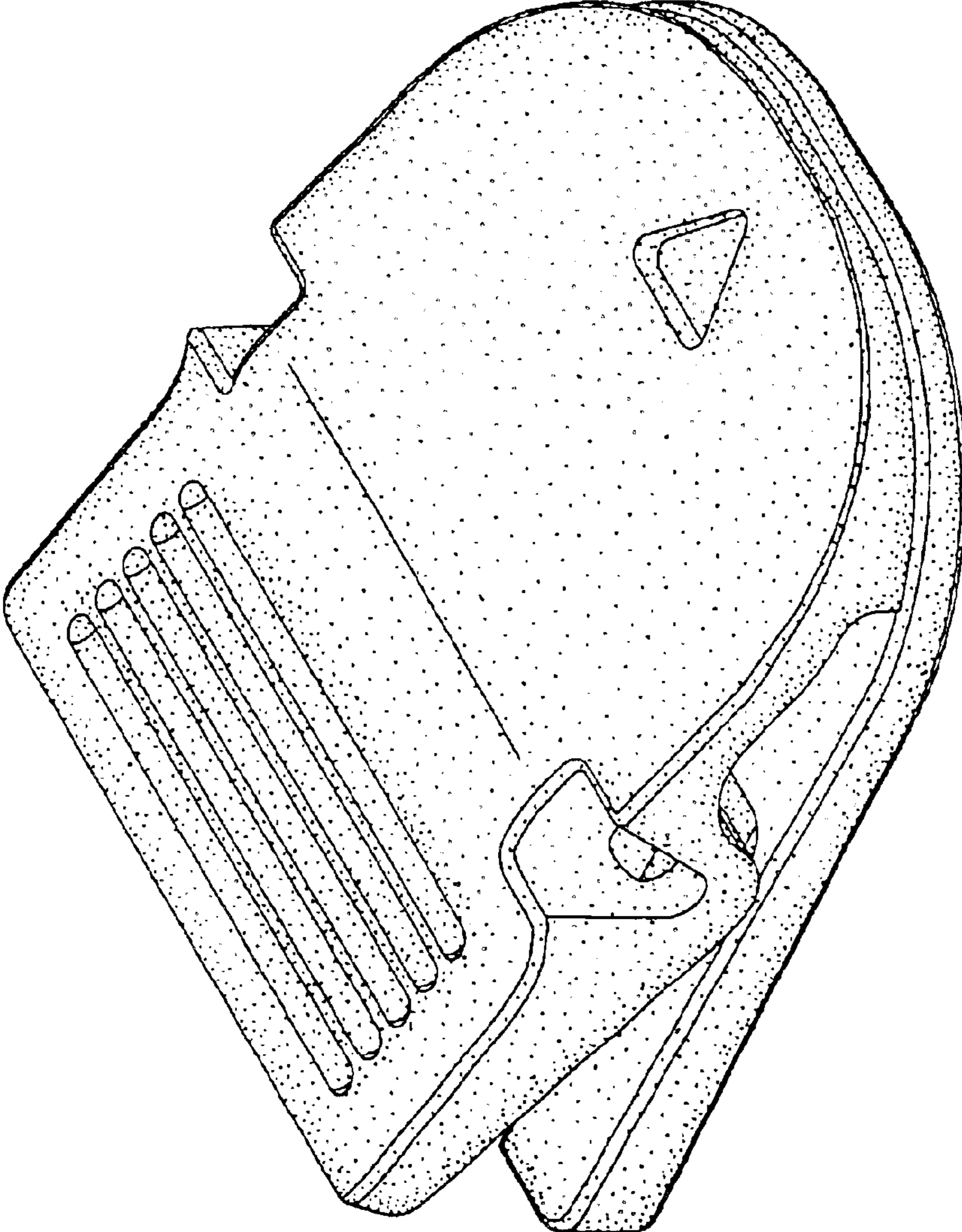


FIG 1

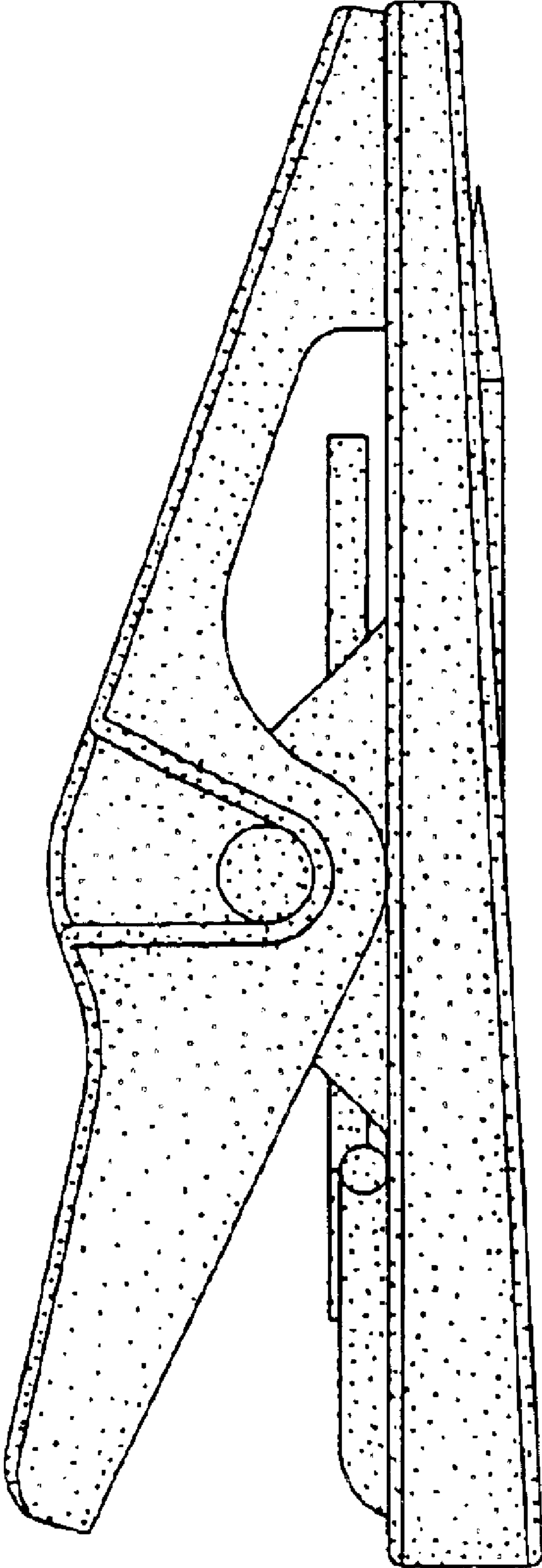


FIG 2

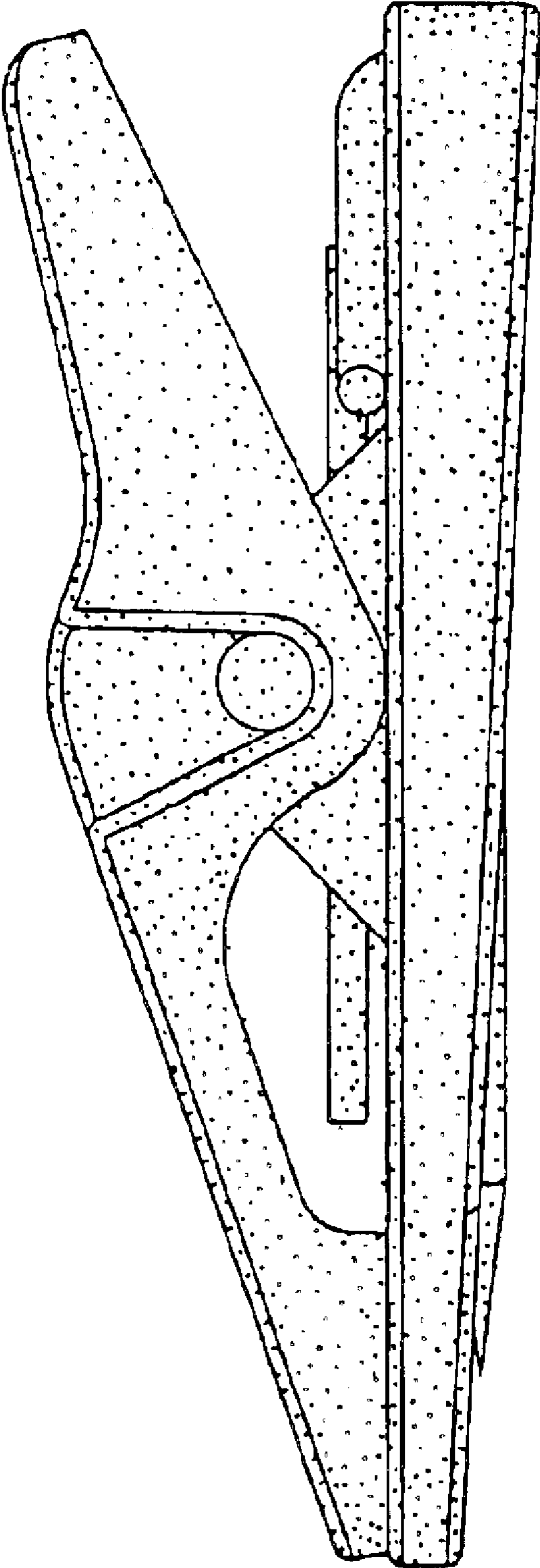


FIG 3

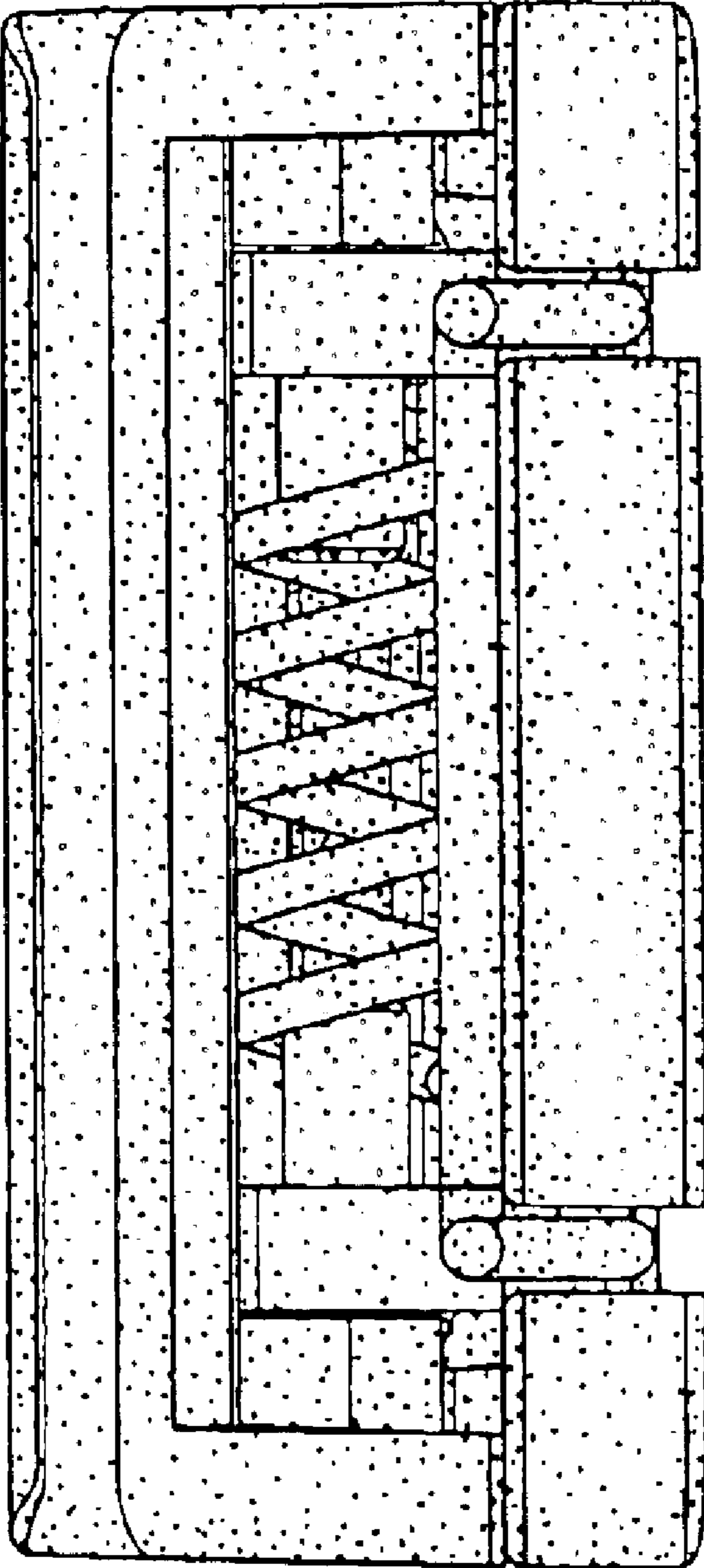


FIG4

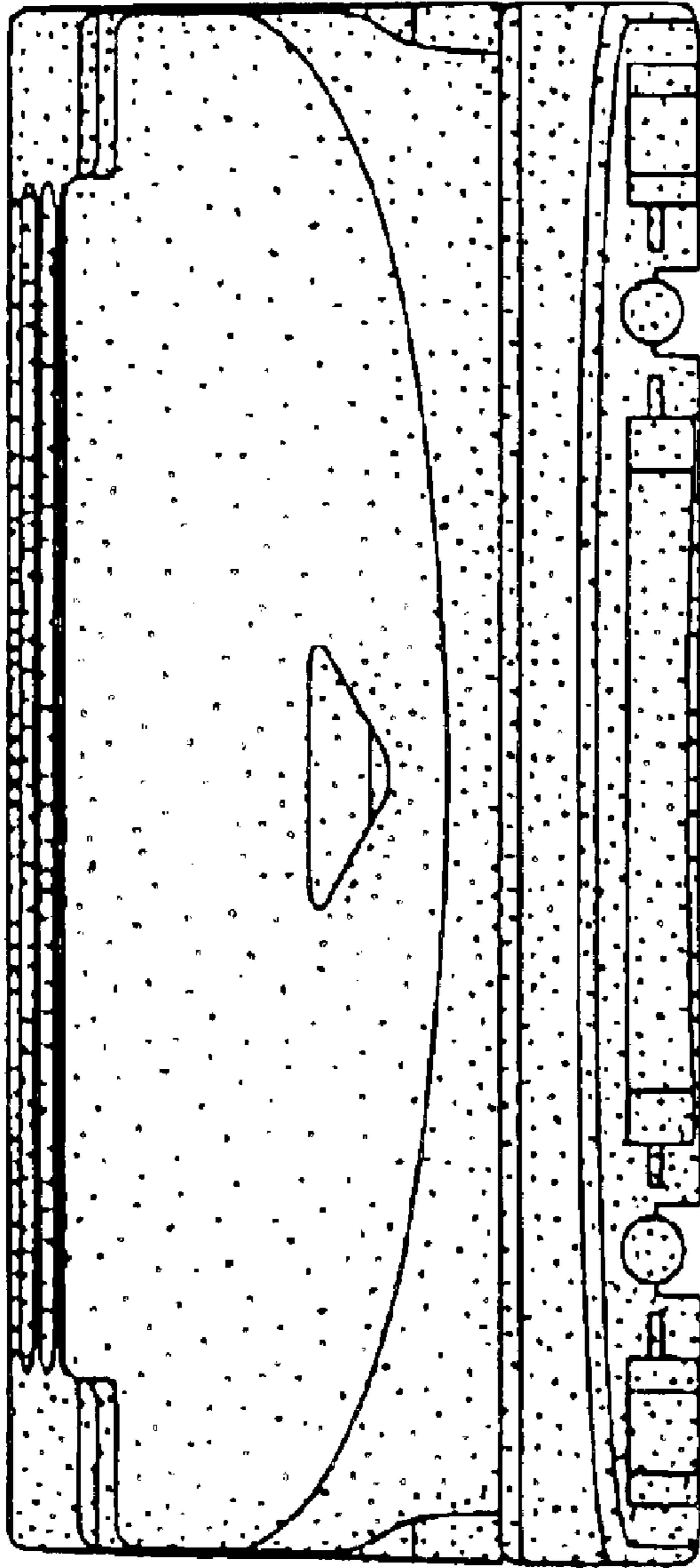


FIG 5

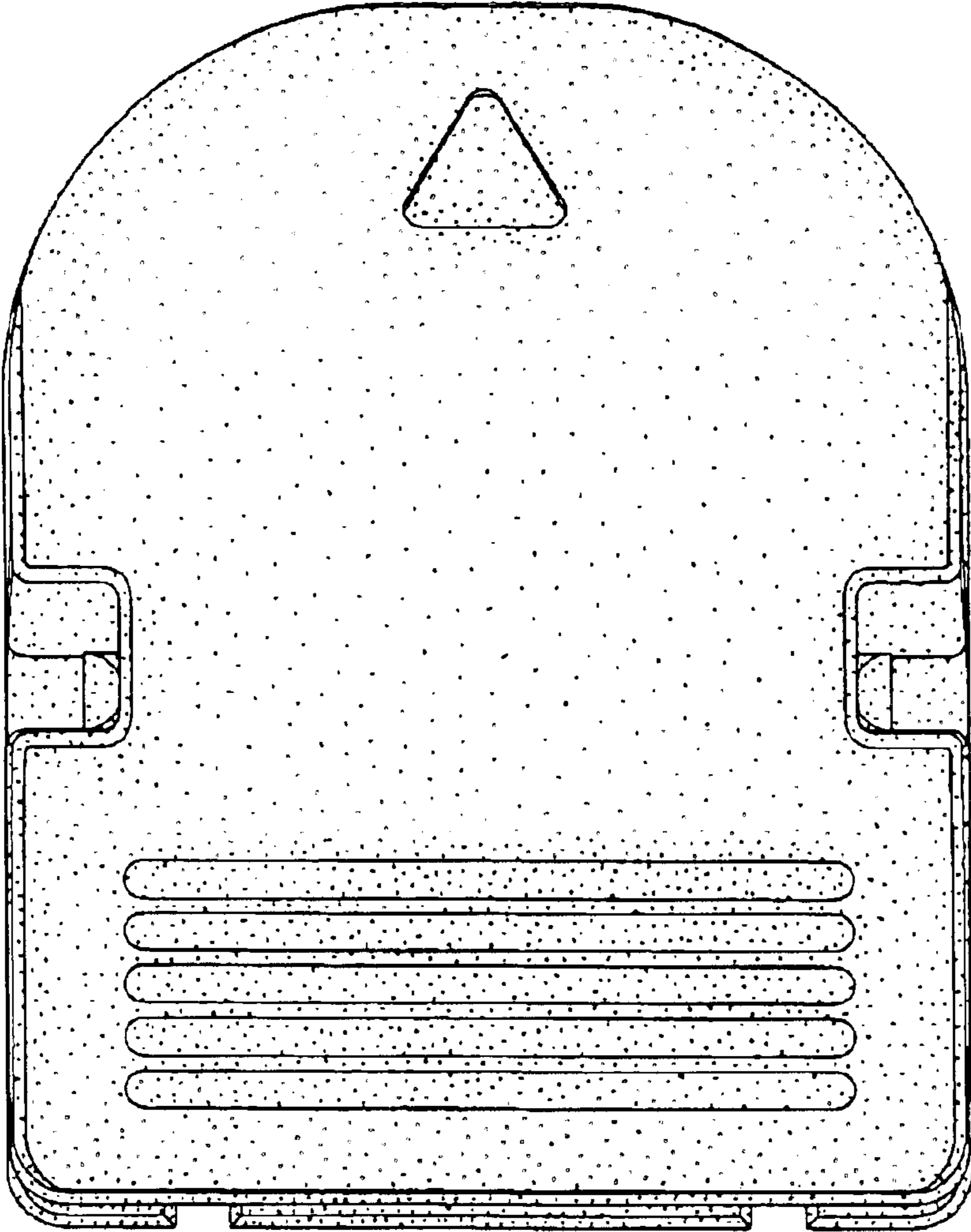


FIG 6

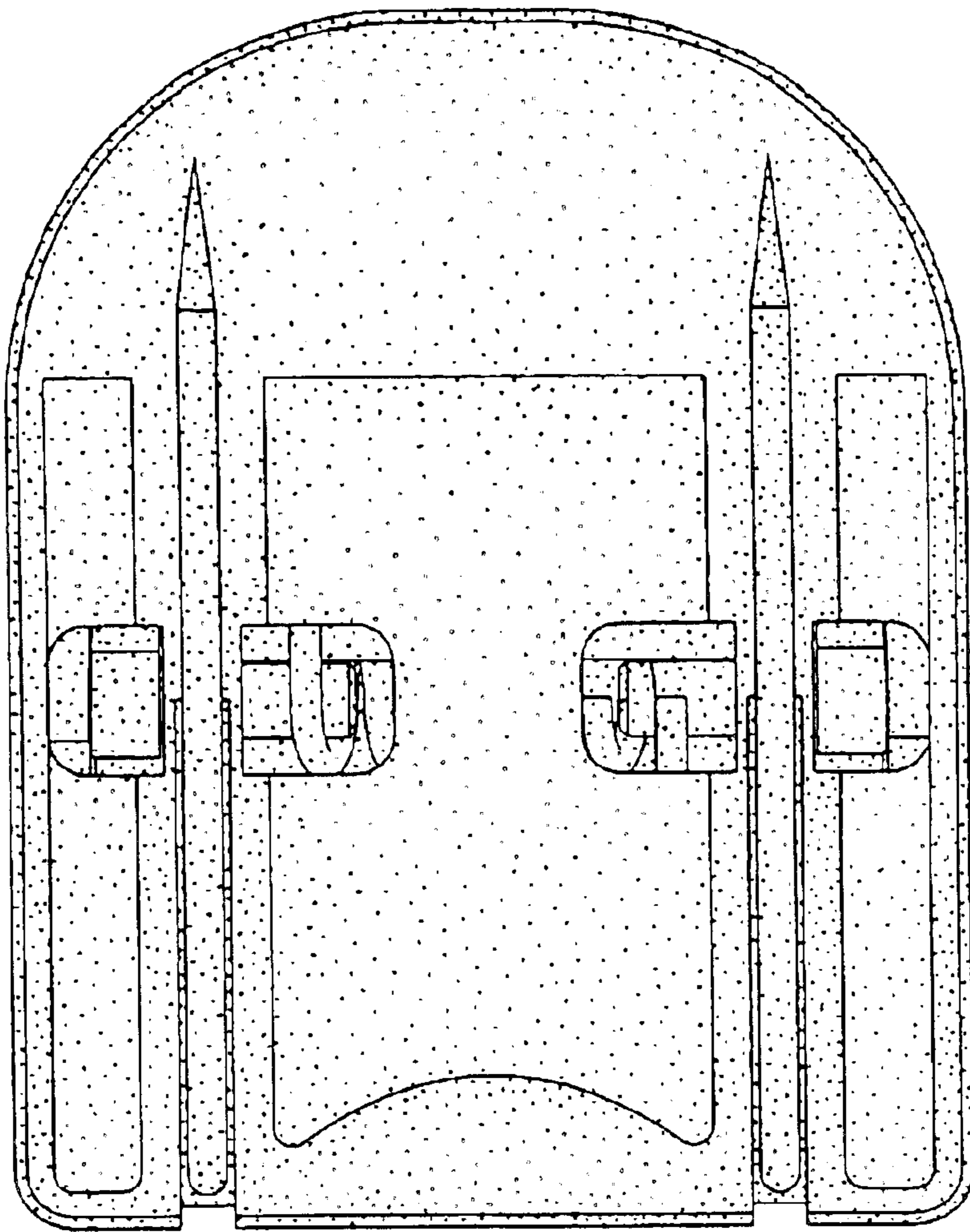


FIG 7