

US00D497178S1

(12) **United States Design Patent** (10) **Patent No.:** **US D497,178 S**
Weir (45) **Date of Patent:** **** Oct. 12, 2004**

(54) **GREETING CARD WITH FOLDING CUTOUT**

D319,259 S 8/1991 Weir

* cited by examiner

(76) Inventor: **E. Lee Weir**, 1469 Grandview Dr.,
Warrensburg, MO (US) 64093

Primary Examiner—James Gandy
Assistant Examiner—Elizabeth Albert

(**) Term: **14 Years**

(74) *Attorney, Agent, or Firm*—Mark E. Brown

(21) Appl. No.: **29/172,177**

(57) **CLAIM**

(22) Filed: **Dec. 6, 2002**

The ornamental design for a greeting card with folding cutout, as shown and described.

(51) **LOC (7) Cl.** **19-01**

DESCRIPTION

(52) **U.S. Cl.** **D19/2**

(58) **Field of Search** D19/1, 2, 3, 4,
D19/6, 7, 8; D20/10, 27, 40; 40/124.01,
124.06, 124.09, 124.11, 124.15, 672; 229/71;
283/117; 493/216, 944

FIG. 1 is an upper, rear, right-side perspective view of a greeting card with folding cutout, showing my new design; FIG. 2 is a rear elevational view thereof; FIG. 3 is a front elevational view thereof; FIG. 4 is a right sided elevational view thereof; FIG. 5 is a left side elevational view thereof; FIG. 6 is a top plan view thereof, the bottom plan view being a mirror image; and,

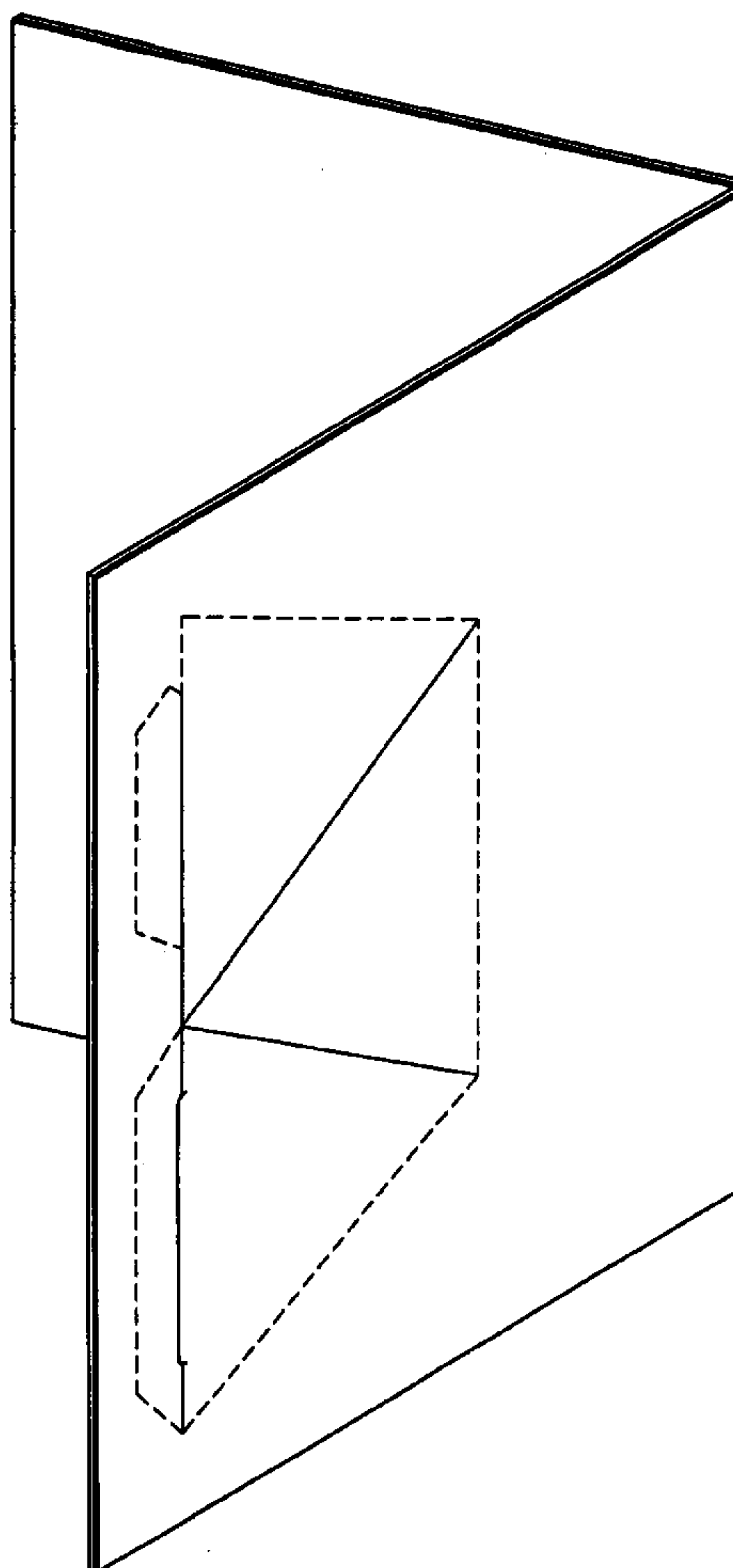
(56) **References Cited**

U.S. PATENT DOCUMENTS

D128,437 S	*	7/1941	Moskowitz	D19/4
2,832,176 A	*	4/1958	Vergeer	40/124.01
3,228,139 A	*	1/1966	Lohnes	446/148
3,455,575 A	*	7/1969	Seidman	283/102
4,084,015 A	*	4/1978	Patterson	428/9
4,418,497 A	*	12/1983	Mastriano	47/67

FIG. 7 is an upper, front, right side perspective view of a greeting card with folding cutout, showing a first modified embodiment of my new design with a front panel cutout. The dotted lines represent perforations on the surface of the greeting card.

1 Claim, 5 Drawing Sheets



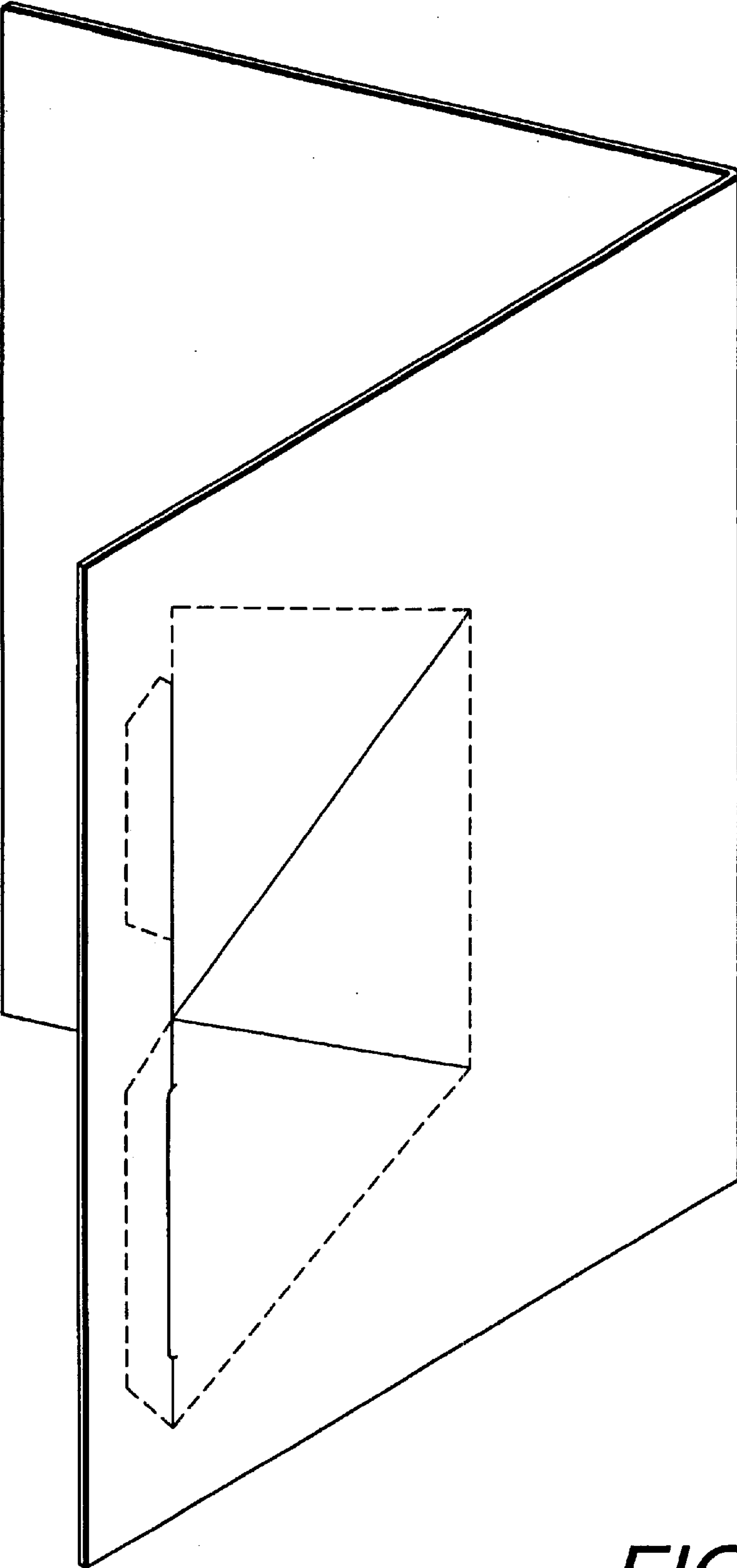


FIG. 1

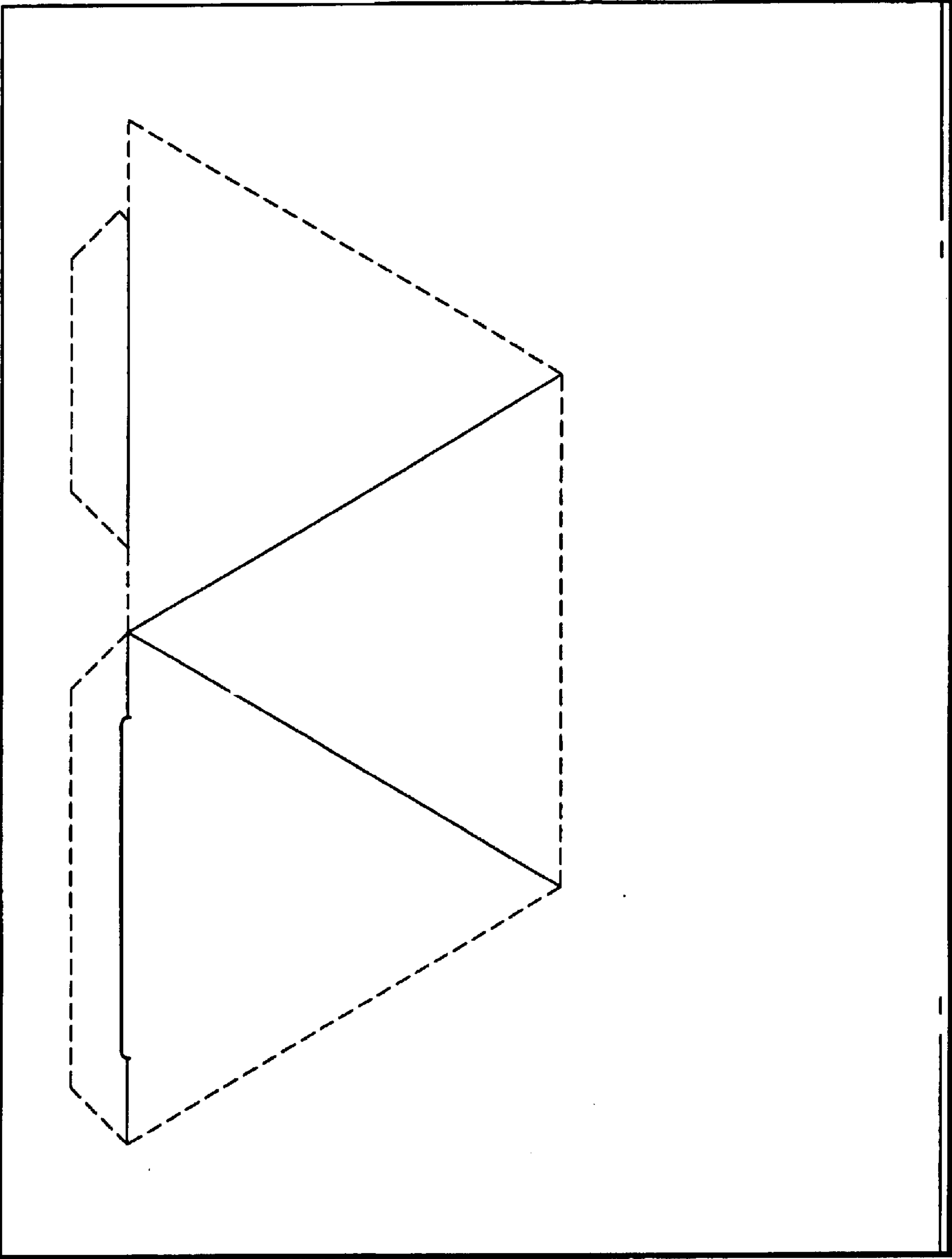


FIG. 2

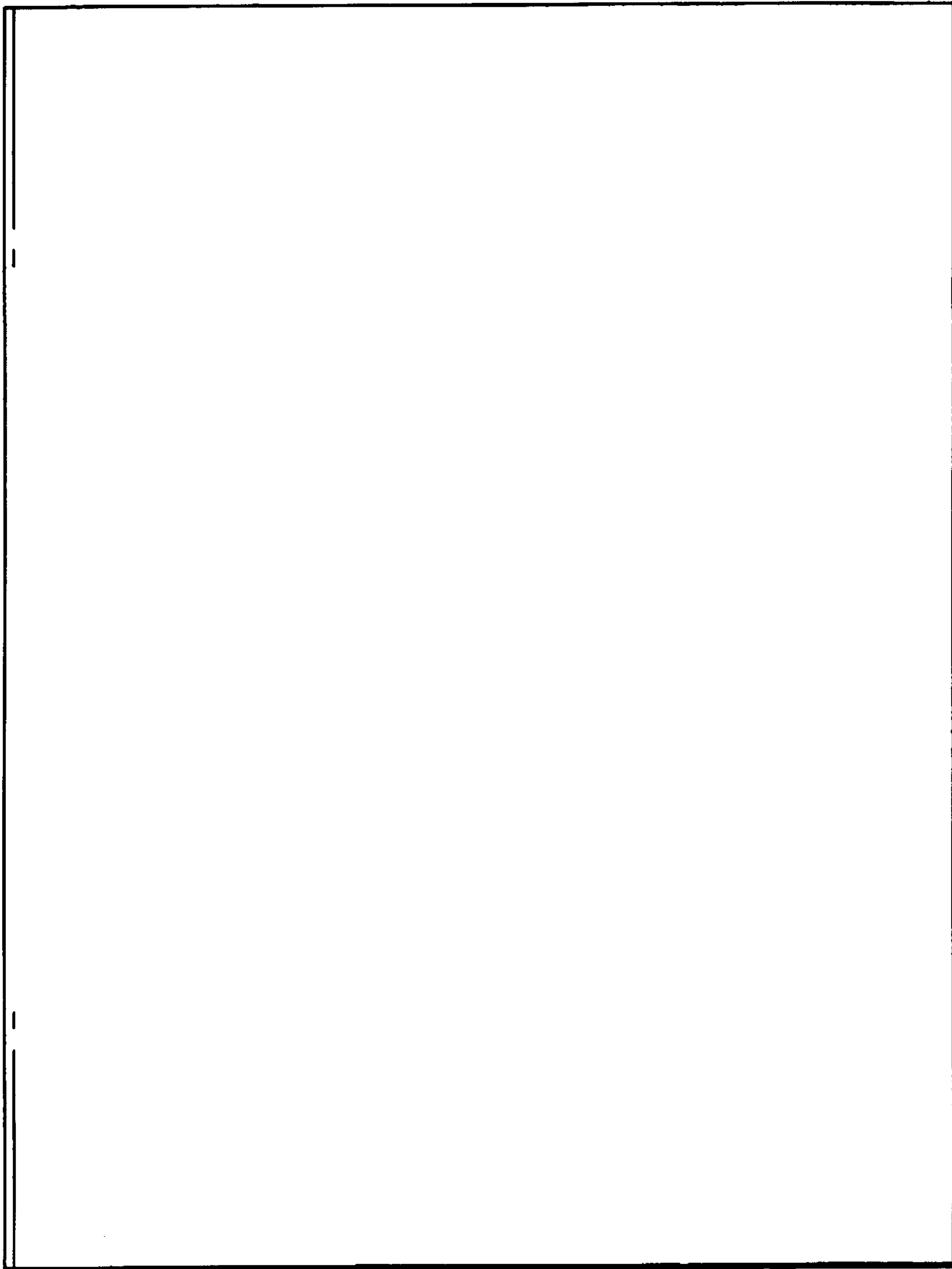


FIG. 3



FIG. 4

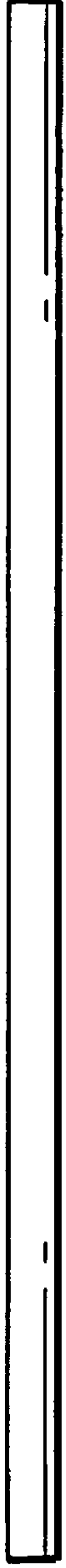


FIG. 5



FIG. 6

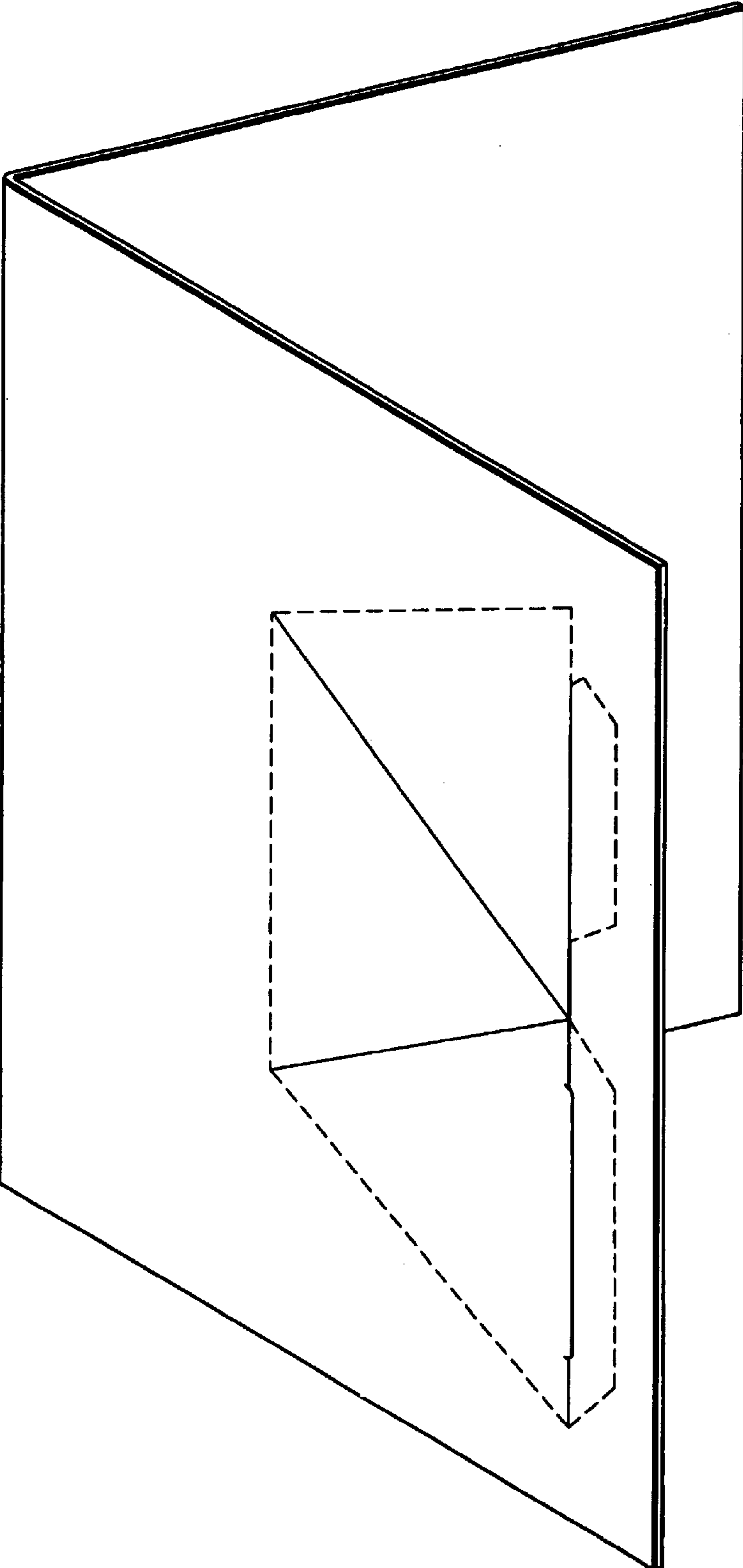


FIG. 7