



US00D497174S1

(12) **United States Design Patent**
Omino et al.

(10) **Patent No.:** **US D497,174 S**
(45) **Date of Patent:** **** Oct. 12, 2004**

(54) **SINGLE-LENS REFLEX DIGITAL CAMERA**

(75) Inventors: **Seiichi Omino**, Kawasaki (JP);
Hiroyuki Fukushima, Tokyo (JP)

(73) Assignee: **Canon Kabushiki Kaisha**, Tokyo (JP)

(**) Term: **14 Years**

(21) Appl. No.: **29/198,281**

(22) Filed: **Jan. 29, 2004**

(30) **Foreign Application Priority Data**

Aug. 4, 2003 (JP) 2003-022518

(51) **LOC (7) Cl.** **16-01**

(52) **U.S. Cl.** **D16/217; D16/202**

(58) **Field of Search** D16/200–206,
D16/208, 216, 217, 218; 348/373–376;
358/909.1; 396/175, 176, 354–359, 535–541

(56) **References Cited**

U.S. PATENT DOCUMENTS

5,253,003 A * 10/1993 Fujii et al. 396/175
D388,109 S * 12/1997 Kimura et al. D16/217

D425,094 S * 5/2000 Morishita et al. D16/217
D433,434 S * 11/2000 Hamamura D16/217
D439,922 S * 4/2001 Kumakura D16/217
D471,222 S * 3/2003 Matsumura D16/217

* cited by examiner

Primary Examiner—Adir Aronovich

(74) *Attorney, Agent, or Firm*—Fitzpatrick, Cella, Harper & Scinto

(57) **CLAIM**

The ornamental design for a single-lens reflex digital camera, as shown and described.

DESCRIPTION

FIG. 1 is a front view of a single-lens reflex digital camera showing our new design;
FIG. 2 is a rear view thereof;
FIG. 3 is a top plan view thereof;
FIG. 4 is a bottom plan view thereof;
FIG. 5 is a left side view thereof;
FIG. 6 is a right side view thereof; and,
FIG. 7 is a perspective view thereof.

1 Claim, 4 Drawing Sheets

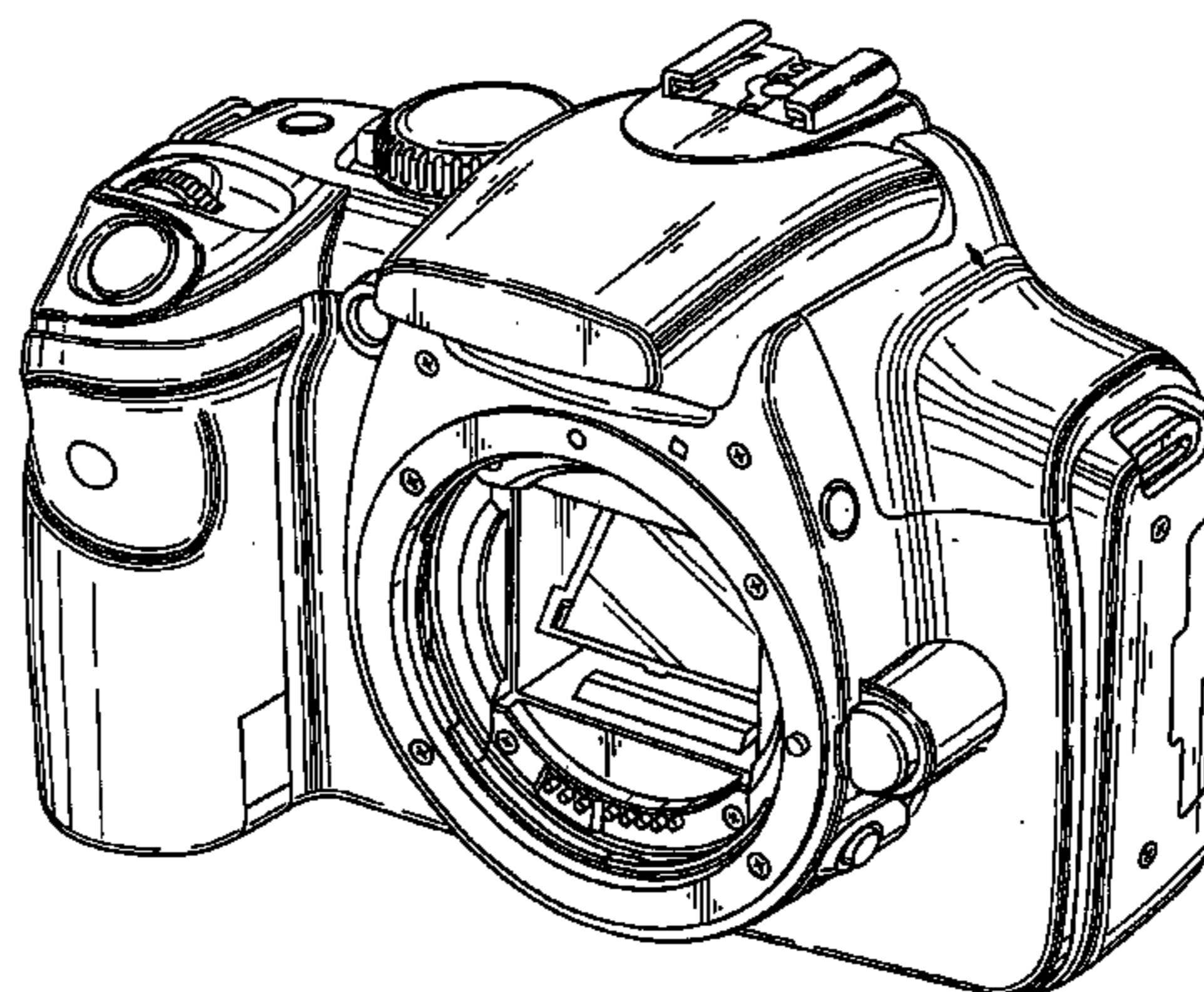
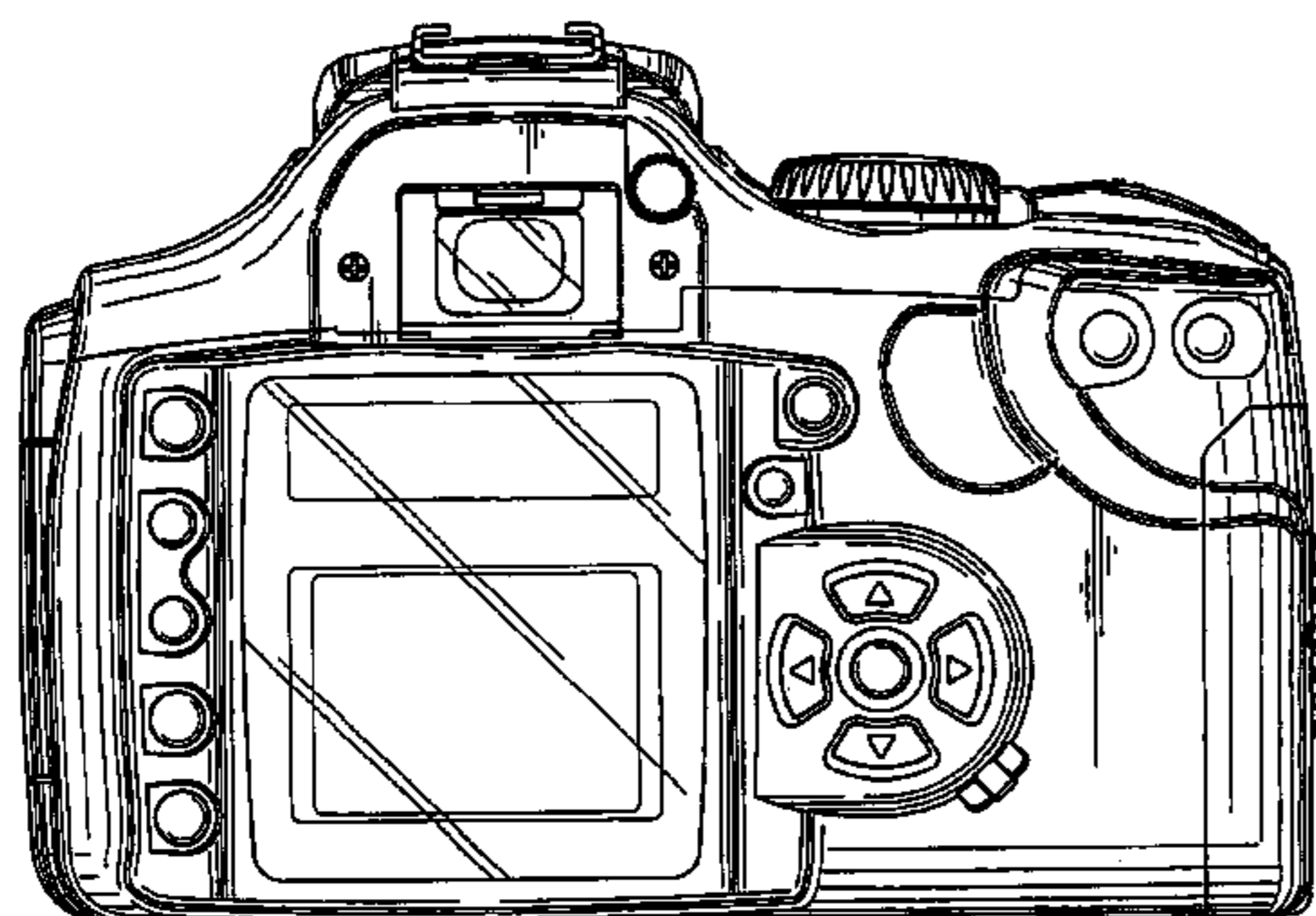


FIG. 1

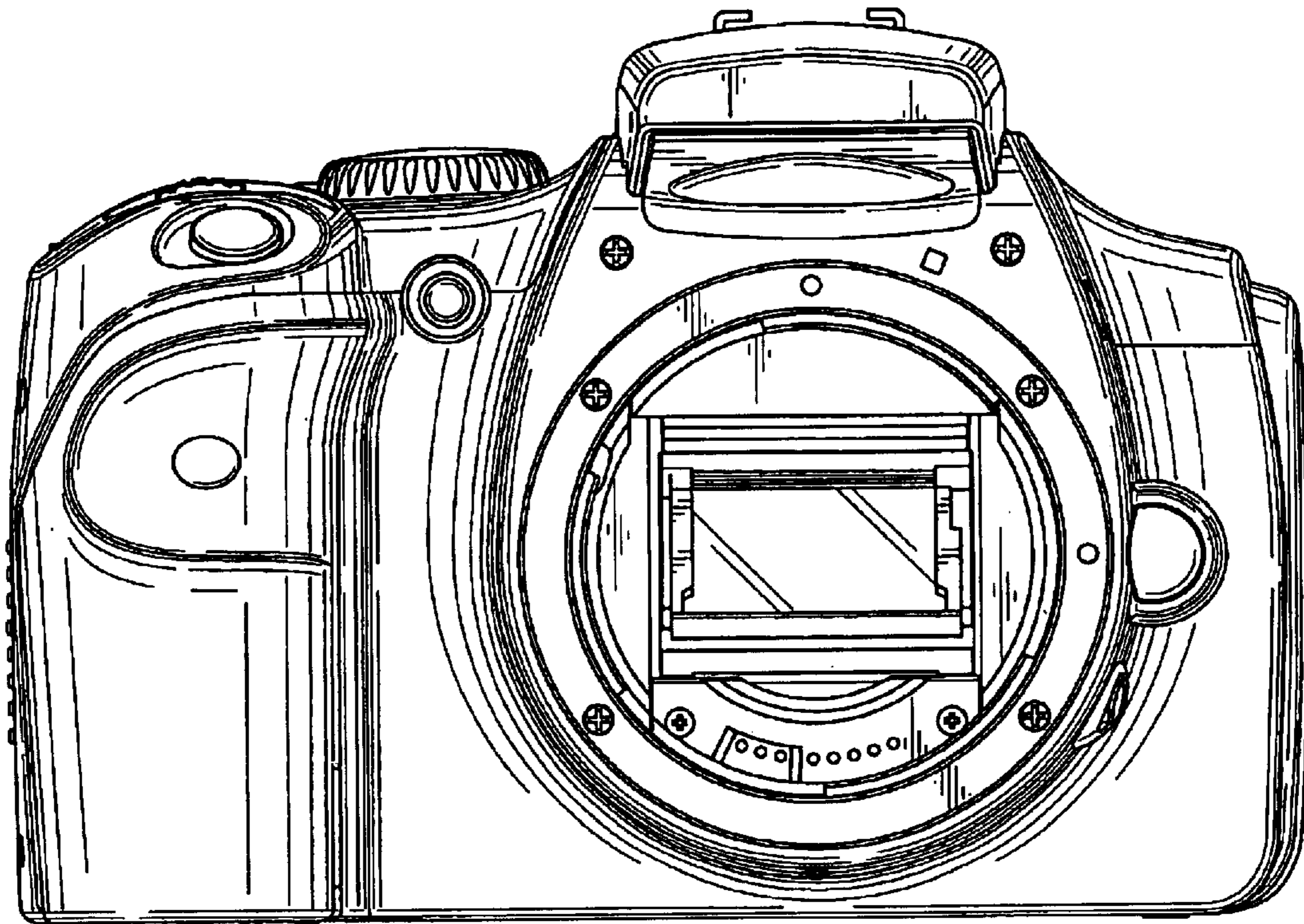


FIG. 2

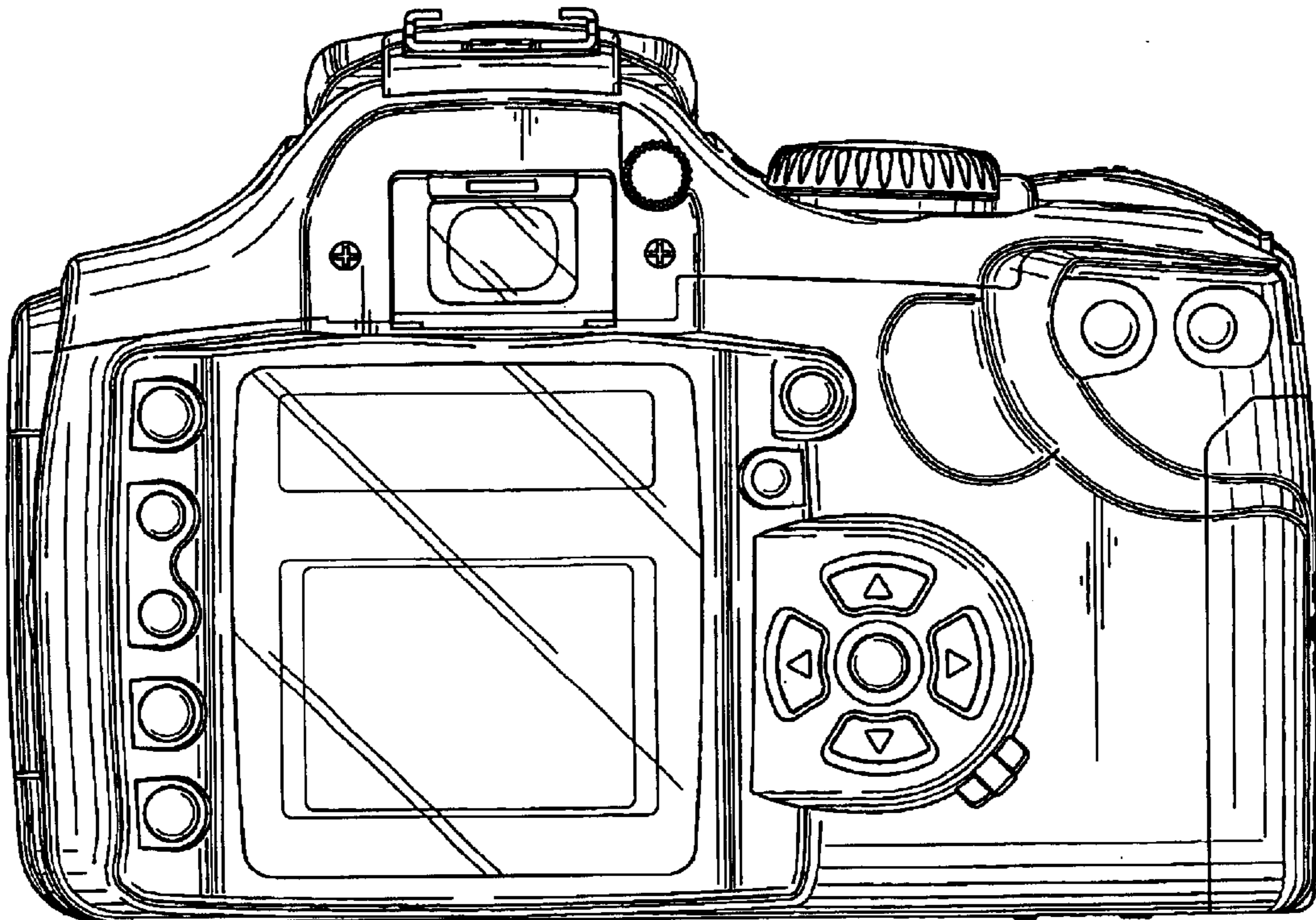


FIG. 3

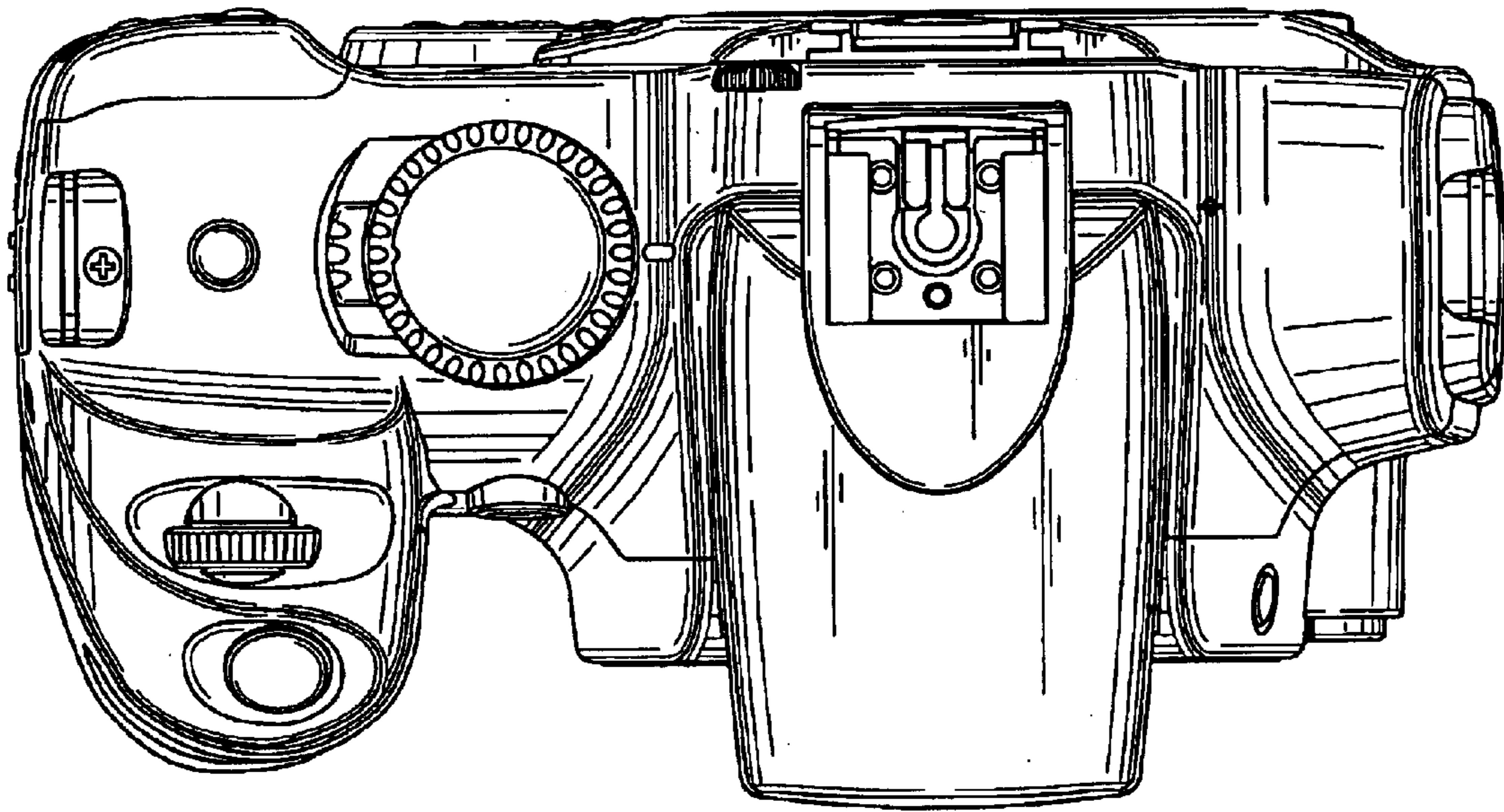


FIG. 4

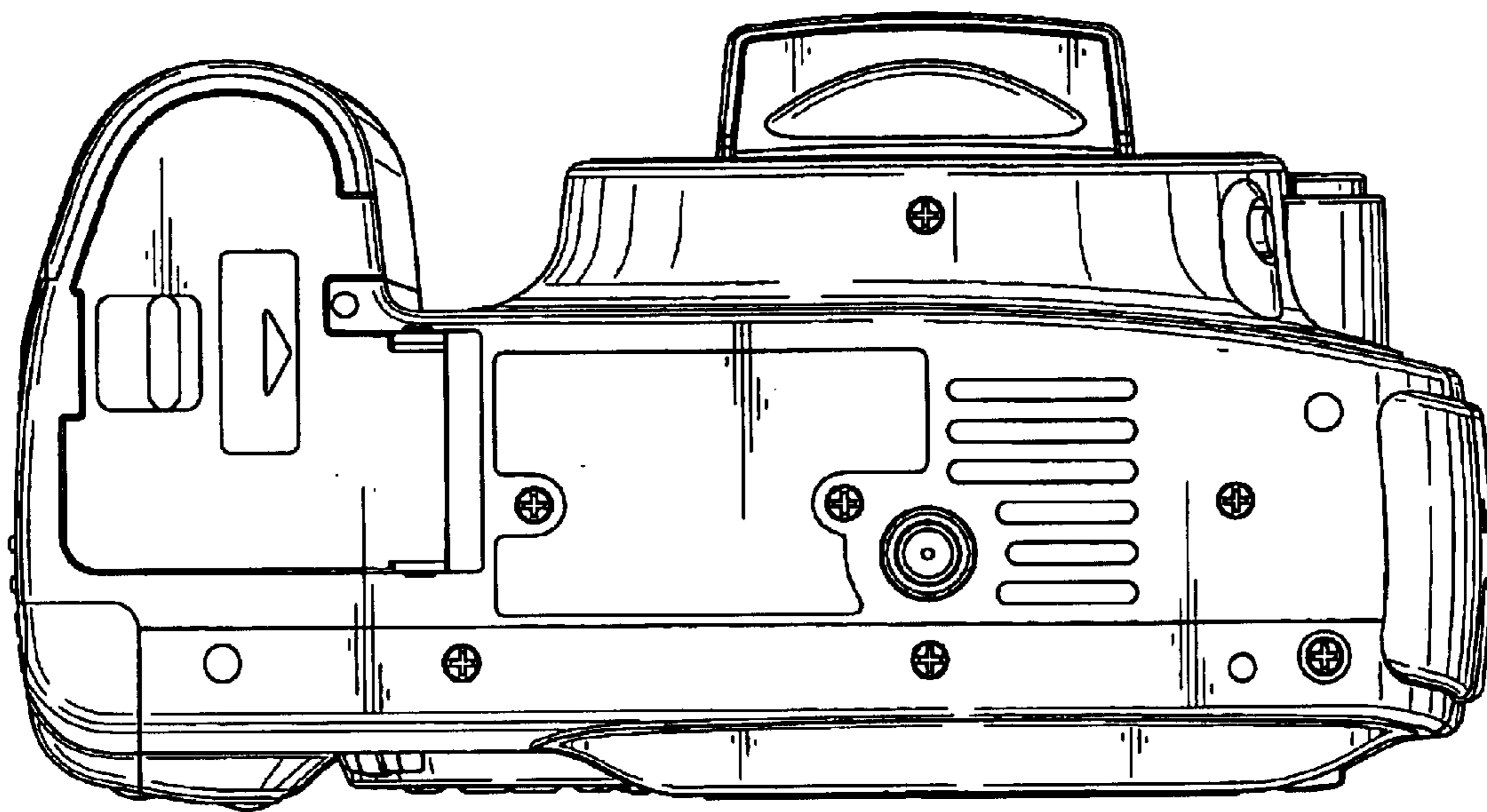


FIG. 5

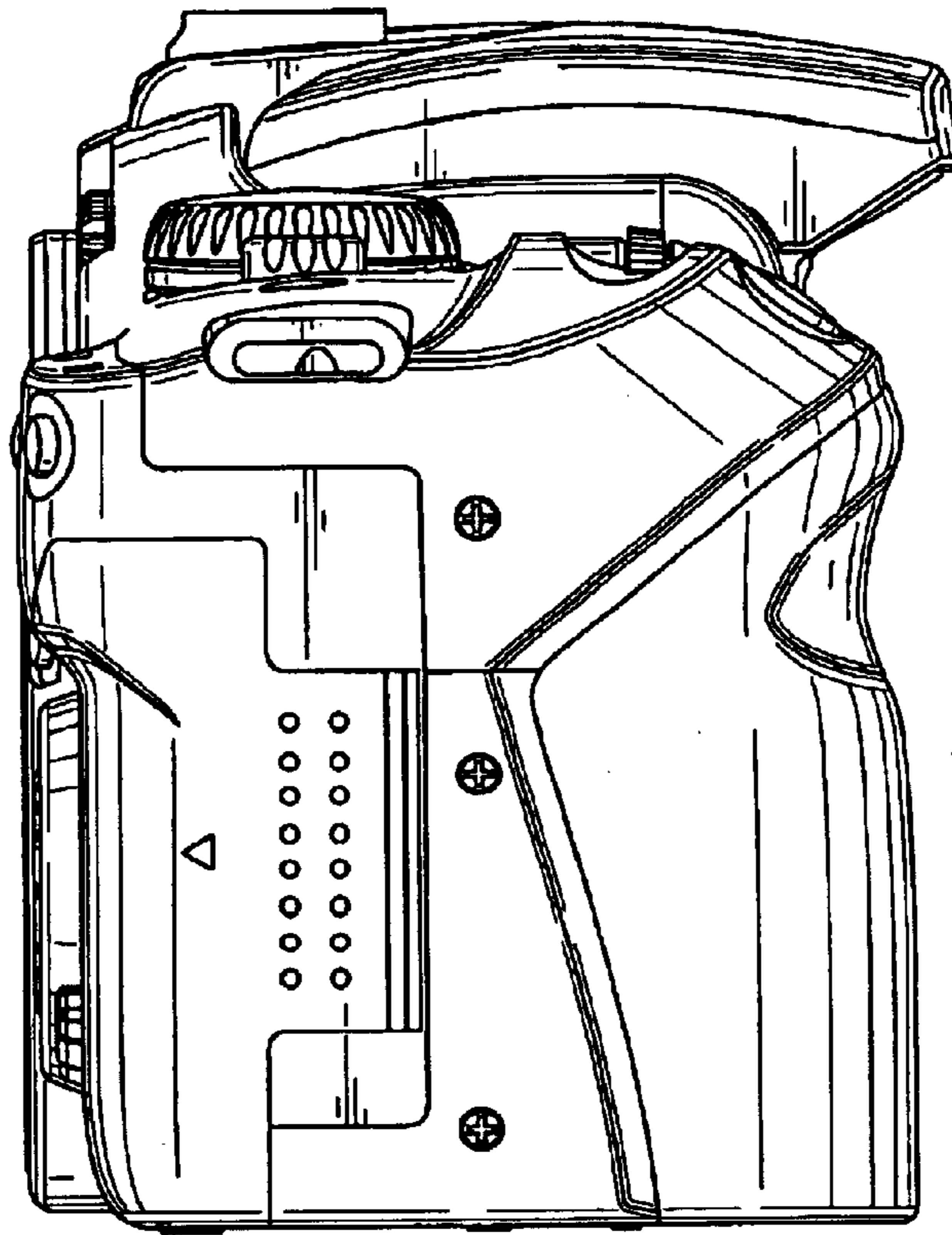


FIG. 6

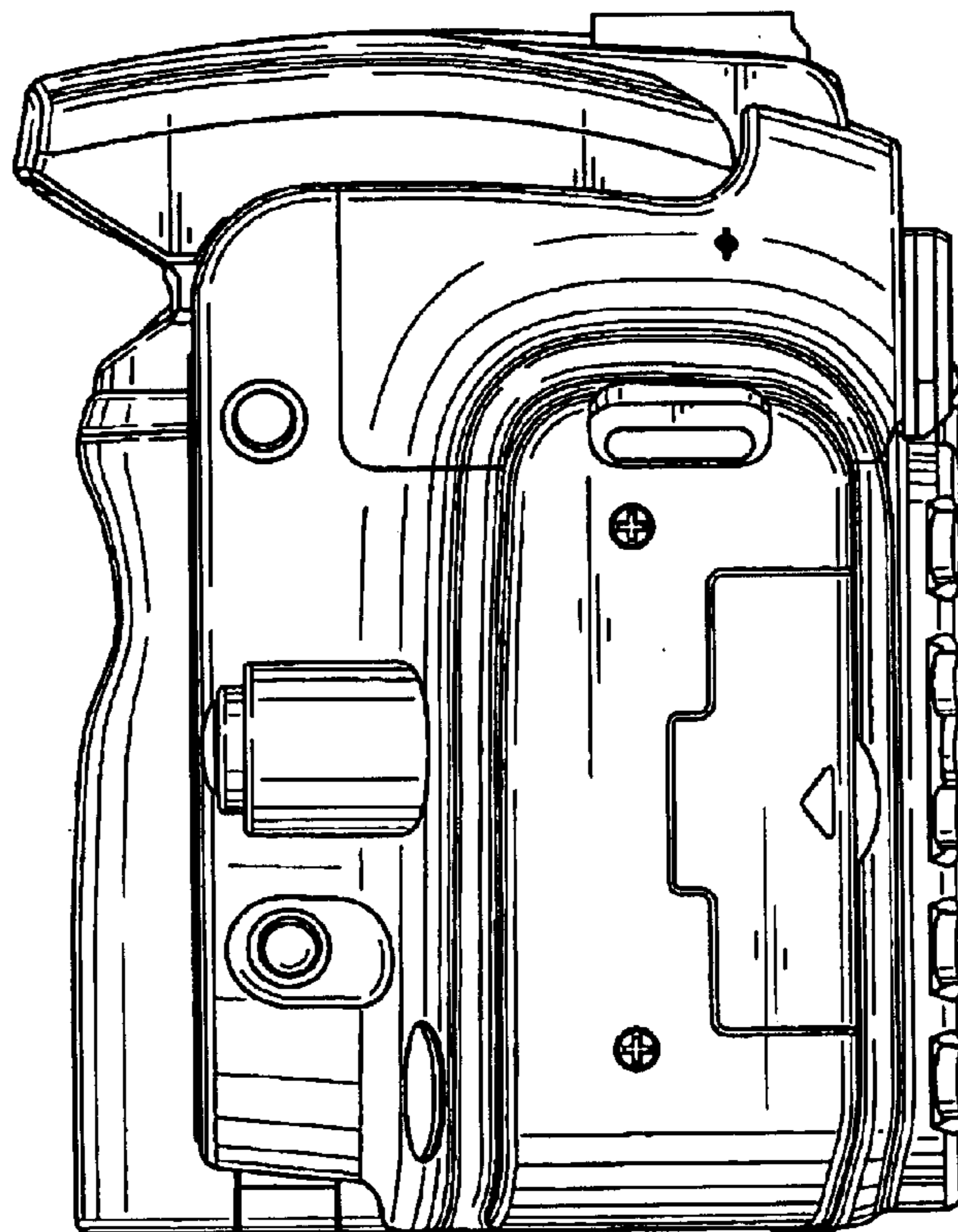


FIG. 7

