



US00D497172S1

(12) **United States Design Patent**
Gingerella

(10) **Patent No.:** **US D497,172 S**

(45) **Date of Patent:** **** Oct. 12, 2004**

(54) **GEM MICROSCOPE STAGE**

5,446,595 A * 8/1995 McFall 359/804
D367,869 S * 3/1996 Hofmann-Igl et al. D16/131
D417,880 S * 12/1999 Wani et al. D16/131

(75) Inventor: **Sherman Gingerella**, Carlsbad, CA
(US)

* cited by examiner

(73) Assignee: **Gemological Institute of America, Inc.**, Carlsbad, CA (US)

Primary Examiner—Paula A. Greene
(74) *Attorney, Agent, or Firm*—Gray Cary Ware & Freidenrich LLP

(**) Term: **14 Years**

(57) **CLAIM**

(21) Appl. No.: **29/190,295**

The ornamental design for a gem microscope stage, as shown and described.

(22) Filed: **Sep. 17, 2003**

(51) **LOC (7) Cl.** **16-06**

(52) **U.S. Cl.** **D16/131**

(58) **Field of Search** D16/130, 131;
359/376, 377, 375, 381, 382, 385, 390,
802, 804, 809, 810, 811, 816, 399; 356/30,
246

DESCRIPTION

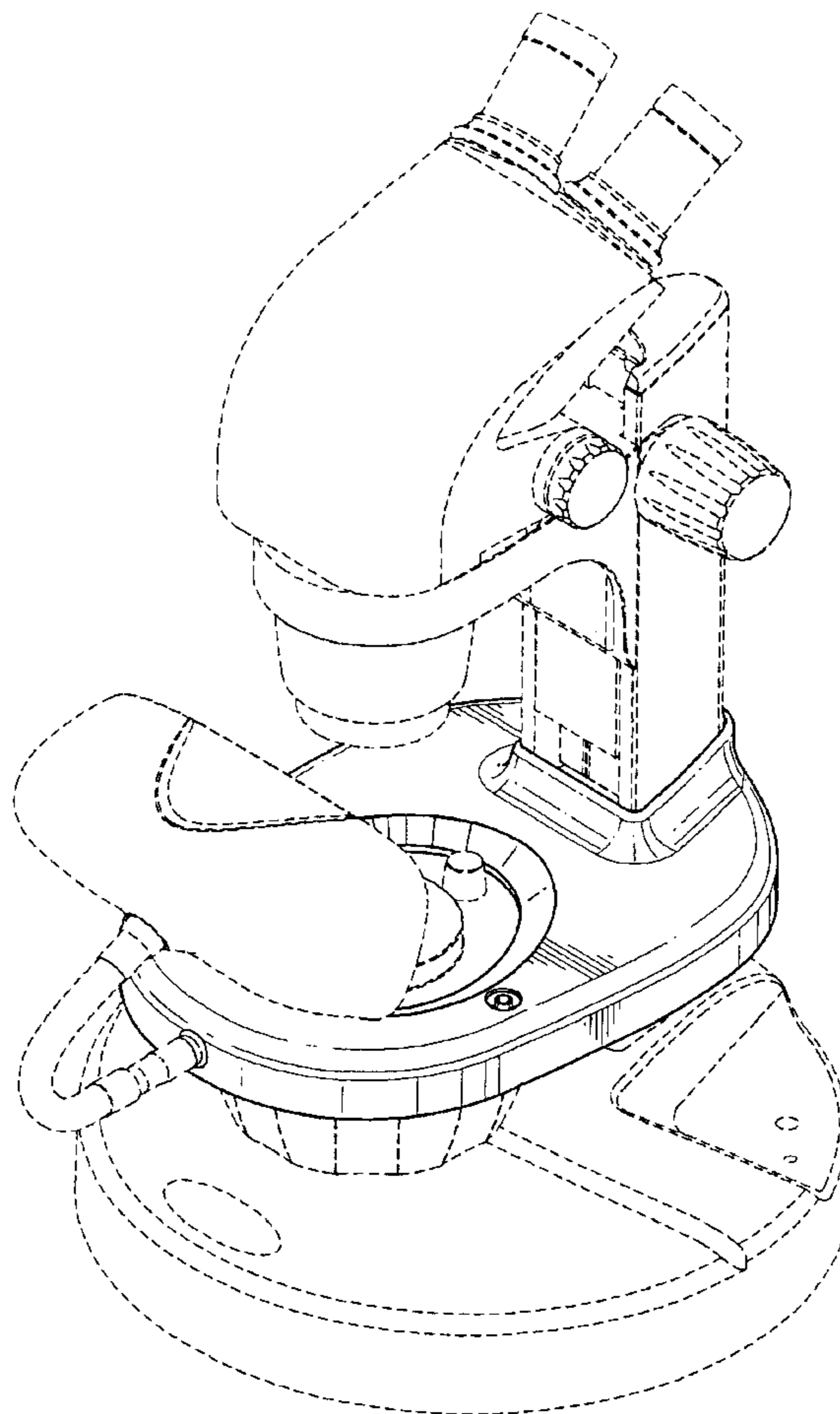
FIG. 1 is a perspective side view of a gem microscope having a gem microscope stage;
FIG. 2 is a perspective view of the gem microscope stage;
FIG. 3 is a top view of the gem microscope stage;
FIG. 4 is a bottom view of the gem microscope stage;
FIG. 5 is a right side view of the gem microscope stage;
FIG. 6 is a front end view of the gem microscope stage; and,
FIG. 7 is a rear end view of the gem microscope stage.
The broken lines in FIG. 1 is for illustrative purposes only and forms no part of the claimed design.

(56) **References Cited**

U.S. PATENT DOCUMENTS

D209,096 S * 10/1967 Esmay et al. D16/131
5,076,680 A * 12/1991 Arjarasumpun 359/391
5,260,763 A * 11/1993 Yamashita 356/30
D345,748 S * 4/1994 Holbl D16/131

1 Claim, 3 Drawing Sheets



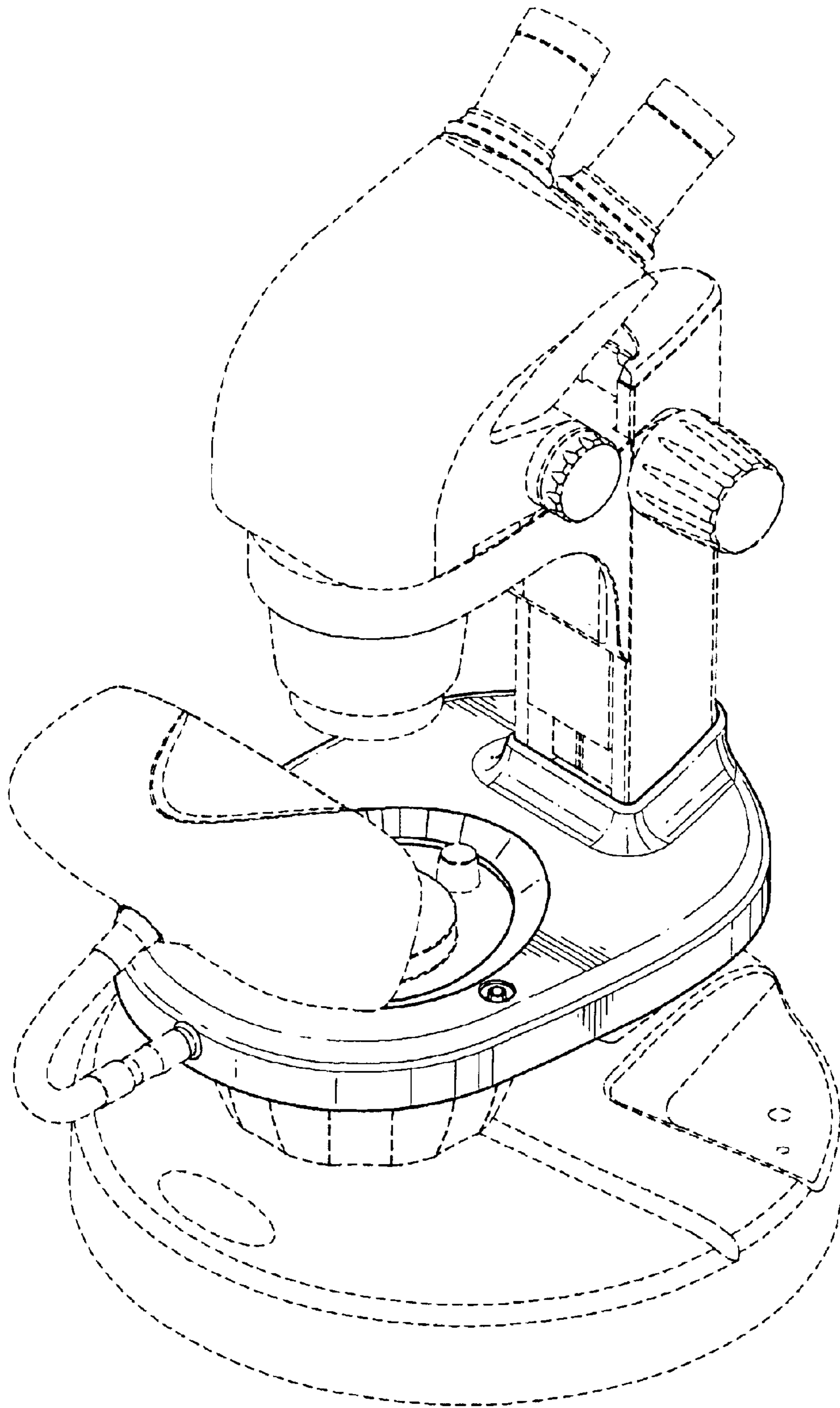


FIG. 1

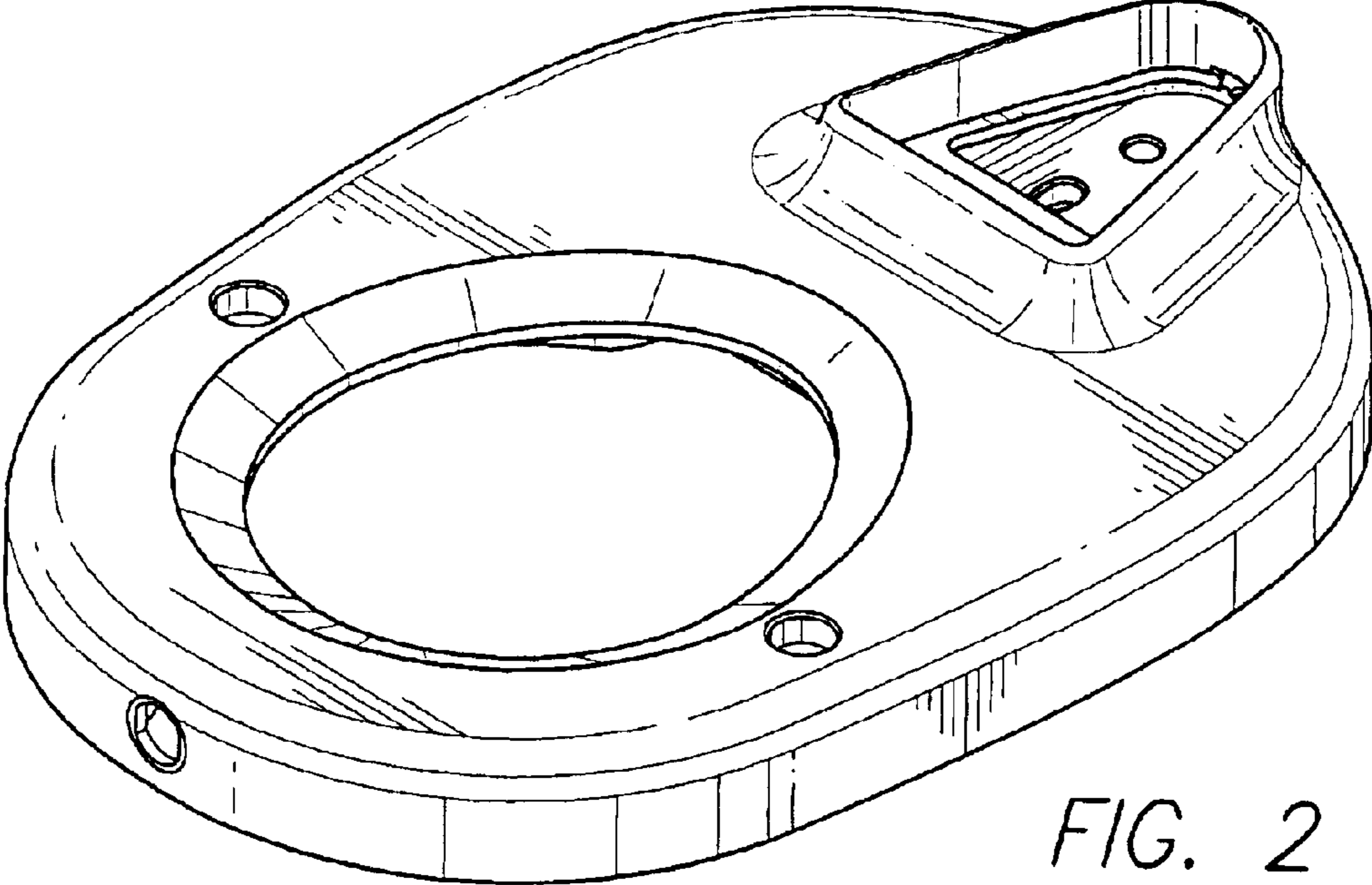


FIG. 2

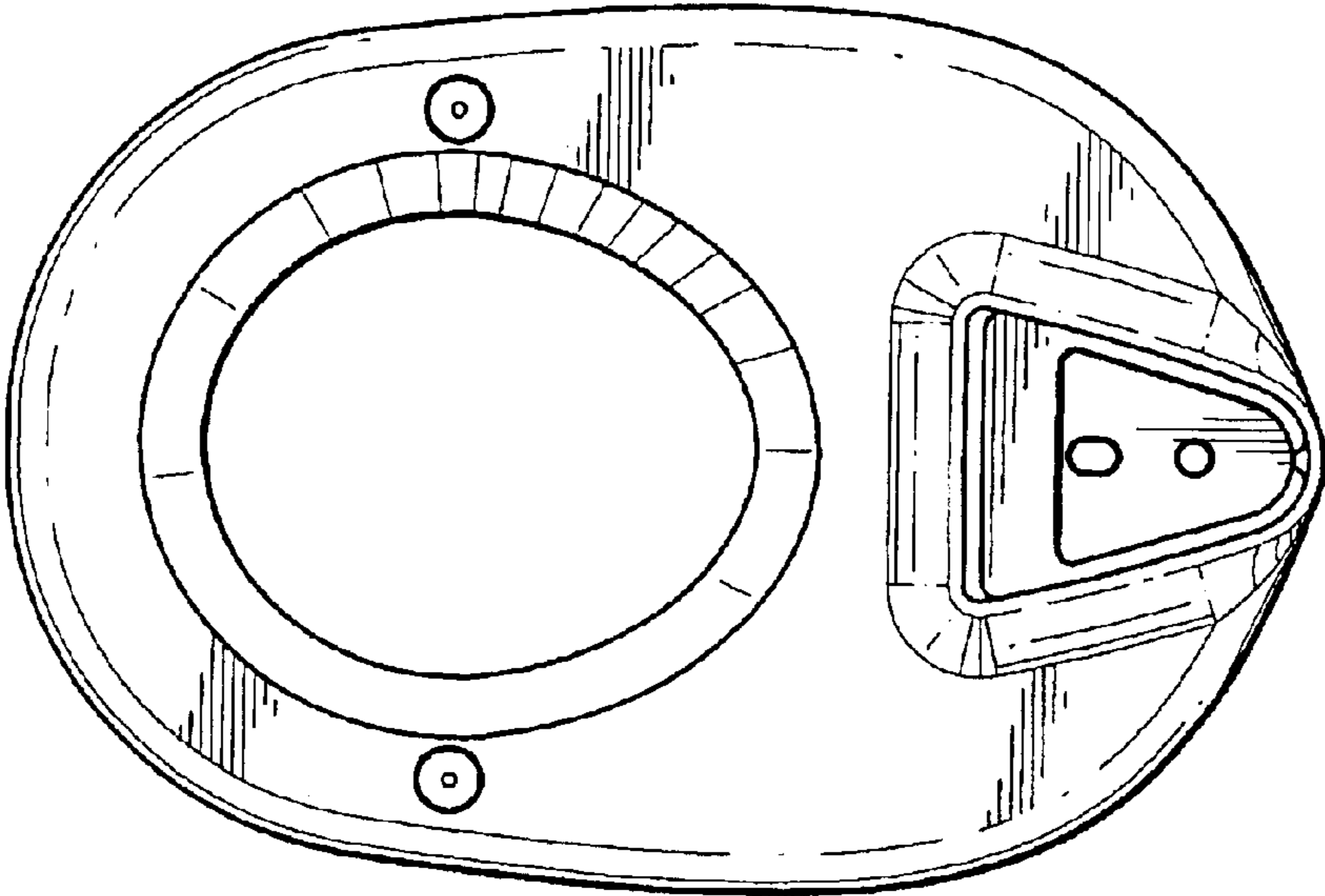


FIG. 3

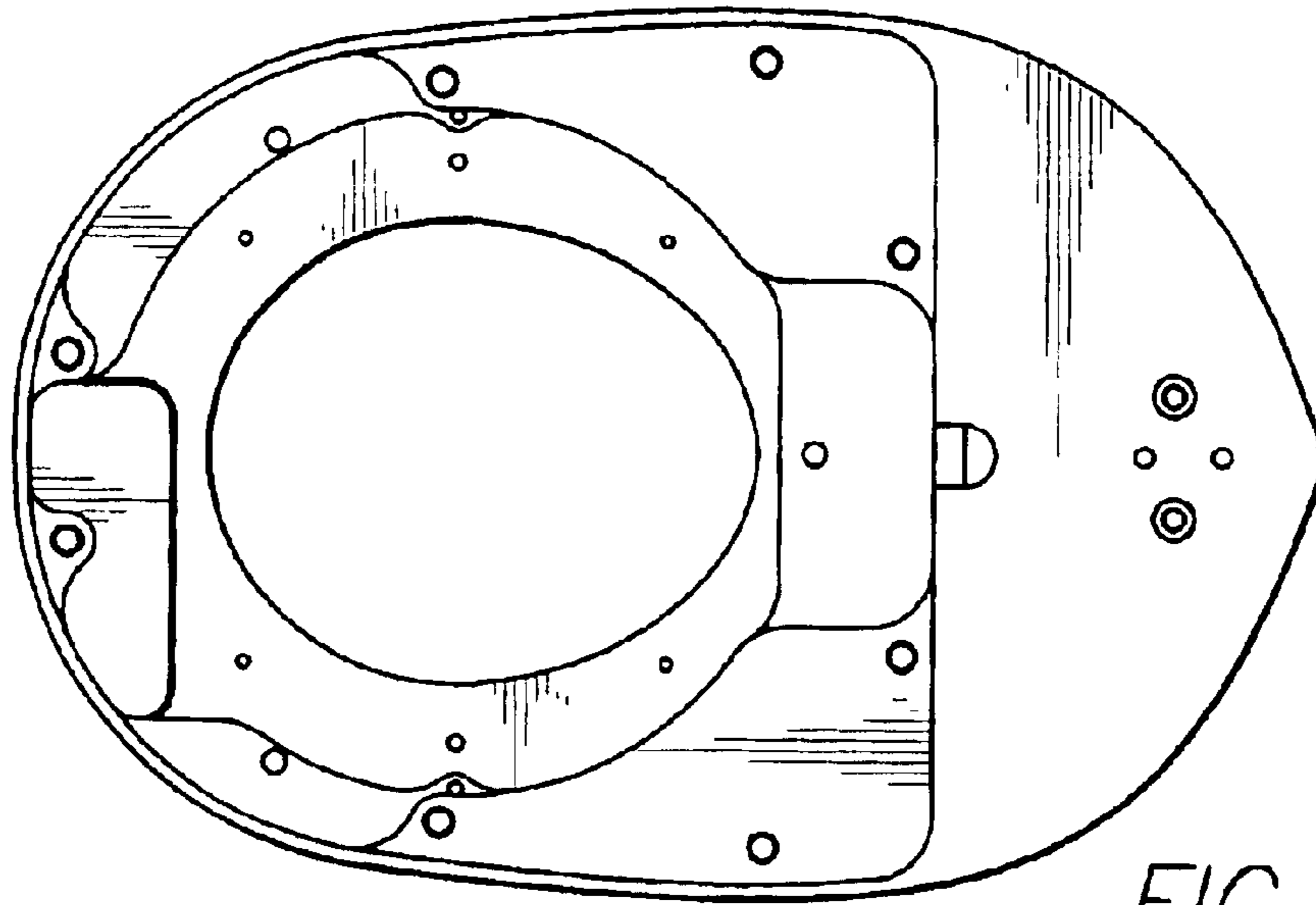


FIG. 4

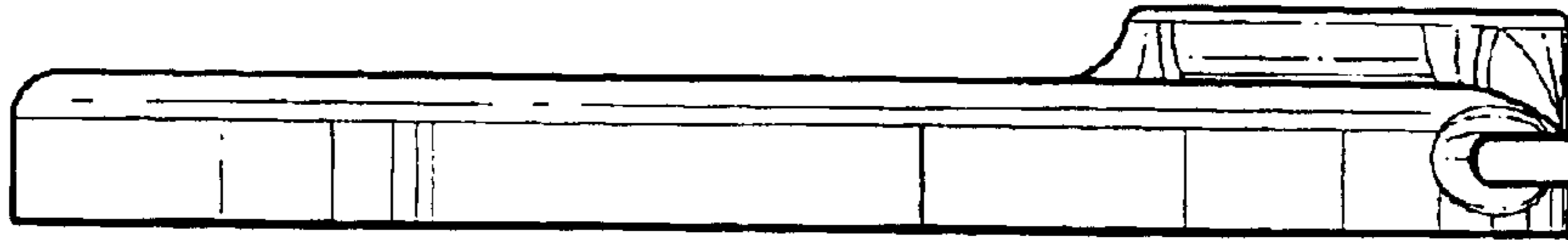


FIG. 5

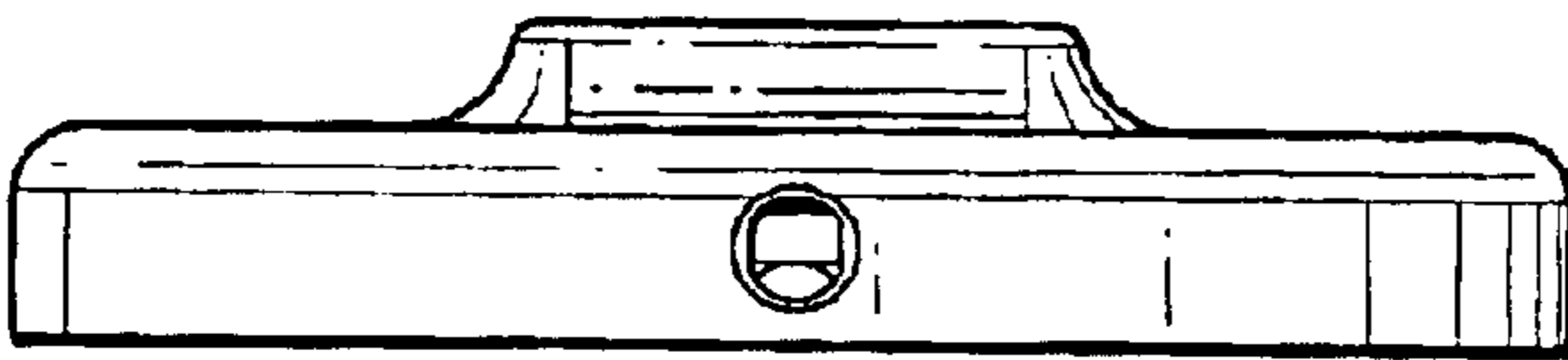


FIG. 6

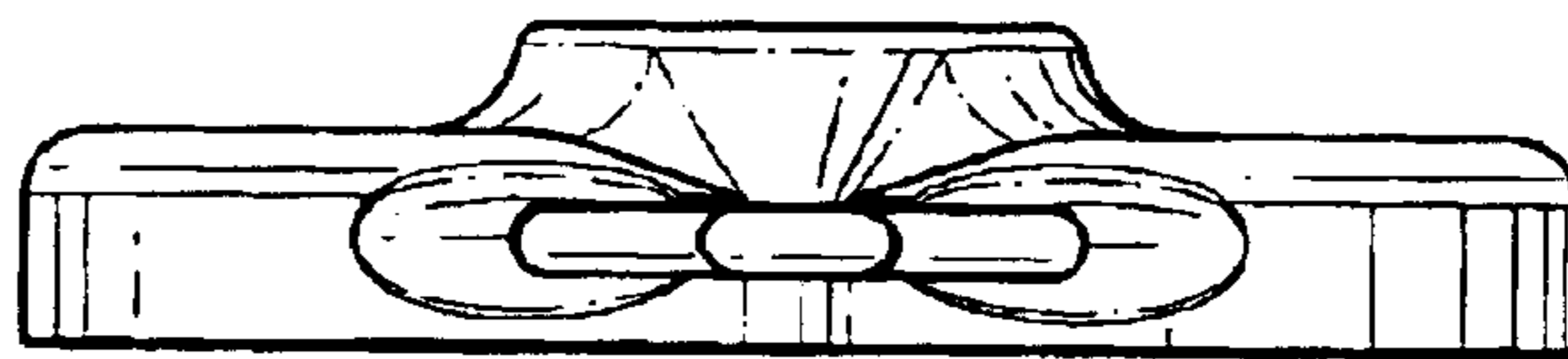


FIG. 7