



US00D497171S1

(12) **United States Design Patent**
Okugawa

(10) **Patent No.:** **US D497,171 S**
(45) **Date of Patent:** **** Oct. 12, 2004**

(54) **ELECTROSTATIC CHUCK**
(75) **Inventor:** **Keisuke Okugawa, Aichi (JP)**
(73) **Assignee:** **NGK Spark Plug Co., Ltd., Aichi (JP)**
(**) **Term:** **14 Years**

5,671,116 A * 9/1997 Husain 361/234
5,838,528 A * 11/1998 Os et al. 361/234
D420,022 S * 2/2000 Burkhart et al. D15/140
D425,919 S * 5/2000 Burkhart et al. D15/140
6,268,994 B1 * 7/2001 Logan et al. 361/234
6,639,783 B1 * 10/2003 Shamouilian et al. 361/234

* cited by examiner

(21) **Appl. No.:** **29/183,947**
(22) **Filed:** **Jun. 20, 2003**
(30) **Foreign Application Priority Data**

Dec. 20, 2002 (JP) 2002-035565

(51) **LOC (7) Cl.** **15-09**
(52) **U.S. Cl.** **D15/140**
(58) **Field of Search** D15/140; 361/230,
361/233, 234, 235; 279/128; D13/199;
269/8, 903

Primary Examiner—Lucy Lieberman
(74) *Attorney, Agent, or Firm*—Sughrue Mion, PLLC

(57) **CLAIM**

The ornamental design for an electrostatic chuck, as shown and described.

(56) **References Cited**

U.S. PATENT DOCUMENTS

4,518,889 A * 5/1985 'T Hoen 310/357
4,692,836 A * 9/1987 Suzuki 361/234
5,474,614 A * 12/1995 Robbins 118/728
5,535,090 A * 7/1996 Sherman 361/234
5,572,398 A * 11/1996 Federlin et al. 361/234

DESCRIPTION

FIG. 1 is a perspective view of the top, front and right side of an electrostatic chuck showing my new design;
FIG. 2 is a front elevational view thereof, the rear elevational view being a mirror image thereof;
FIG. 3 is a right side elevational view thereof;
FIG. 4 is a left side elevational view thereof;
FIG. 5 is a top plan view thereof;
FIG. 6 is a bottom plan view thereof; and,
FIG. 7 is a sectional view taken along the line 7—7 in FIG. 5.

1 Claim, 3 Drawing Sheets

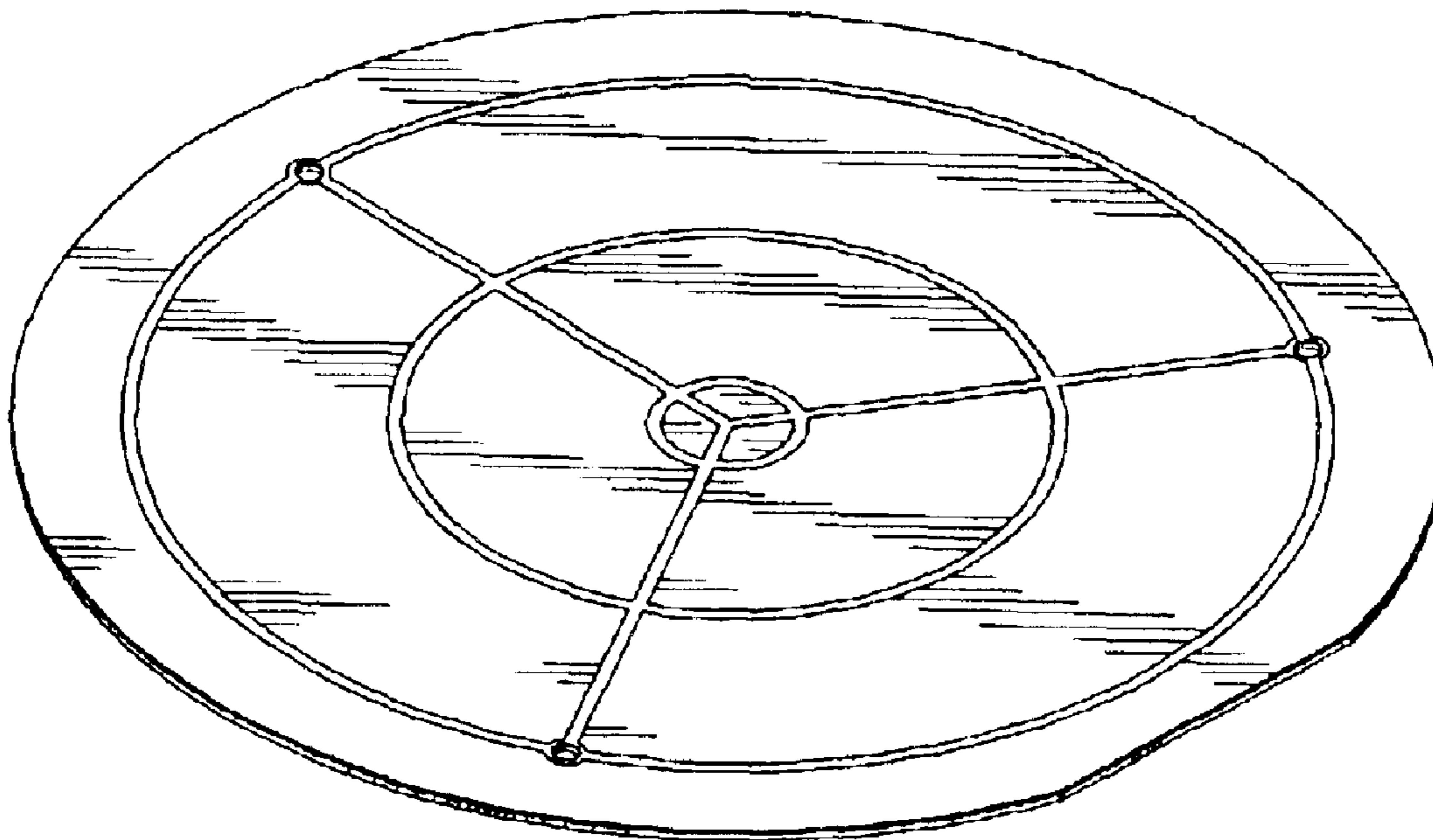


FIG. 1

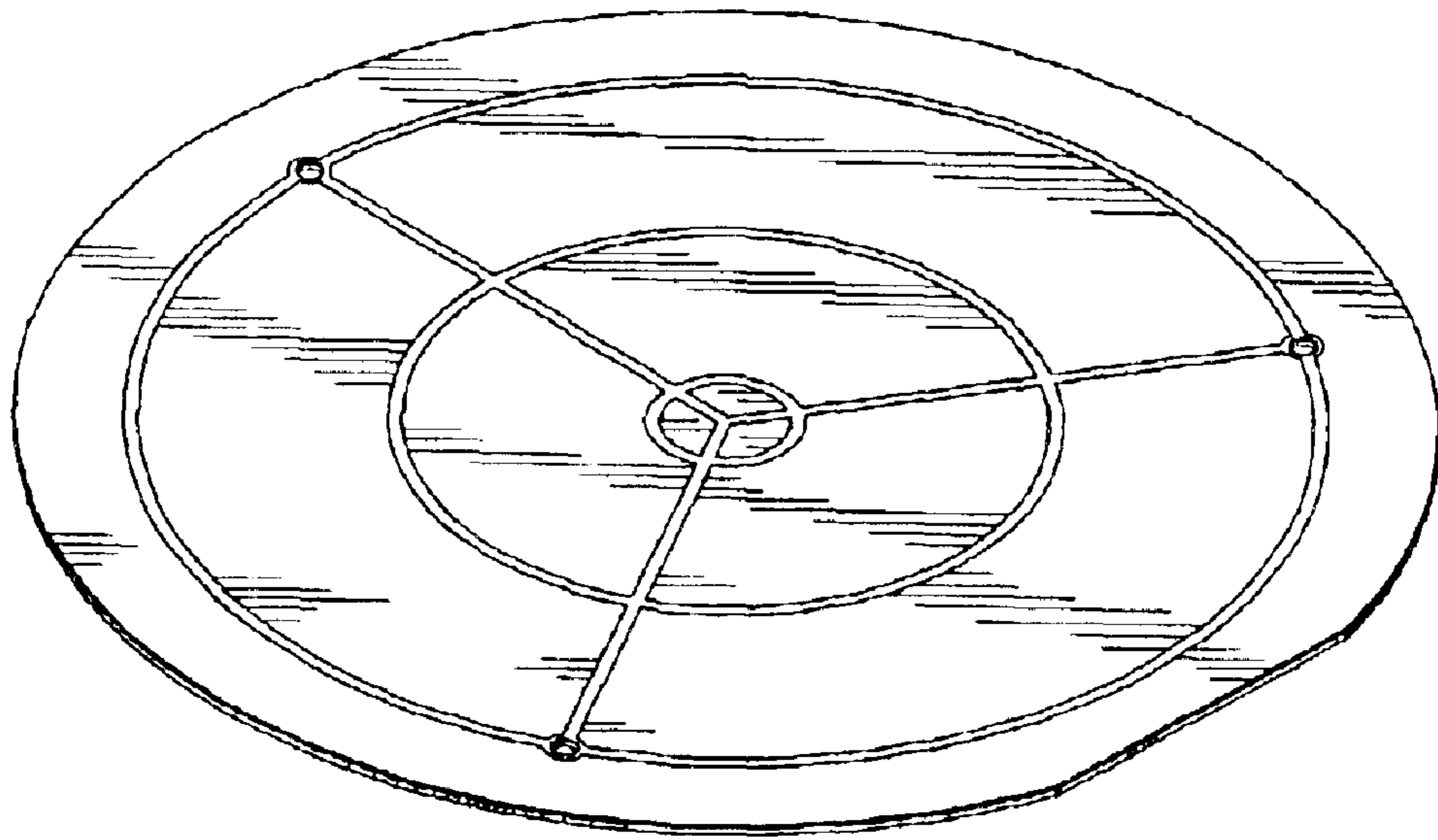


FIG. 2

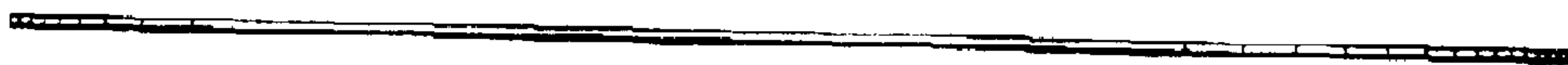


FIG.3

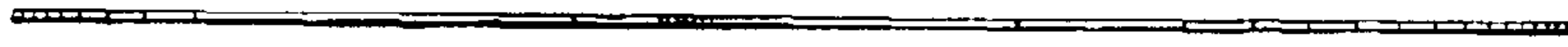


FIG.4



FIG.5

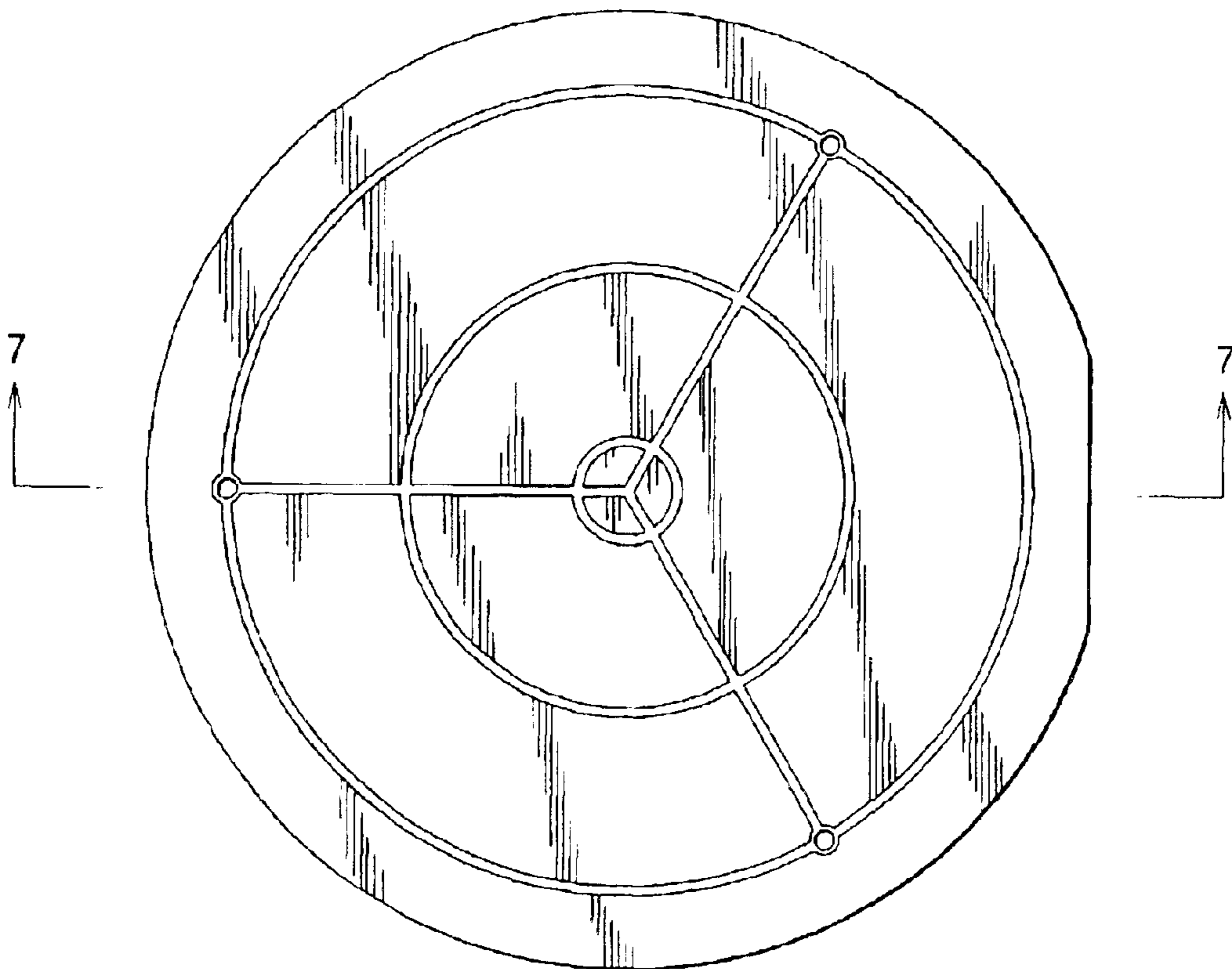


FIG.6

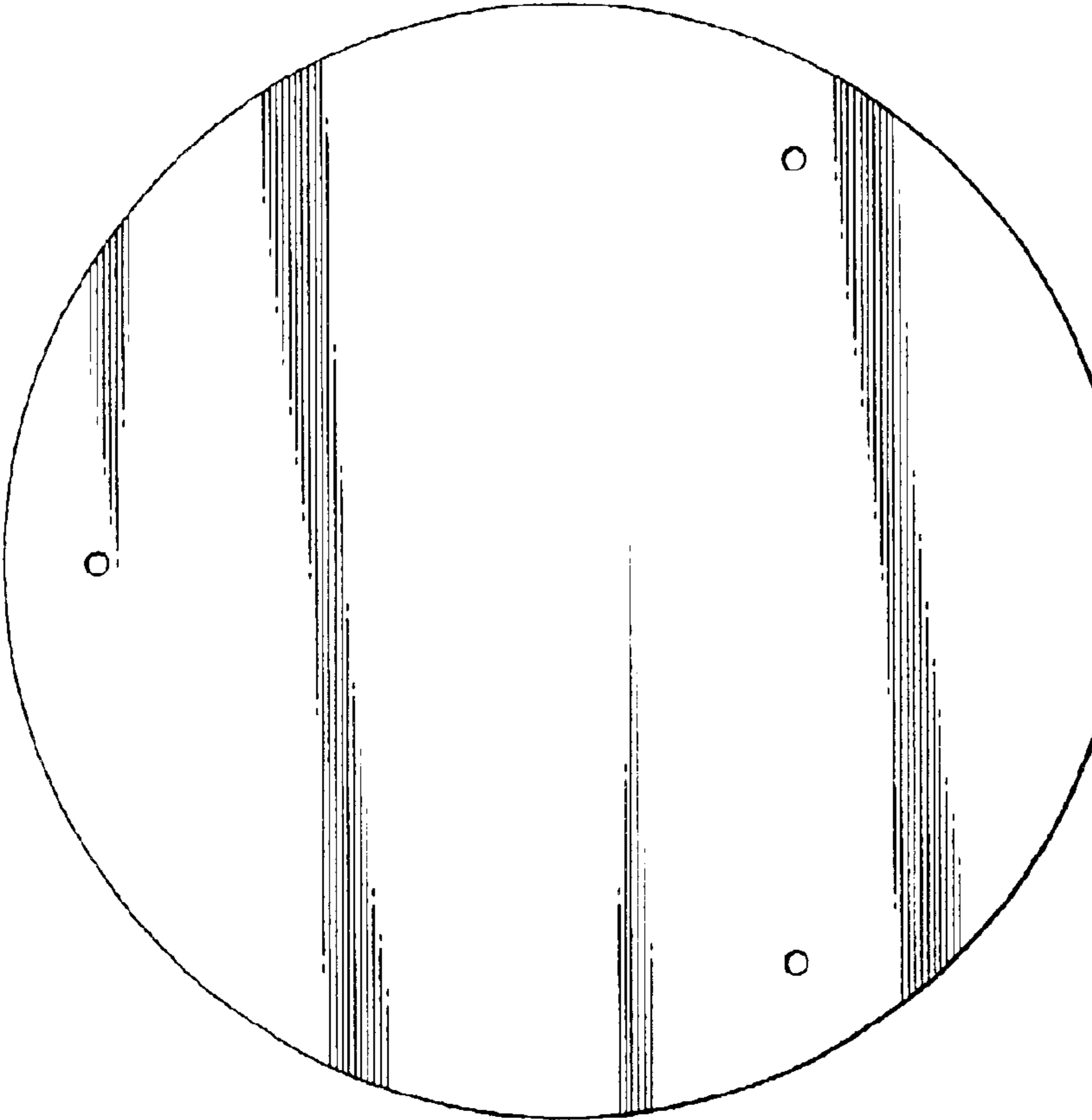


FIG.7

