

US00D497170S1

(12) **United States Design Patent**
Egami et al.

(10) **Patent No.:** **US D497,170 S**
(45) **Date of Patent:** **** Oct. 12, 2004**

(54) **THREAD CASSETTE FOR SEWING MACHINE**

4,761,052 A * 8/1988 Buekers et al. 385/135
4,808,234 A * 2/1989 McKay et al. 134/21
5,319,732 A * 6/1994 Jones 385/135

(75) Inventors: **Keiichiro Egami**, Nagoya (JP); **Kaoru Sakakibara**, Nagoya (JP); **Hiroaki Fukao**, Kasugai (JP); **Masayuki Hori**, Gifu (JP)

* cited by examiner

Primary Examiner—Mitchell Siegel
(74) *Attorney, Agent, or Firm*—Oliff & Berridge, PLC

(73) Assignee: **Brother Industries, Ltd.**, Nagoya (JP)

(57) **CLAIM**

(**) Term: **14 Years**

The ornamental design for a thread cassette for sewing machine, as shown and described.

(21) Appl. No.: **29/178,322**

DESCRIPTION

(22) Filed: **Mar. 26, 2003**

(30) **Foreign Application Priority Data**

Oct. 30, 2002 (JP) 2002-029880

(51) **LOC (7) Cl.** **15-06**

(52) **U.S. Cl.** **D15/78**

(58) **Field of Search** D15/66-78; 174/69;
385/135; 134/21; 112/63, 258-261, 217.1-217.4

FIG. 1 is a front view of a thread cassette for sewing machine;
FIG. 2 is a right-side view thereof;
FIG. 3 is a left-side view thereof;
FIG. 4 is a bottom view thereof;
FIG. 5 is a right perspective view thereof; and,
FIG. 6 is a left perspective view thereof.

The top and rear views only contain ornamentality and are omitted.

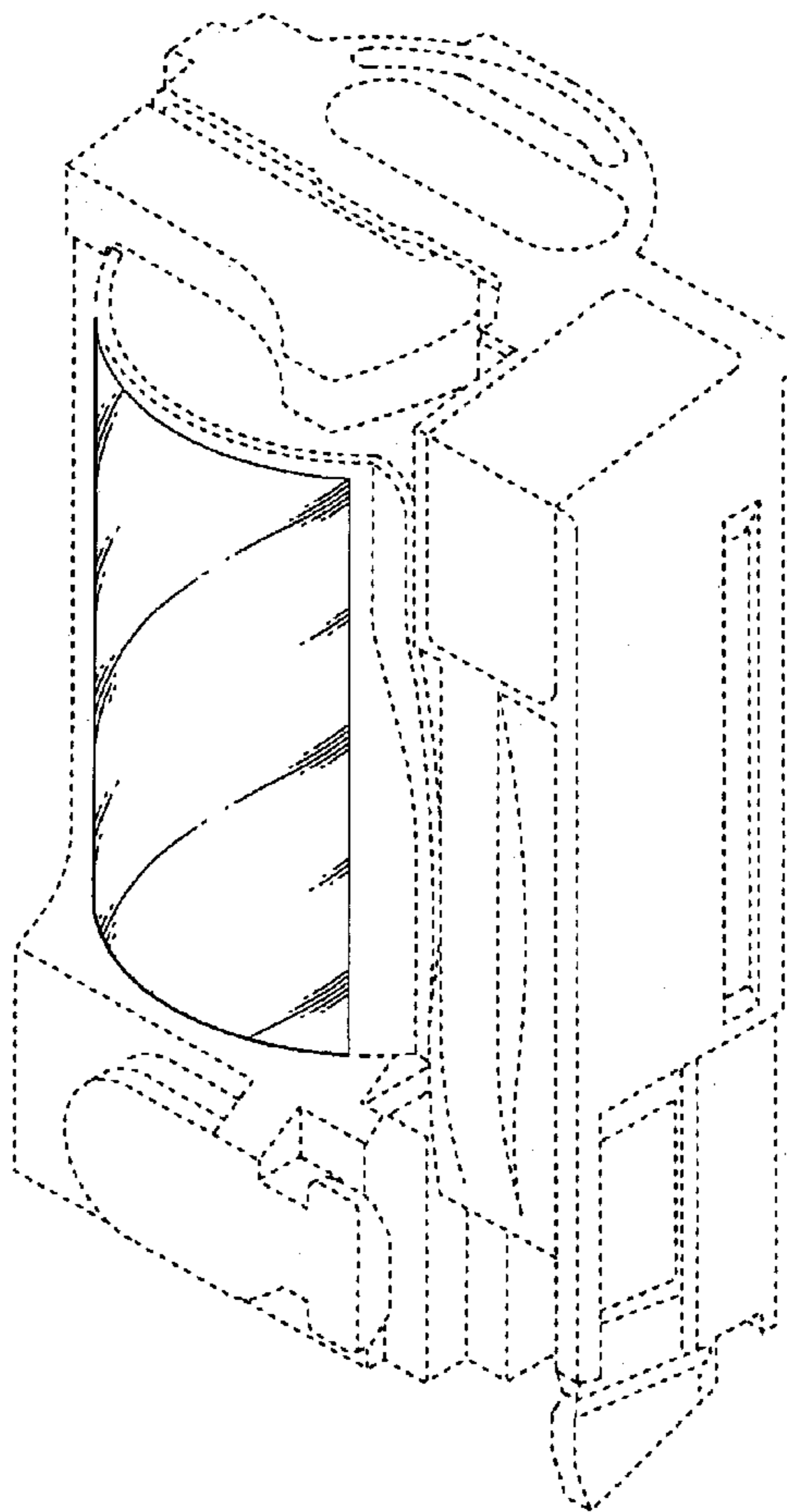
The broken line defines the bounds of the claimed design but does not form part of the claimed design.

(56) **References Cited**

U.S. PATENT DOCUMENTS

3,042,742 A * 7/1962 Foster 174/69

1 Claim, 4 Drawing Sheets



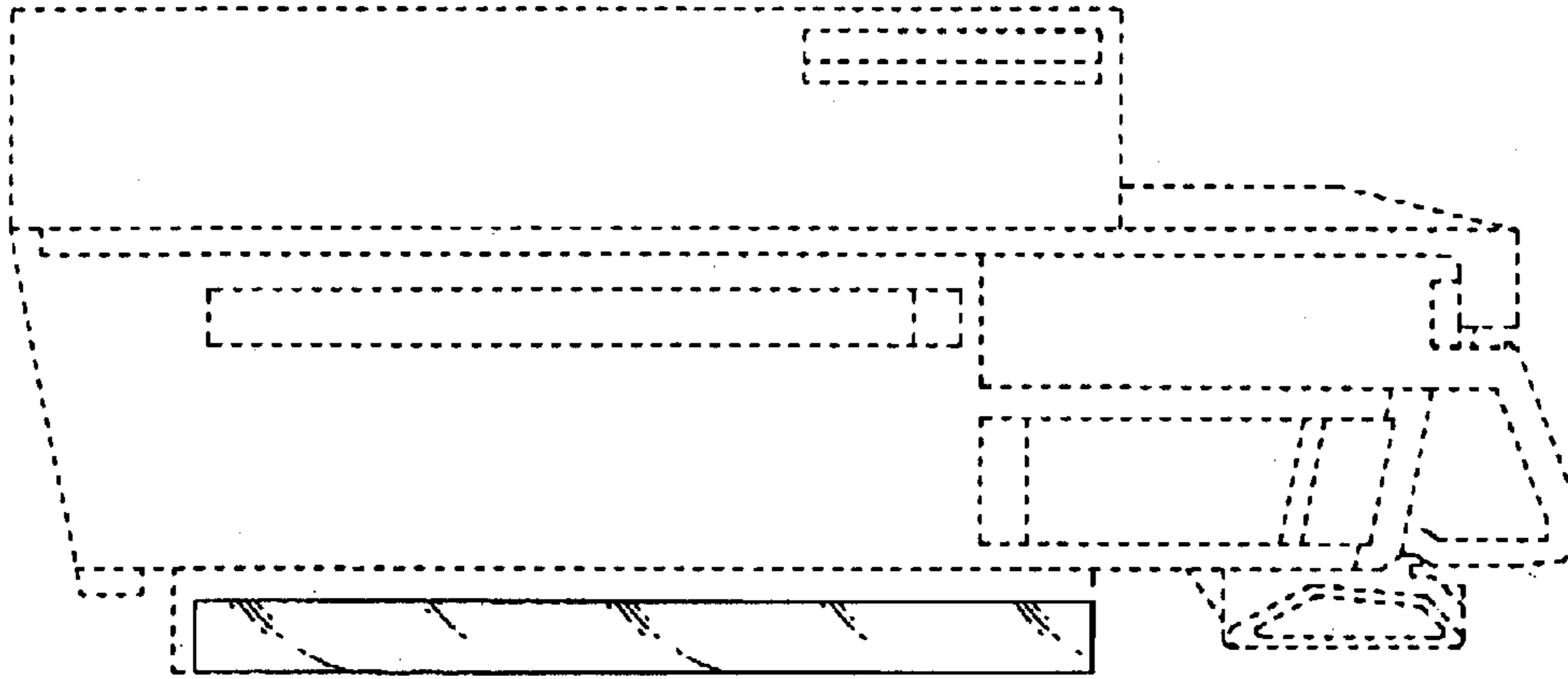


Fig. 2

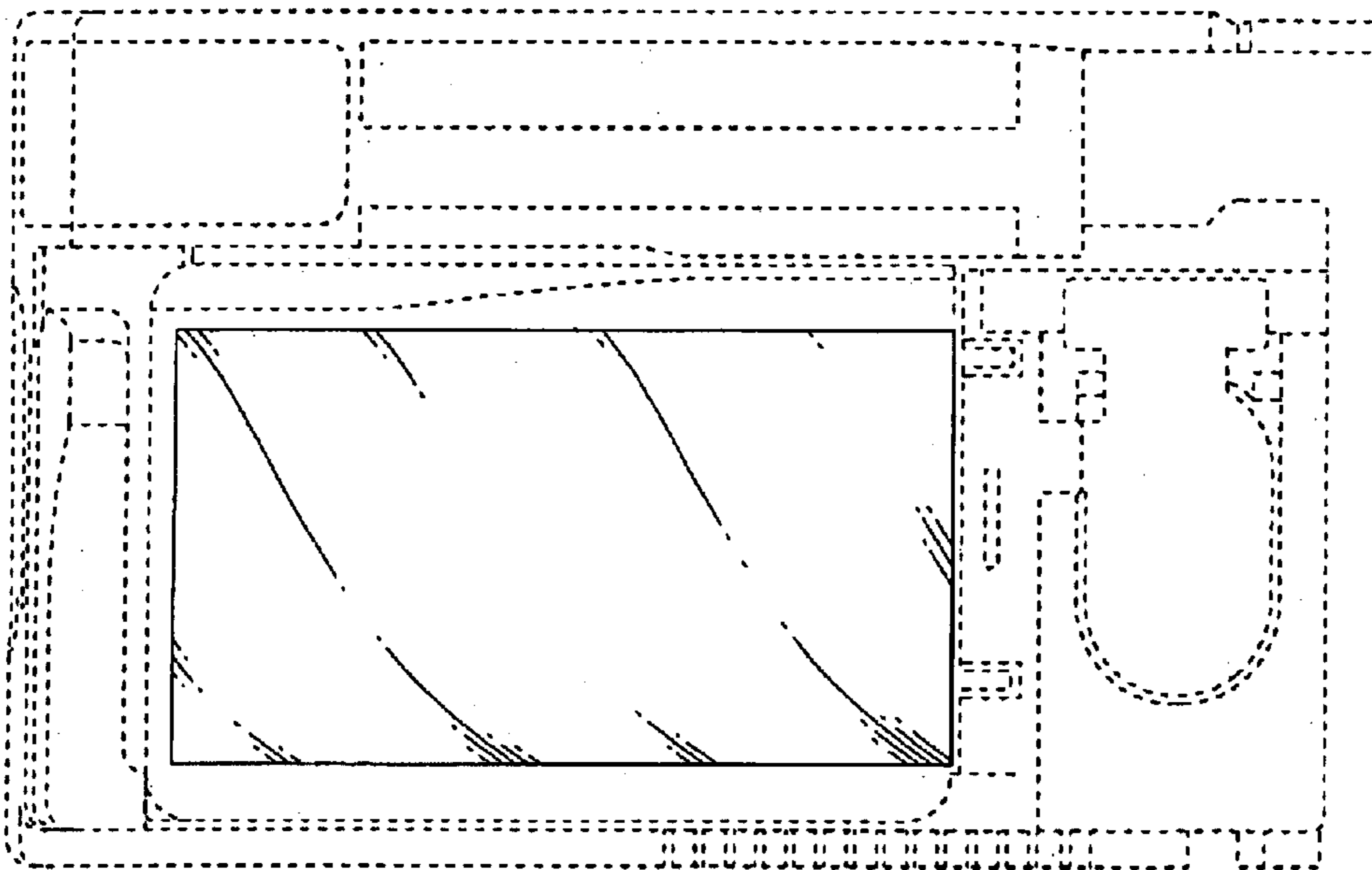


Fig. 1

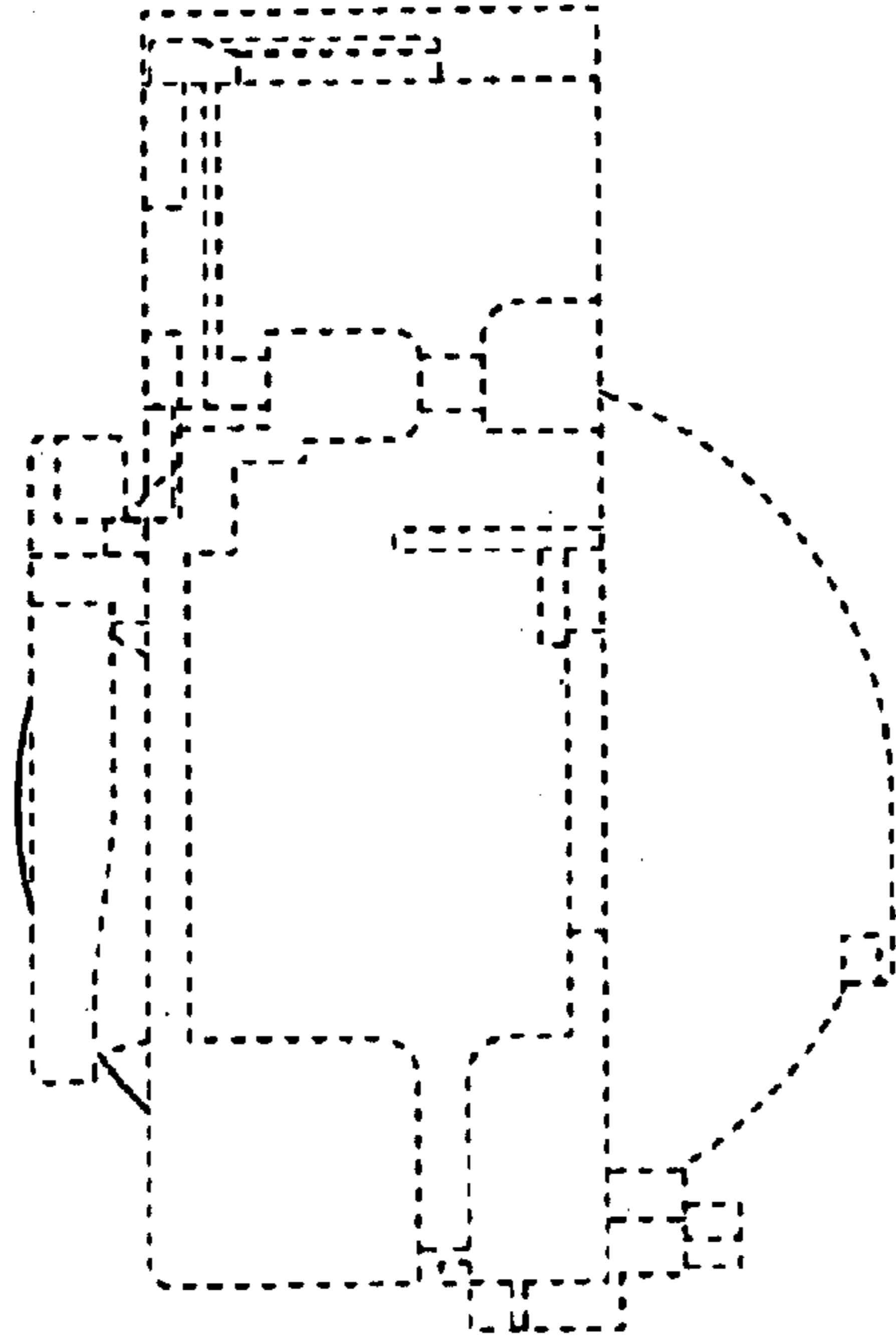


Fig. 4

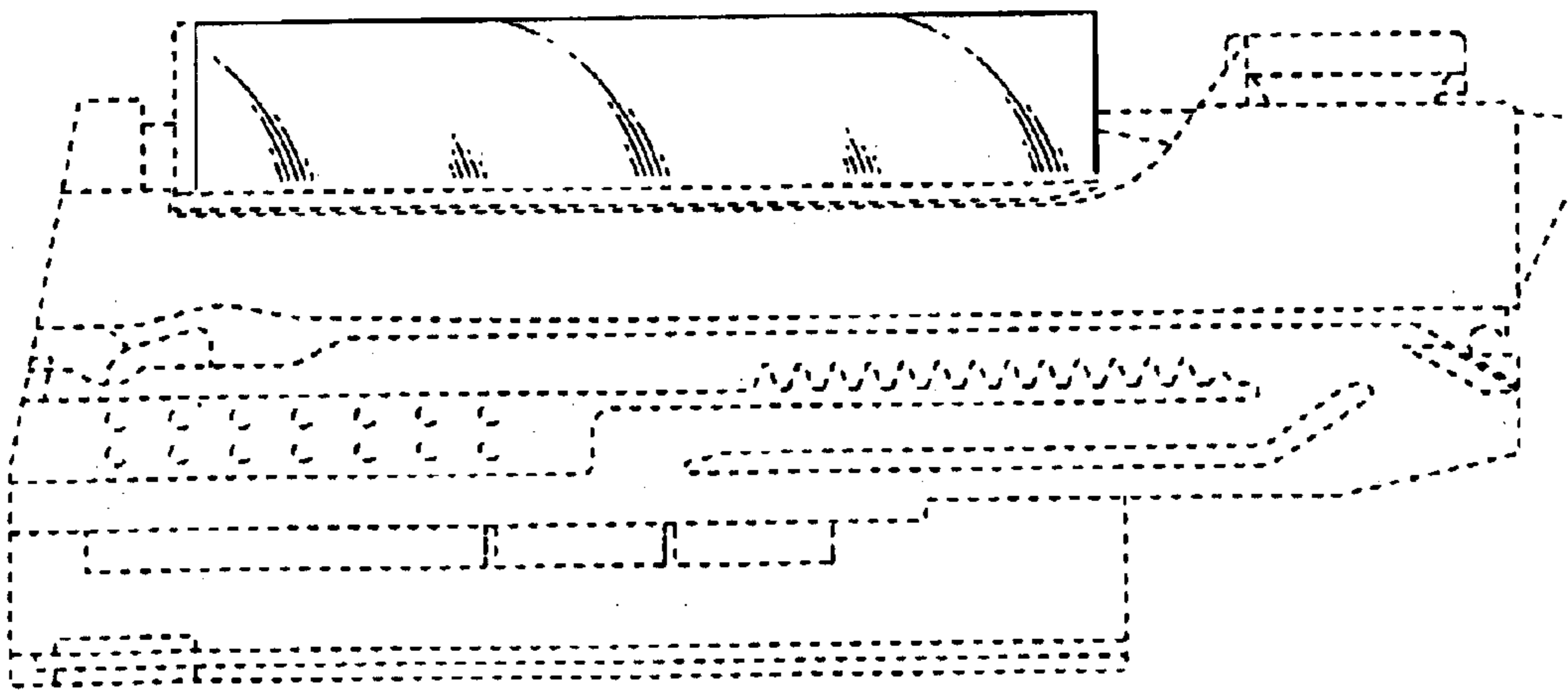


Fig. 3

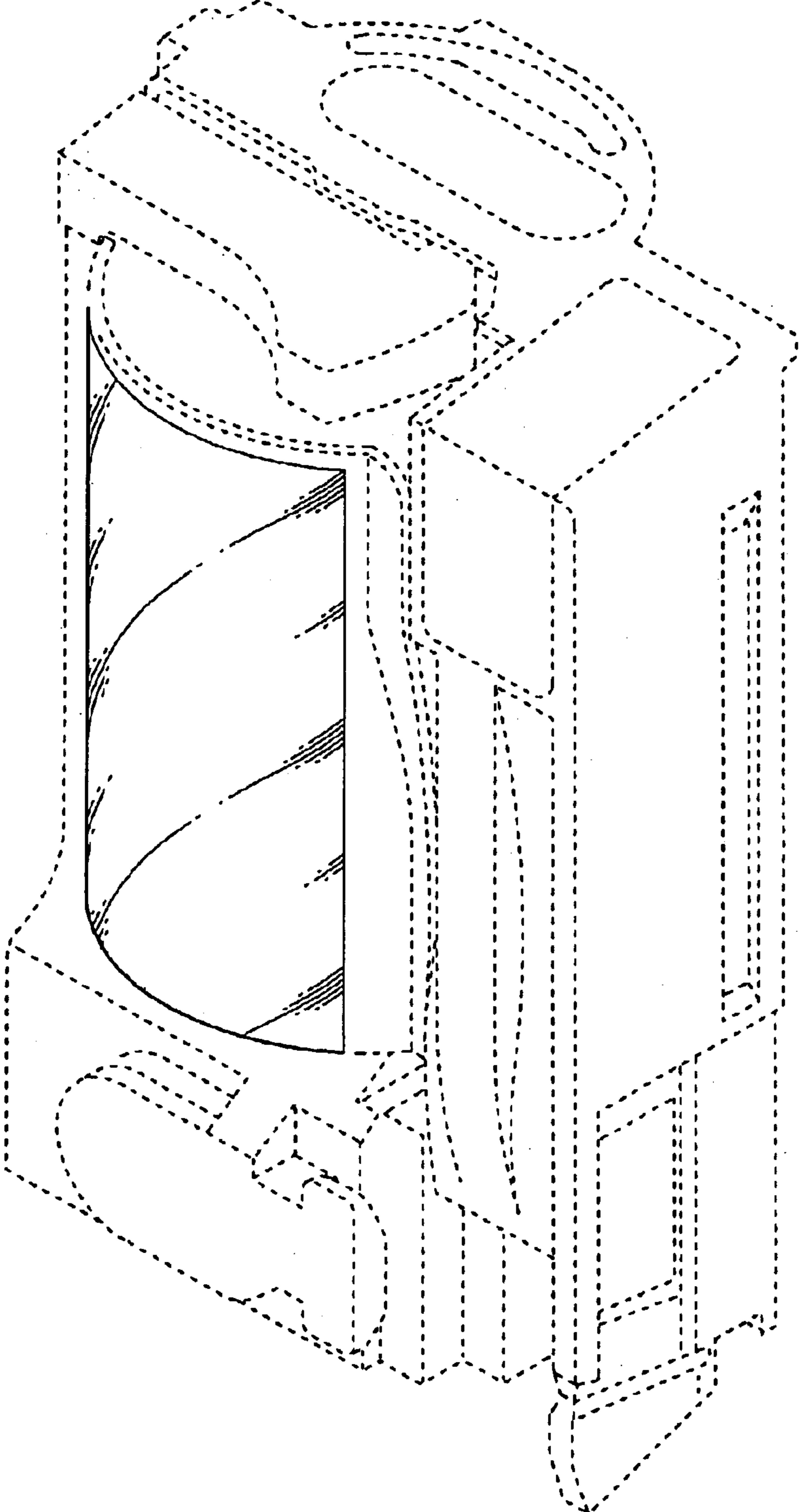


Fig. 5

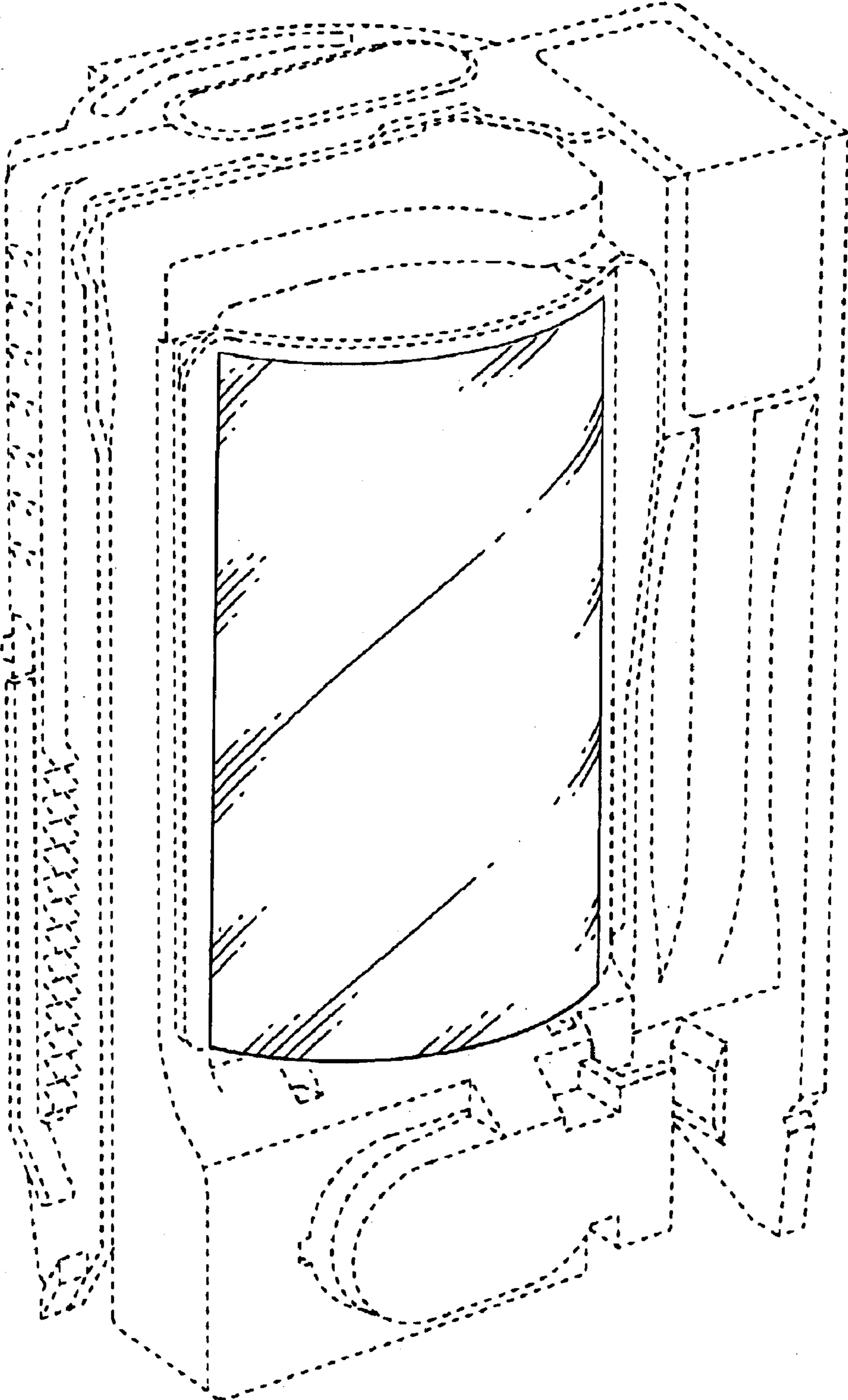


Fig. 6