

US00D497161S1

(12) **United States Design Patent**  
**Chien**

(10) **Patent No.:** **US D497,161 S**  
(45) **Date of Patent:** **\*\* Oct. 12, 2004**

(54) **PORTABLE ELECTRONIC DEVICE**

D461,185 S \* 8/2002 Ando ..... D14/341  
D479,234 S \* 9/2003 Tanaka et al. .... D14/346  
D479,527 S \* 9/2003 Eigenstetter et al. .... D14/346

(75) Inventor: **Chih-Ling Chien**, Taipei (TW)

\* cited by examiner

(73) Assignee: **High Tech Computer, Corp.**, Taoyuan (TW)

*Primary Examiner*—Freda S. Nunn

(\*\*) Term: **14 Years**

(74) *Attorney, Agent, or Firm*—Birch, Stewart, Kolasch & Birch, LLP

(21) Appl. No.: **29/198,201**

(57) **CLAIM**

(22) Filed: **Jan. 28, 2004**

The ornamental design for a portable electronic device, as shown.

(51) **LOC (7) Cl.** ..... **14-02**

(52) **U.S. Cl.** ..... **D14/346**

(58) **Field of Search** ..... D14/341–346;  
D18/1, 2, 7; 235/145 A, 145 R; 341/22,  
23; 345/156, 168, 169, 172, 173, 87; 349/12;  
361/680–686

**DESCRIPTION**

FIG. 1 is a front perspective view showing a portable electronic device in accordance with my design;  
FIG. 2 is a front side view thereof;  
FIG. 3 is a rear side view thereof;  
FIG. 4 is a left side view thereof;  
FIG. 5 is a right side view thereof;  
FIG. 6 is a top plane view thereof; and,  
FIG. 7 is a bottom plane view thereof.

(56) **References Cited**

**U.S. PATENT DOCUMENTS**

D442,583 S \* 5/2001 Ohta et al. .... D14/346  
D457,883 S \* 5/2002 Sugioka et al. .... D14/342  
D460,448 S \* 7/2002 Matsumoto ..... D14/346

**1 Claim, 4 Drawing Sheets**



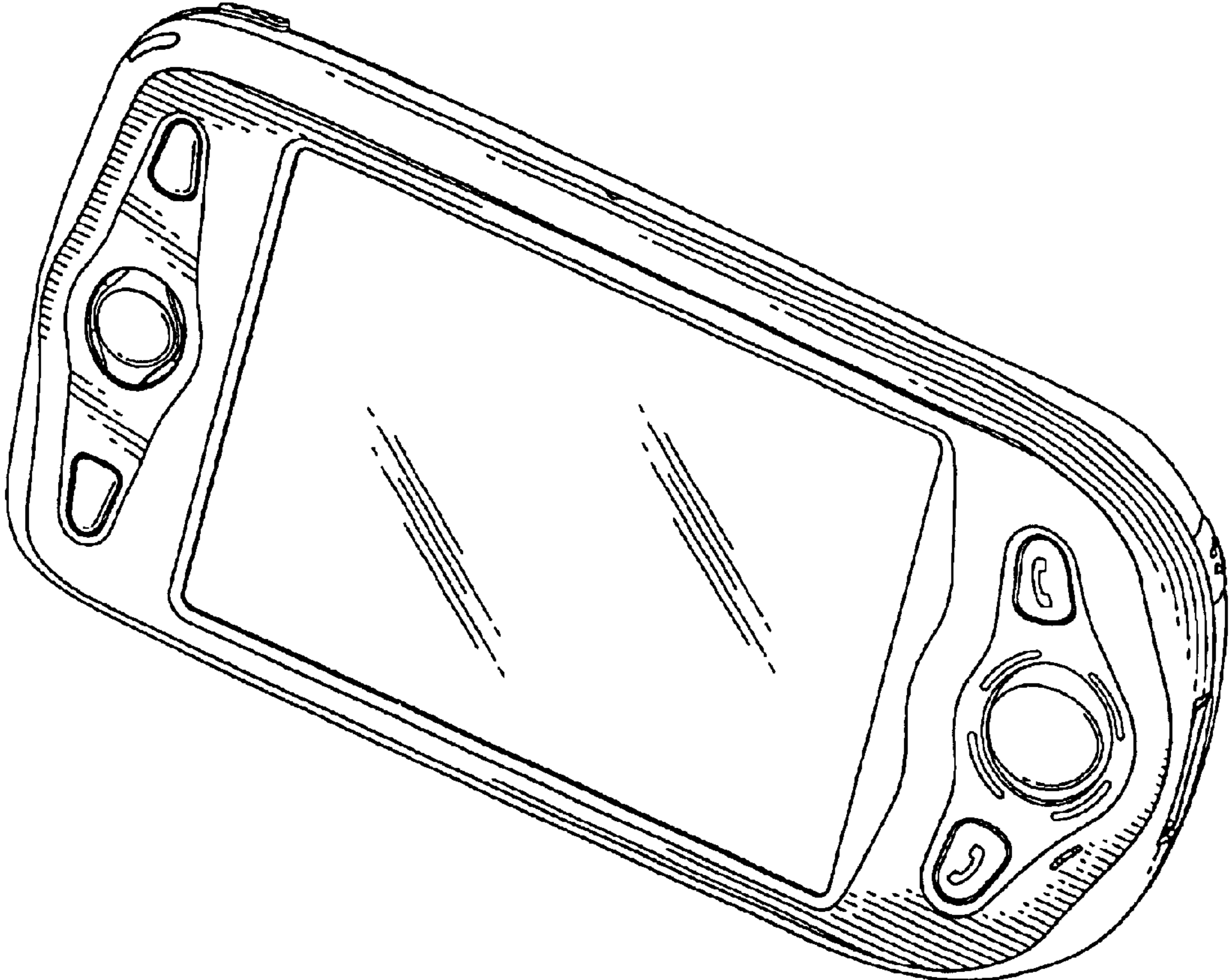


FIG. 1

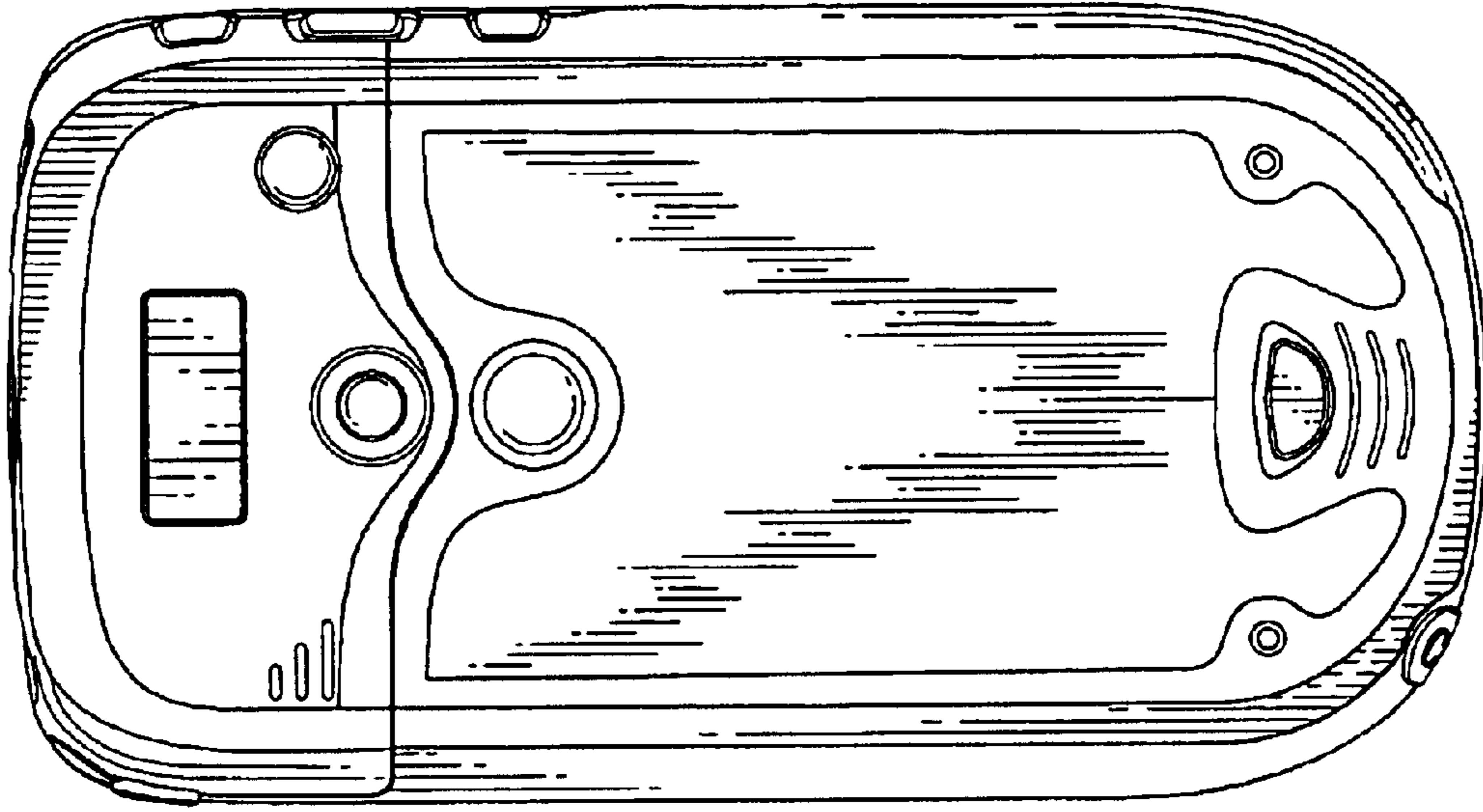


FIG. 2

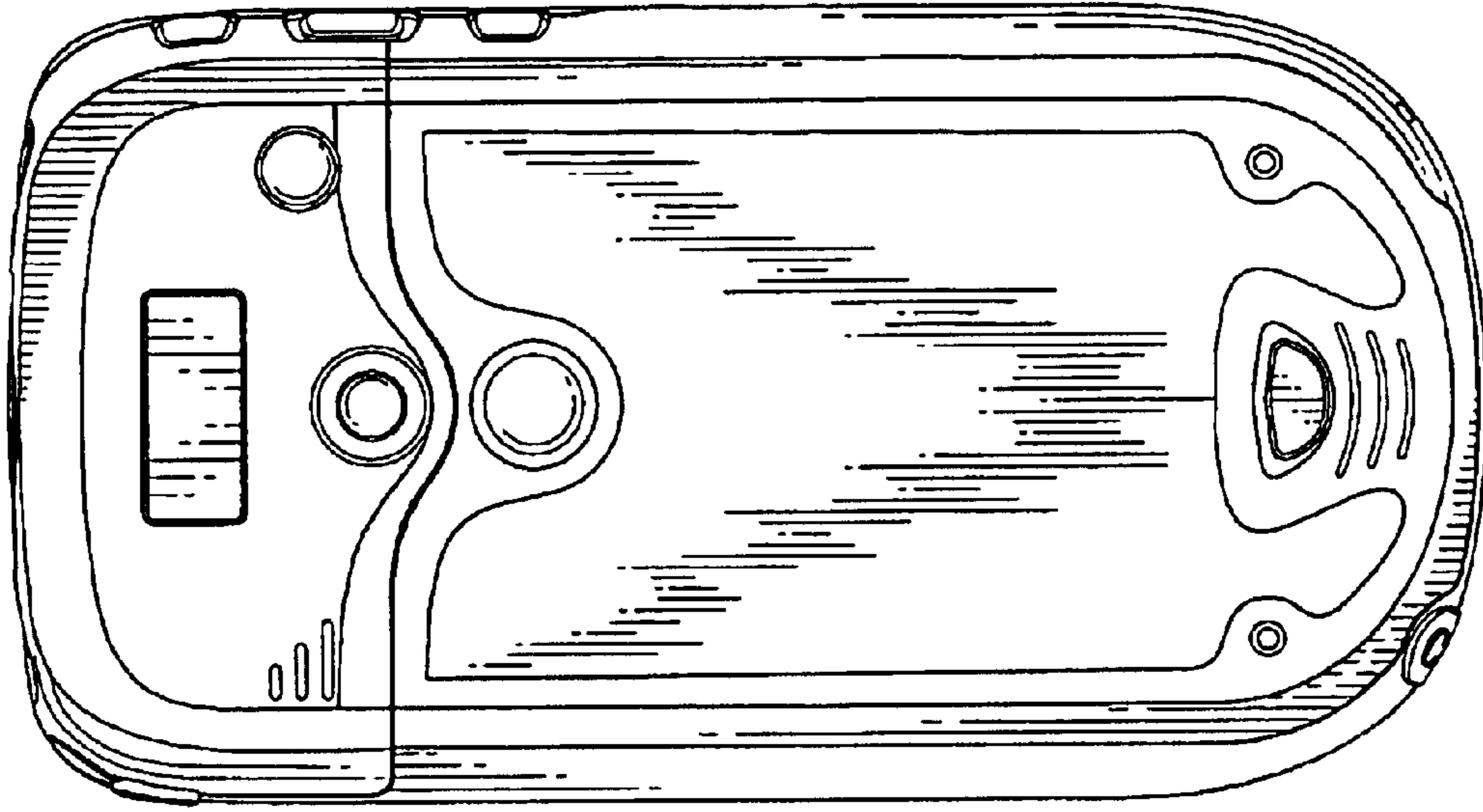


FIG. 3

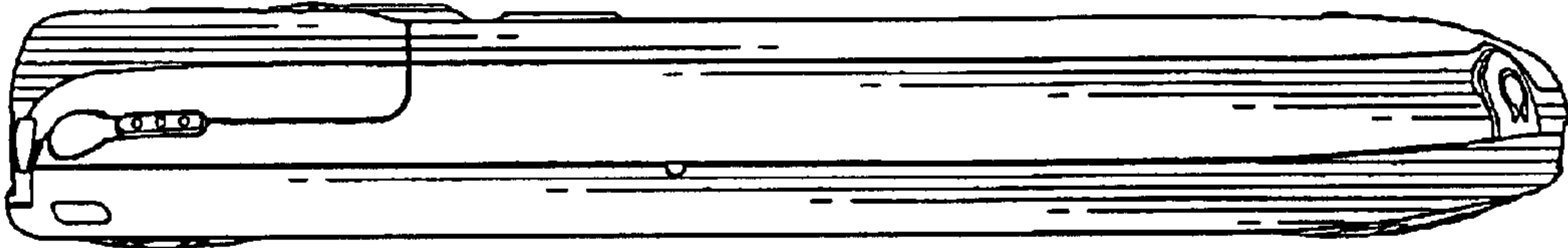


FIG. 5

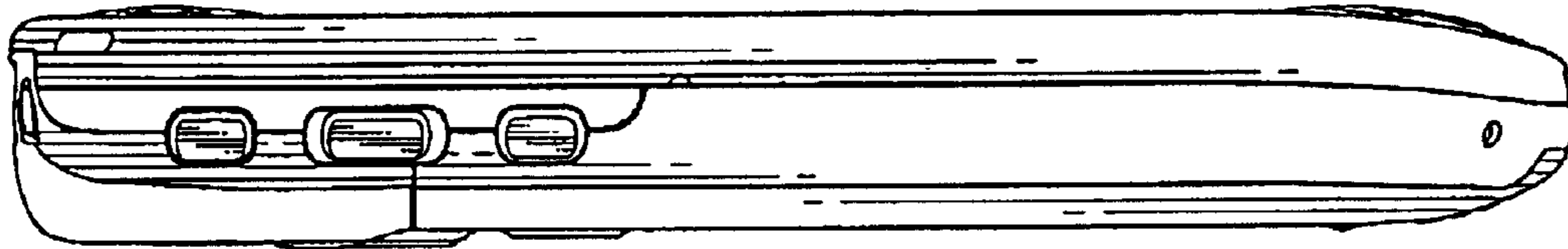


FIG. 4

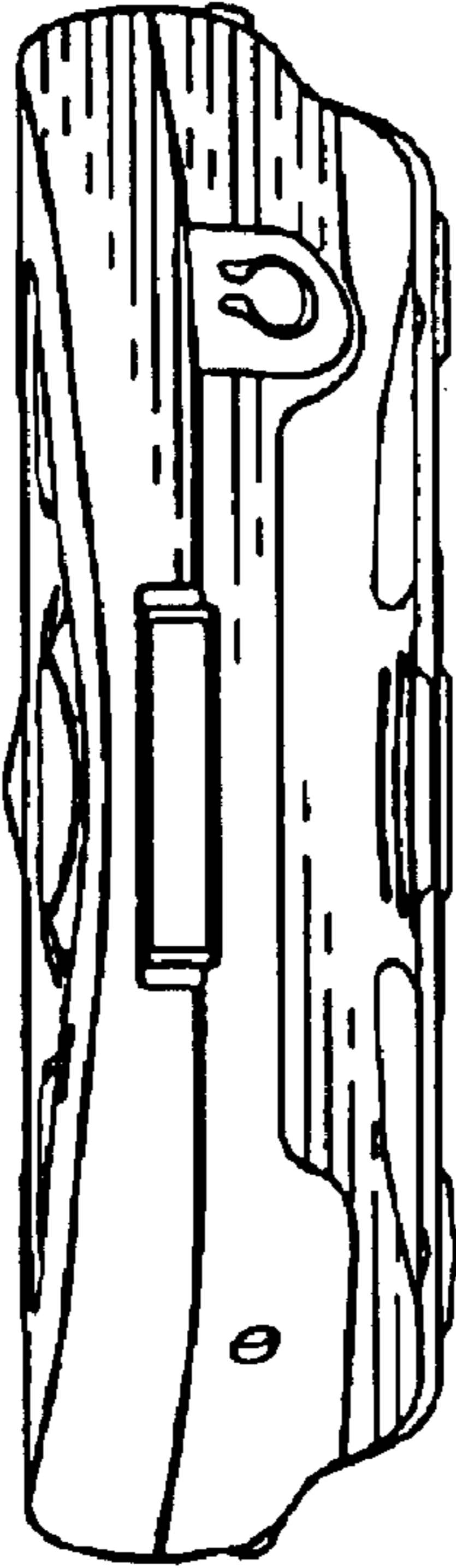


FIG. 6

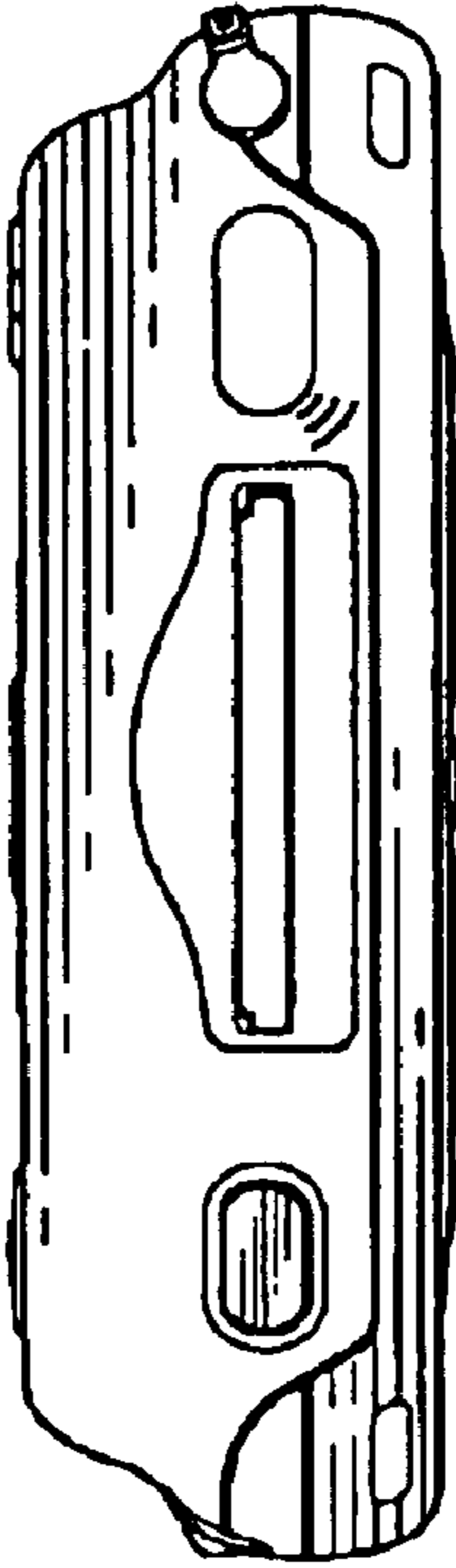


FIG. 7