

US00D497156S1

(12) **United States Design Patent**  
**Bauman et al.**

(10) **Patent No.: US D497,156 S**  
(45) **Date of Patent: \*\* Oct. 12, 2004**

(54) **MICROPHONE ARM**

(75) Inventors: **Stuart P. Bauman**, Skokie, IL (US);  
**Gary Sabick**, Schaumburg, IL (US);  
**Thomas Raiff**, Neu-Ulm (DE)

(73) Assignee: **Shure Incorporated**, Niles, IL (US)

(\*\*) Term: **14 Years**

(21) Appl. No.: **29/177,361**

(22) Filed: **Mar. 7, 2003**

(51) **LOC (7) Cl.** ..... **14-01**

(52) **U.S. Cl.** ..... **D14/225**

(58) **Field of Search** ..... D14/205, 206,  
D14/223, 224, 225, 226, 227, 228, 229;  
181/158, 196, 242; 379/430, 431, 444;  
381/91, 122, 169, 170

(56) **References Cited**

**U.S. PATENT DOCUMENTS**

D368,719 S \* 4/1996 Luther ..... D14/228  
D375,749 S \* 11/1996 Chiang ..... D14/227  
D387,770 S \* 12/1997 Liao ..... D14/227

D395,894 S \* 7/1998 Hern et al. .... D14/227  
D396,715 S \* 8/1998 Konomi ..... D14/142  
D449,040 S \* 10/2001 Weikel et al. .... D14/227  
D464,040 S \* 10/2002 Beraut et al. .... D14/225

\* cited by examiner

*Primary Examiner*—Paula A. Greene

(74) *Attorney, Agent, or Firm*—Banner & Witcoff, Ltd.

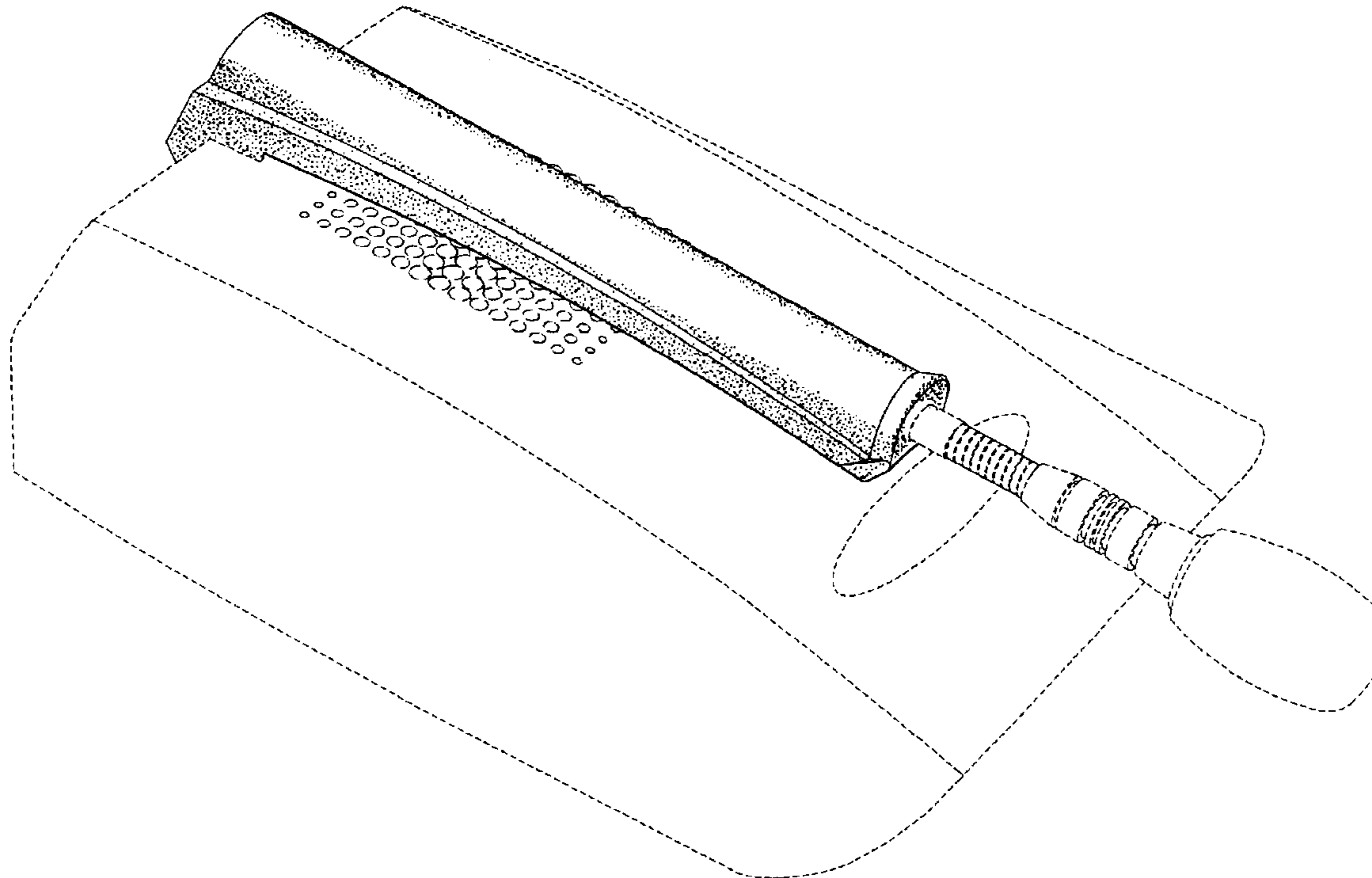
(57) **CLAIM**

An ornamental design for a microphone arm, as shown and described.

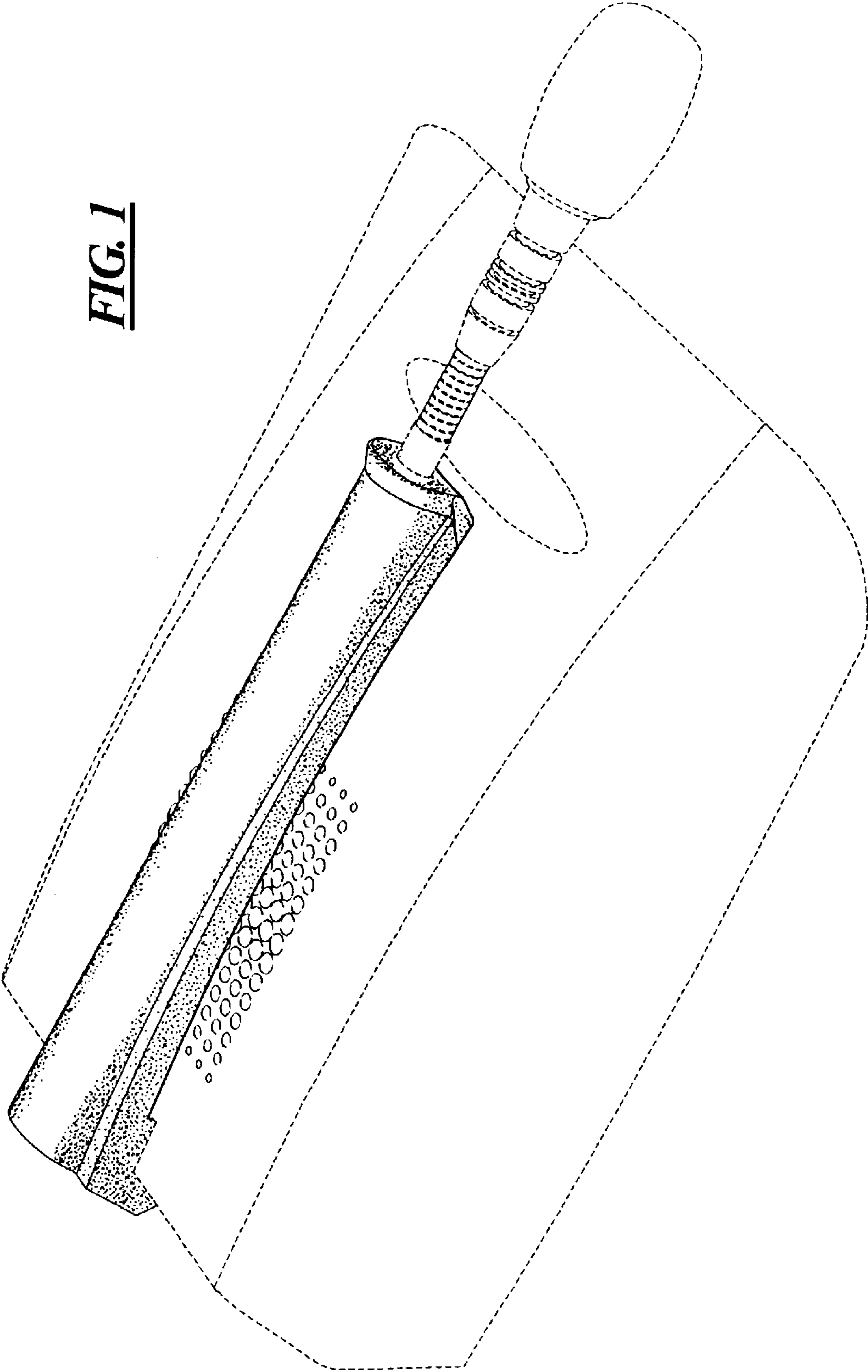
**DESCRIPTION**

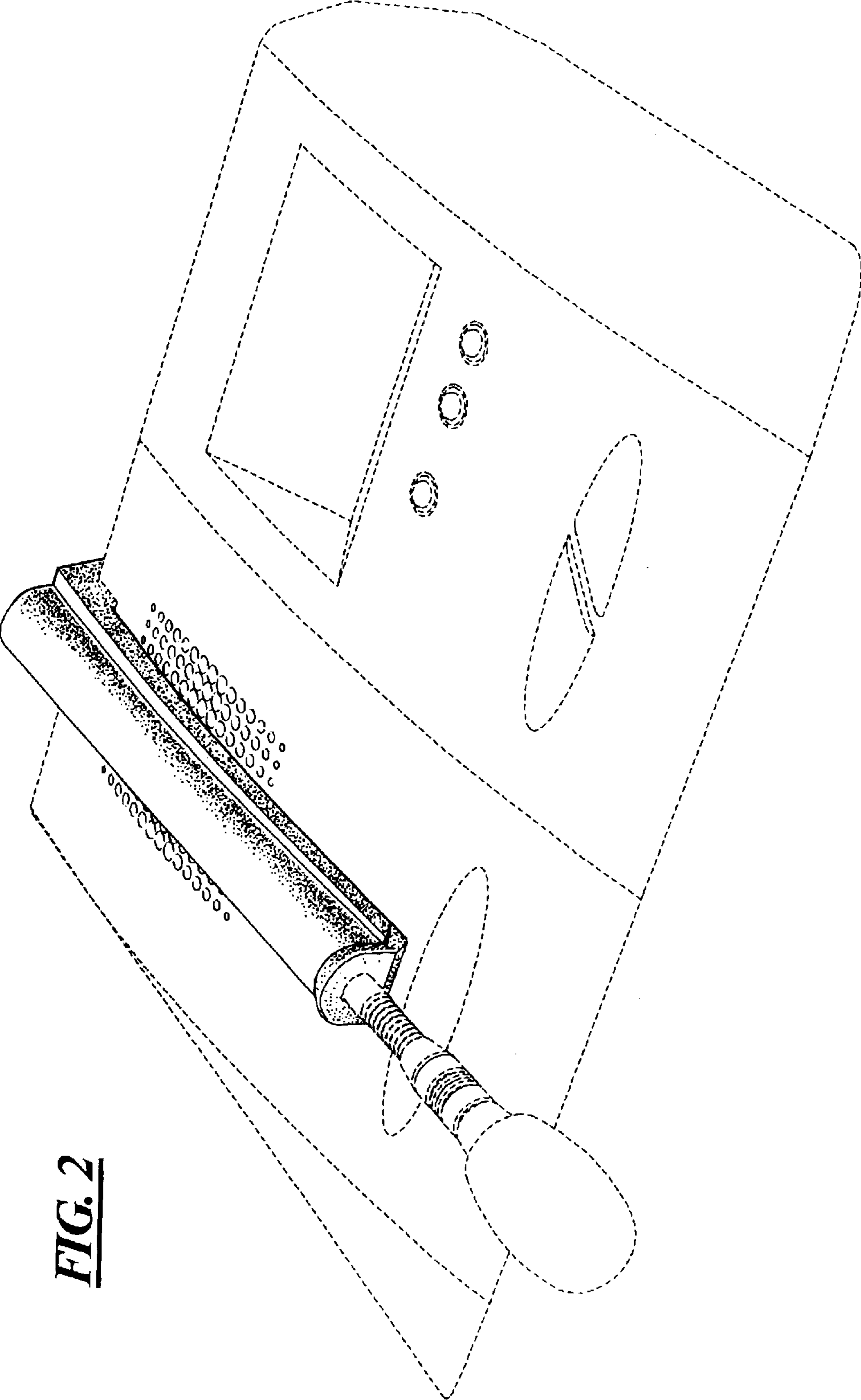
FIG. 1 is a left perspective view of the microphone arm;  
FIG. 2 is a right perspective view thereof;  
FIG. 3 is a rear perspective view thereof;  
FIG. 4 is another left perspective view thereof;  
FIG. 5 is top view thereof;  
FIG. 6 is a left side view thereof;  
FIG. 7 is a right side view thereof;  
FIG. 8 is a front view thereof; and,  
FIG. 9 is a rear view thereof.

**1 Claim, 9 Drawing Sheets**

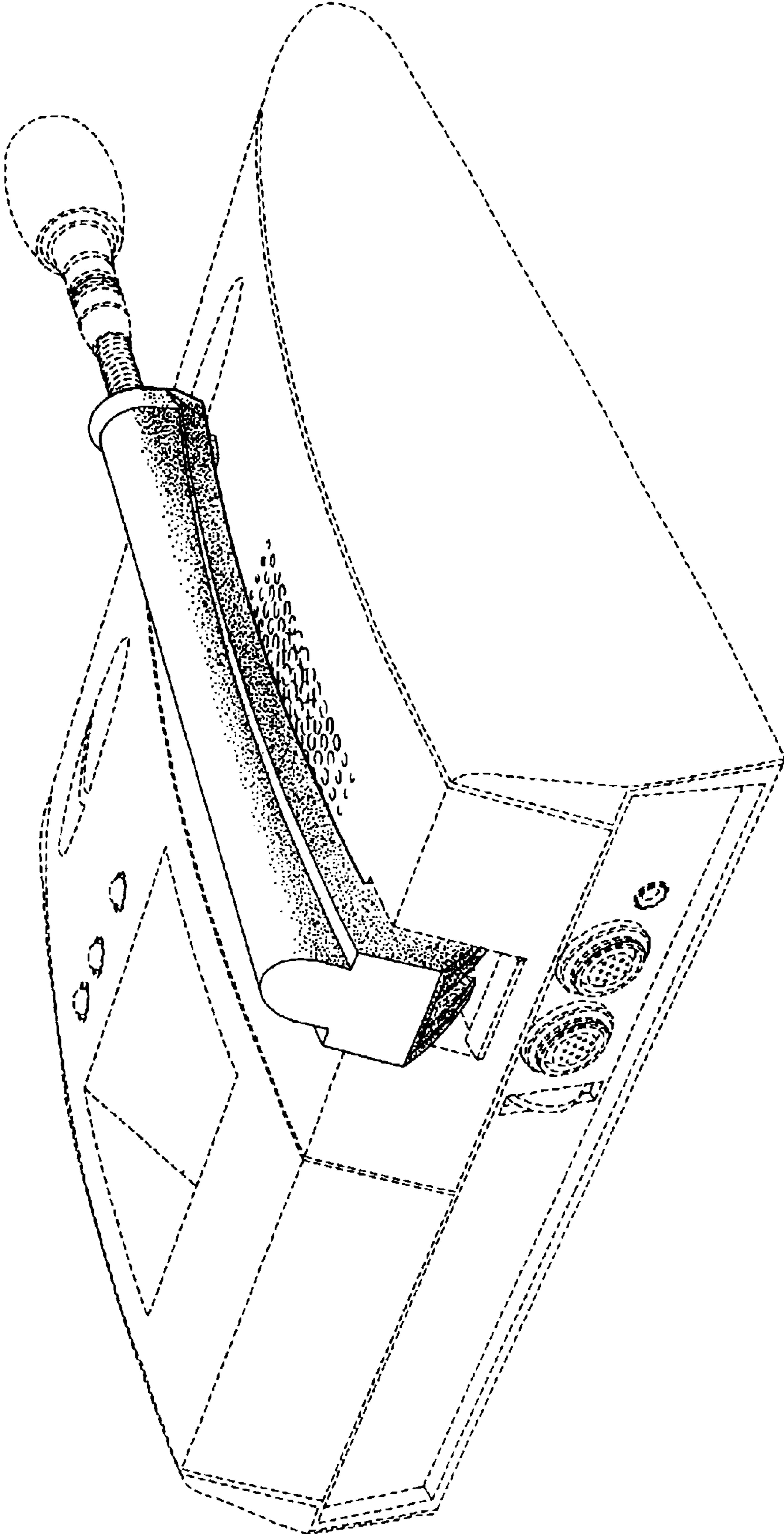


**FIG. 1**

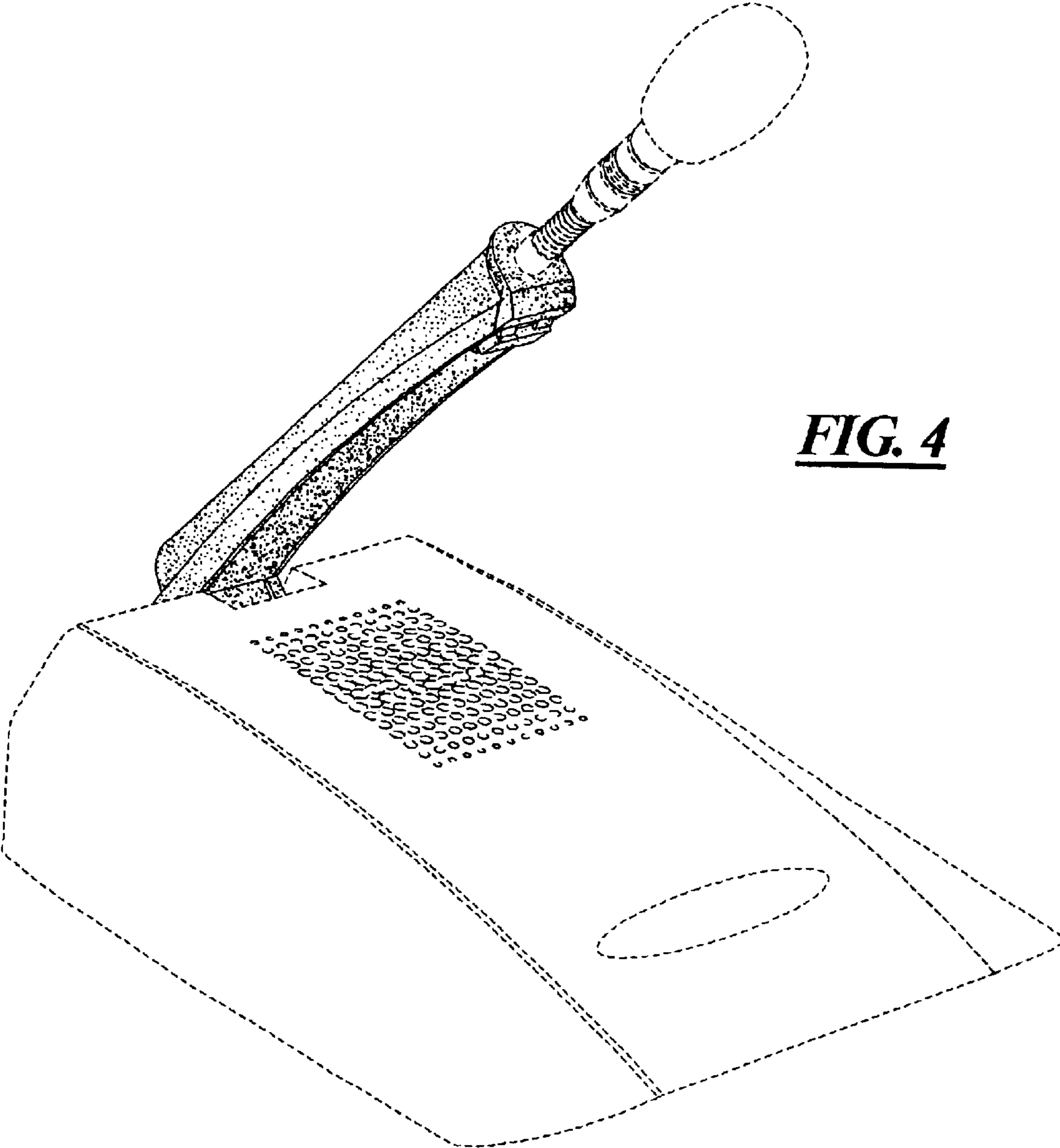




**FIG. 2**

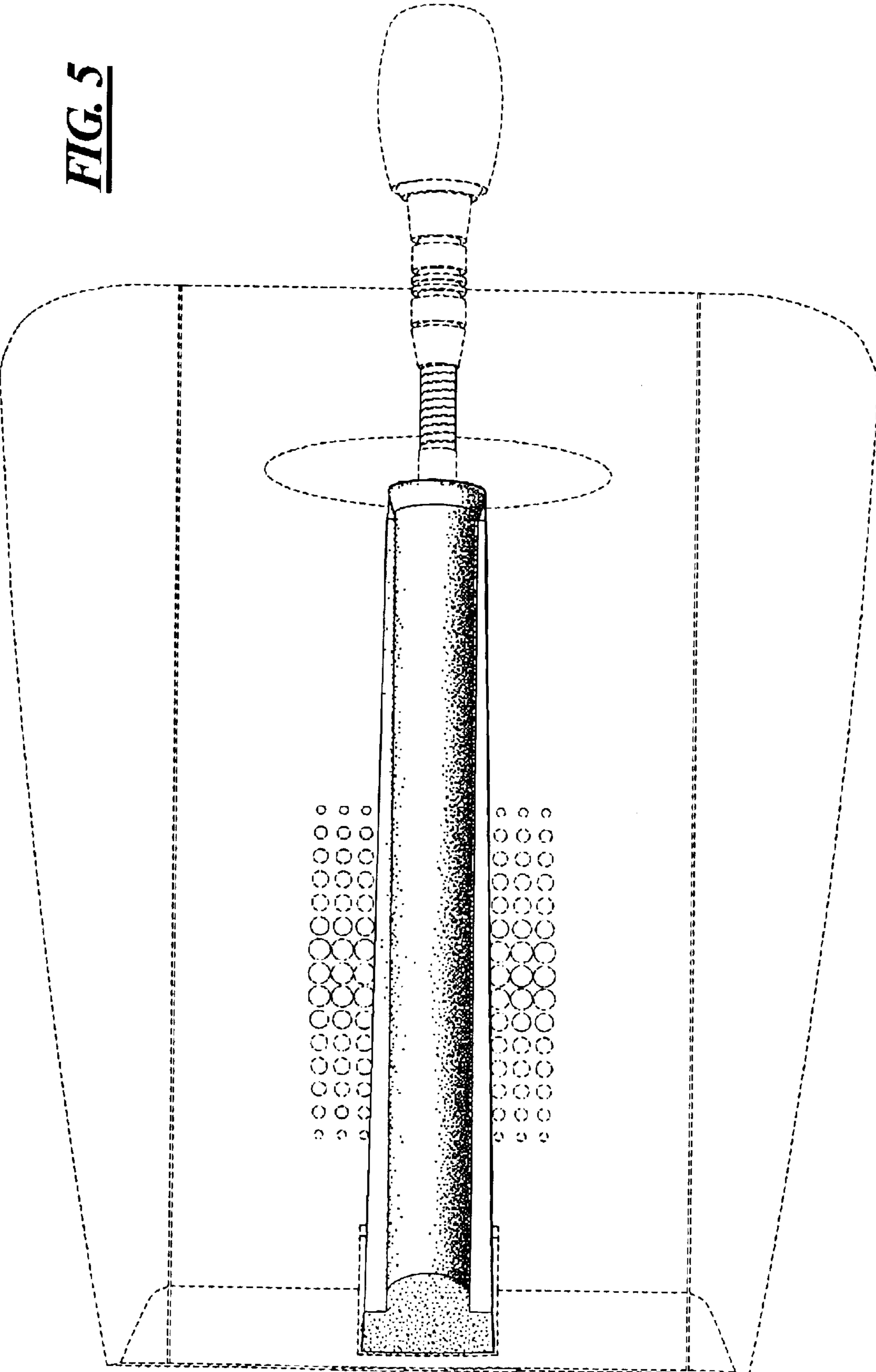


**FIG. 3**

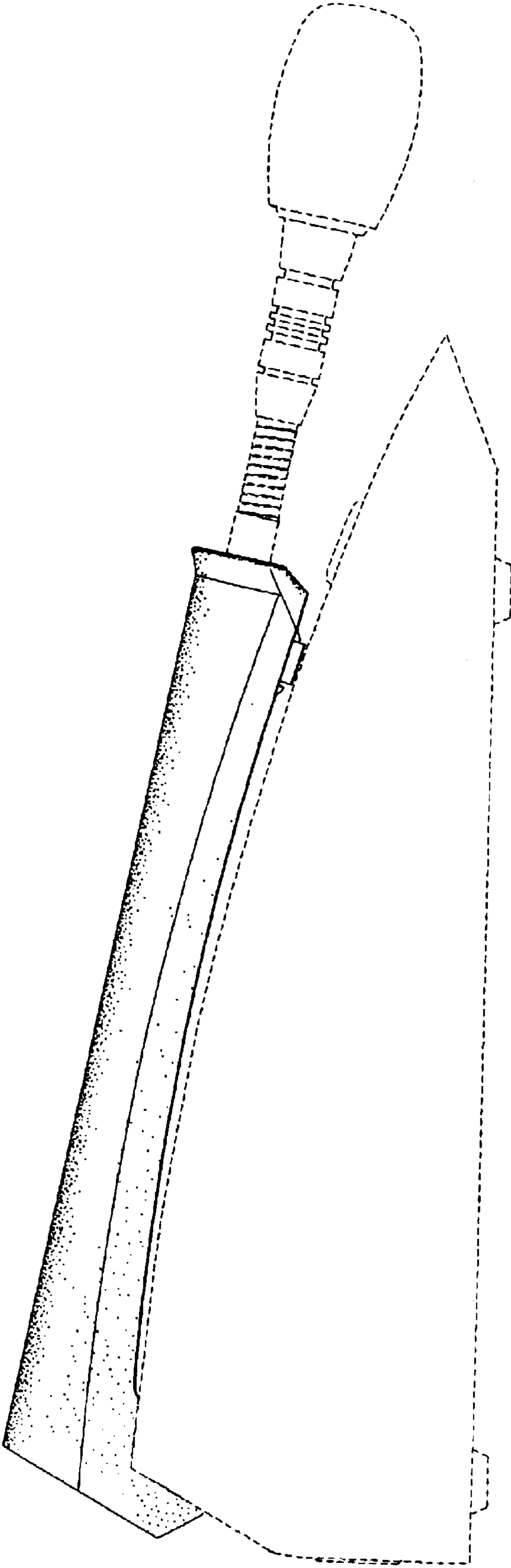


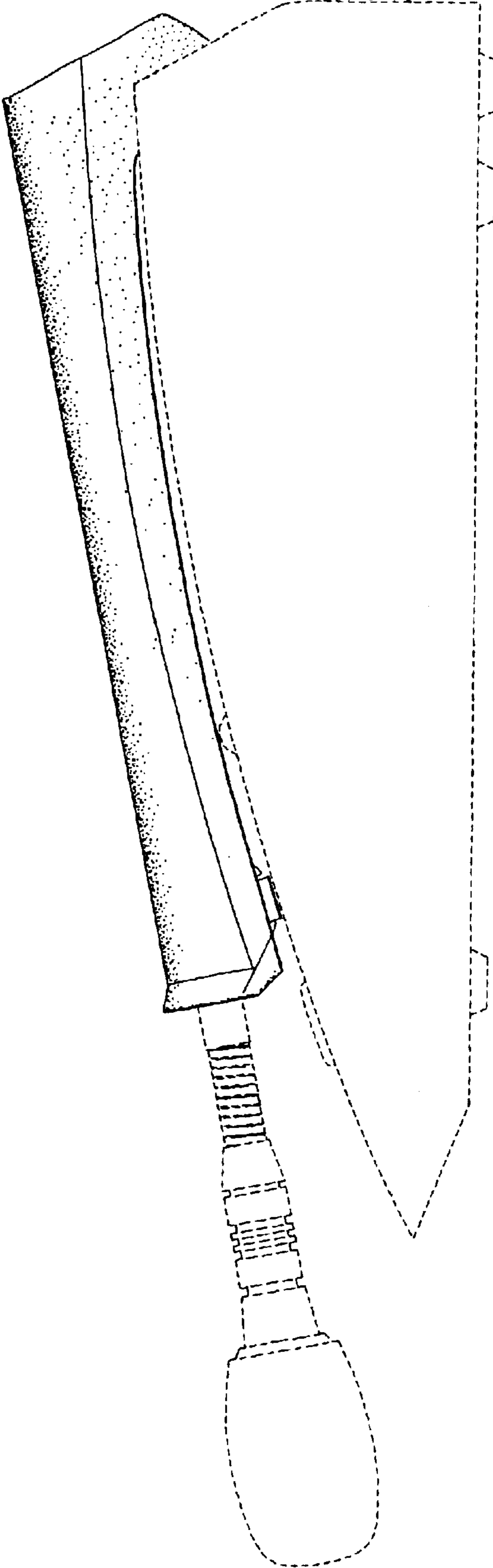
**FIG. 4**

**FIG. 5**



**FIG. 6**

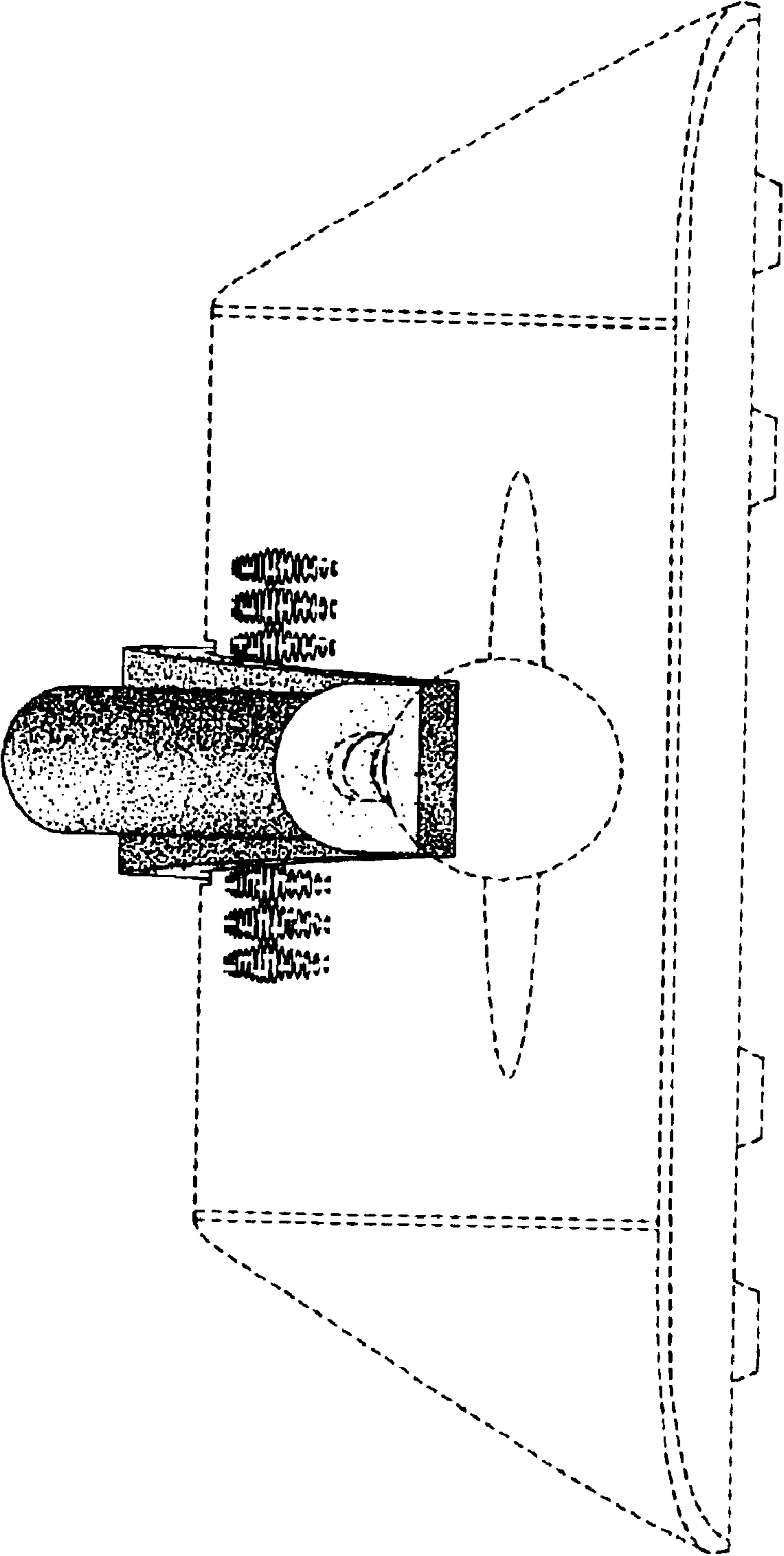




**FIG. 7**



**FIG. 8**



**FIG. 9**

