

US00D497152S1

(12) **United States Design Patent**
Yeh

(10) **Patent No.:** **US D497,152 S**

(45) **Date of Patent:** **** Oct. 12, 2004**

(54) **COMBINED AMPLIFIER AND TUNER**

(76) **Inventor:** **Hsiang-Yi Yeh**, 7F-5, 504, Yuan Shan Road, Chunggho, Taipei Hsien (TW)

(**) **Term:** **14 Years**

(21) **Appl. No.:** **29/194,568**

(22) **Filed:** **Nov. 28, 2003**

(51) **LOC (7) Cl.** **14-03**

(52) **U.S. Cl.** **D14/188; D14/265**

(58) **Field of Search** D14/188, 135, D14/136, 160, 161-164, 265, 192-198; 455/344-351; 381/86, 120, 121

(56) **References Cited**

U.S. PATENT DOCUMENTS

3,860,755	A	*	1/1975	Kimbell et al.	381/109
4,960,414	A	*	10/1990	Meyer	604/395
5,285,500	A	*	2/1994	Mantz	381/86
D419,156	S	*	1/2000	Yamazaki	D14/188
6,028,945	A	*	2/2000	Gayle	381/120

D460,063	S	*	7/2002	Oikawa et al.	D14/168
D481,704	S	*	11/2003	Shindo	D14/188
D489,355	S	*	5/2004	Yeh	D14/188

* cited by examiner

Primary Examiner—Prabhakar Deshmukh

(74) *Attorney, Agent, or Firm*—Troxell Law Office PLLC

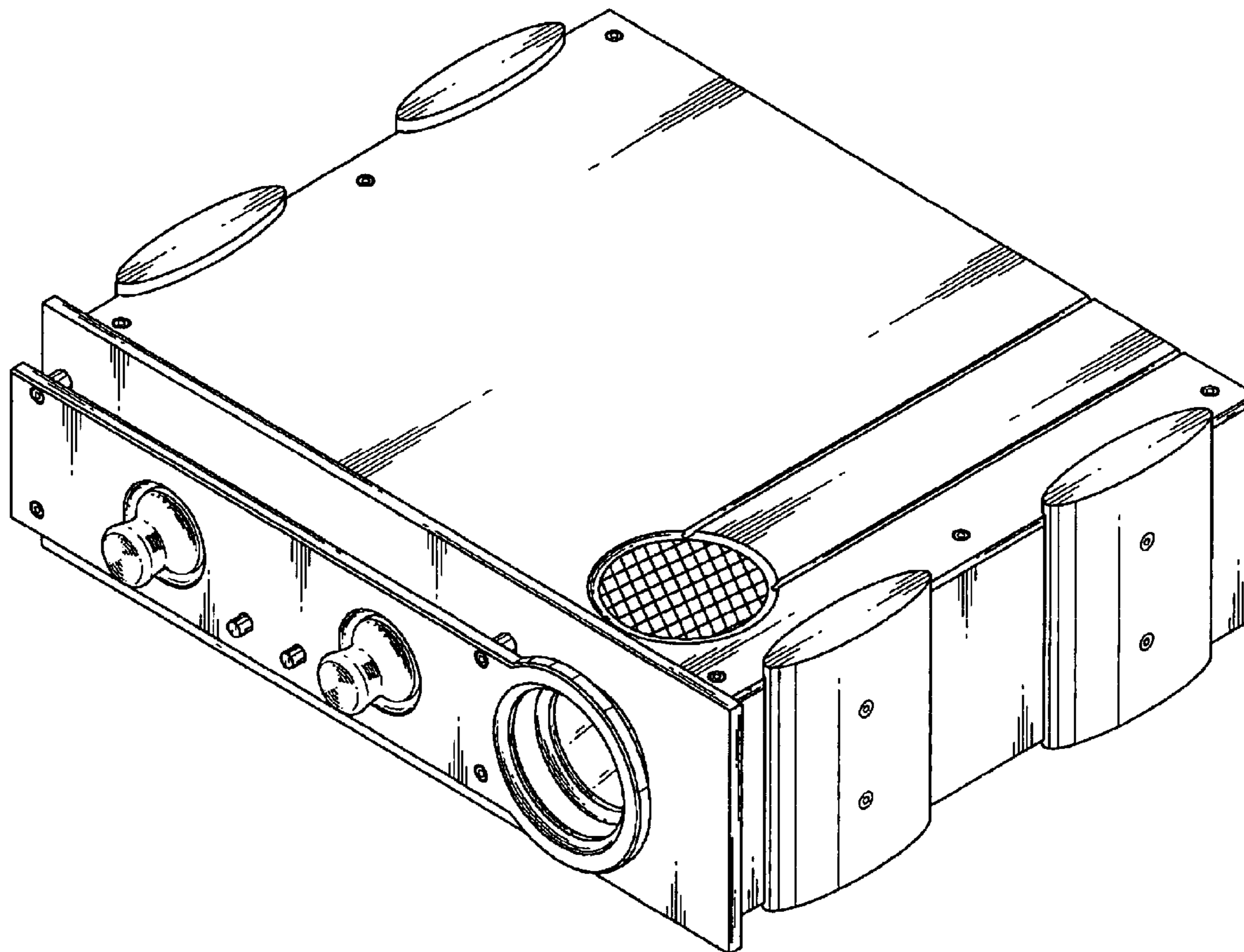
(57) **CLAIM**

The ornamental design for combined amplifier and tuner, as shown.

DESCRIPTION

FIG. 1 is a front perspective view of a combined amplifier and tuner showing my new design; FIG. 2 is a front elevational view thereof; FIG. 3 is a rear elevational view thereof; FIG. 4 is a left side elevational view thereof; FIG. 5 is a right side elevational view thereof; FIG. 6 is a top plan view thereof; and, FIG. 7 is a bottom plan view thereof.

1 Claim, 7 Drawing Sheets



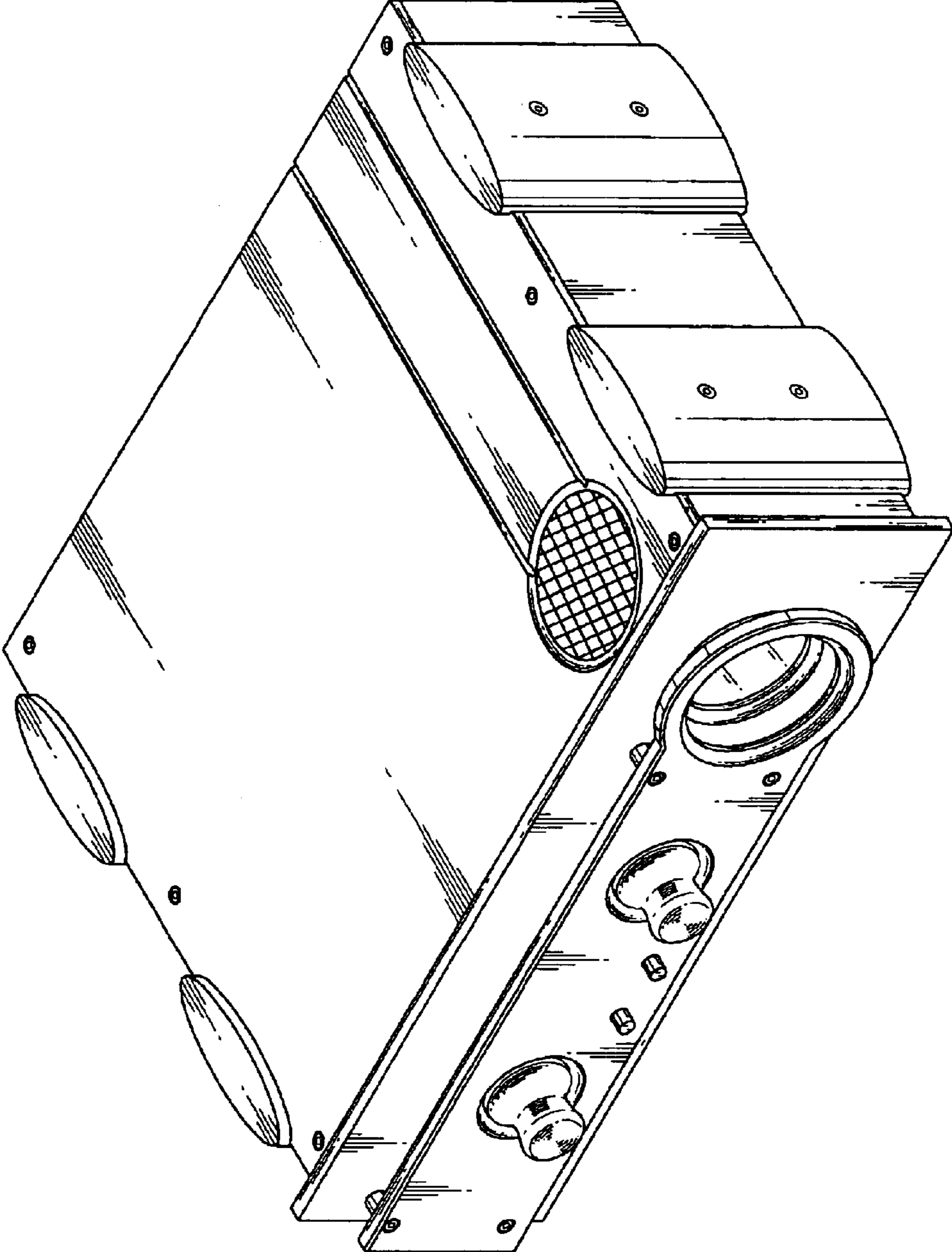


Fig. 1

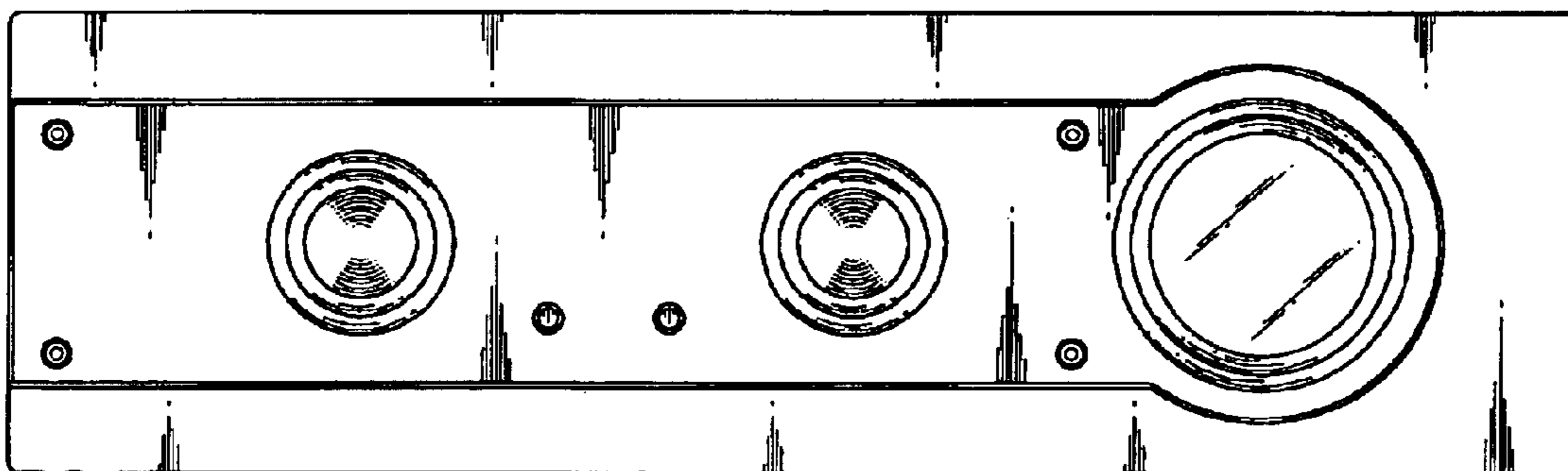


Fig. 2

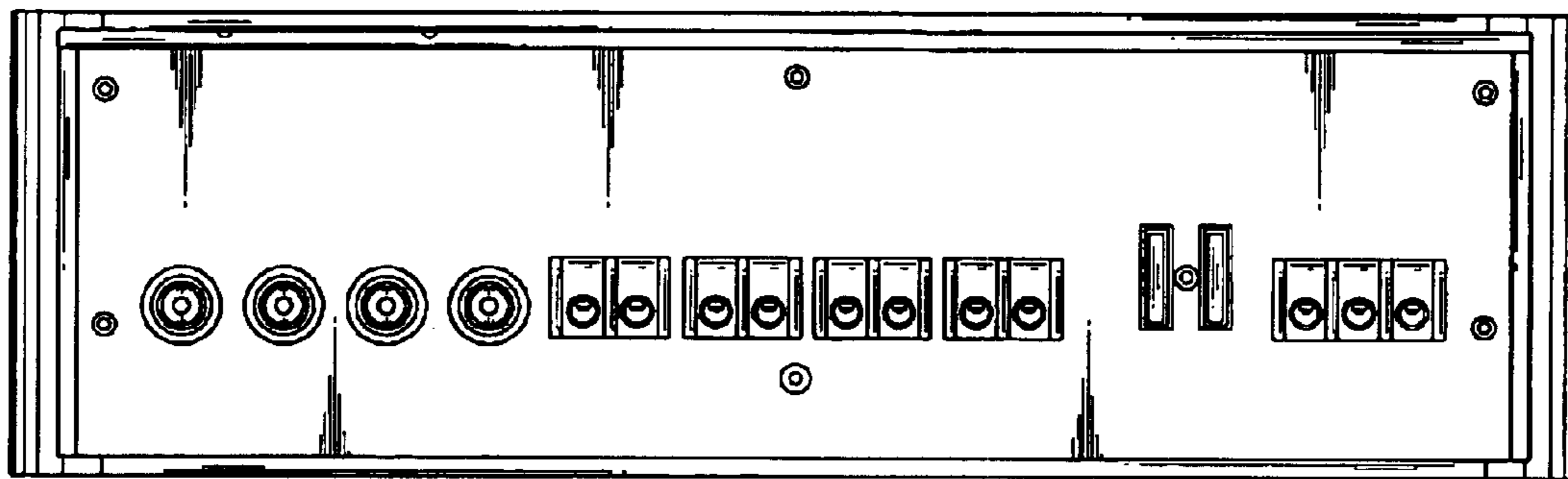


Fig. 3

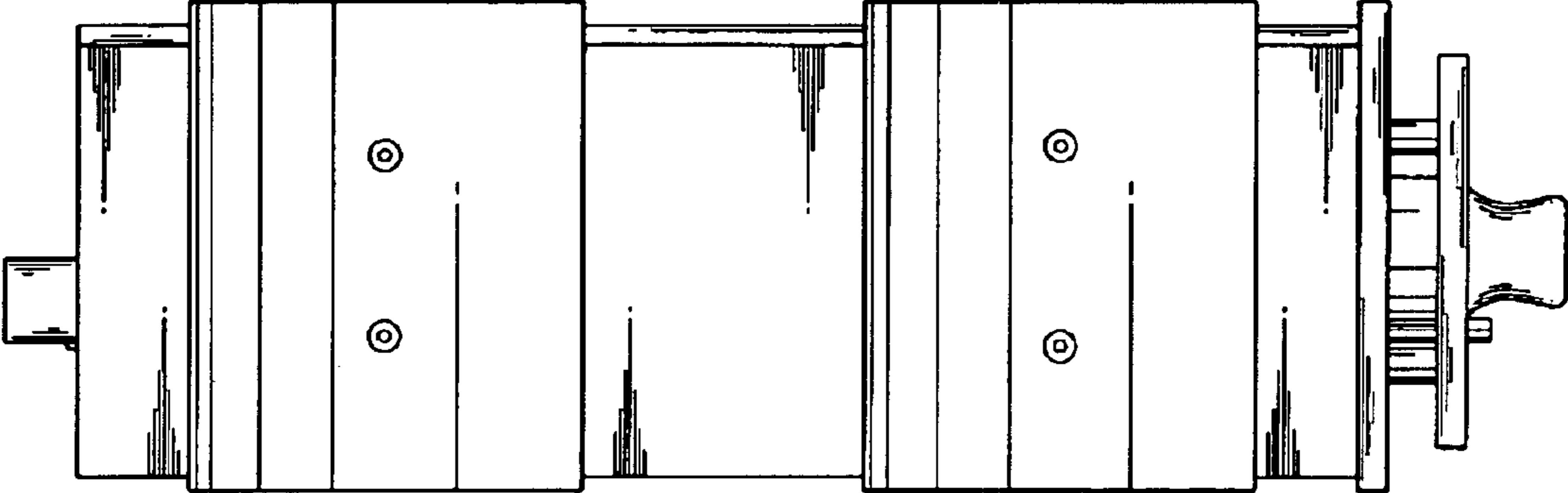


Fig. 4

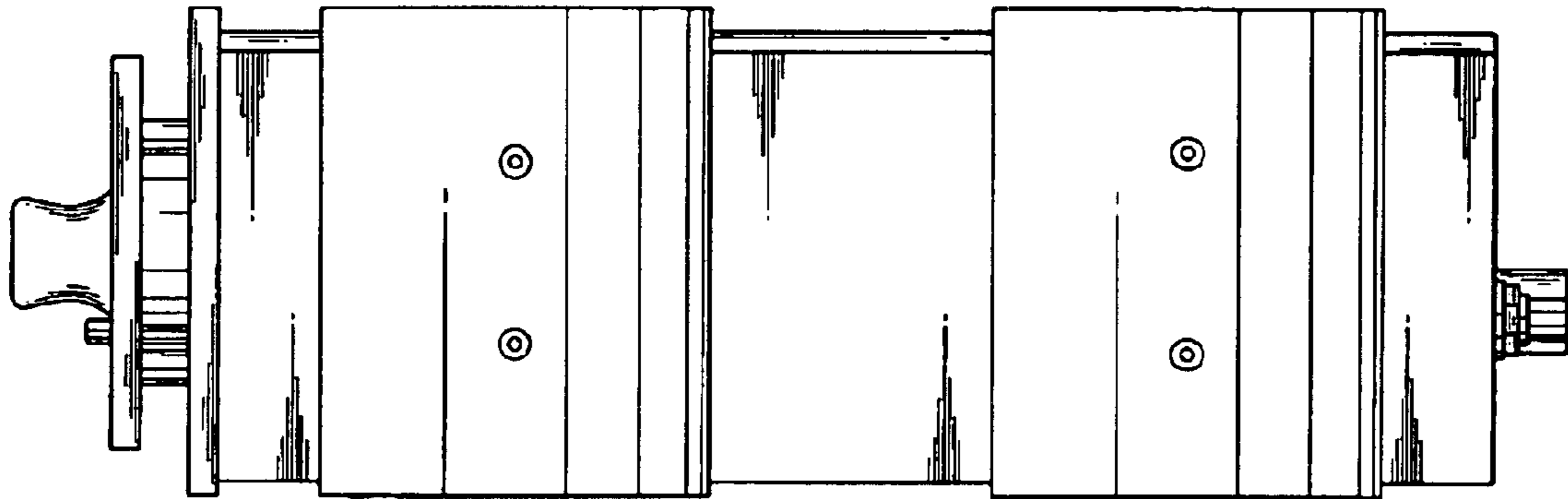


Fig. 5

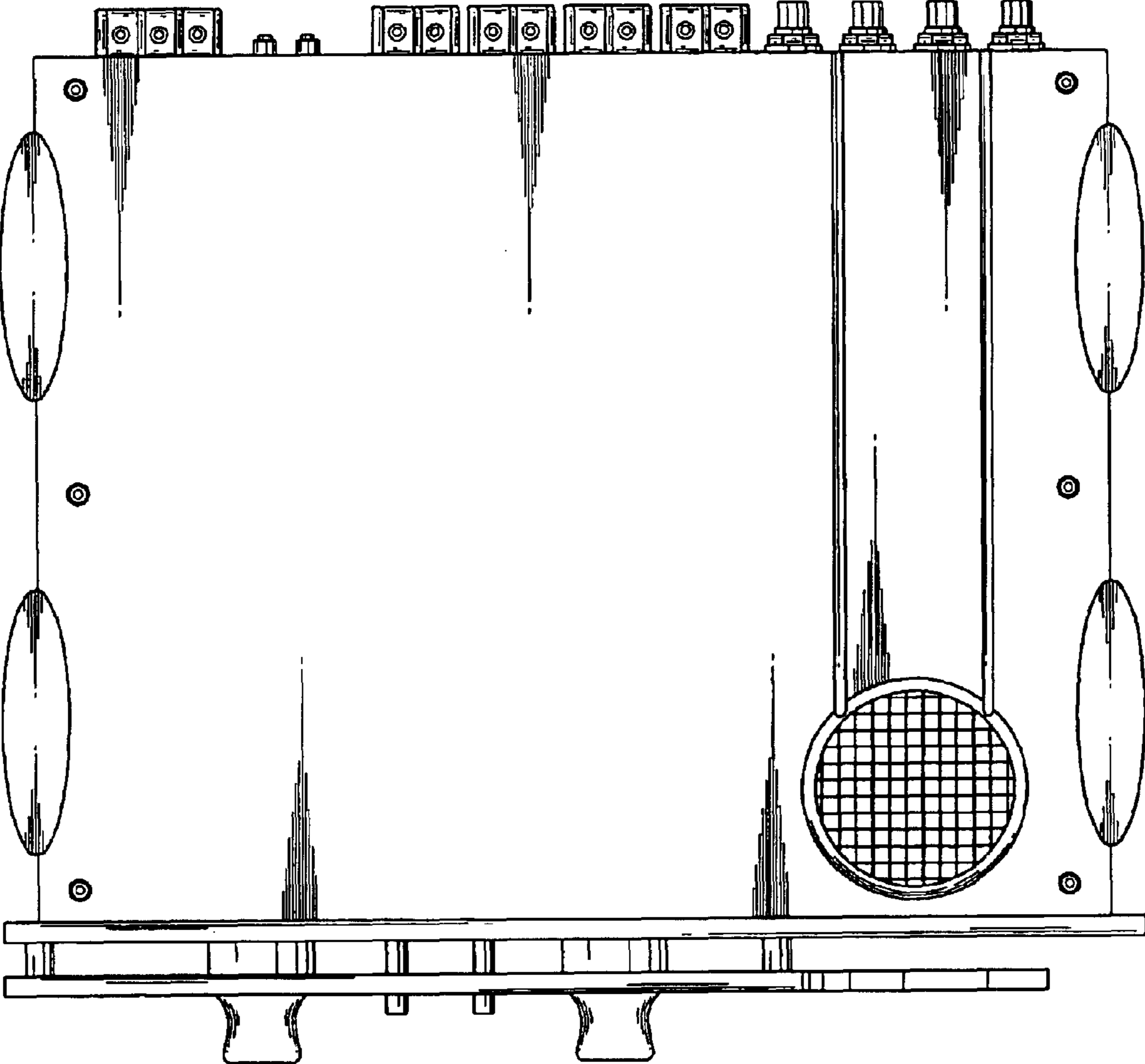


Fig. 6

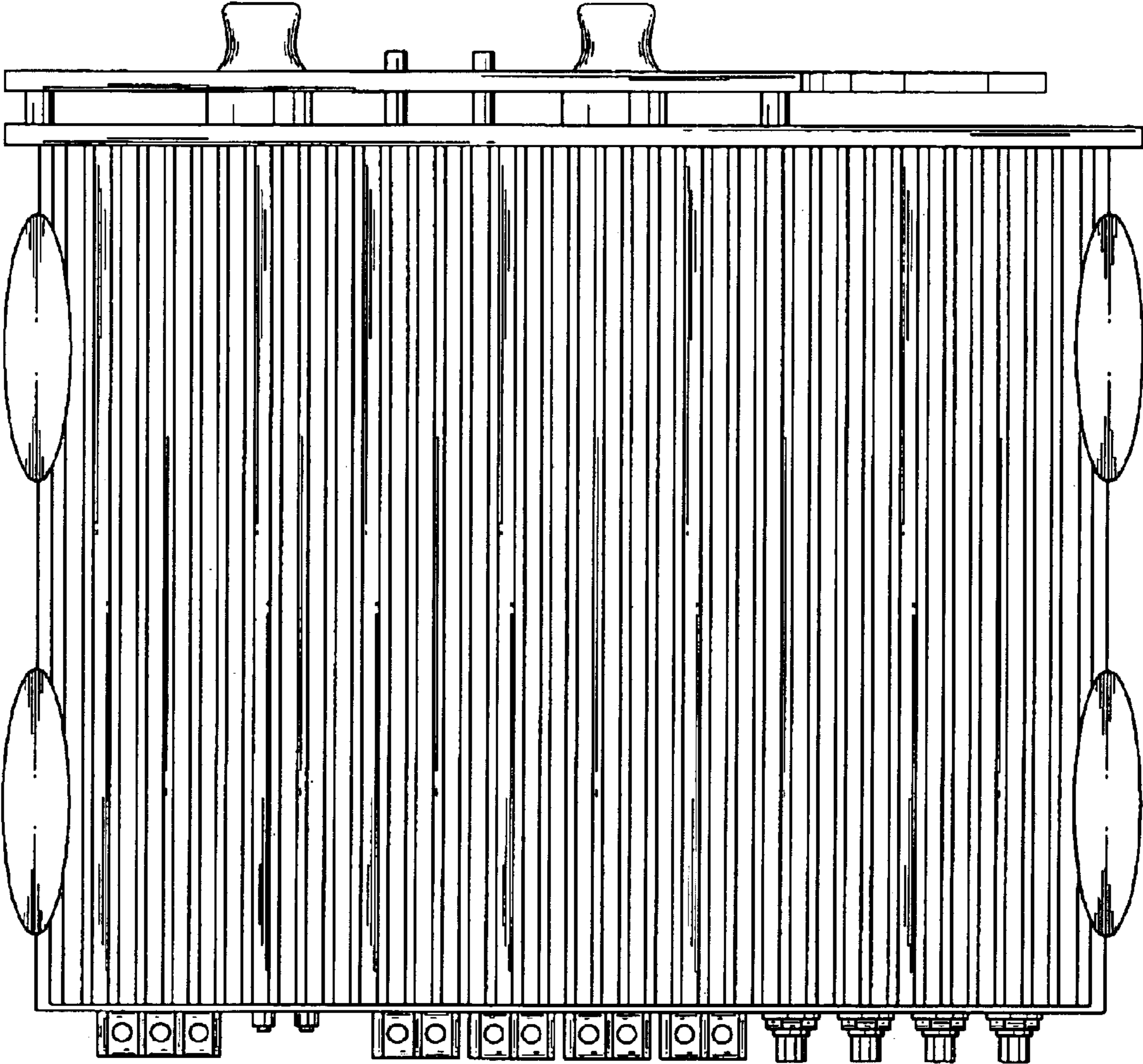


Fig. 7