

US00D497151S1

(12) **United States Design Patent**
Wang

(10) **Patent No.:** **US D497,151 S**
(45) **Date of Patent:** **** Oct. 12, 2004**

- (54) **CELLULAR PHONE**
- (75) **Inventor:** **Chu-Fu Wang, Hsin Chuang (TW)**
- (73) **Assignee:** **Quanta Computer, Inc., Taoyuan Shien (TW)**
- (**) **Term:** **14 Years**
- (21) **Appl. No.:** **29/200,737**
- (22) **Filed:** **Mar. 3, 2004**
- (51) **LOC (7) Cl.** **14-03**
- (52) **U.S. Cl.** **D14/138**
- (58) **Field of Search** D14/137, 138, D14/218, 147-148, 247-249, 401, 144, 455, 456, 341-347, 338-340, 399, 426, 387, 429, 453, 244, 246; 379/433.01-433.13, 434, 419, 420.01-420.04, 428.01-428.02, 440, 368-370; 455/550.1-90.3; D13/168; D18/2, 7; 345/168, 169; D21/329, 331, 517; D10/37, 126, 30, 40; D11/80; D28/78, 79, 82

(56) **References Cited**

U.S. PATENT DOCUMENTS

- D16,127 S * 6/1885 Ladd D10/37
- D225,586 S * 12/1972 Stahl D28/82
- D249,332 S * 9/1978 Hauf D9/420
- D279,459 S * 7/1985 On D10/31
- D310,093 S * 8/1990 Sakaguchi et al. D18/7
- D310,341 S * 9/1990 Tsuji D10/71
- D336,435 S * 6/1993 Yusa D10/2
- D358,149 S * 5/1995 Fellingner D14/138
- D359,733 S * 6/1995 Fellingner D14/138
- D371,126 S * 6/1996 Bro D14/138
- D408,590 S * 4/1999 Litton D28/82
- D413,600 S * 9/1999 Cheng et al. D14/218
- D415,693 S * 10/1999 Kennedy D10/30
- D416,895 S * 11/1999 Fenner et al. D14/144
- D423,517 S * 4/2000 Collins D14/248
- D424,751 S * 5/2000 Kudo et al. D28/78
- D427,172 S * 6/2000 Bequir D14/138

- D433,396 S * 11/2000 Wong D14/137
- D439,376 S * 3/2001 Lerolle D28/82
- D447,476 S * 9/2001 Chaiken et al. D14/345
- D451,485 S * 12/2001 Moss D14/138
- D453,751 S * 2/2002 Bearden D14/138
- D461,791 S * 8/2002 Ma D14/206
- D471,116 S * 3/2003 Suzuki D10/40
- D473,345 S * 4/2003 Thorpe D28/82
- D476,572 S * 7/2003 Merritt D9/504
- D476,581 S * 7/2003 Calvani et al. D10/30
- D487,441 S * 3/2004 Wang et al. D14/138
- D487,442 S * 3/2004 Wang et al. D14/138
- D488,142 S * 4/2004 Wang et al. D14/138
- D489,045 S * 4/2004 Wang et al. D14/138
- 6,728,518 B1 * 4/2004 Scrivens et al. 455/90.2
- D489,343 S * 5/2004 Wang et al. D14/138
- 2002/0068617 A1 * 6/2002 Han 455/569
- 2003/0122784 A1 * 7/2003 Shkolnikov 345/169

FOREIGN PATENT DOCUMENTS

- WO DM/058448 * 12/2001
- WO DM/062031 * 11/2002
- WO DM/064370 * 9/2003

* cited by examiner

Primary Examiner—Jeffrey Asch

(74) *Attorney, Agent, or Firm*—Thomas, Kayden, Horstemeyer & Risley

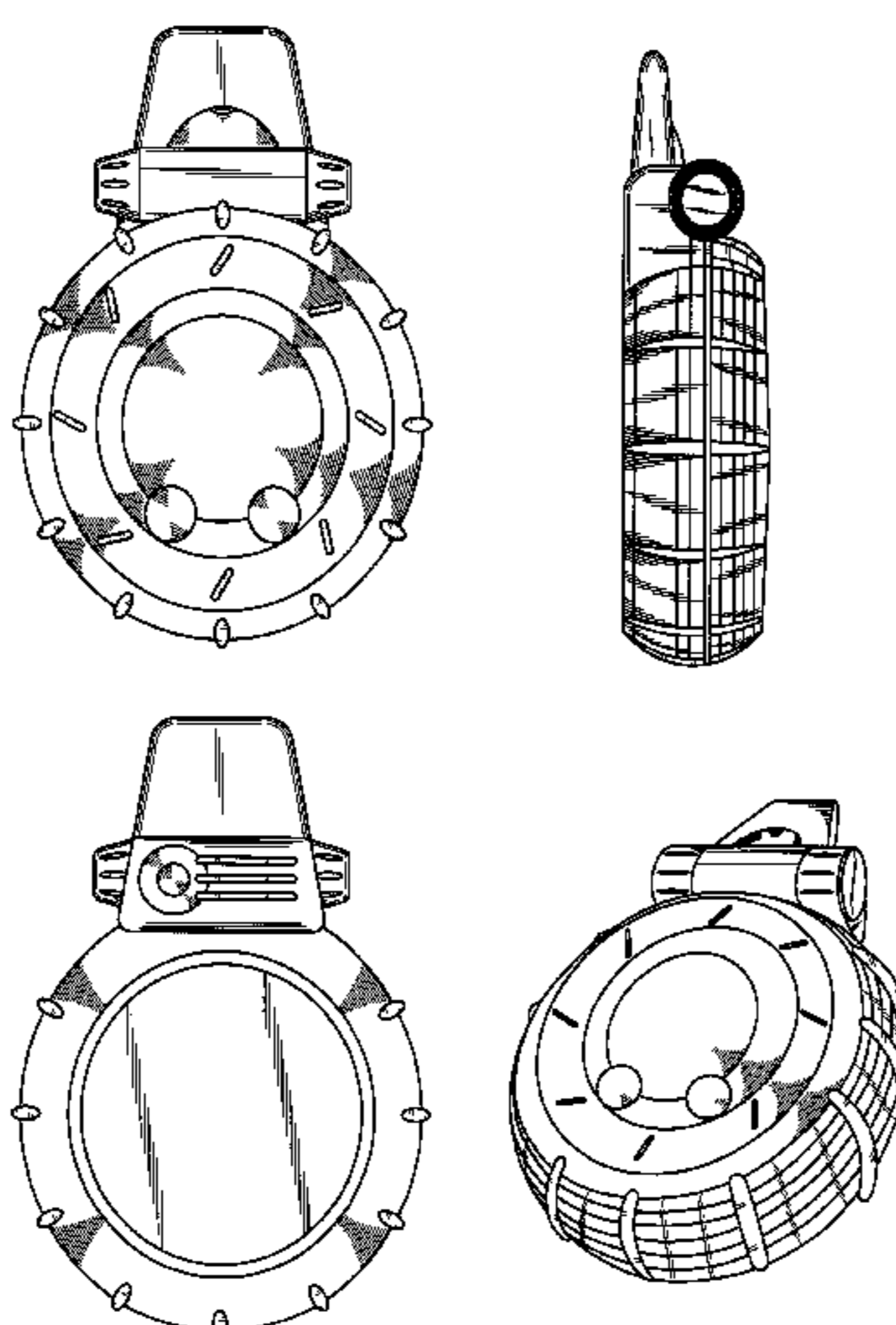
(57) **CLAIM**

The ornamental design for a cellular phone, as shown and described.

DESCRIPTION

FIG. 1 is a front elevational view of a cellular phone showing our new design with the lid in a closed position; FIG. 2 is a rear elevational view thereof; FIG. 3 is a left side elevational view thereof; FIG. 4 is a right side elevational view thereof; FIG. 5 is a top plan view thereof; FIG. 6 is a bottom plan view thereof; and, FIG. 7 is a front, side perspective view thereof.

1 Claim, 4 Drawing Sheets



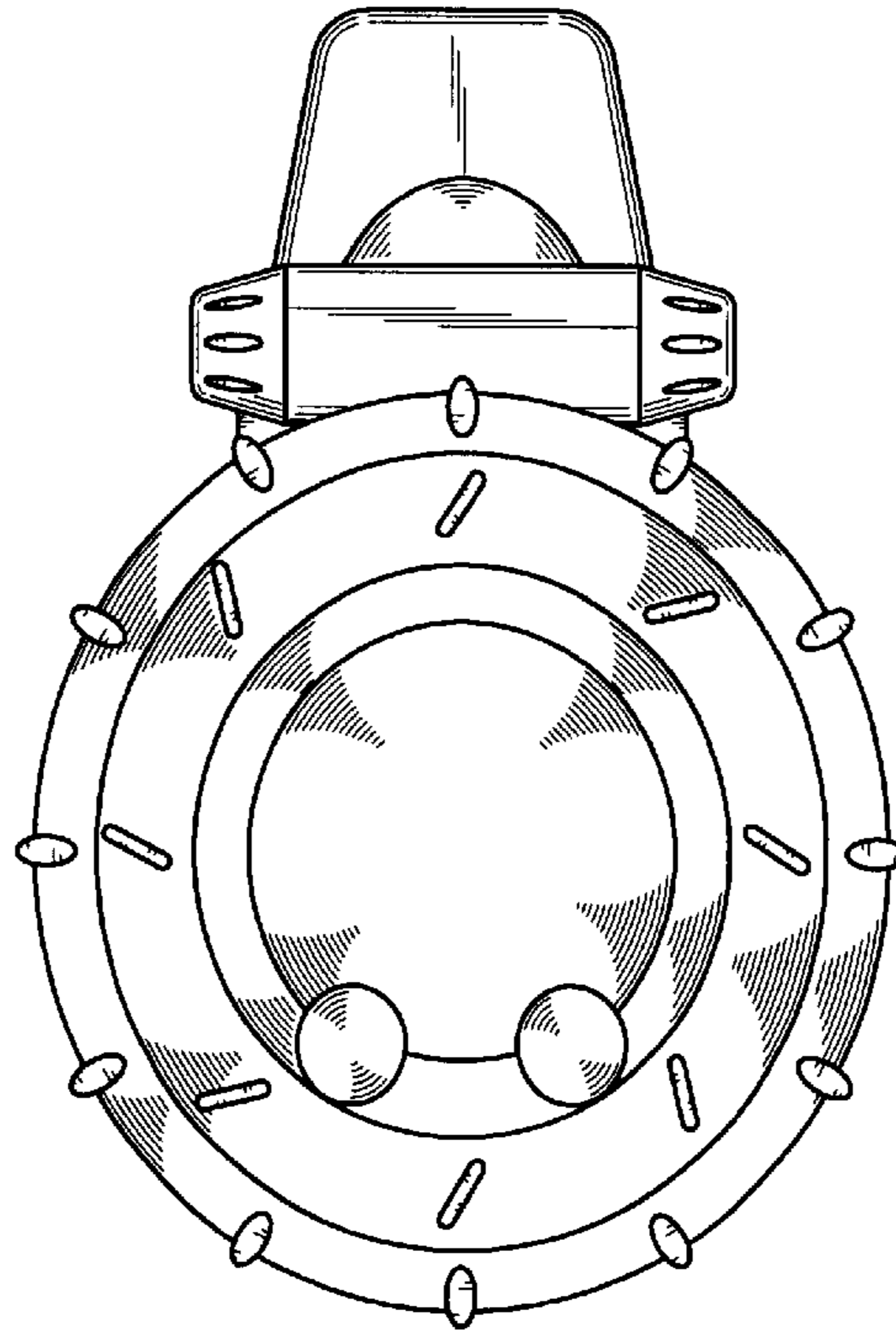


Fig. 1

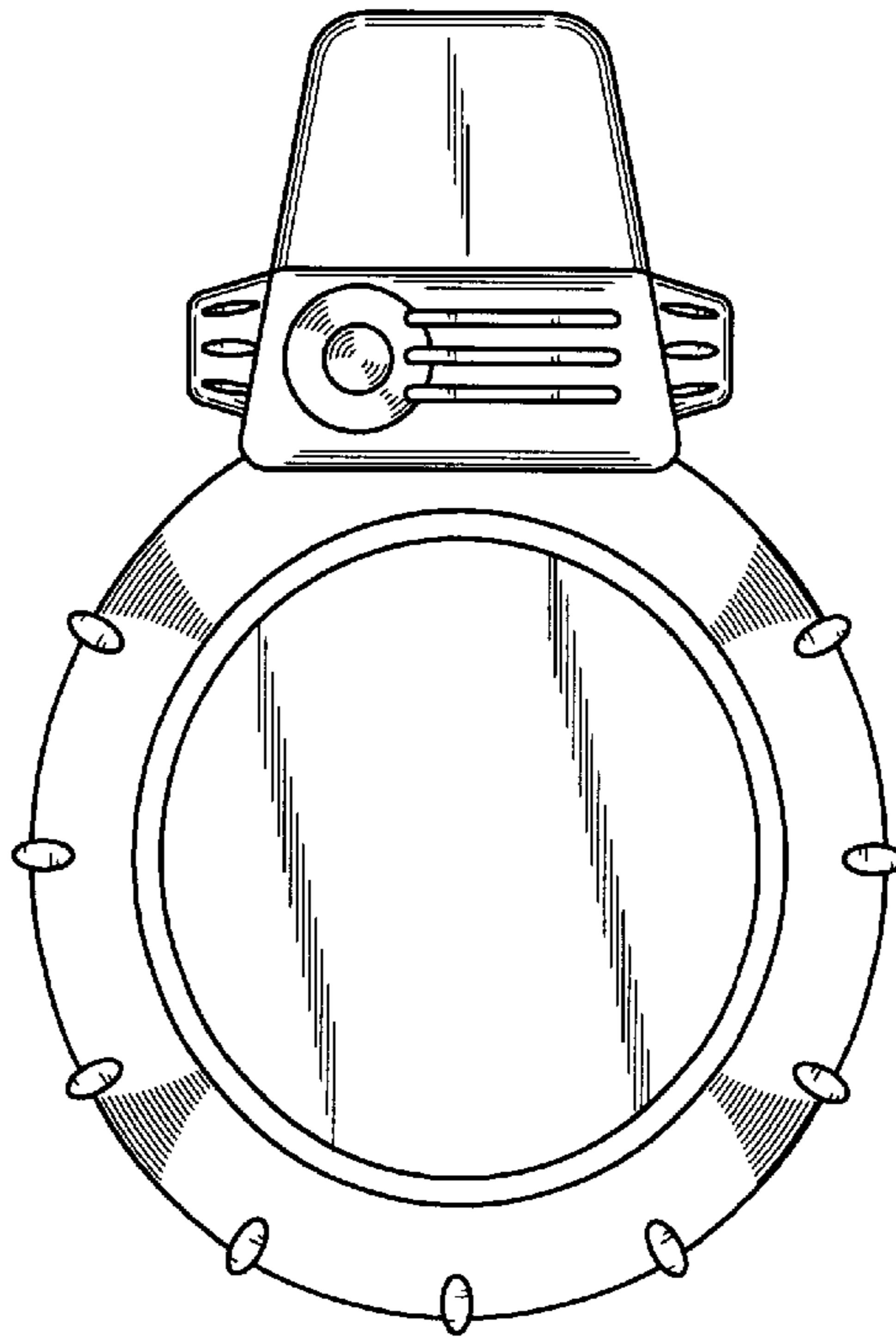


Fig. 2



Fig. 3

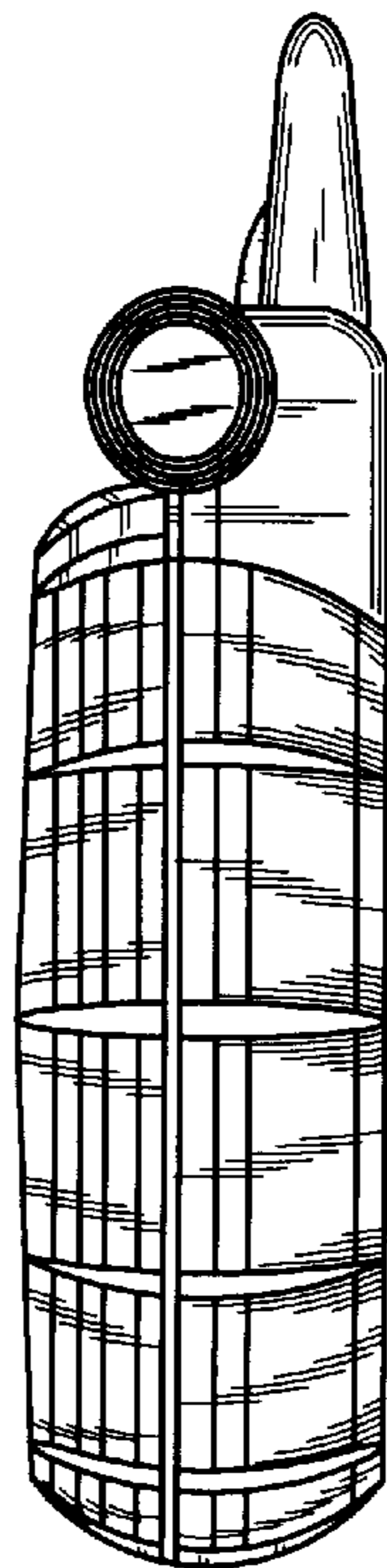


Fig. 4

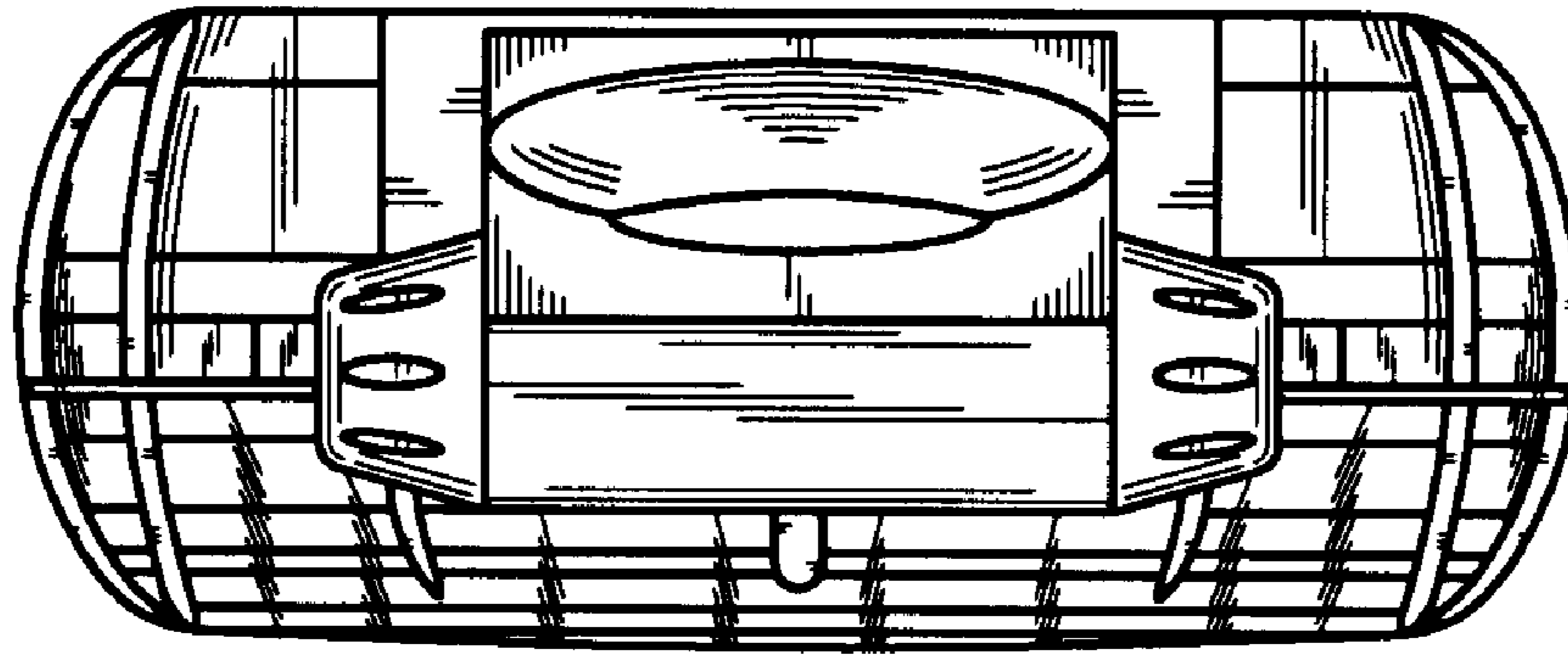


Fig. 5

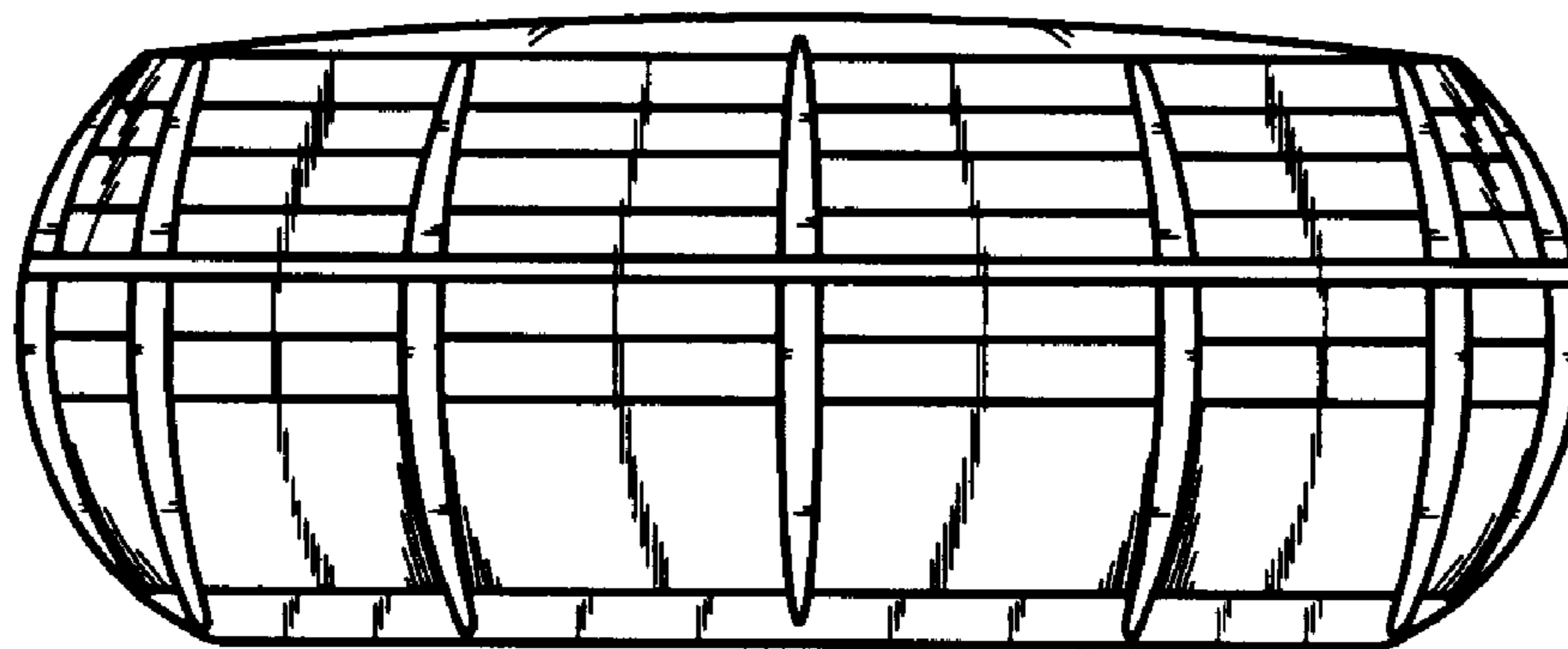


Fig. 6

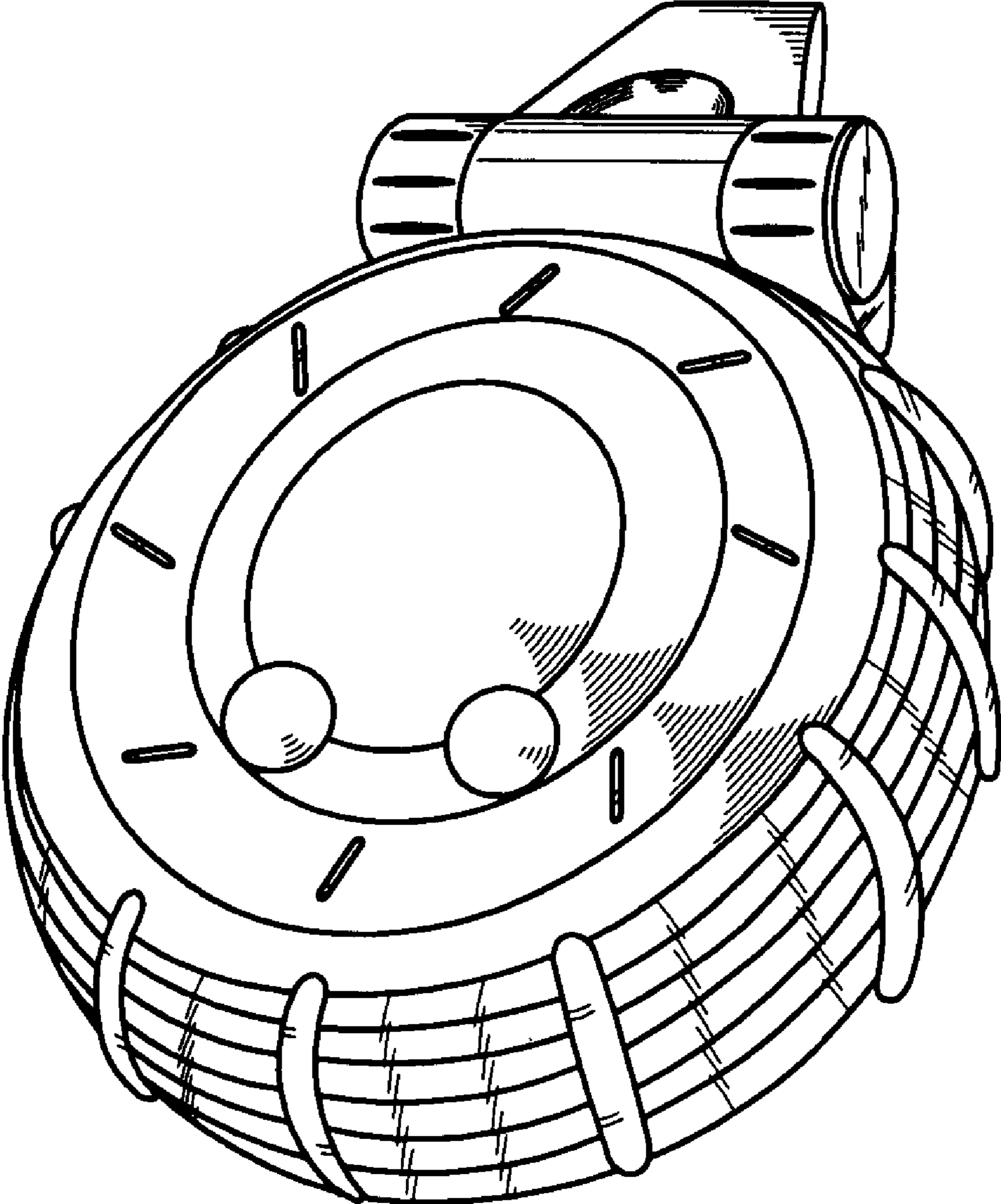


Fig. 7