

US00D497148S1

(12) **United States Design Patent**
Kamata et al.

(10) **Patent No.: US D497,148 S**
(45) **Date of Patent: ** Oct. 12, 2004**

(54) **DIGITAL VIDEO DISC RECORDER**

D462,941 S * 9/2002 Woo D14/136
D466,876 S * 12/2002 Usami et al. D14/136

(75) Inventors: **Tetsuya Kamata**, Tokyo (JP);
Toshiyuki Sonoda, Tokyo (JP)

FOREIGN PATENT DOCUMENTS

(73) Assignee: **Pioneer Corporation**, Tokyo (JP)

GB 300 2699 5/2002
JP 1147548 7/2002

(**) Term: **14 Years**

* cited by examiner

(21) Appl. No.: **29/175,781**

Primary Examiner—Nanda Bondade
(74) *Attorney, Agent, or Firm*—Sughrue Mion, PLLC

(22) Filed: **Feb. 11, 2003**

(57) **CLAIM**

(30) **Foreign Application Priority Data**

The ornamental design for a digital video disc recorder, as shown and described.

Sep. 19, 2002 (JP) 2002-025447

DESCRIPTION

(51) **LOC (7) Cl.** **14-01**

(52) **U.S. Cl.** **D14/136**

(58) **Field of Search** D14/135–136,
D14/156–157, 167–168, 188, 193–198,
257–258; 369/75.1, 75.2, 77.1, 77.2; 455/344,
347, 350–351

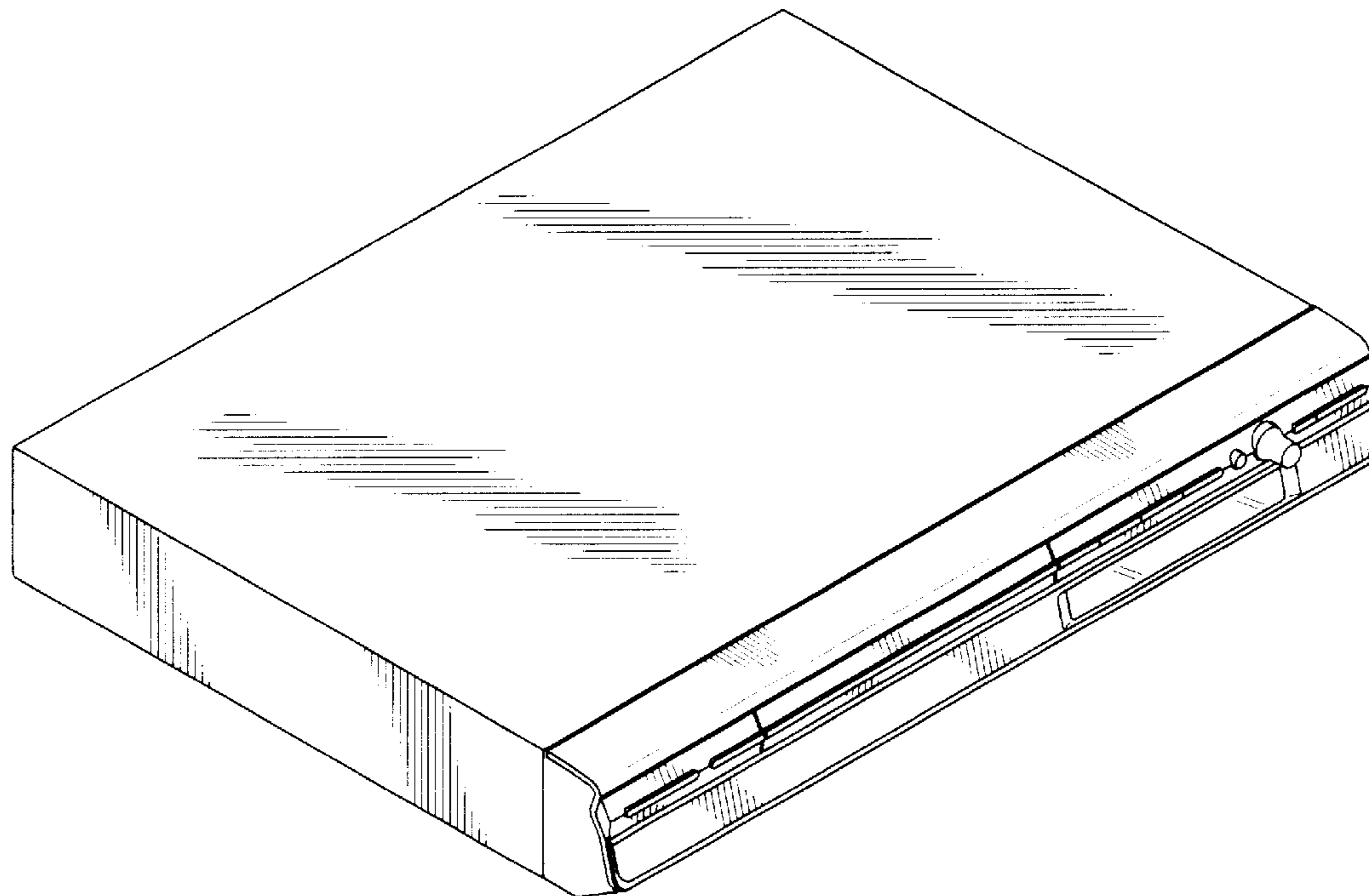
FIG. 1 is a front elevational view of the digital video disc recorder showing our new design;
FIG. 2 is a rear elevational view thereof;
FIG. 3 is a right side elevational view thereof;
FIG. 4 is a left side elevational view thereof;
FIG. 5 is a top plan view thereof;
FIG. 6 is a bottom plan view thereof;
FIG. 7 is a perspective view of the top, front and left side thereof; and,
FIG. 8 is a view similar to FIG. 7 with the video disc tray in the extended position.

(56) **References Cited**

U.S. PATENT DOCUMENTS

D311,915 S * 11/1990 Hong D14/135
D323,498 S * 1/1992 Bang D14/136
5,859,828 A * 1/1999 Ishibashi 369/75.1
D412,905 S * 8/1999 Miyazaki et al. D14/156

1 Claim, 3 Drawing Sheets



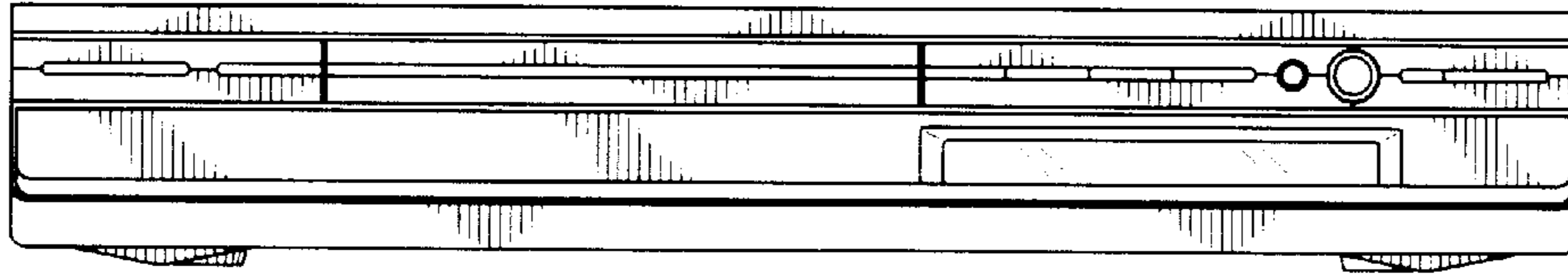


FIG. 1

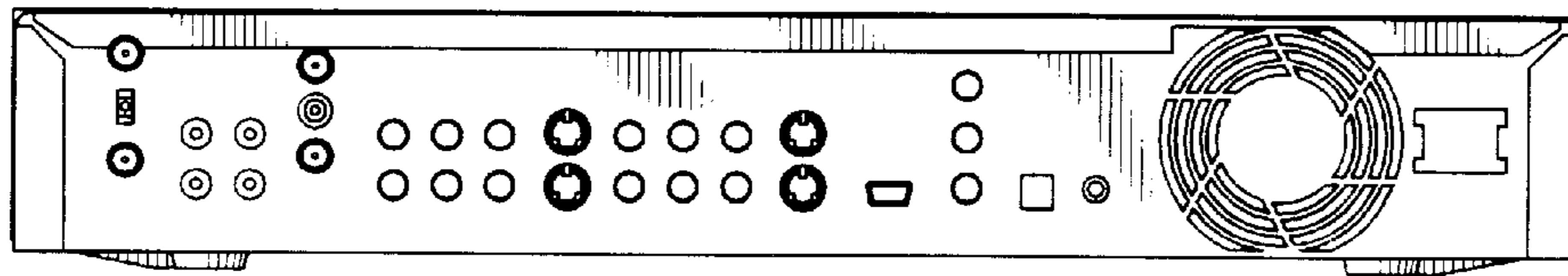


FIG. 2

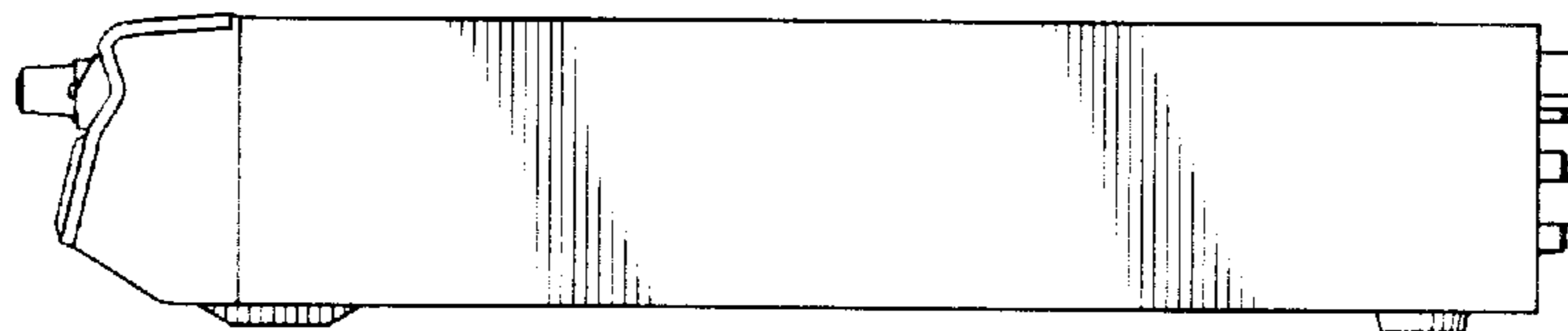


FIG. 3

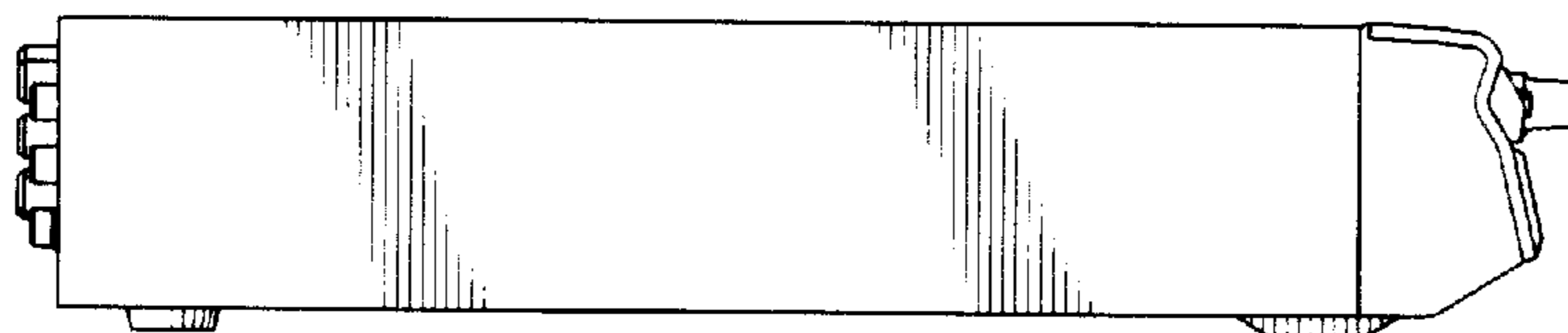


FIG. 4

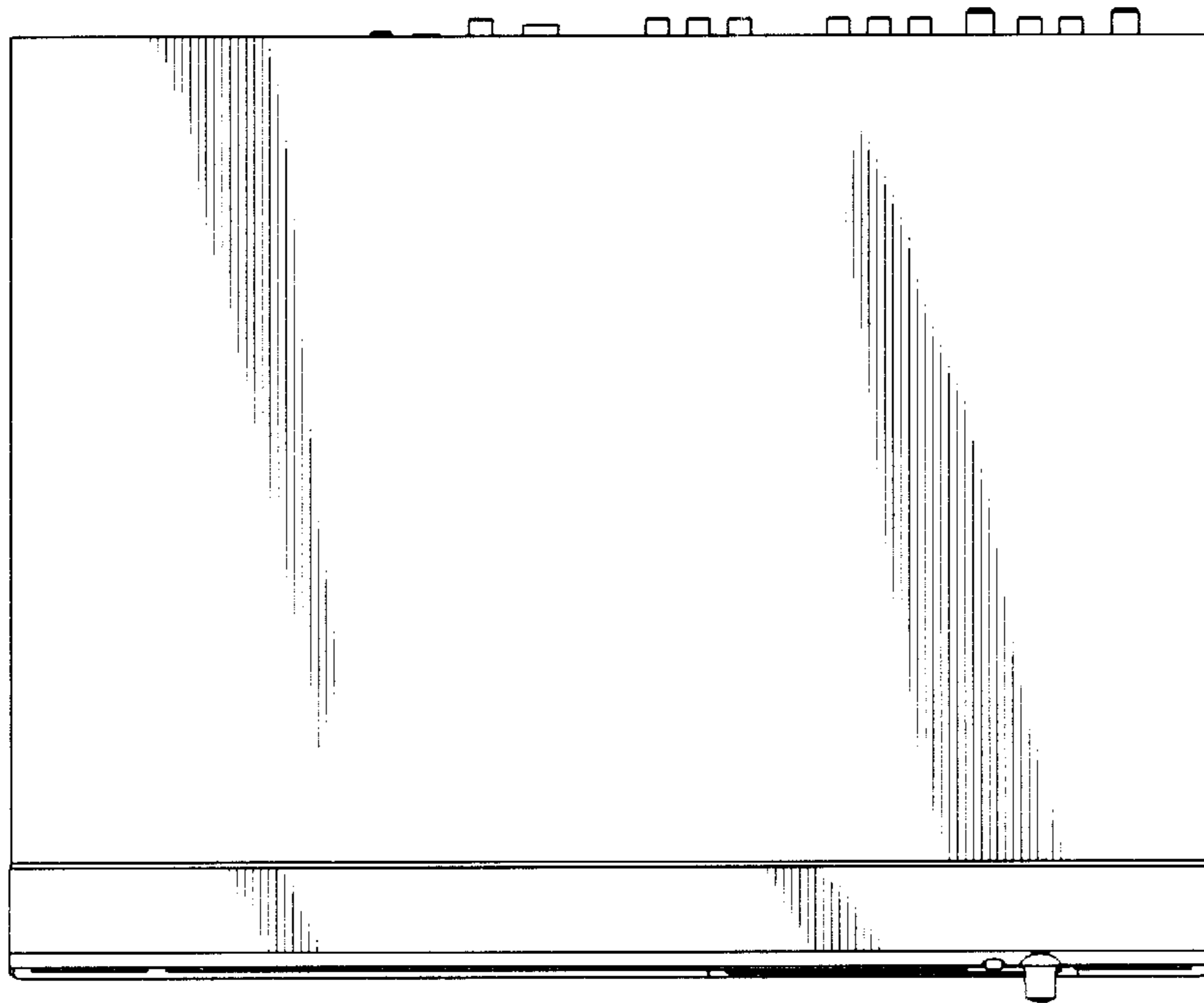


FIG. 5

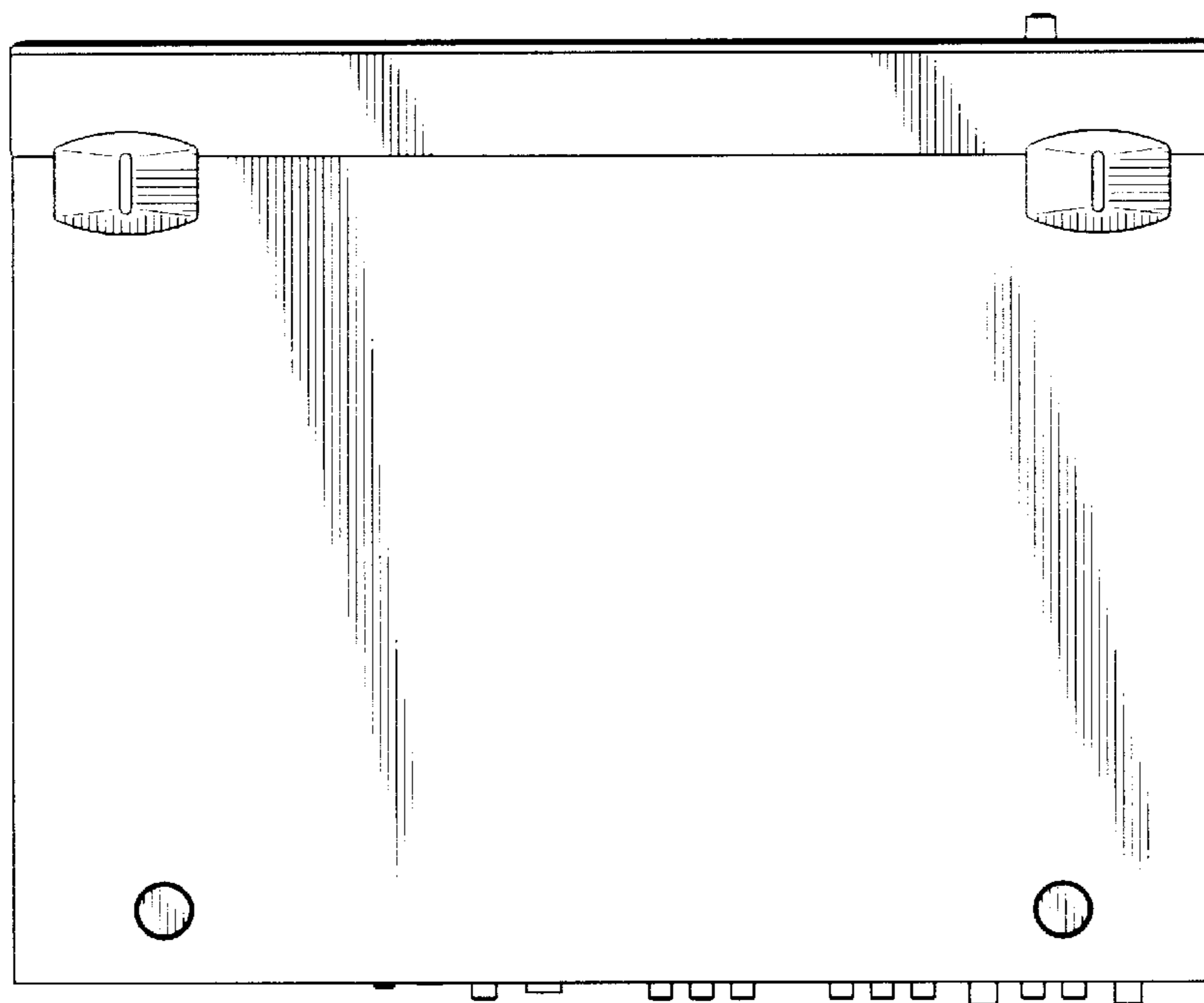


FIG. 6

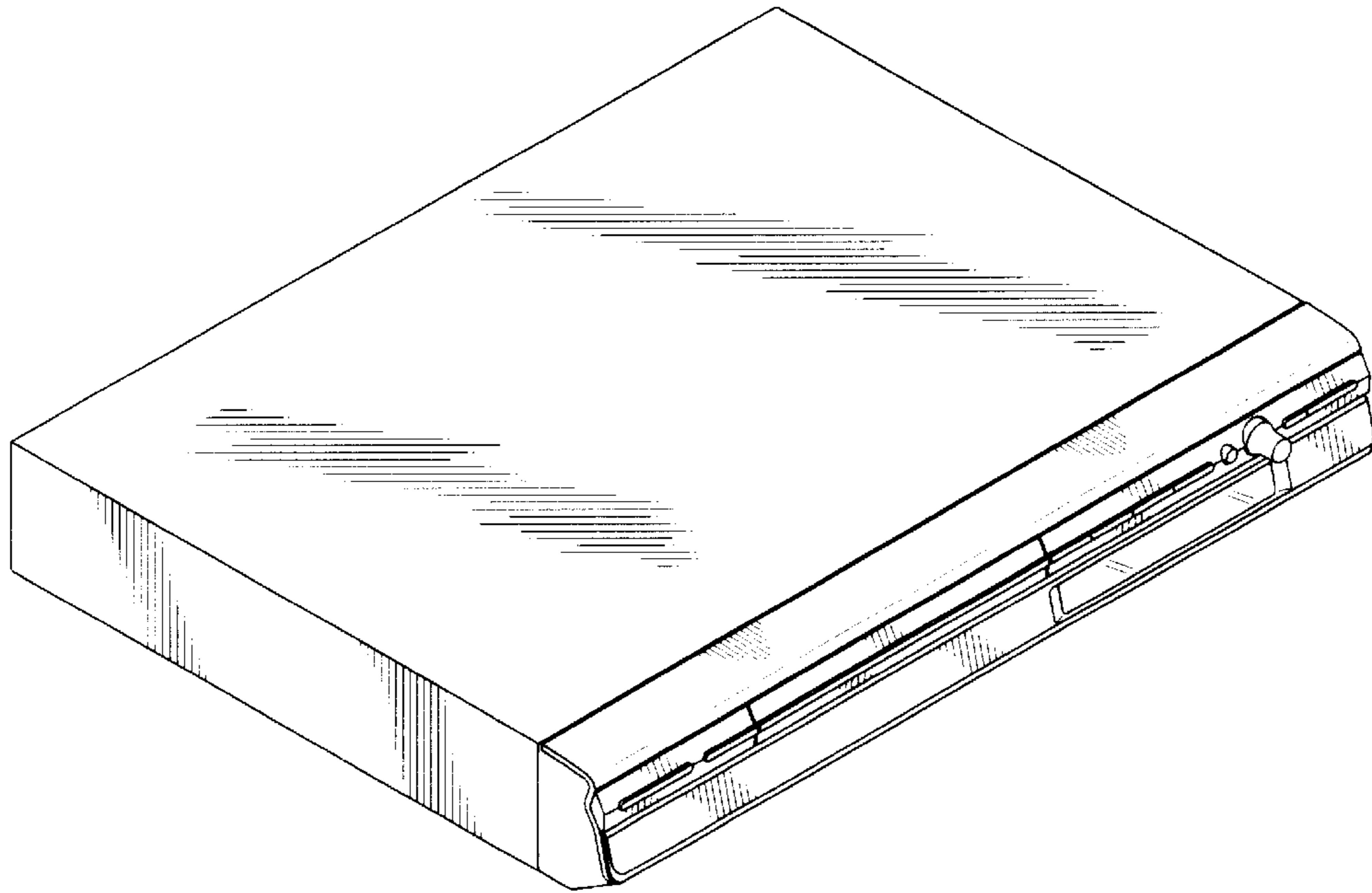


FIG. 7

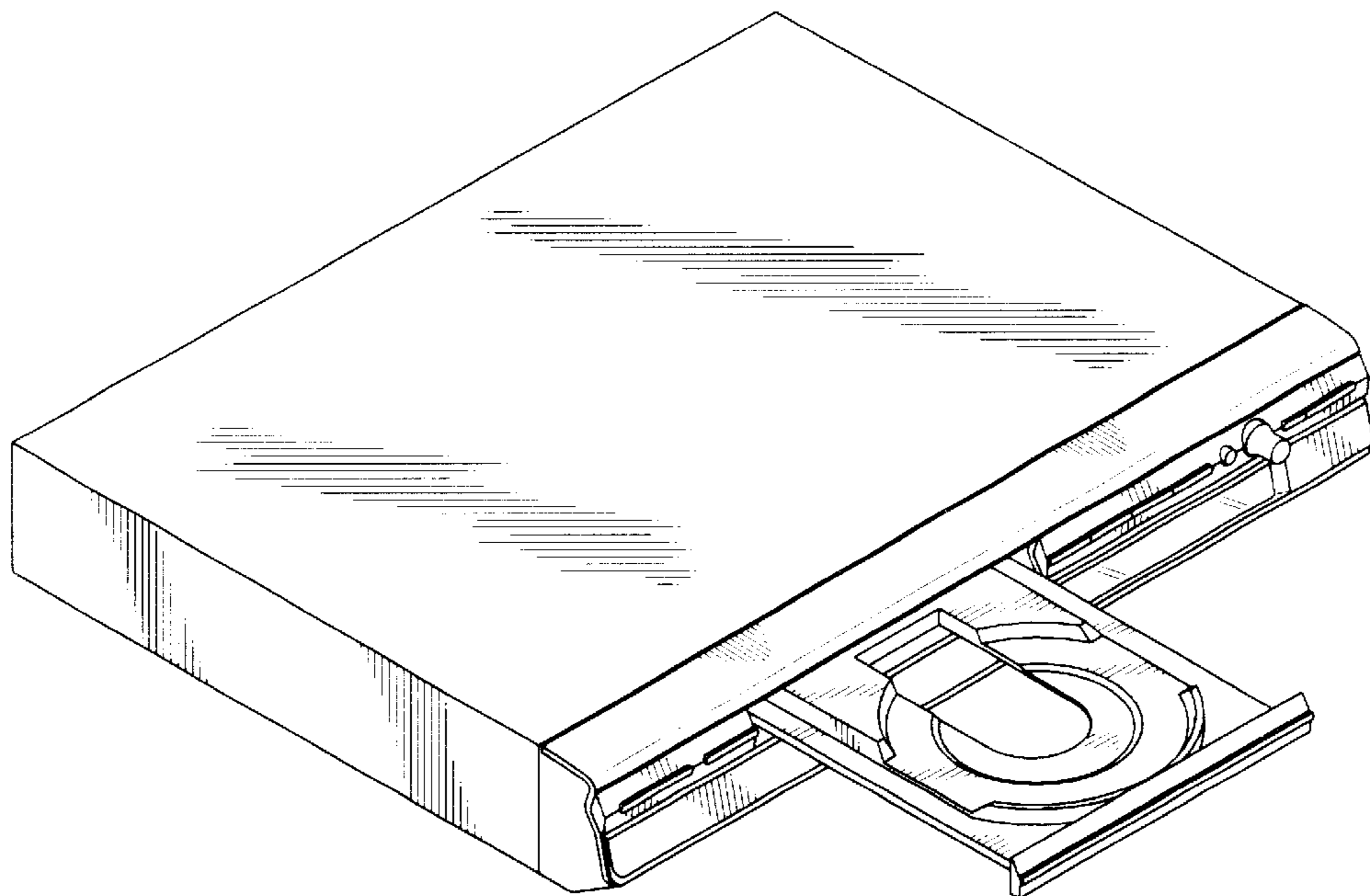


FIG. 8