

US00D497147S1

(12) **United States Design Patent** (10) **Patent No.:** **US D497,147 S**  
**Izu et al.** (45) **Date of Patent:** **\*\* Oct. 12, 2004**

(54) **PROJECTION TELEVISION SET**

**FOREIGN PATENT DOCUMENTS**

(75) Inventors: **Yuichi Izu**, Kawasaki (JP); **Hiroshi Onoda**, Tokyo (JP)

|    |         |        |
|----|---------|--------|
| JP | 927083  | 6/1995 |
| JP | 1043571 | 7/1999 |
| JP | 1079781 | 7/2000 |

(73) Assignee: **Kabushiki Kaisha Toshiba**, Tokyo (JP)

\* cited by examiner

(\*\*) Term: **14 Years**

*Primary Examiner*—Raphael Barkai

(21) Appl. No.: **29/162,619**

(74) *Attorney, Agent, or Firm*—Oblon, Spivak, McClelland, Maier & Neustadt, P.C.

(22) Filed: **Jun. 20, 2002**

(57) **CLAIM**

(30) **Foreign Application Priority Data**

The ornamental design for a projection television set, as shown and described.

Dec. 25, 2001 (JP) ..... 2001-037868

(51) **LOC (7) Cl.** ..... **14-03**

**DESCRIPTION**

(52) **U.S. Cl.** ..... **D14/128**

FIG. 1 is a front, top and right side perspective view of a projection television set, showing our new design;

(58) **Field of Search** ..... D14/126, 128, D14/133; D21/325; 312/7.2; 348/787, 789, 836, 838; 353/47, 74

FIG. 2 is a perspective view thereof with a door of the operation section and that of the storage section opened;

FIG. 3 is a top plan view thereof;

(56) **References Cited**

**U.S. PATENT DOCUMENTS**

|             |   |        |                  |       |          |
|-------------|---|--------|------------------|-------|----------|
| D394,057 S  | * | 5/1998 | Bourgerie        | ..... | D14/128  |
| 5,808,704 A | * | 9/1998 | Yoshikawa et al. | ..... | D348/787 |
| D410,917 S  | * | 6/1999 | Novak et al.     | ..... | D14/133  |
| D413,116 S  | * | 8/1999 | Ishikawa         | ..... | D14/128  |
| D414,177 S  | * | 9/1999 | Tsuge et al.     | ..... | D14/133  |

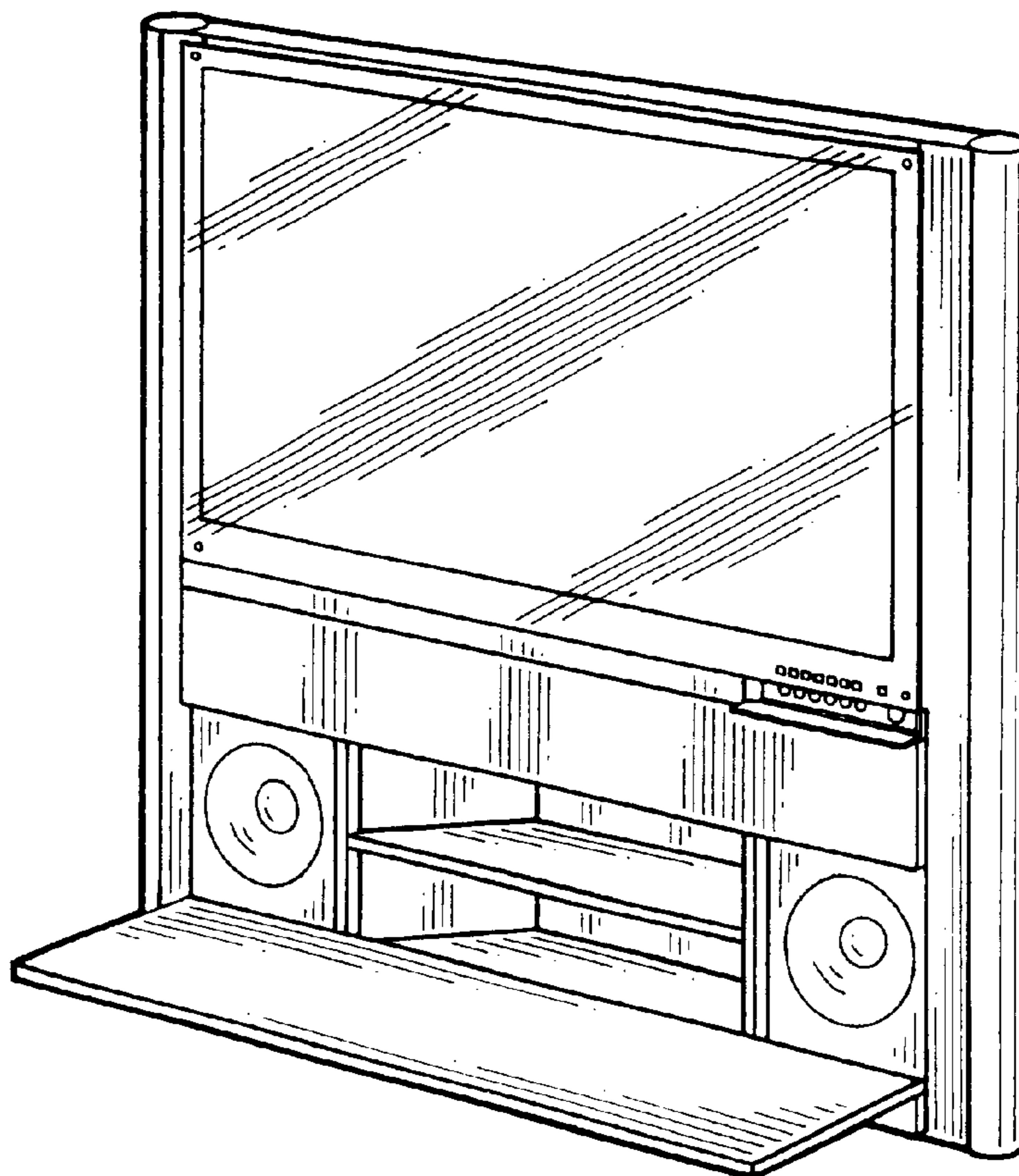
FIG. 4 is a right side elevational view thereof; a left side elevational view being a mirror image thereof;

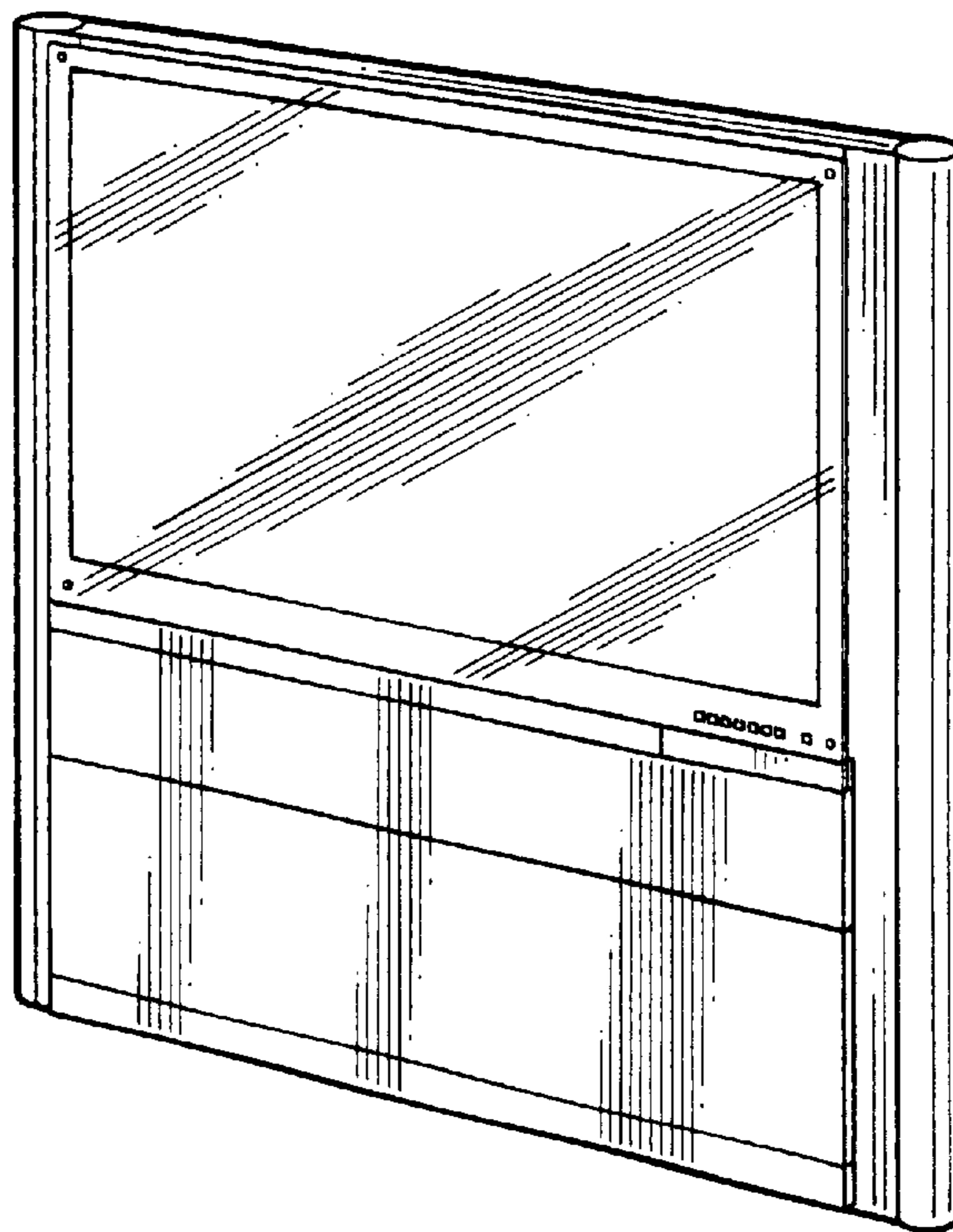
FIG. 5 is a front elevational view thereof;

FIG. 6 is a bottom plan view thereof; and,

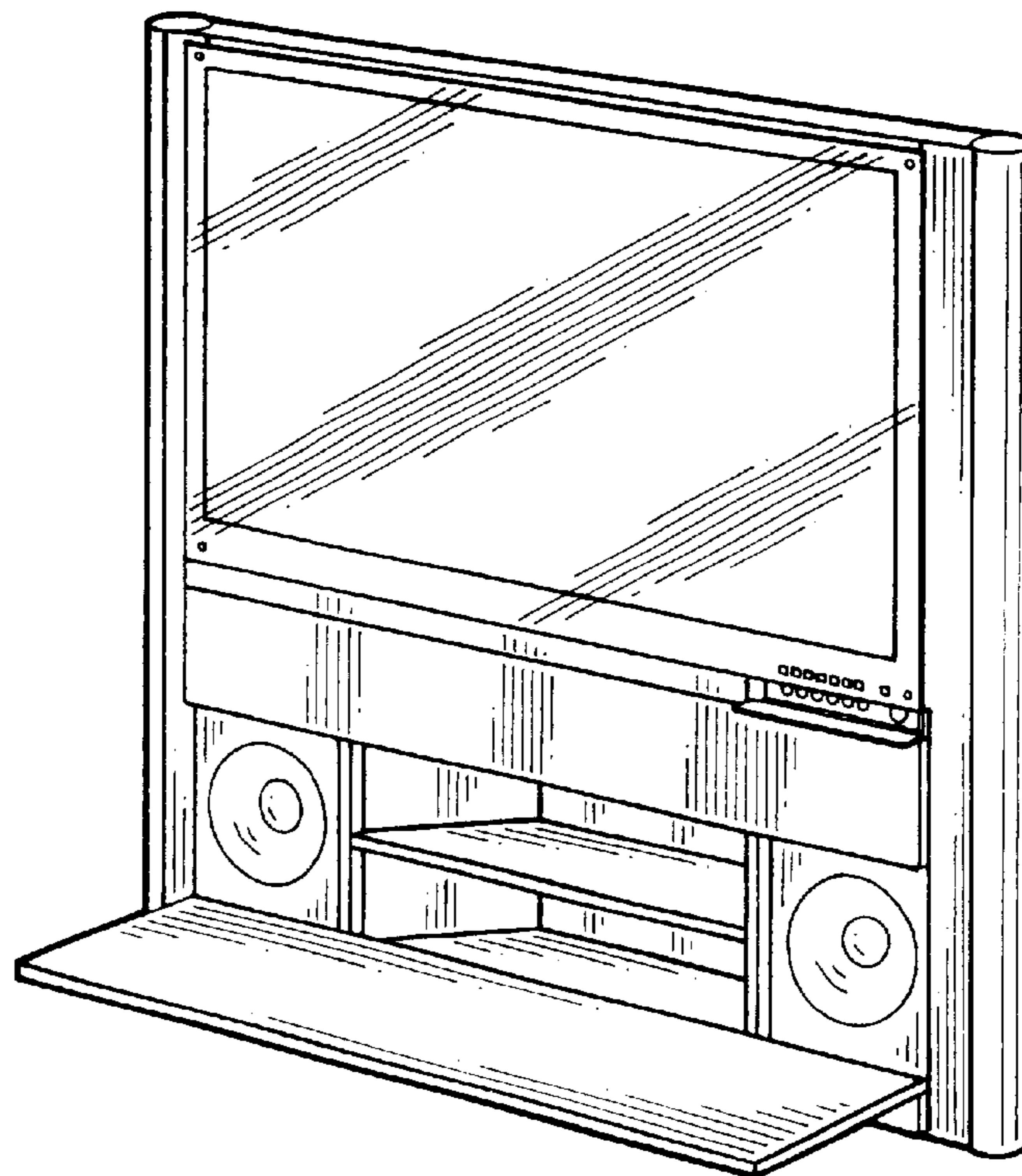
FIG. 7 is a rear elevational view thereof.

**1 Claim, 3 Drawing Sheets**

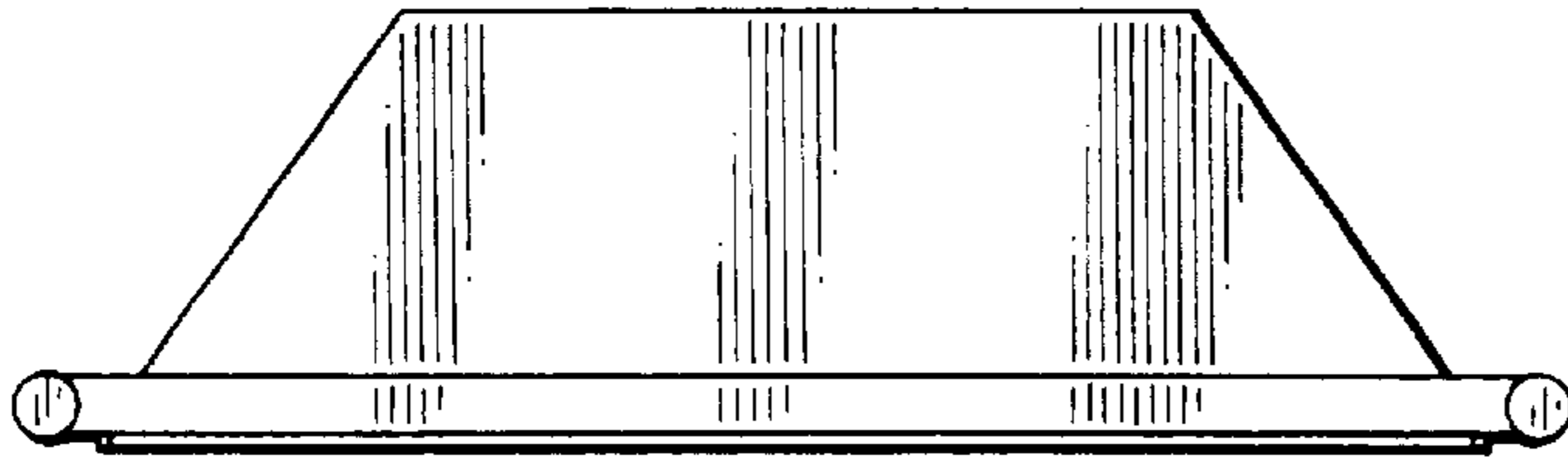




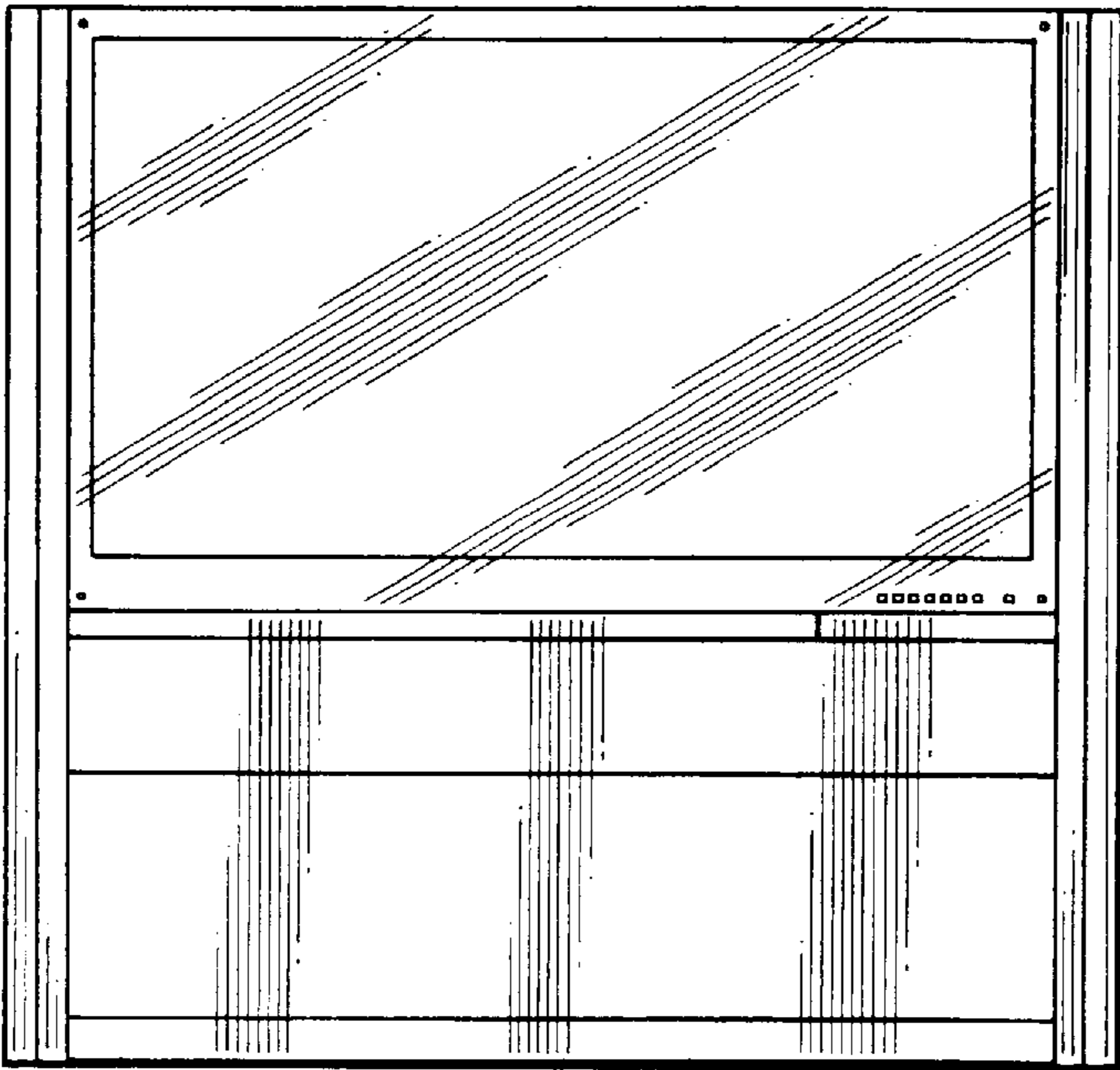
*Fig. 1*



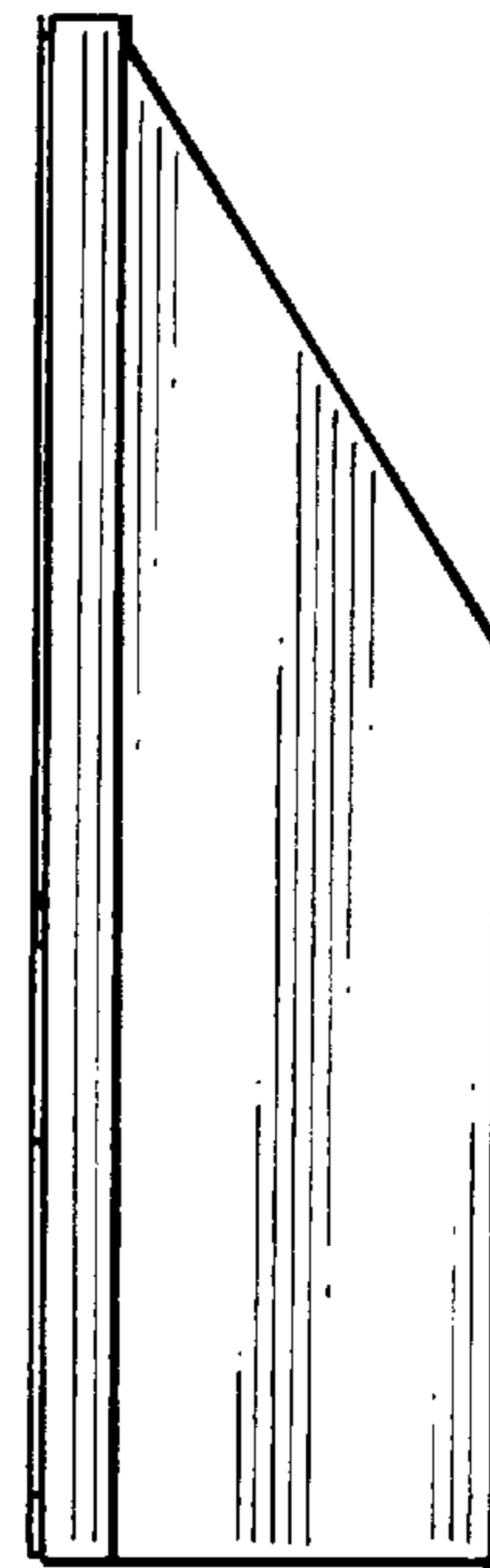
*Fig. 2*



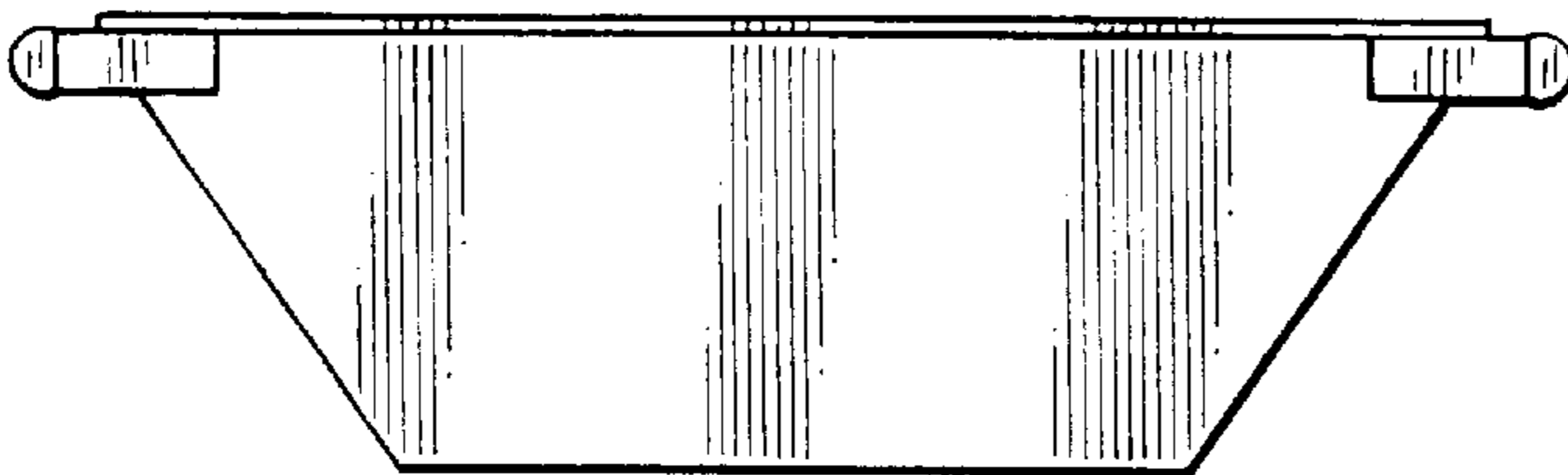
*Fig. 3*



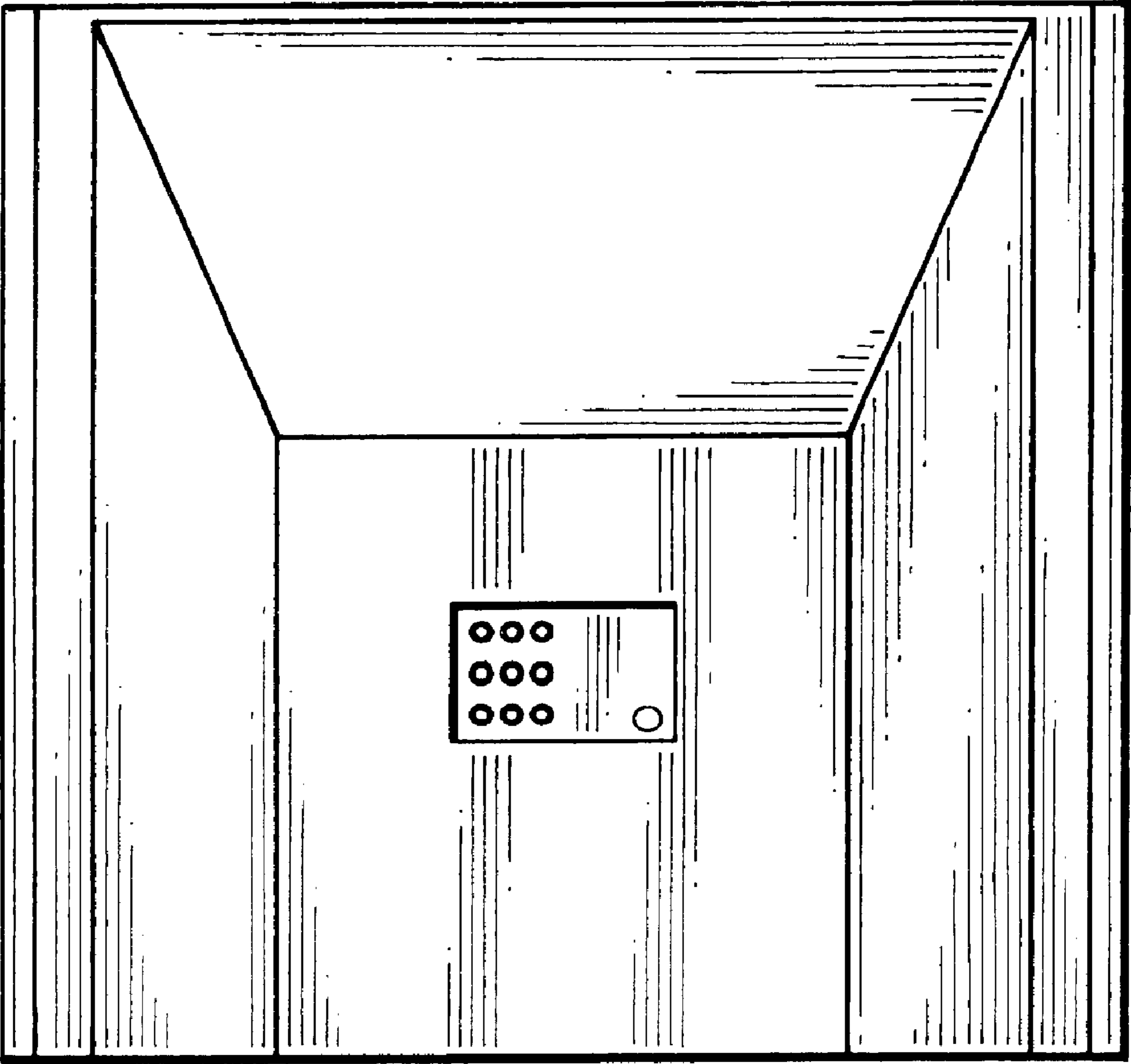
*Fig. 5*



*Fig. 4*



*Fig. 6*



*Fig. 7*