

US00D497141S1

(12) **United States Design Patent**
Higgins

(10) **Patent No.:** **US D497,141 S**
(45) **Date of Patent:** **** Oct. 12, 2004**

(54) **SKEG PROTECTOR**

(75) Inventor: **Rickey Lynn Higgins**, Huntington, TX
(US)

(73) Assignee: **Megaware Keelguard, Inc.**, Ogden,
UT (US)

(**) Term: **14 Years**

(21) Appl. No.: **29/185,244**

(22) Filed: **Jun. 23, 2003**

Related U.S. Application Data

(63) Continuation-in-part of application No. 29/160,048, filed on
May 2, 2002, now Pat. No. Des. 476,288.

(51) **LOC (7) Cl.** **12-06**

(52) **U.S. Cl.** **D12/317**

(58) **Field of Search** D12/317; 440/76;
114/219

(56) **References Cited**

U.S. PATENT DOCUMENTS

4,909,172 A 3/1990 Hamby
5,018,997 A 5/1991 Guptill
5,178,565 A 1/1993 Jacobsen

5,277,632 A 1/1994 Davis
6,192,818 B1 2/2001 Rogers-Smith
D476,288 S * 6/2003 Higgins D12/317

* cited by examiner

Primary Examiner—Lisa Lichtenstein
(74) *Attorney, Agent, or Firm*—TraskBritt

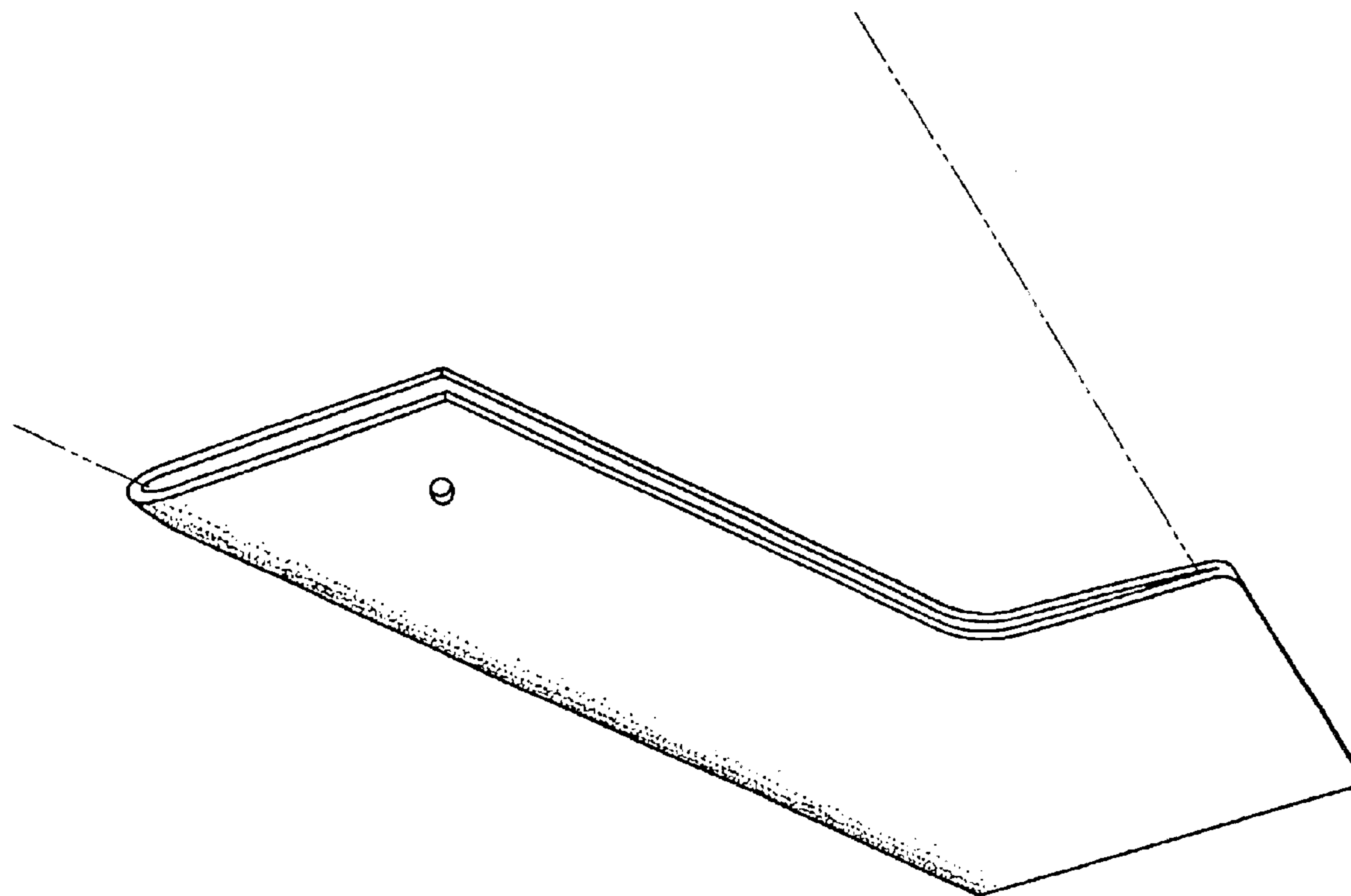
(57) **CLAIM**

The ornamental design for a skeg protector, as shown and
described.

DESCRIPTION

FIG. 1 is a perspective view of a skeg protector showing my
new design;
FIG. 2 is a side view of the skeg protector shown in FIG. 1;
FIG. 3 is another side view of the skeg protector shown in
FIG. 1;
FIG. 4 is a bottom end view of the skeg protector shown in
FIG. 1;
FIG. 5 is a top end view of the skeg protector shown in FIG.
1;
FIG. 6 is a top plan view of the skeg protector shown in FIG.
1; and,
FIG. 7 is a bottom plan view of the skeg protector shown in
FIG. 1.

1 Claim, 2 Drawing Sheets



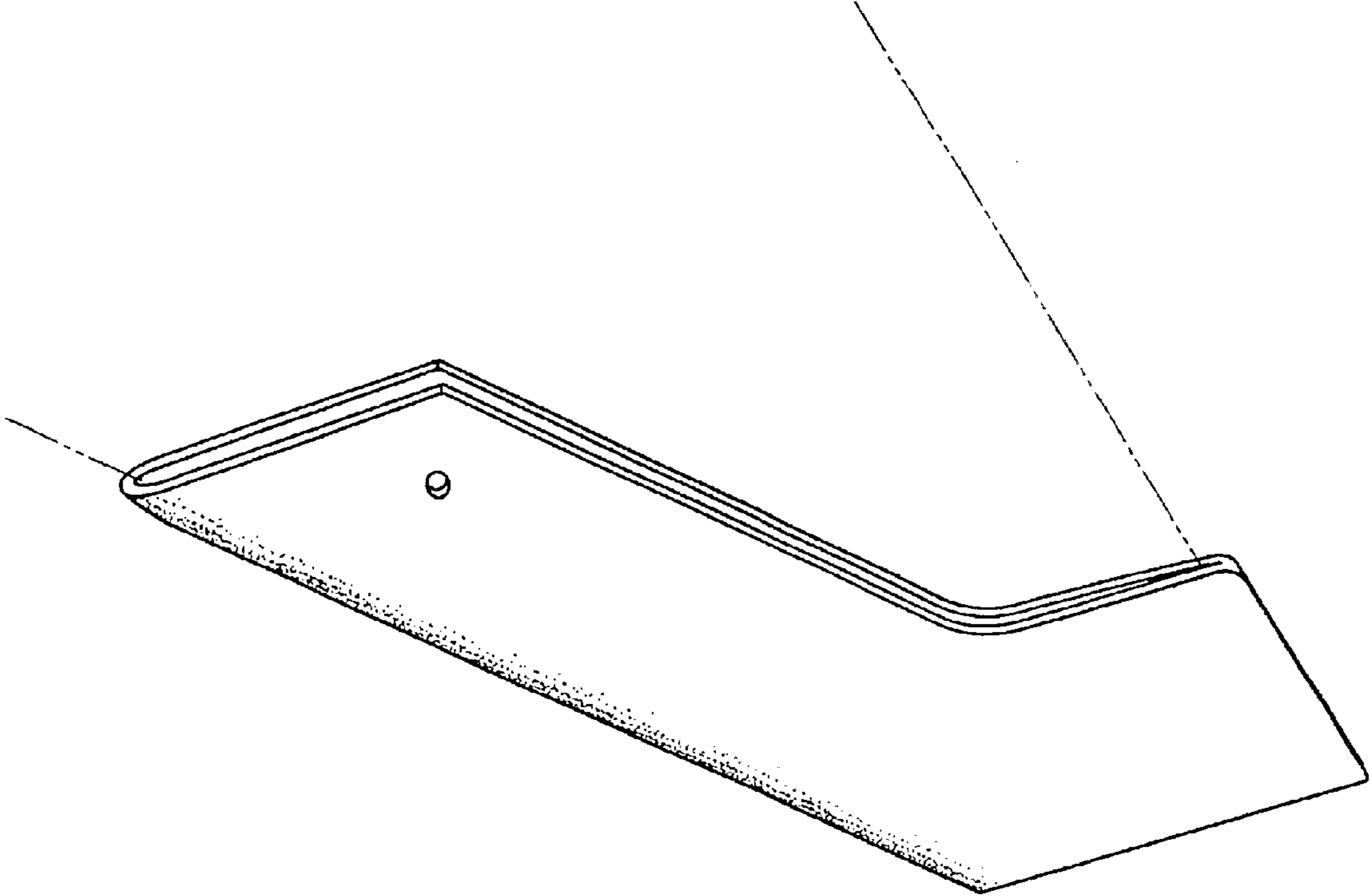


Fig. 1

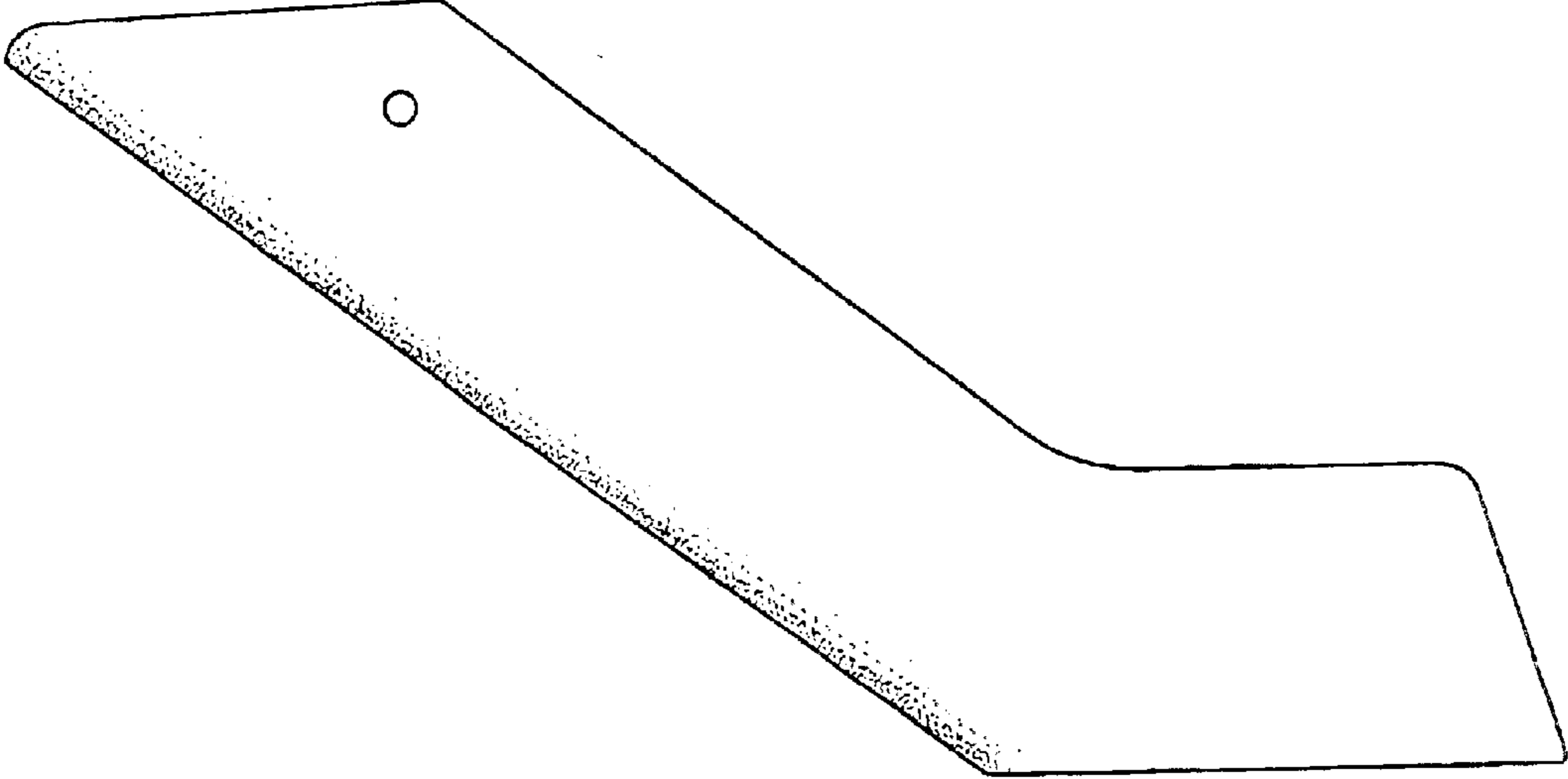


Fig. 2

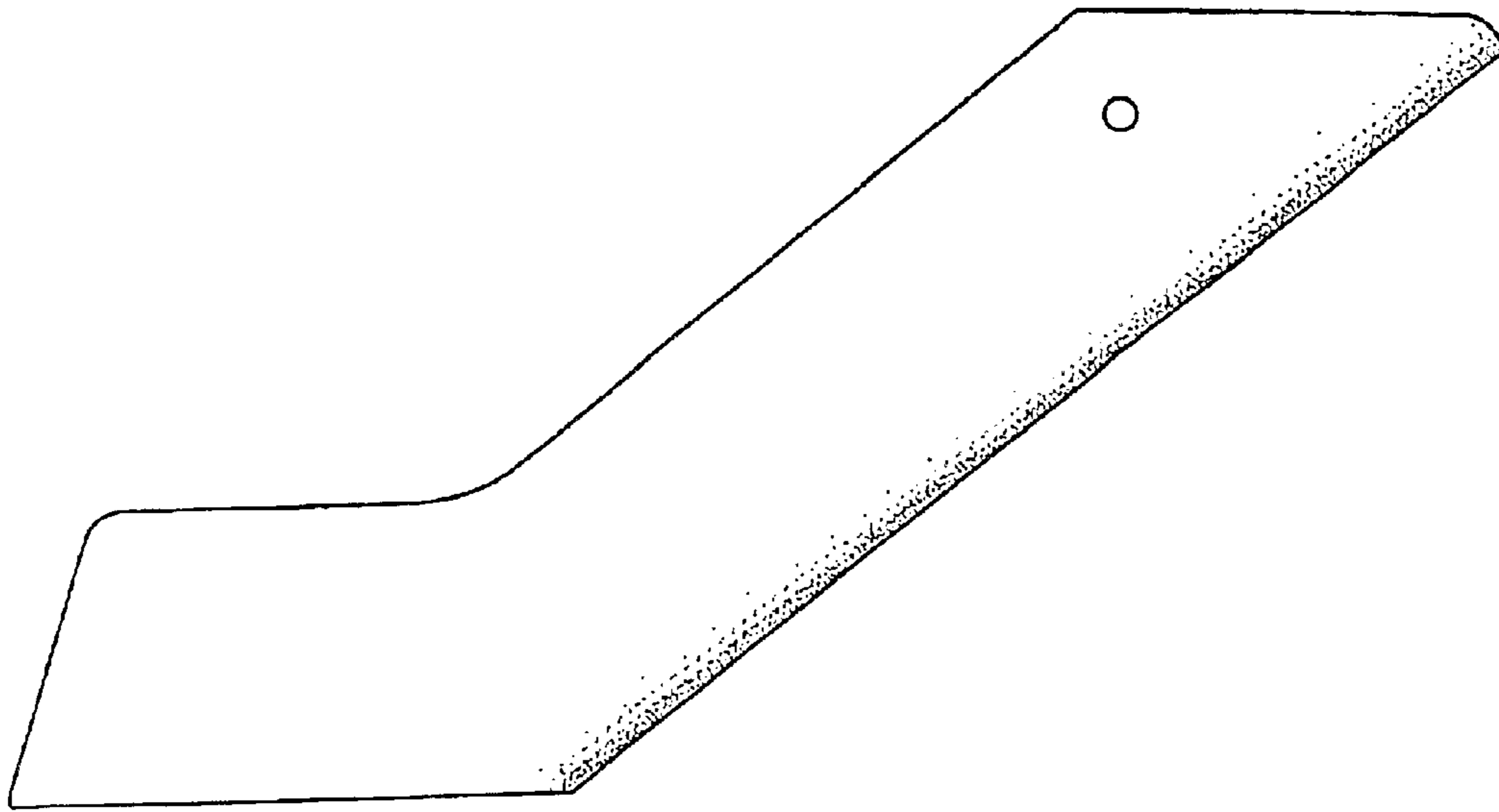


Fig. 3



Fig. 4



Fig. 5

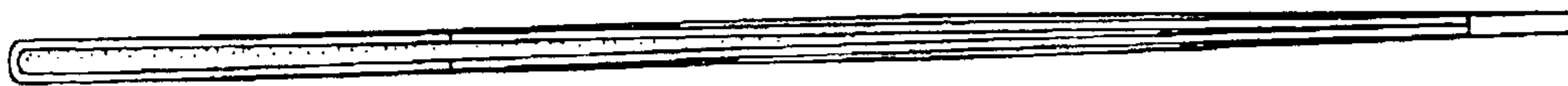


Fig. 6

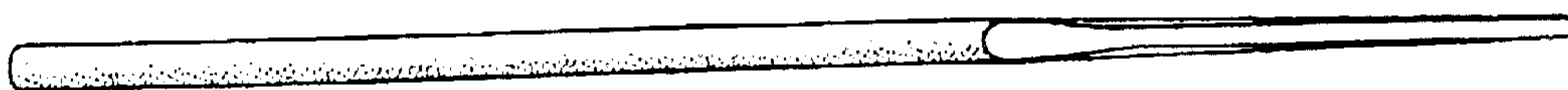


Fig. 7