

US00D497130S1

(12) **United States Design Patent** (10) **Patent No.:** **US D497,130 S**
Perfetti et al. (45) **Date of Patent:** **** Oct. 12, 2004**

(54) **FAIRING TRIM PIECE FOR AN OVER THE HIGHWAY TRUCK**

(75) Inventors: **Ruben Perfetti**, Greensboro, NC (US);
John Martin, Madison, NC (US);
Michael Sorrells, Greensboro, NC (US)

(73) Assignee: **Volvo Trucks North America, Inc.**,
Greensboro, NC (US)

(**) Term: **14 Years**

(21) Appl. No.: **29/186,473**

(22) Filed: **Jul. 16, 2003**

(51) **LOC (7) Cl.** **12-16**

(52) **U.S. Cl.** **D12/196**

(58) **Field of Search** D12/196, 96, 97;
296/180.1, 180.2, 181, 190, 89.14, 89.16

(56) **References Cited**

U.S. PATENT DOCUMENTS

- D433,981 S * 11/2000 Davis et al. D12/196
- D437,570 S * 2/2001 Meryman et al. D12/96
- D455,990 S * 4/2002 Mobius D12/196
- D460,023 S * 7/2002 Beigel D12/96

OTHER PUBLICATIONS

1 page section of a story board used by the inventors of the present application depicting competing trucks that were on

the market when this design was completed 1990 . . . Kenworth Trucks to the year 2000.

* cited by examiner

Primary Examiner—Melody N. Brown
(74) *Attorney, Agent, or Firm*—Watts Hoffmann Co.

(57) **CLAIM**

The ornamental design for a fairing trim piece for an over the highway truck, as shown and described.

DESCRIPTION

FIG. 1 is a perspective view of the fairing trim piece for an over the highway truck of our new design;

FIG. 2 is a perspective view of the fairing trim piece;

FIG. 3 is a top plan view of the fairing trim piece;

FIG. 4 is a front elevational view of the fairing trim piece;

FIG. 5 is a right side elevational view of the fairing trim piece;

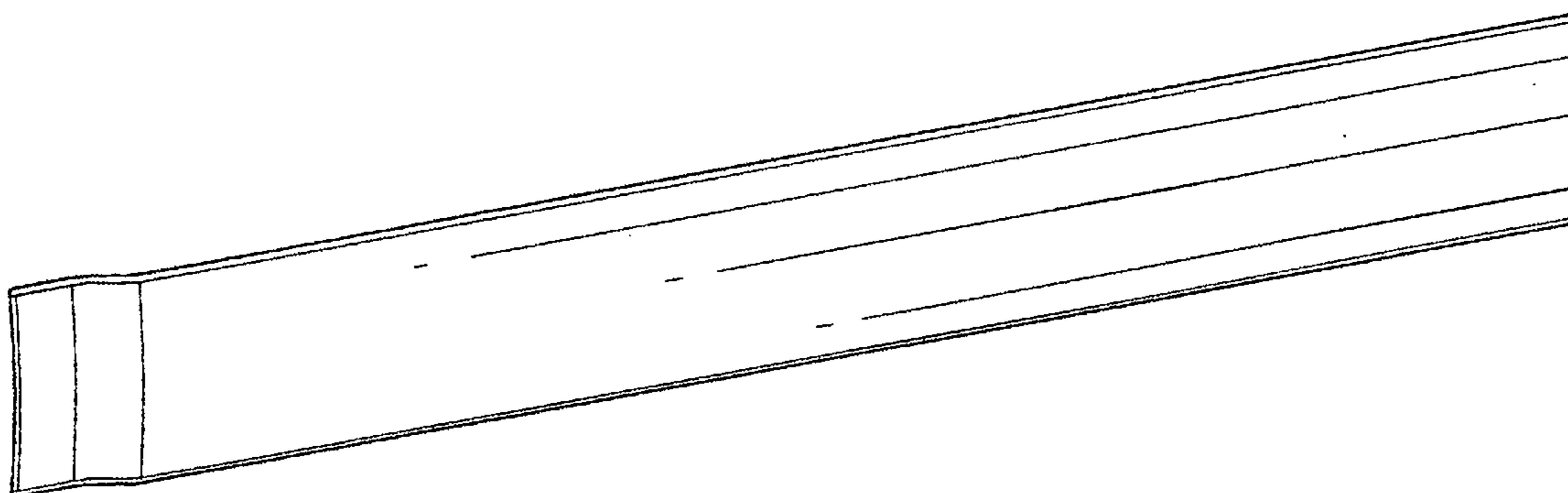
FIG. 6 is a rear elevational view of the fairing trim piece;

FIG. 7 is a left side elevational view of the fairing trim piece; and,

FIG. 8 is a bottom plan view of the fairing trim piece.

The broken lines shown are for illustrative purposes only and form no part of the claimed design.

1 Claim, 3 Drawing Sheets



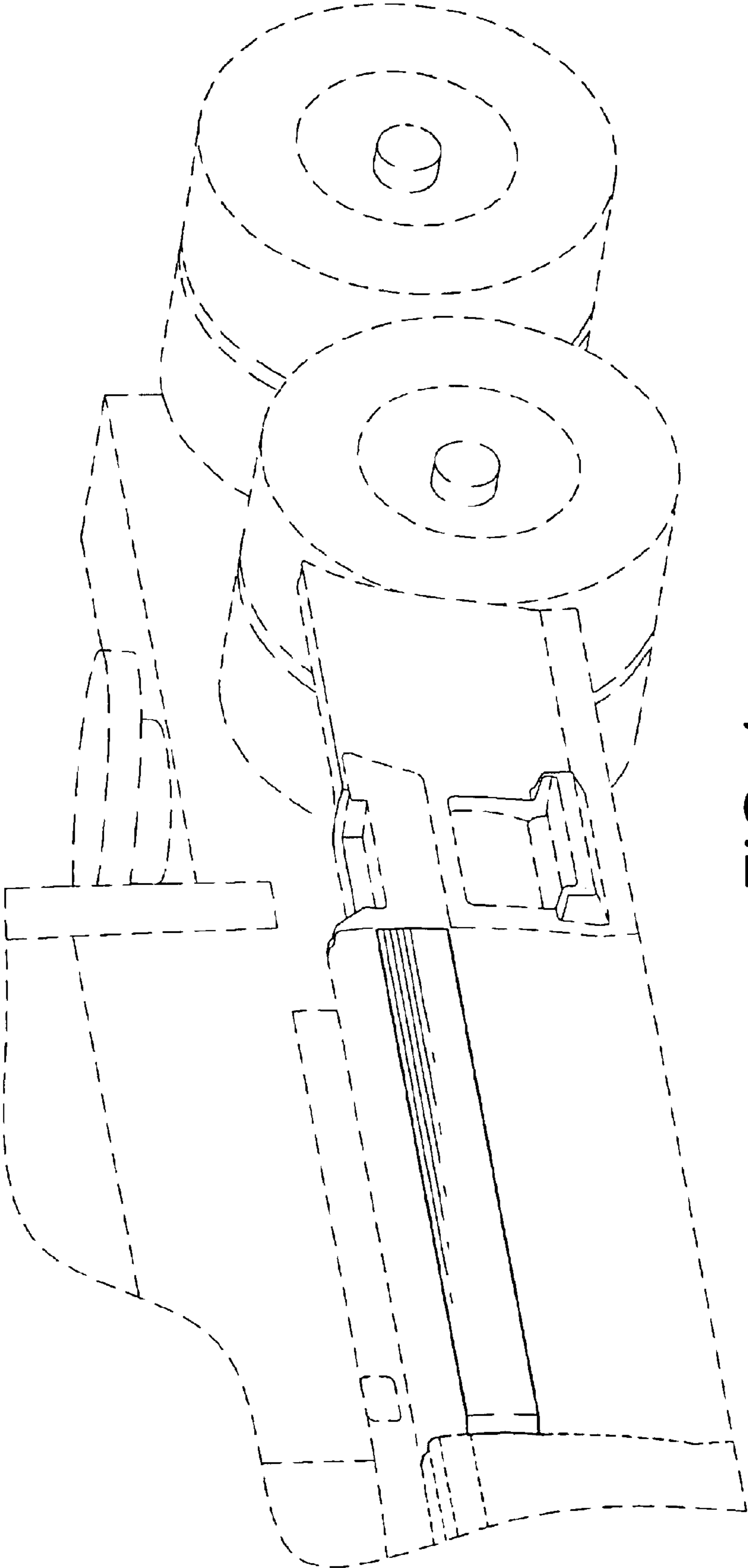


FIG. 1

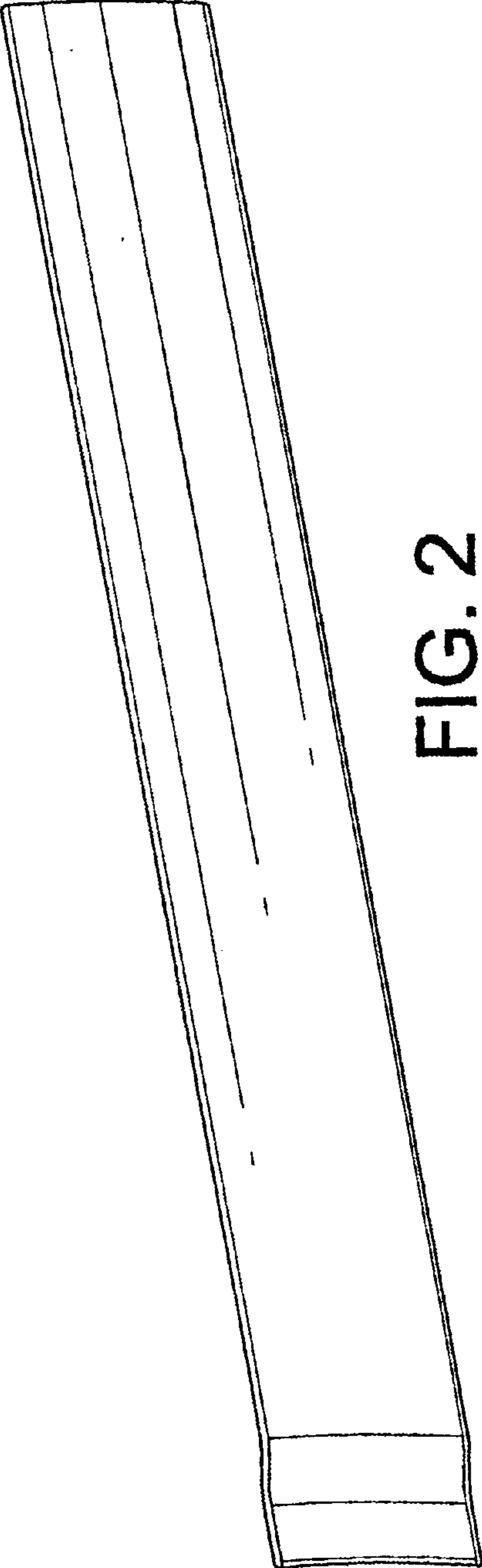


FIG. 2



FIG. 3

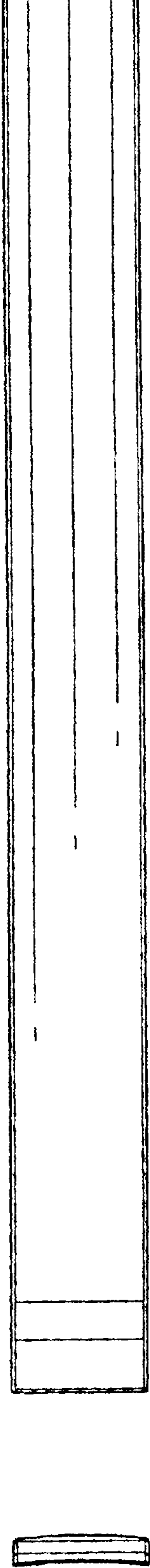


FIG. 5

FIG. 4

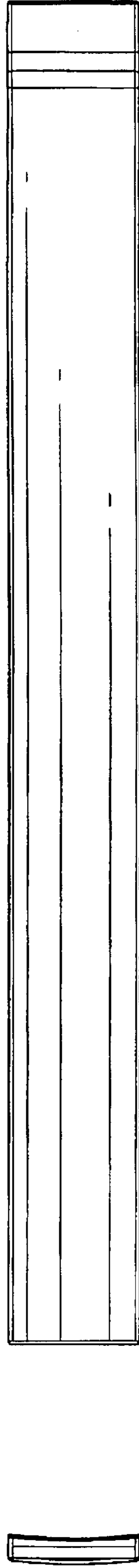


FIG. 6

FIG. 7

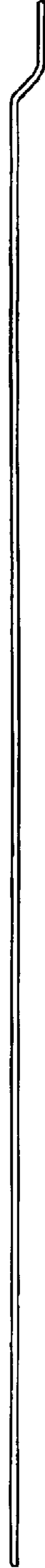


FIG. 8