

US00D497122S1

(12) **United States Design Patent**  
**Uenaka**

(10) **Patent No.:** **US D497,122 S**  
(45) **Date of Patent:** **\*\* Oct. 12, 2004**

(54) **FOLDING BICYCLE**

(75) Inventor: **Hiroto Uenaka**, Osaka (JP)

(73) Assignee: **Index Inc.**, Osaka (JP)

(\*\*) Term: **14 Years**

(21) Appl. No.: **29/190,724**

(22) Filed: **Sep. 26, 2003**

(30) **Foreign Application Priority Data**

Sep. 2, 2003 (JP) ..... 2003-025473

(51) **LOC (7) Cl.** ..... **12-11**

(52) **U.S. Cl.** ..... **D12/111**

(58) **Field of Search** ..... D12/111; 280/274,  
280/276, 278, 281.1, 287, 288.1, 288.3

(56) **References Cited**

**U.S. PATENT DOCUMENTS**

5,590,895 A \* 1/1997 Hiramoto ..... 280/278  
6,047,981 A \* 4/2000 Burrows ..... 280/276  
6,267,401 B1 \* 7/2001 De Jong ..... 280/287

\* cited by examiner

*Primary Examiner*—Alan P. Douglas

*Assistant Examiner*—Linda Brooks

(74) *Attorney, Agent, or Firm*—Armstrong, Kratz, Quintos,  
Hanson, & Brooks, LLP

(57) **CLAIM**

The ornamental design for a folding bicycle, as shown and described.

**DESCRIPTION**

FIG. 1 is a right side view of the folding bicycle of the present invention;

FIG. 2 is a left side view thereof;

FIG. 3 is a rear view thereof;

FIG. 4 is a front view thereof;

FIG. 5 is a top view thereof;

FIG. 6 is a bottom view thereof;

FIG. 7 is a perspective view thereof;

FIG. 8 is another elevational view thereof;

FIG. 9 is a view of FIG. 1 shown in a folded position;

FIG. 10 is a view shown in another folded position;

FIG. 11 is a view shown in yet another folded position;

FIG. 12 is a view shown in a further folded position;

FIG. 13 is a view shown in yet a further folded position;

FIG. 14 is a view shown in still a further folded position; and,

FIG. 15 is a view shown in final folded position.

The claimed design is embodied in the collective appearance of the folding bicycle as seen in FIGS. 1 through 15. The folding bicycle is shown without the front and rear tires in FIGS. 9–15 for convenience of illustration.

**1 Claim, 8 Drawing Sheets**

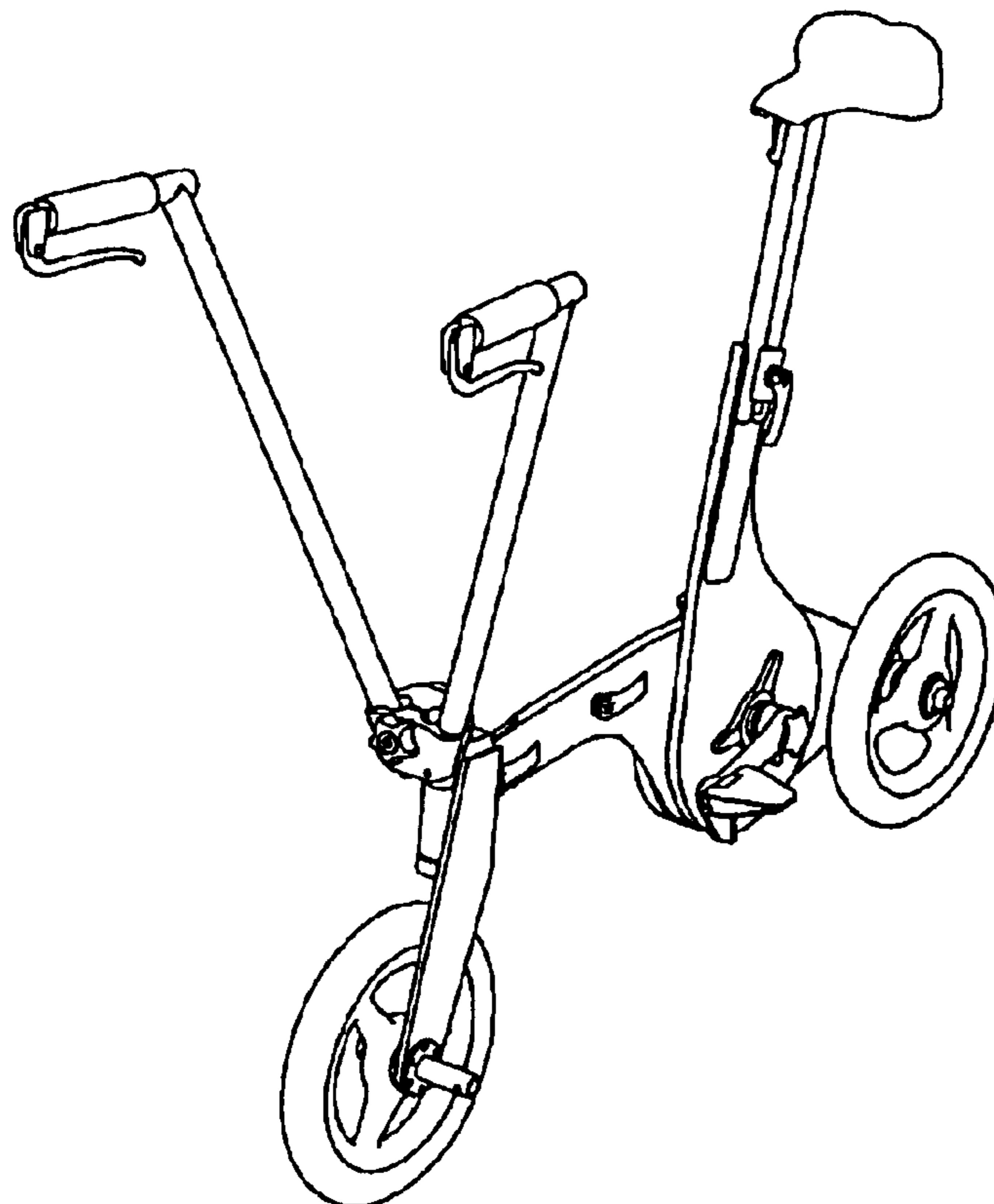


Fig. 1

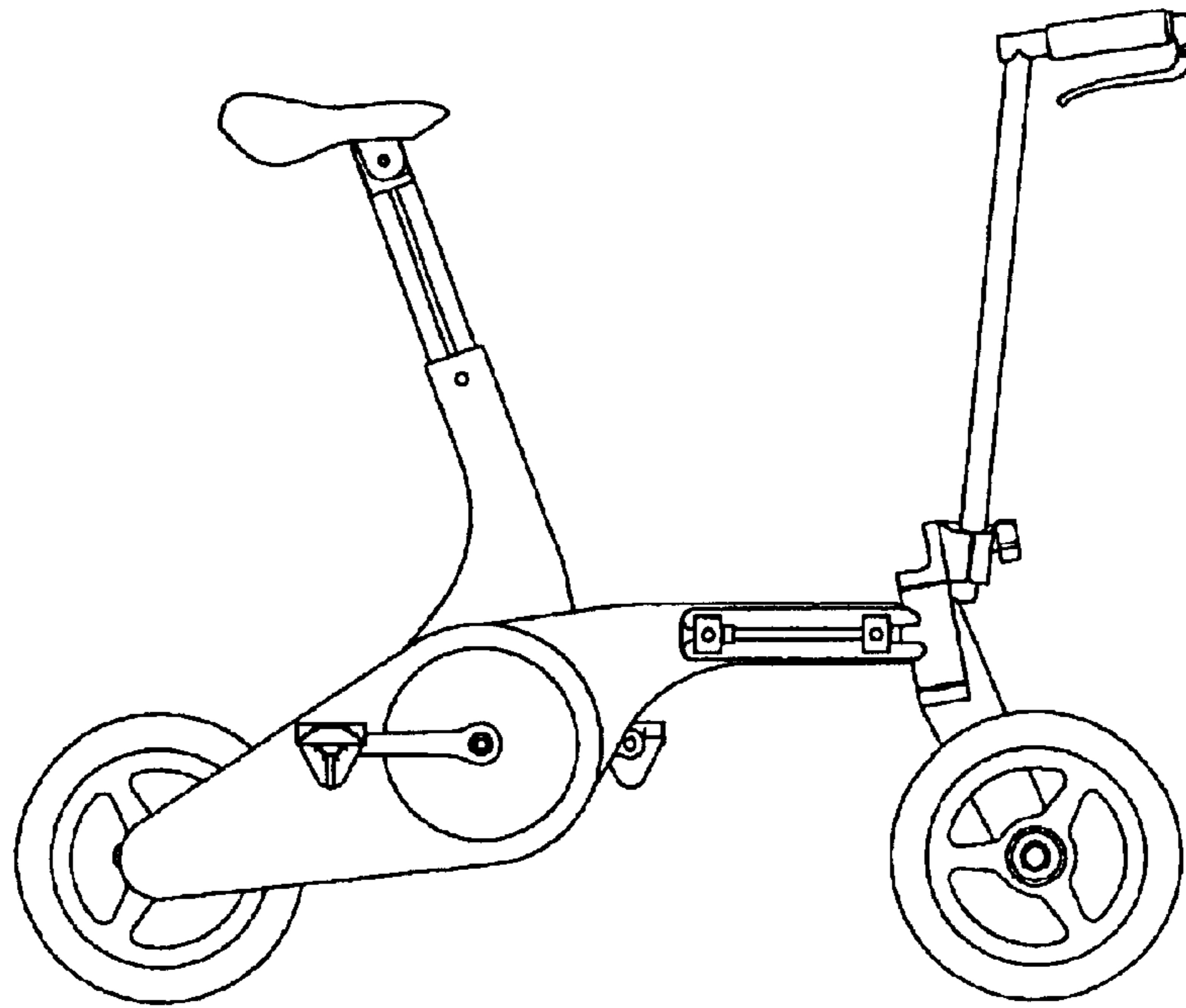


Fig. 2

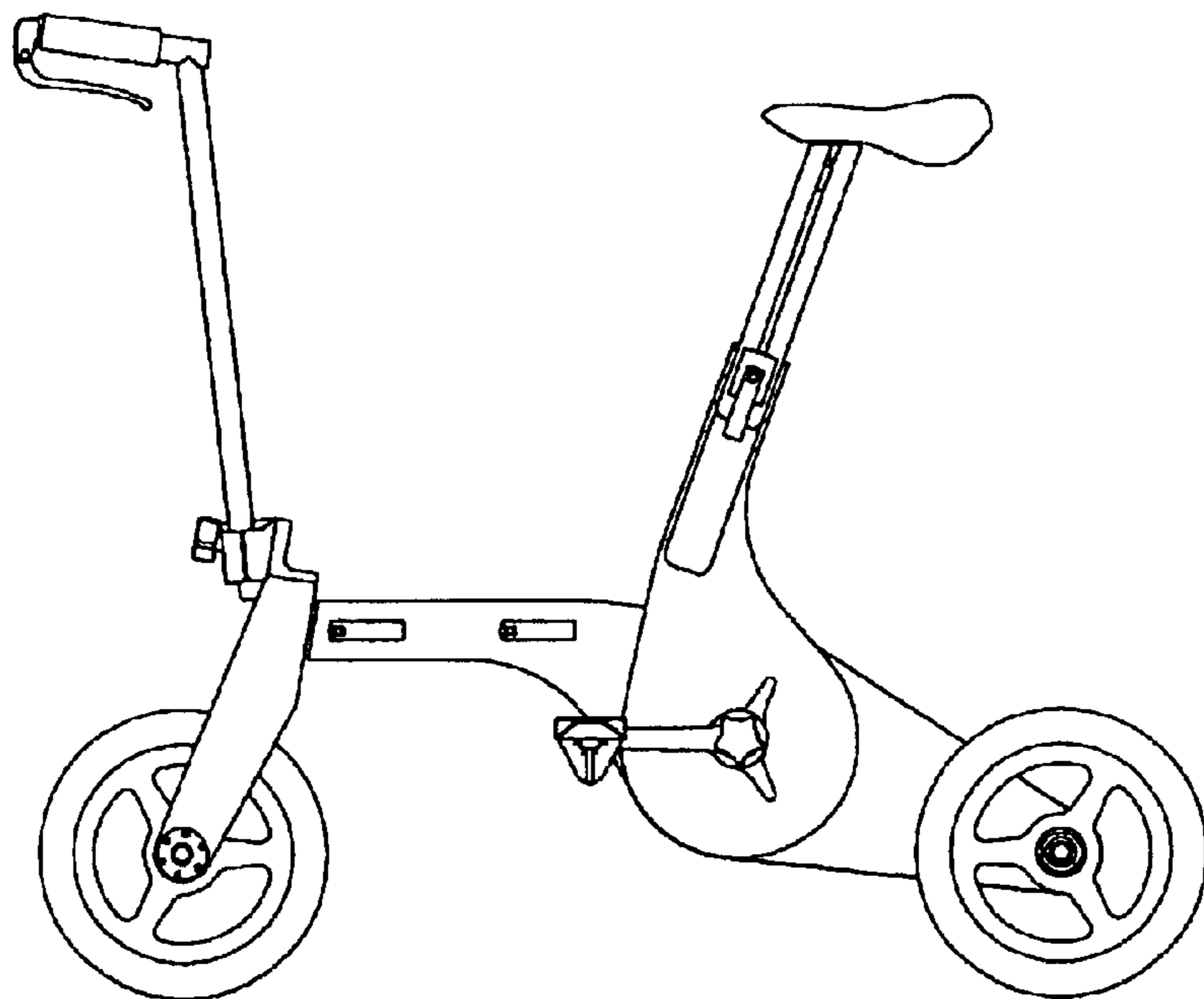


Fig. 3

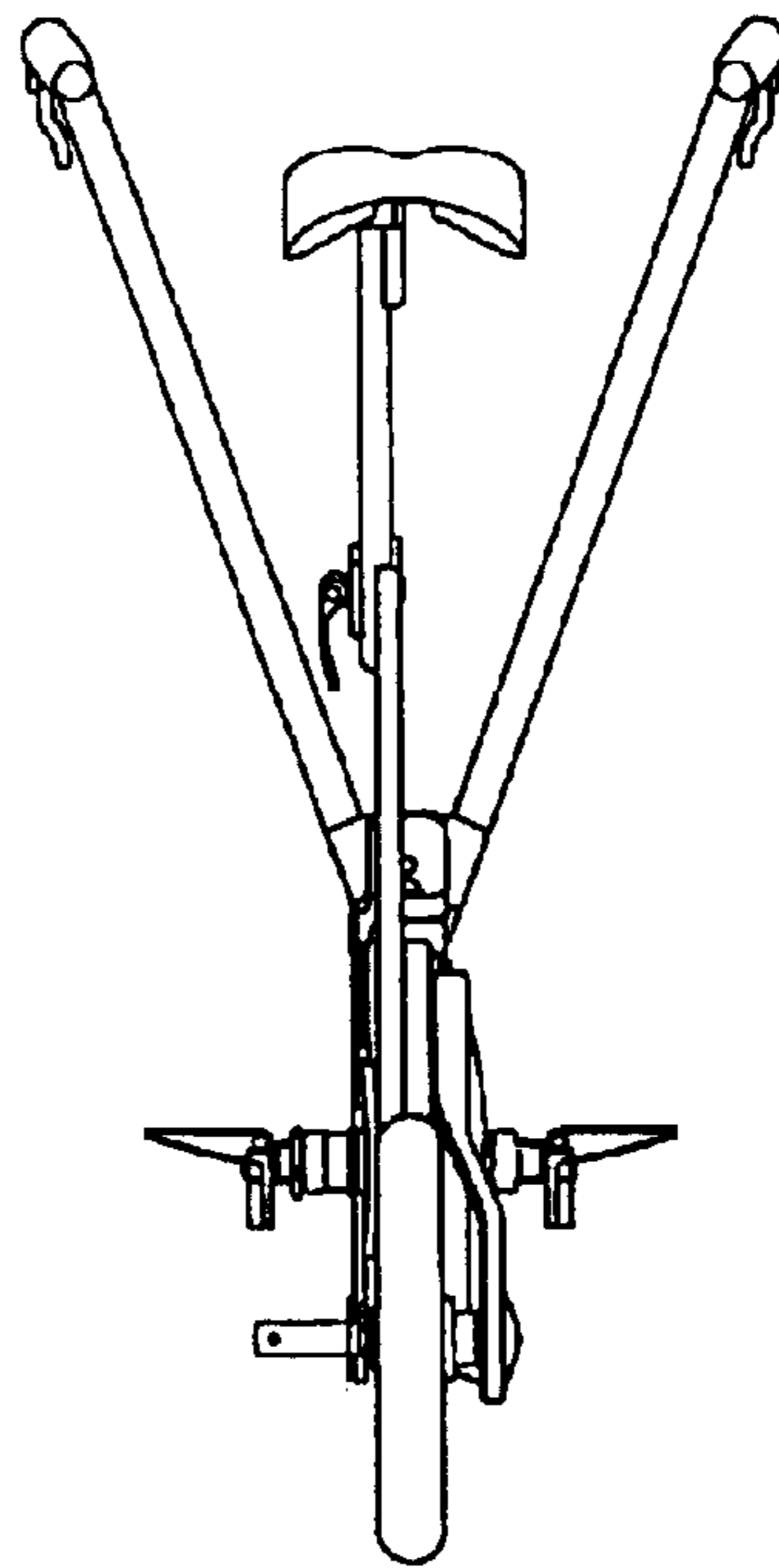


Fig. 4

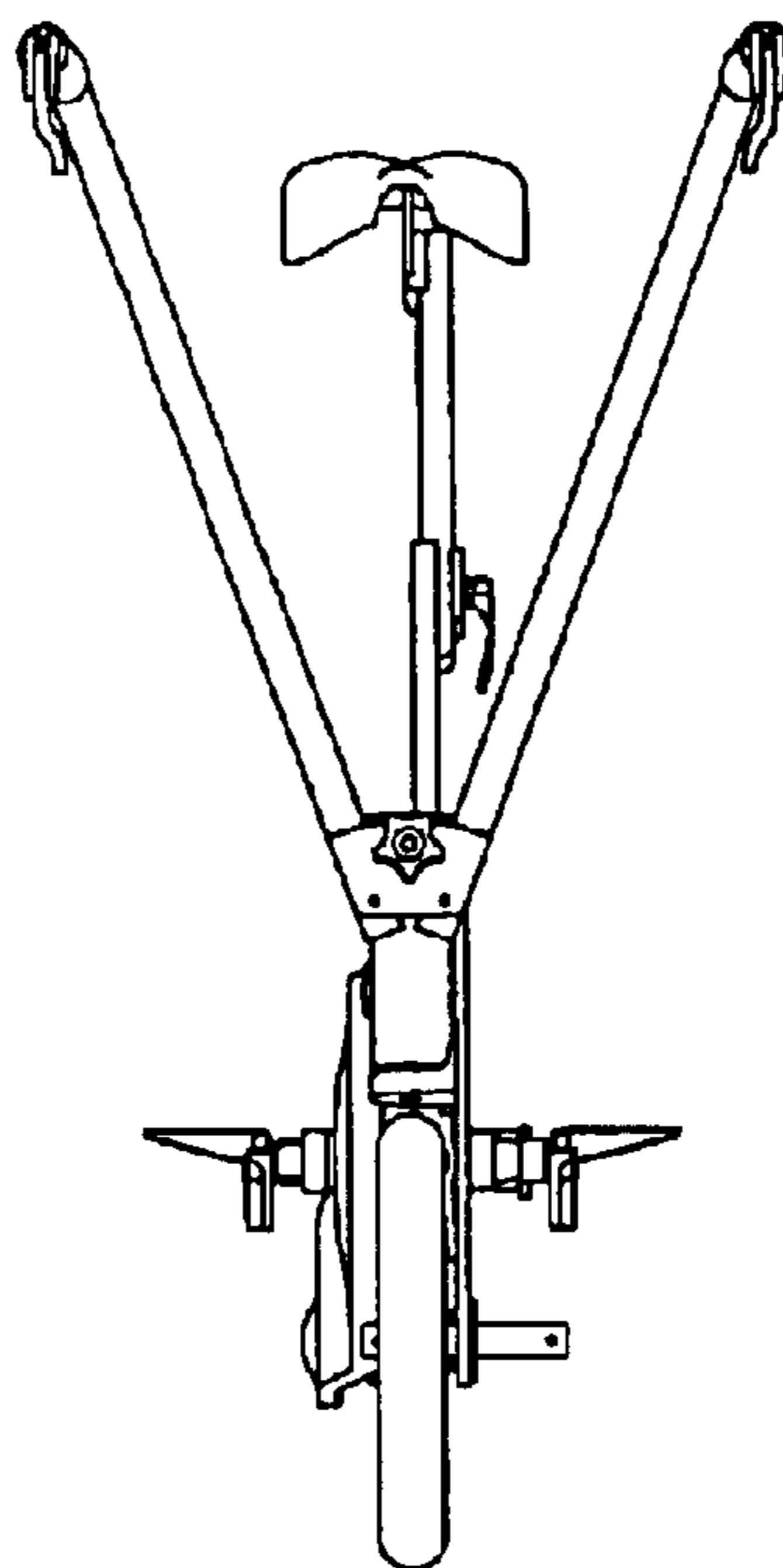


Fig. 5

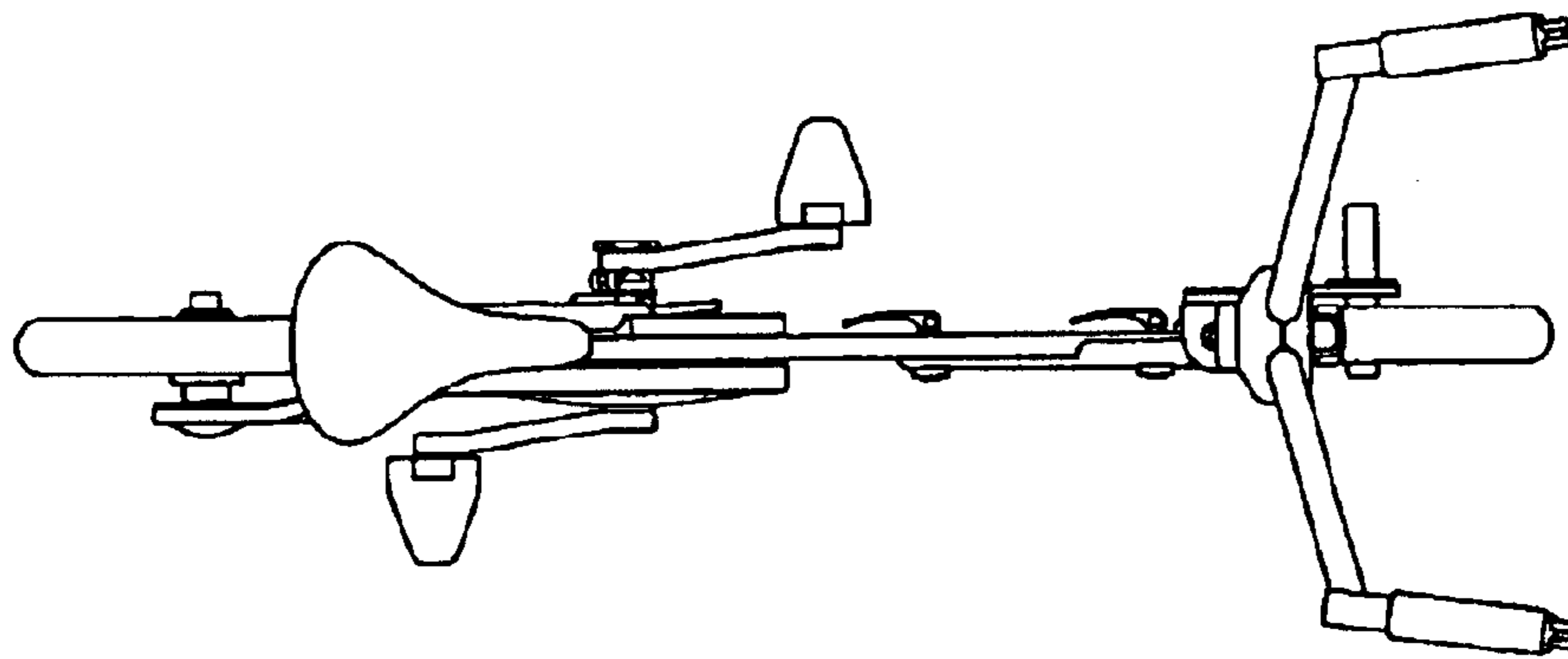


Fig. 6

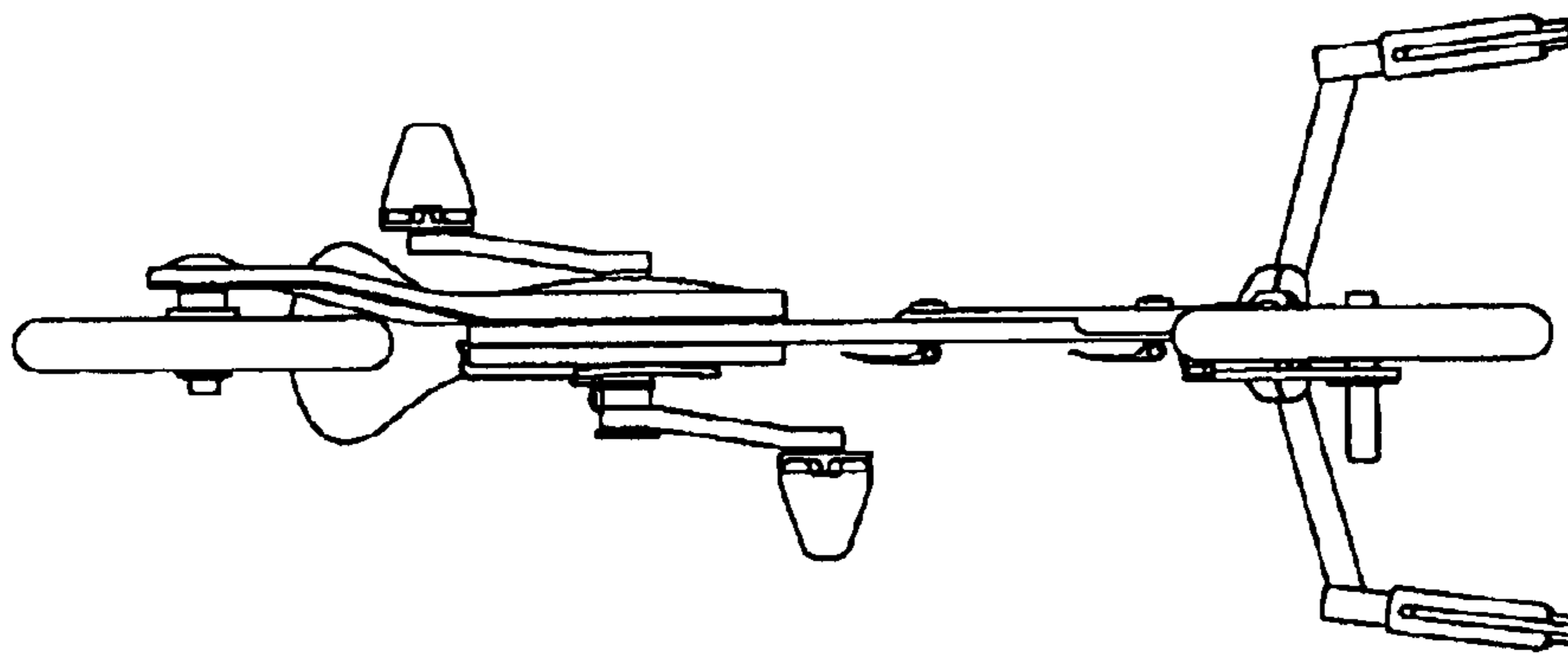


Fig. 7

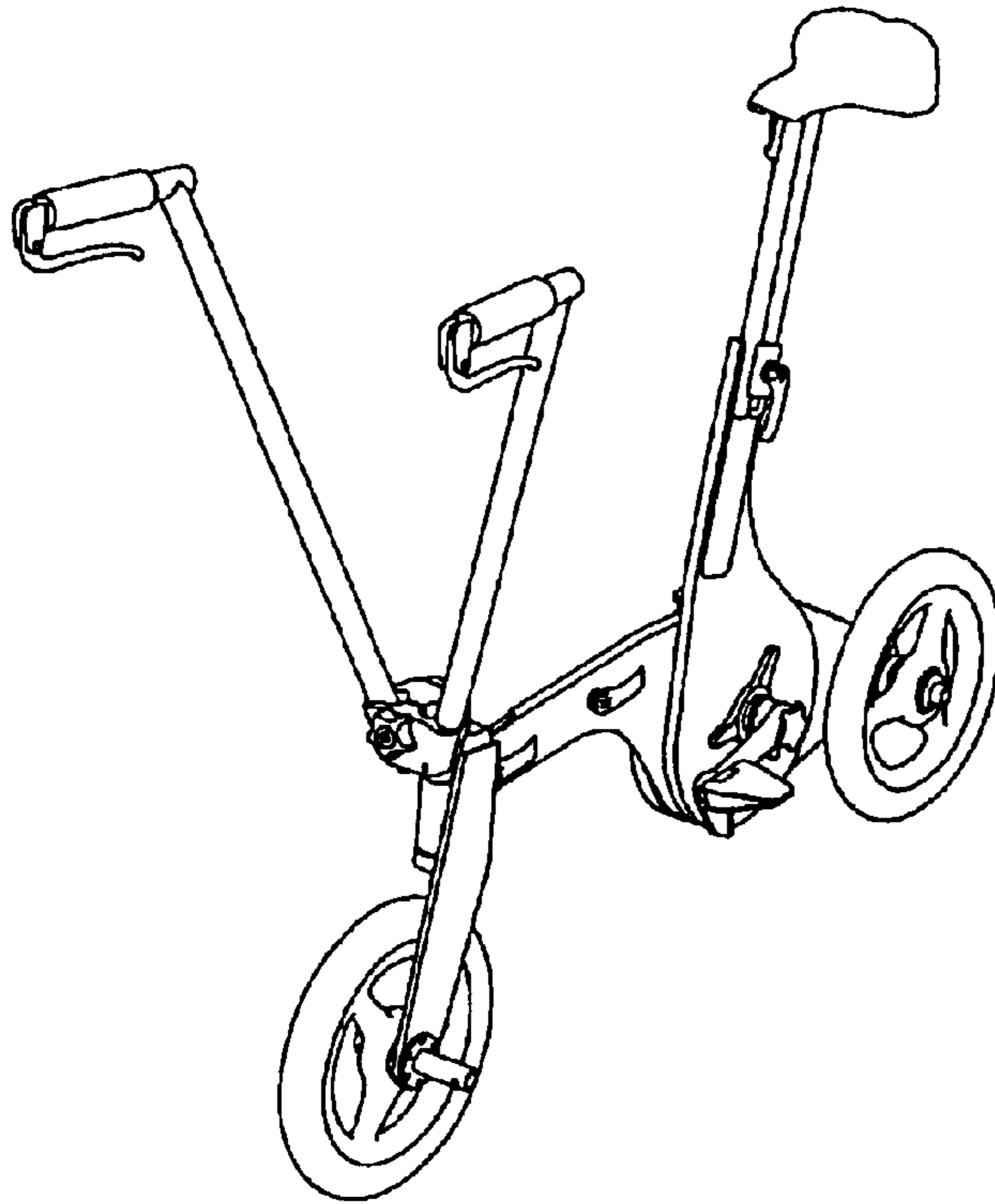


Fig. 8

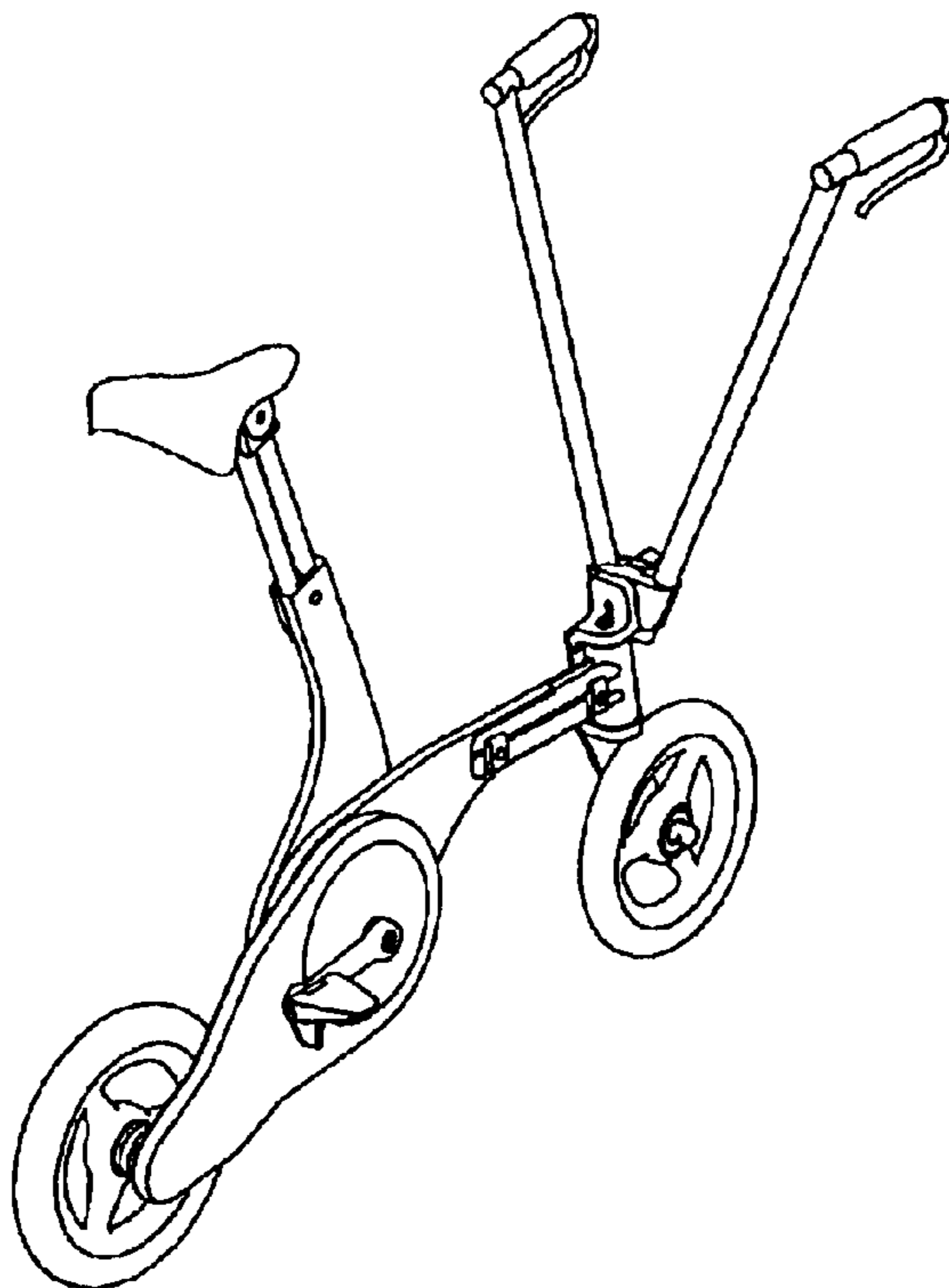


Fig. 9

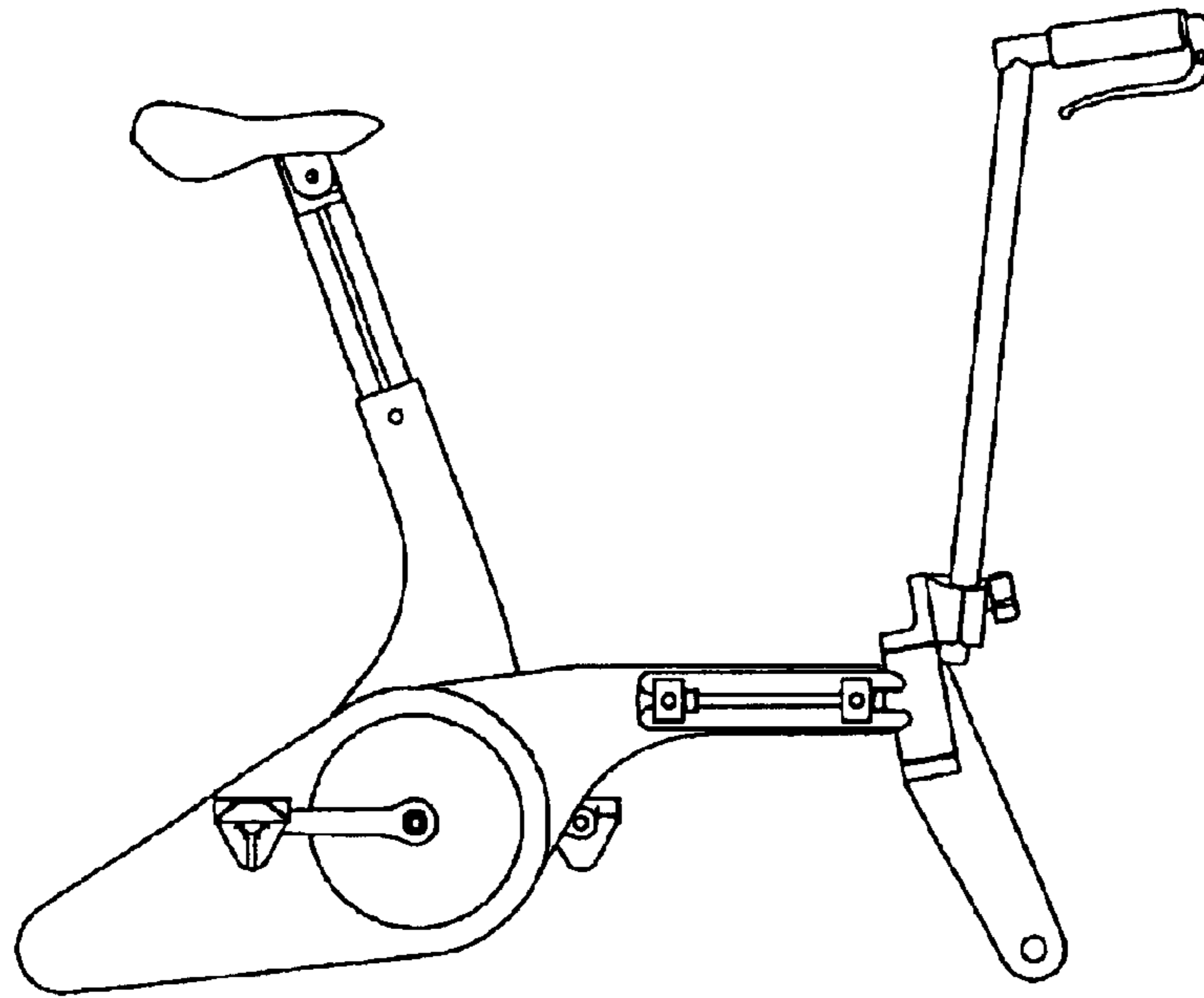


Fig. 10

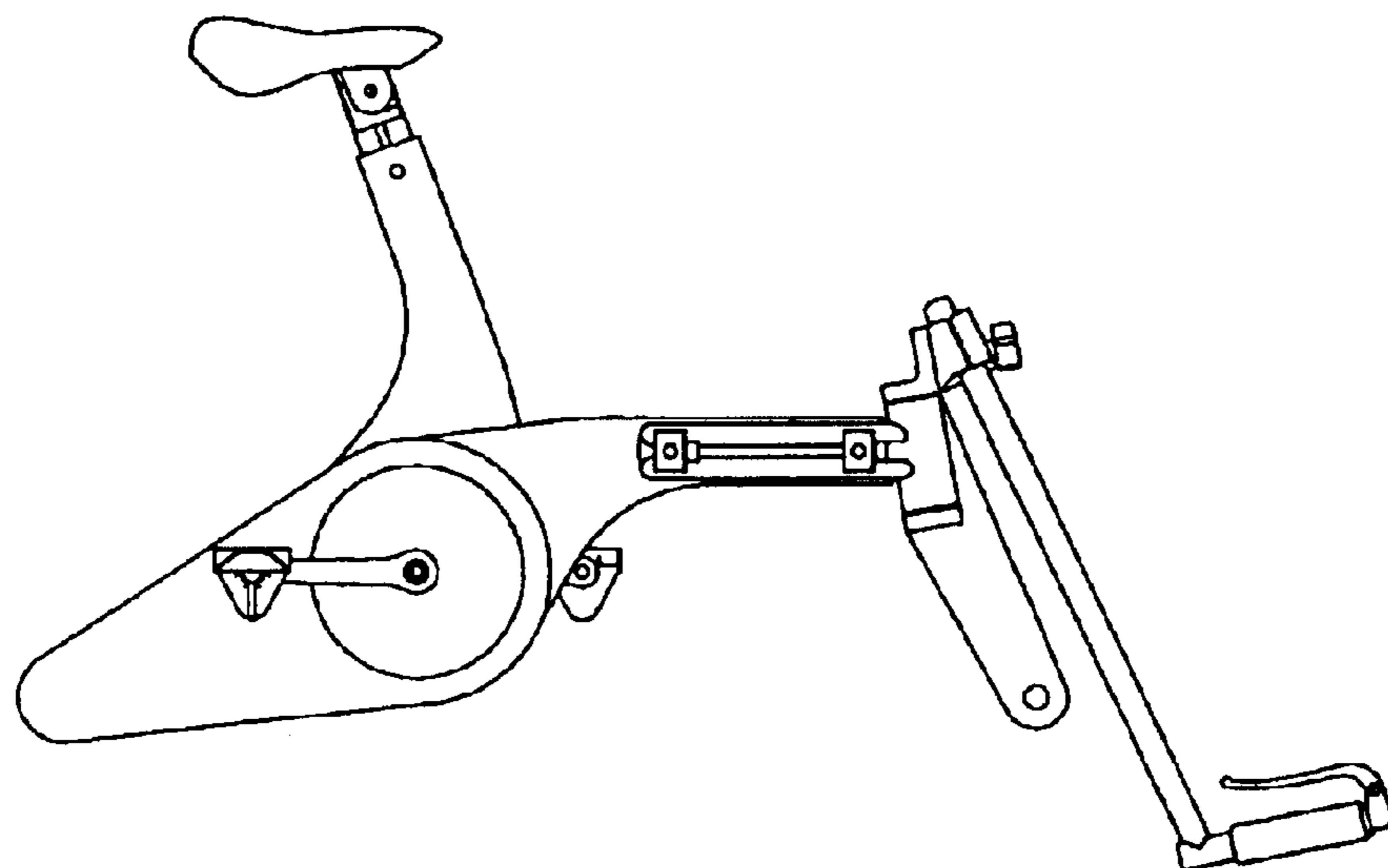


Fig. 11

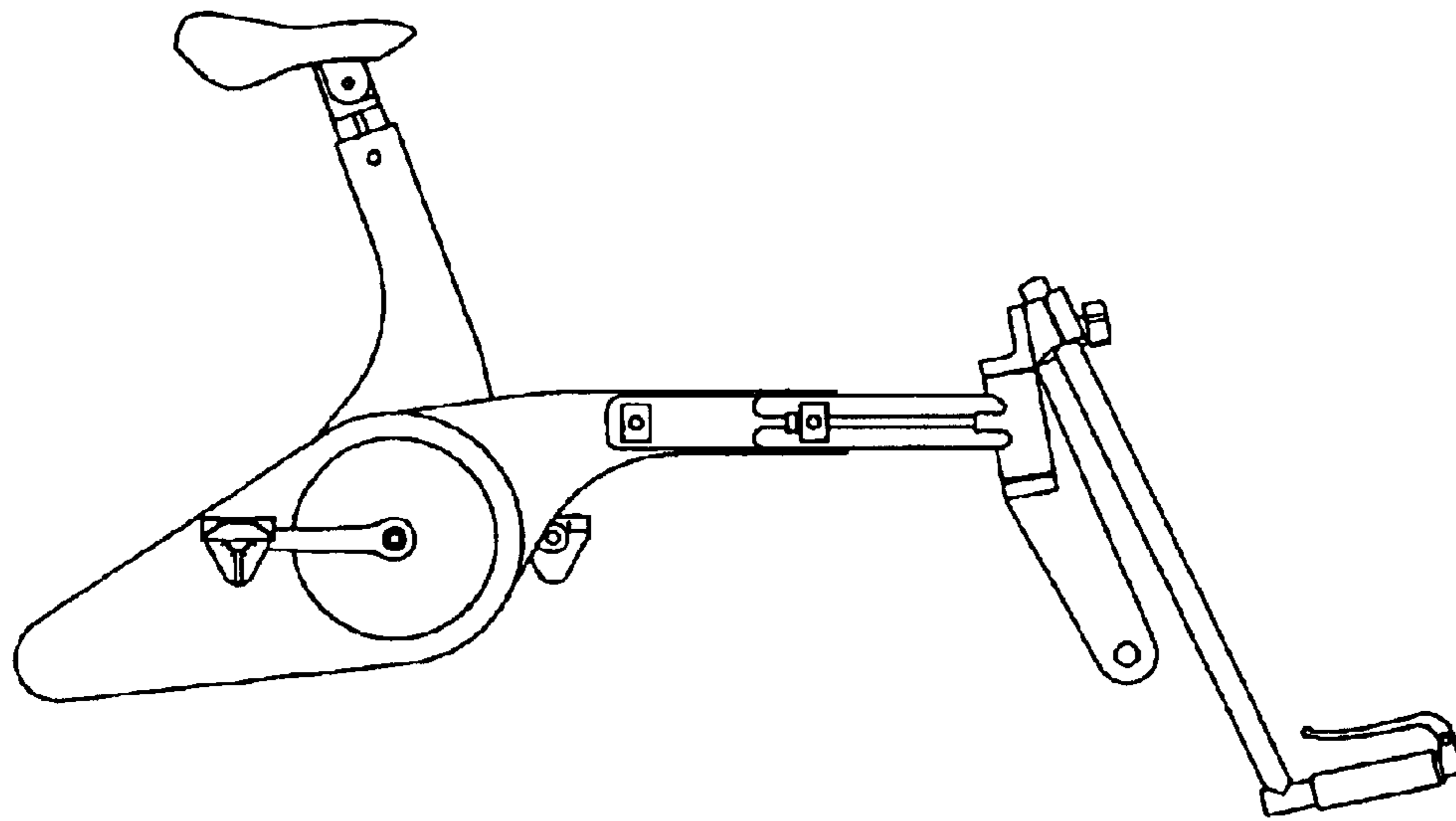


Fig. 12

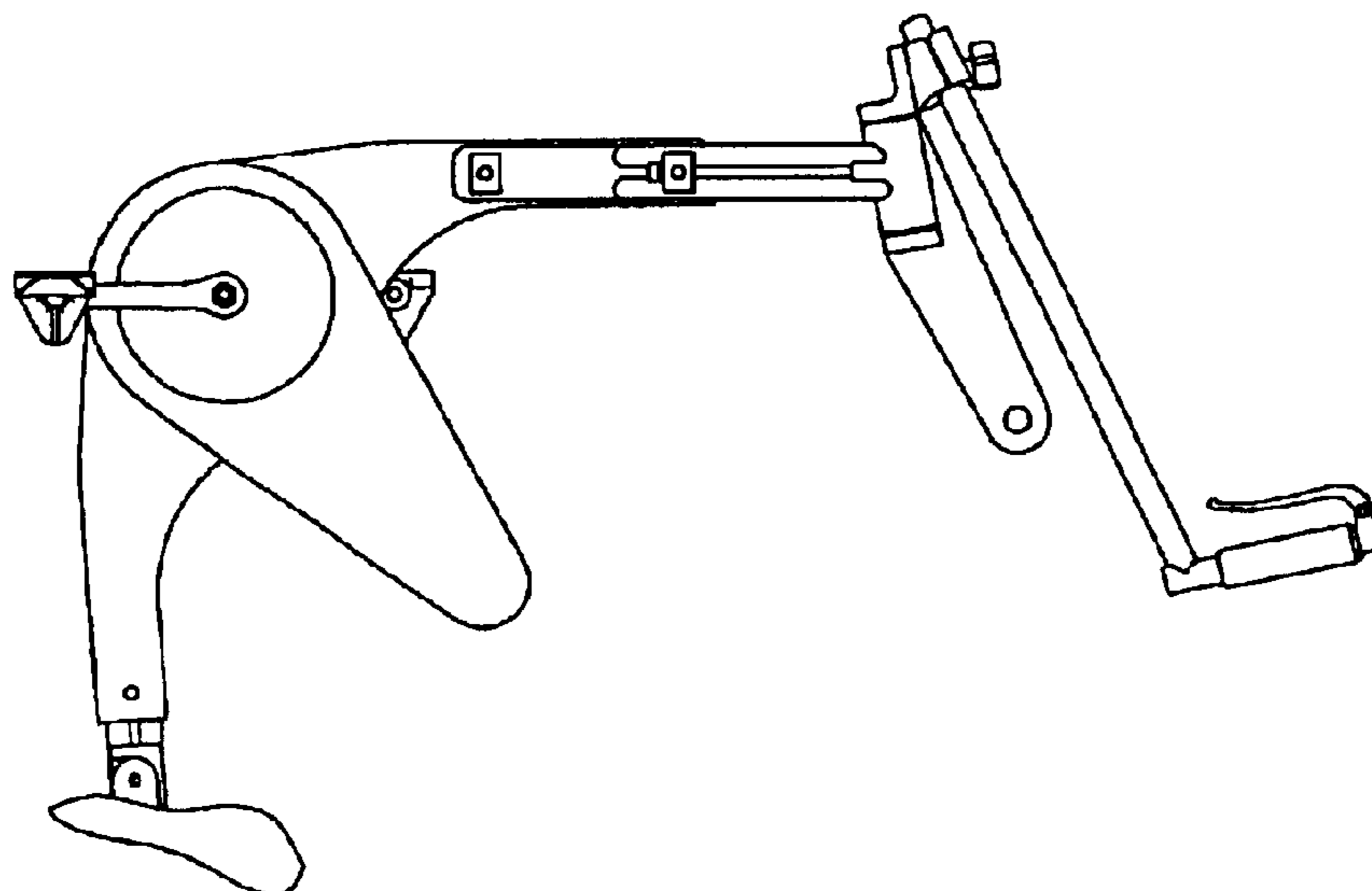


Fig. 13

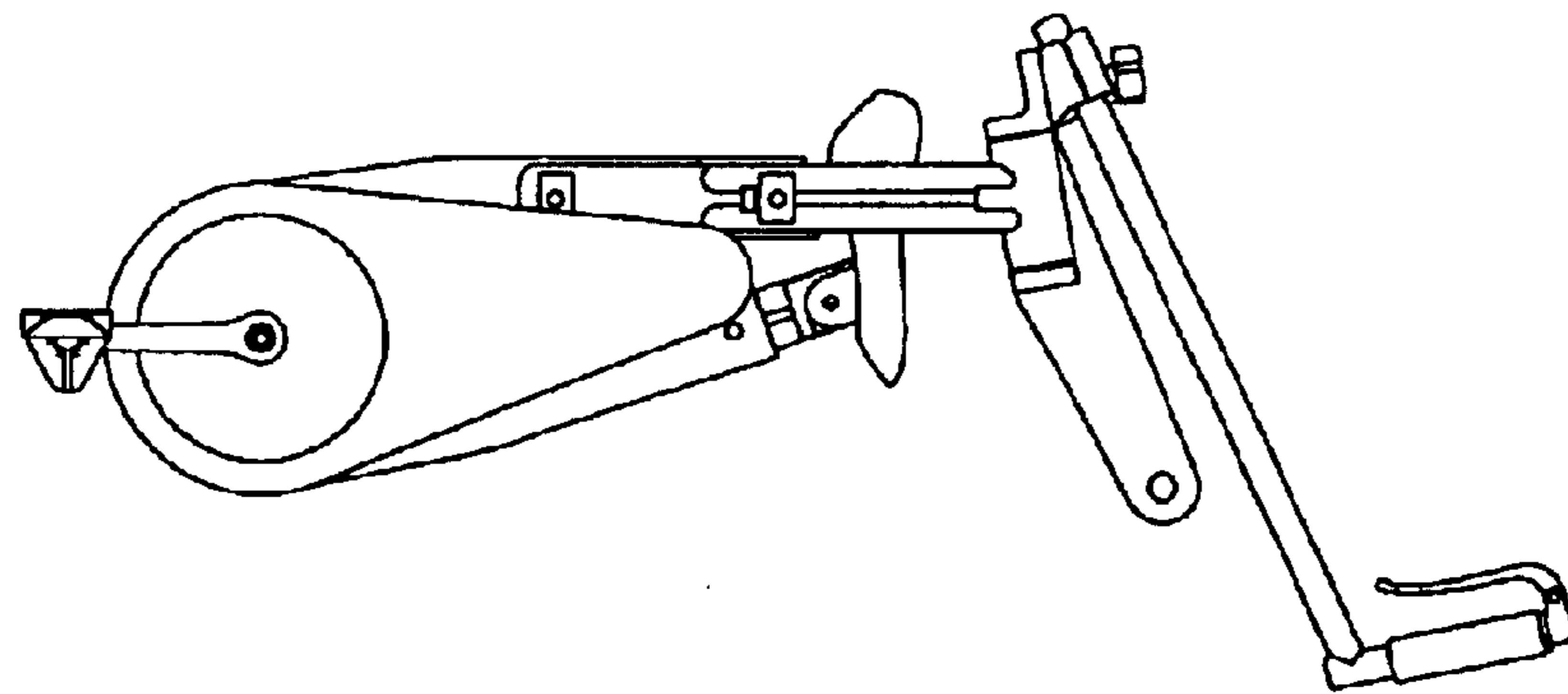


Fig. 14

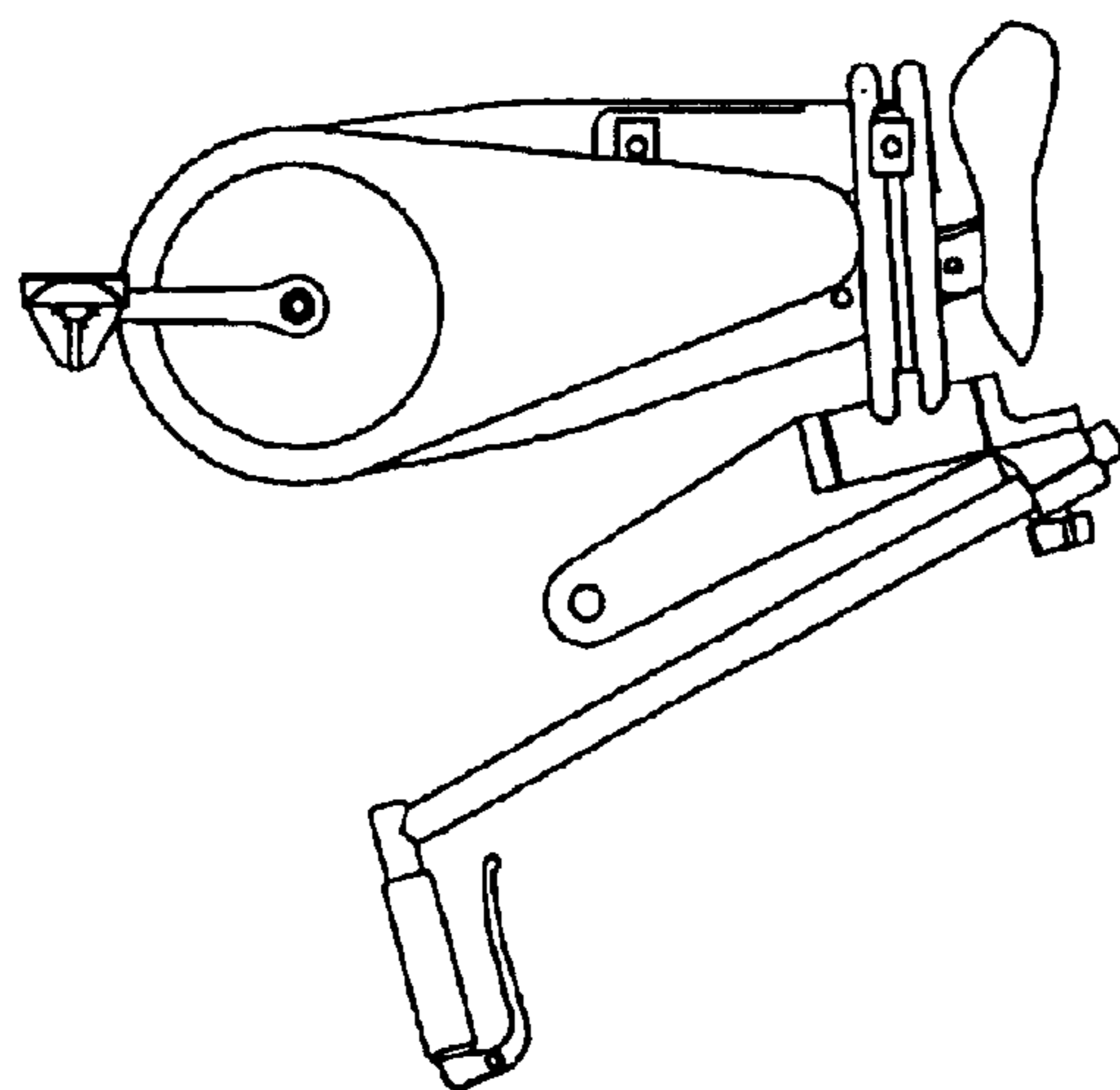




Fig. 15

