

US00D497118S1

(12) **United States Design Patent**
Steffee

(10) **Patent No.:** **US D497,118 S**

(45) **Date of Patent:** **** Oct. 12, 2004**

(54) **TURKEY CALLER DRUM**

(76) **Inventor:** **Shawn Michael Steffee**, 2207 Cherry Run Rd., Homer City, PA (US) 15748

(**) **Term:** **14 Years**

(21) **Appl. No.:** **29/199,071**

(22) **Filed:** **Feb. 9, 2004**

(51) **LOC (7) Cl.** **10-05**

(52) **U.S. Cl.** **D10/116**

(58) **Field of Search** D10/116, 119,
D10/120; 446/67, 202, 204-208, 397; 84/387 R;
43/2

(56) **References Cited**

U.S. PATENT DOCUMENTS

1,014,802 A *	1/1912	Hawley	244/6
2,643,483 A *	6/1953	Walker	446/397
2,880,548 A *	4/1959	Marr	446/204
D254,727 S *	4/1980	Mitumori	D10/116
D297,519 S *	9/1988	Shimoya	D10/116

5,562,521 A *	10/1996	Butler et al.	446/397
D429,178 S *	8/2000	Yuen	D10/116
D436,548 S *	1/2001	Masuda et al.	D10/116
6,443,803 B1 *	9/2002	Epple, Jr.	446/418
6,695,674 B1 *	2/2004	Davis et al.	446/418

* cited by examiner

Primary Examiner—Nelson C. Holtje

(74) *Attorney, Agent, or Firm*—George H. Morgan

(57) **CLAIM**

The ornamental design for a turkey caller drum, as shown and described.

DESCRIPTION

FIG. 1 is a top perspective view, from front, of a turkey caller drum showing my new ornamental design.

FIG. 2 is a bottom perspective view, from front, thereof.

FIG. 3 is a top view thereof; and,

FIG. 4 is a side view, which is a mirror image of the opposite side view thereof.

1 Claim, 3 Drawing Sheets

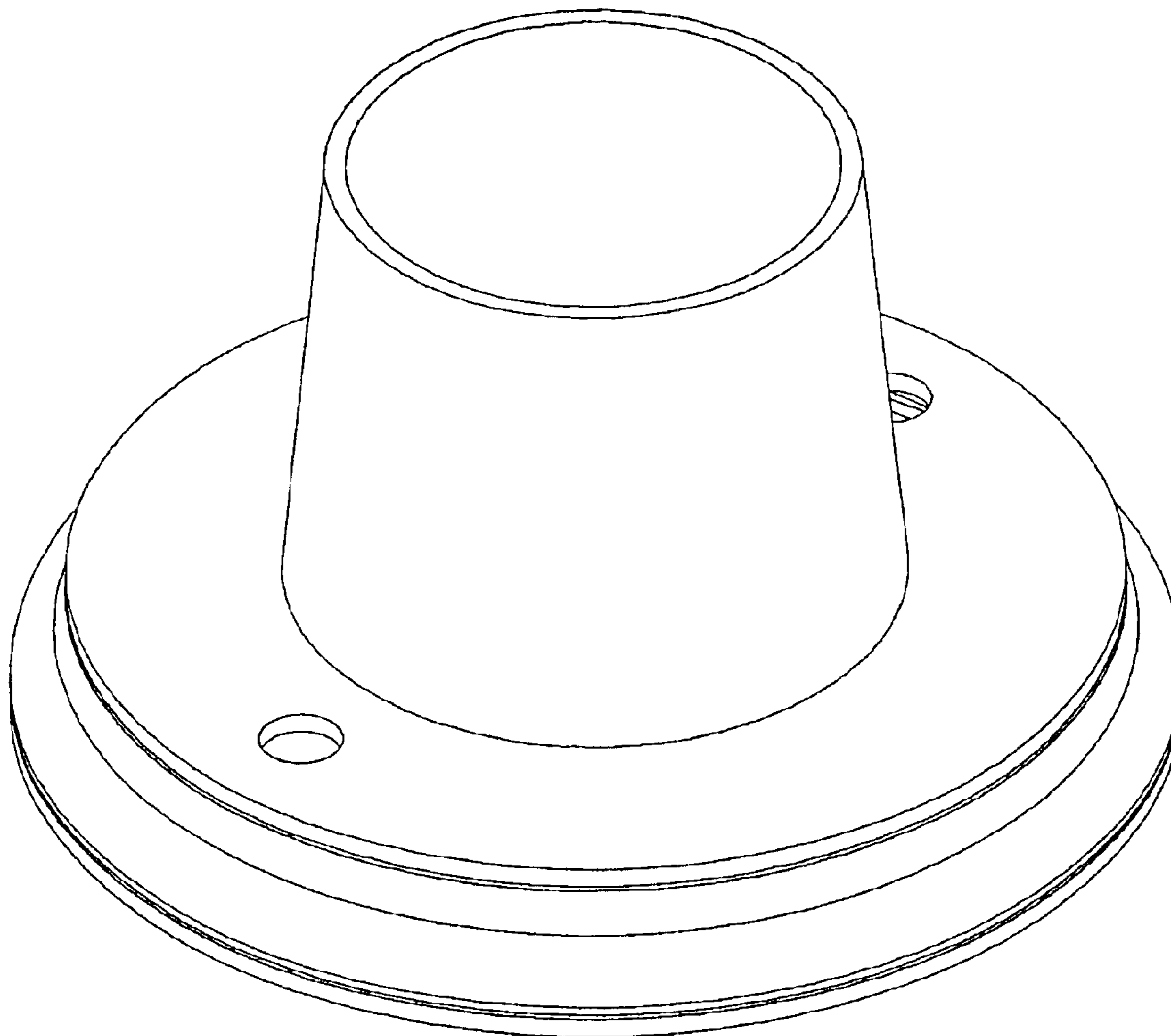


Fig. 1

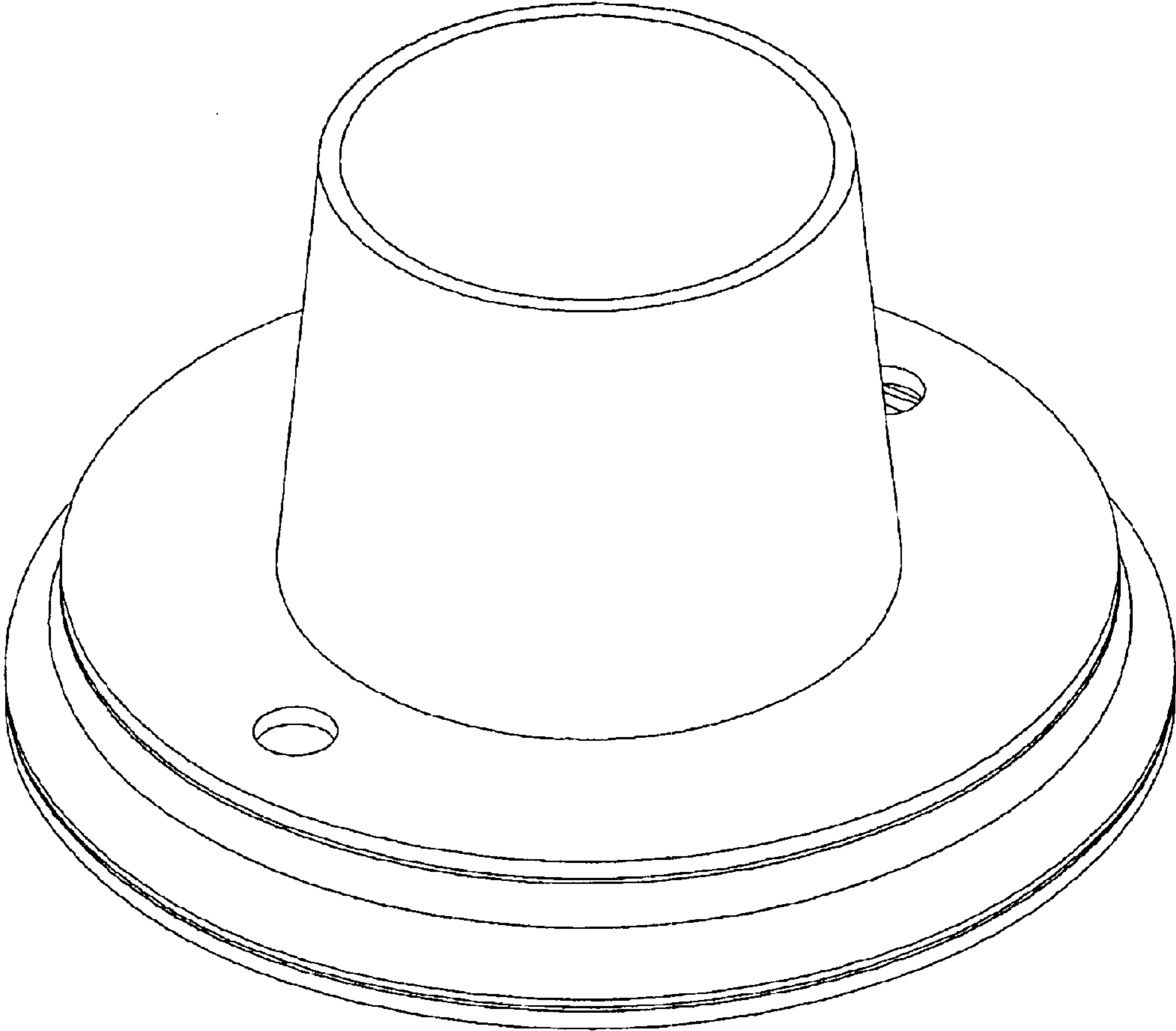


Fig. 2

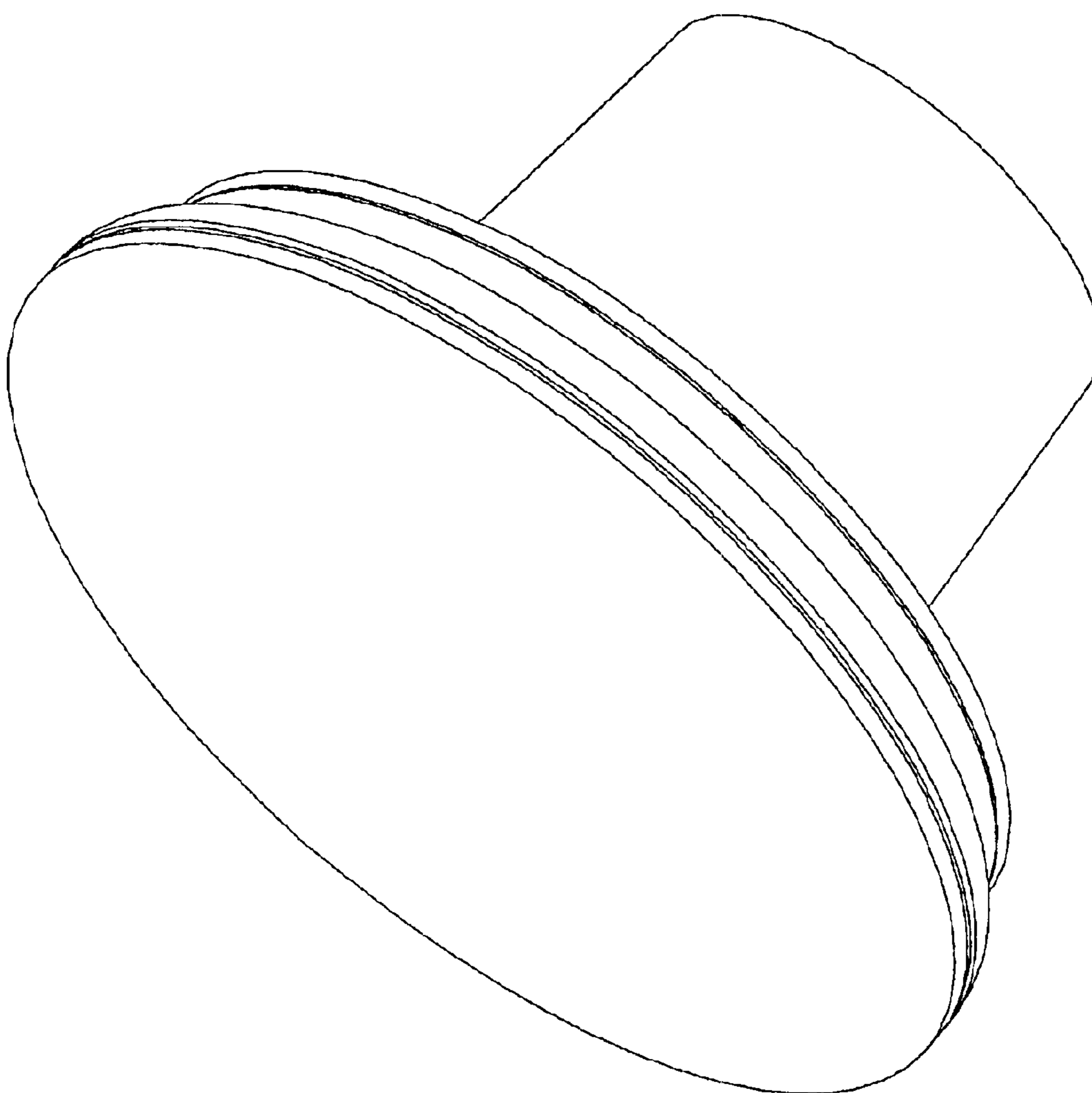


Fig. 3

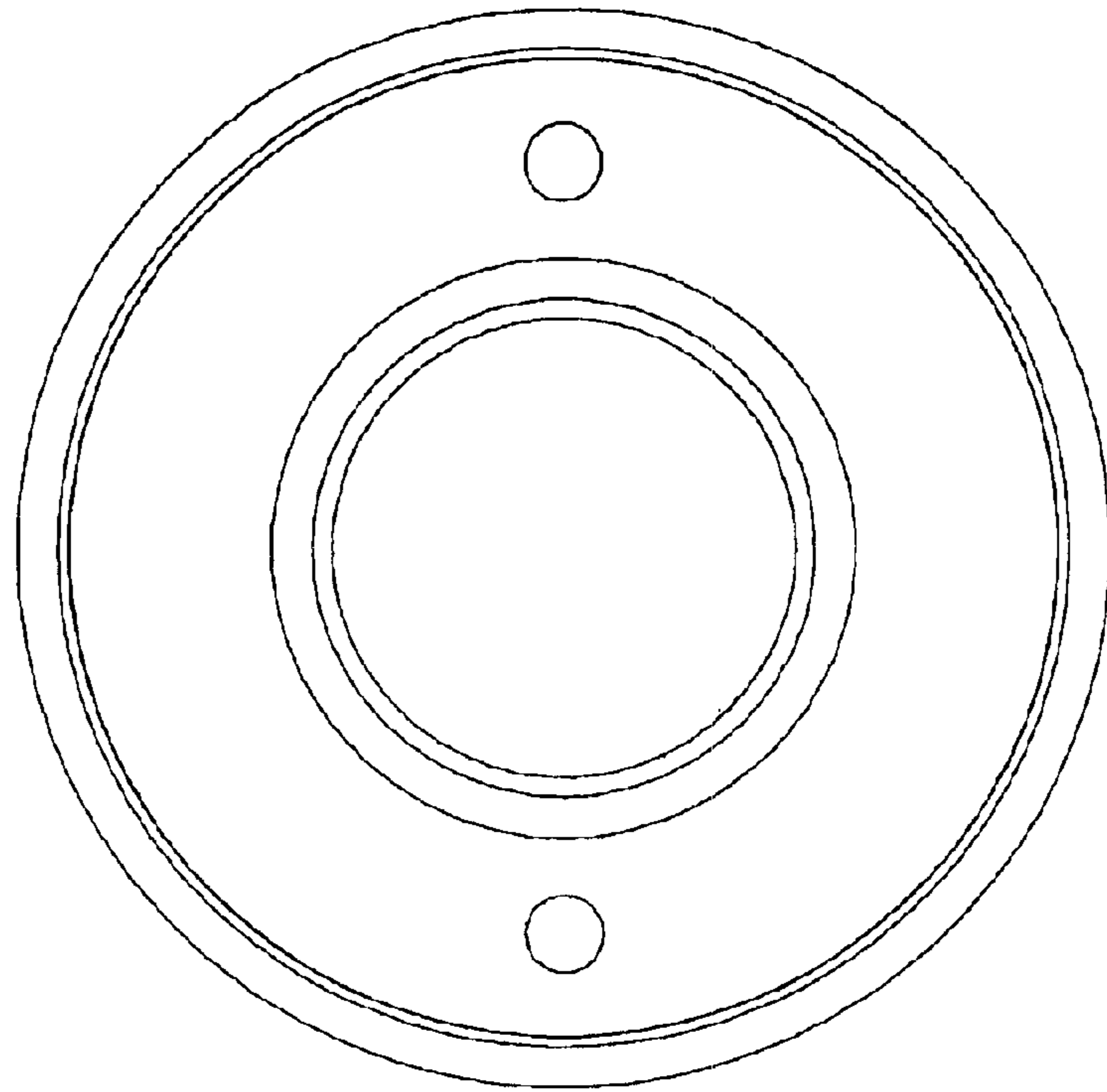


Fig. 4

