

US00D497116S1

(12) **United States Design Patent**
Chung

(10) **Patent No.:** **US D497,116 S**
(45) **Date of Patent:** **** Oct. 12, 2004**

(54) **FLOATING CONDUCTOR**

(76) **Inventor:** **Young-Ki Chung**, 102-1404, Samsung Apt., 374 Dongsan-dong, Yeongdeungpo-gu, 150-040 Seoul (KR)

(**) **Term:** **14 Years**

(21) **Appl. No.:** **29/183,977**

(22) **Filed:** **Jun. 18, 2003**

(30) **Foreign Application Priority Data**

May 28, 2003 (KR) 30-2003-0014815

(51) **LOC (7) Cl.** **10-05**

(52) **U.S. Cl.** **D10/105**

(58) **Field of Search** D10/105; 174/4 R, 174/4 C, 3, 2; 361/213, 216-222

(56) **References Cited**

U.S. PATENT DOCUMENTS

892,822 A	*	7/1908	Fraser	361/137
1,166,393 A	*	12/1915	Steinberger	174/140 R
1,863,080 A	*	6/1932	Austin	361/132
2,280,917 A	*	4/1942	Jones	361/123
2,815,395 A	*	12/1957	Benedetto	174/4 R
2,854,499 A	*	9/1958	Capart	174/4 C
2,914,602 A	*	11/1959	Cougnard	174/140 R
3,350,496 A	*	10/1967	Ritter	174/4 C
4,010,316 A	*	3/1977	Jolly et al.	174/140 R

4,039,739 A	*	8/1977	Donelli	174/4 C
4,382,049 A	*	5/1983	Hofmeister et al.	264/40.1
D305,104 S	*	12/1989	Heary	D10/105
5,086,369 A	*	2/1992	Lin	361/220
5,991,146 A	*	11/1999	Bokhary	361/213
6,369,317 B1	*	4/2002	Rapp	174/5 R
D487,028 S	*	2/2004	Chung	D10/105

* cited by examiner

Primary Examiner—Nelson C. Holtje

(74) *Attorney, Agent, or Firm*—Cantor Colburn LLP

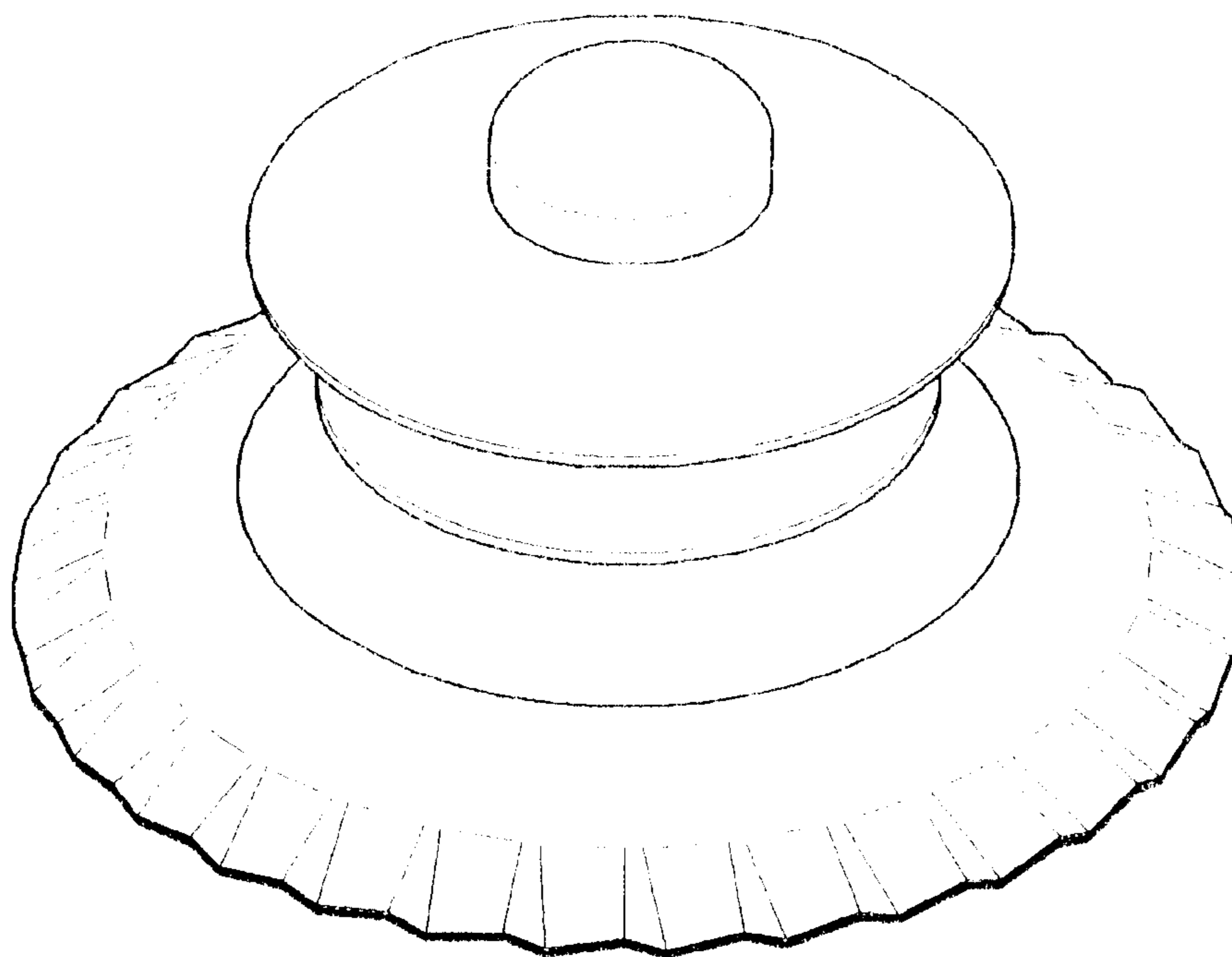
(57) **CLAIM**

The ornamental design for a floating conductor, as shown and described.

DESCRIPTION

FIG. 1 is a front perspective view of a floating conductor, showing my new design;
 FIG. 2 is a front elevational view thereof;
 FIG. 3 is a rear elevational view thereof;
 FIG. 4 is a top plan view thereof;
 FIG. 5 is a bottom plan view thereof;
 FIG. 6 is a side elevational view thereof taken from the left of FIG. 2;
 FIG. 7 is a side elevational view thereof taken from the right of FIG. 2; and,
 FIG. 8 is a sectional view taken along section A—A of FIG. 4.

1 Claim, 8 Drawing Sheets



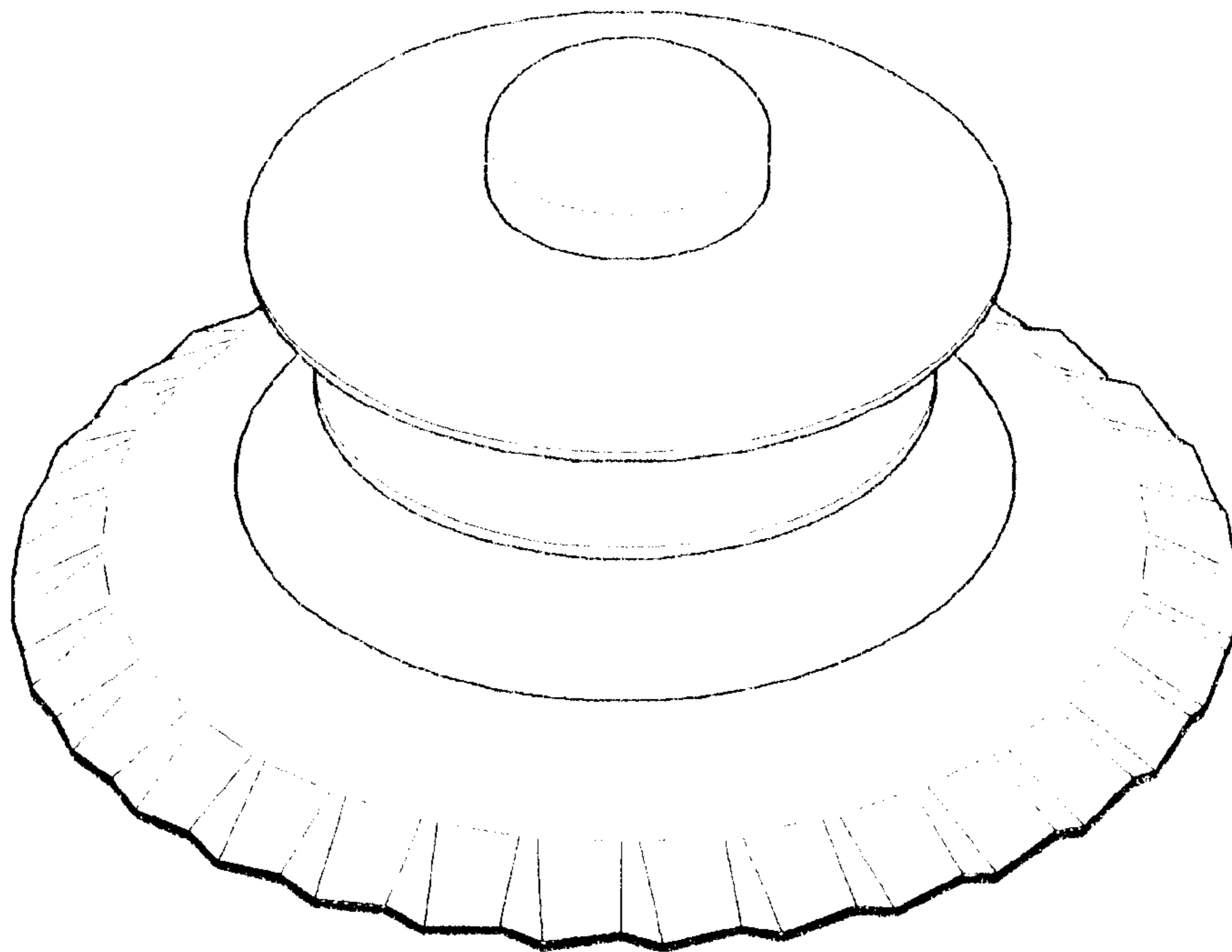


FIGURE 1

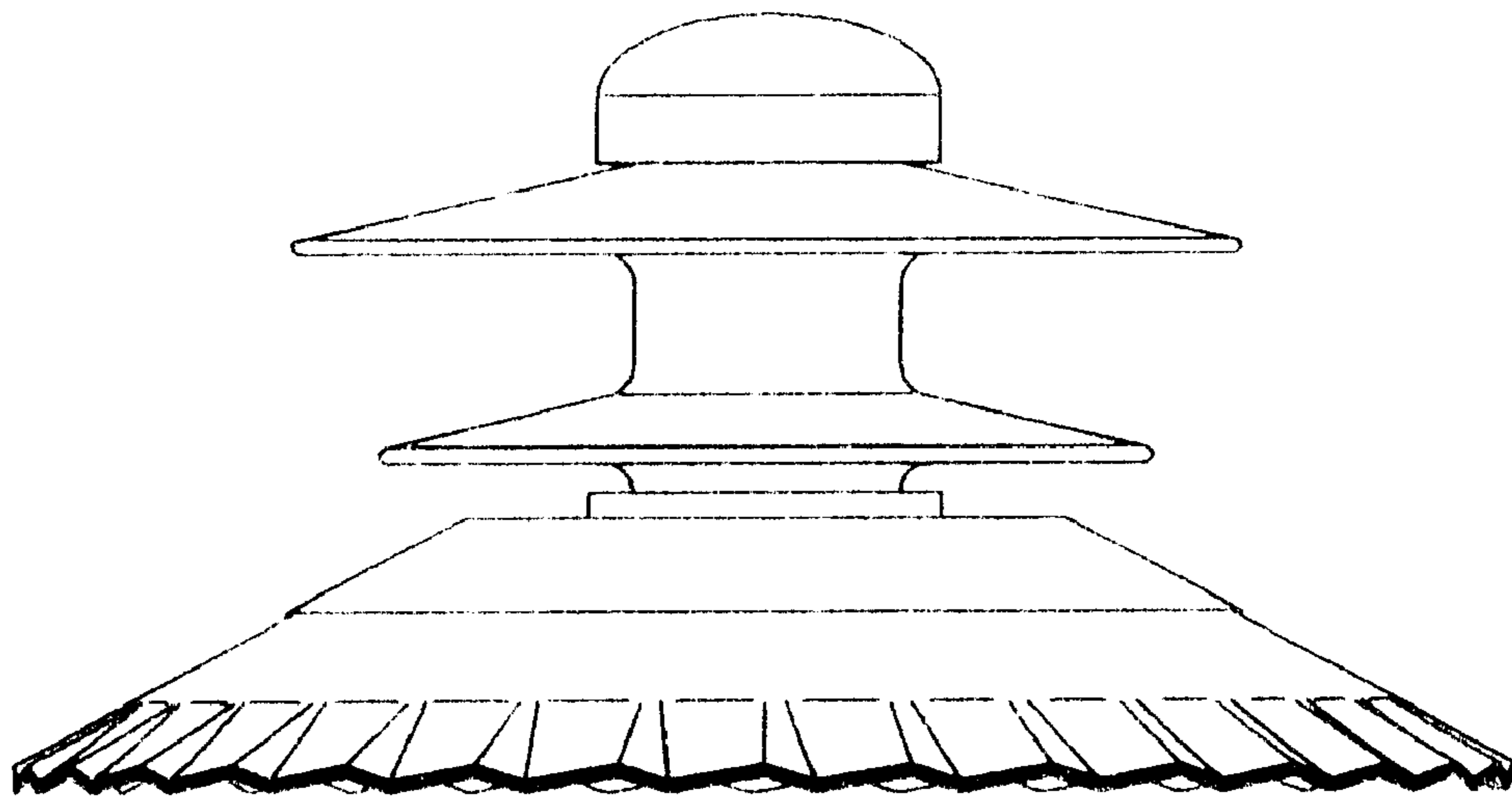


FIGURE 2

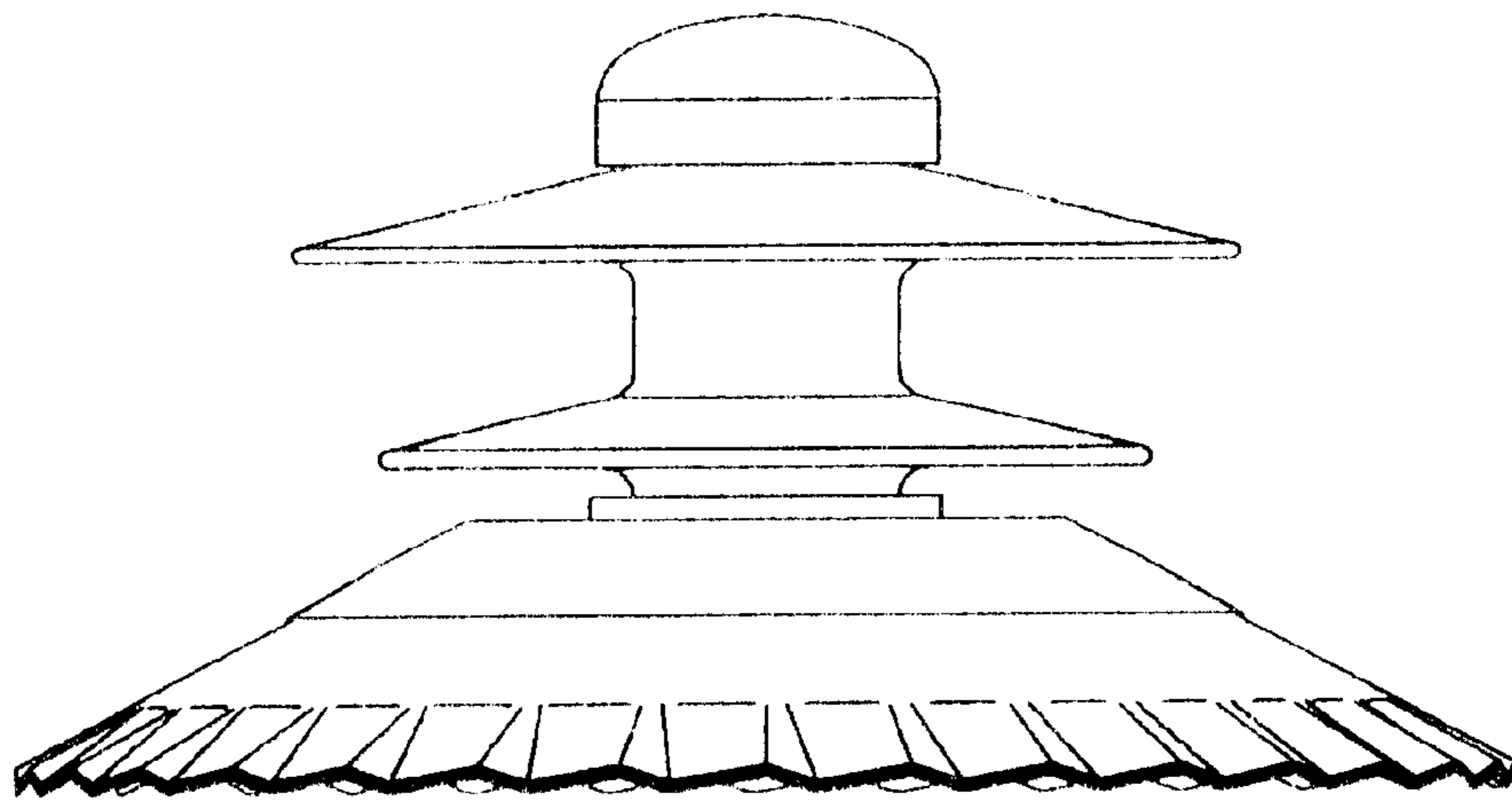


FIGURE 3

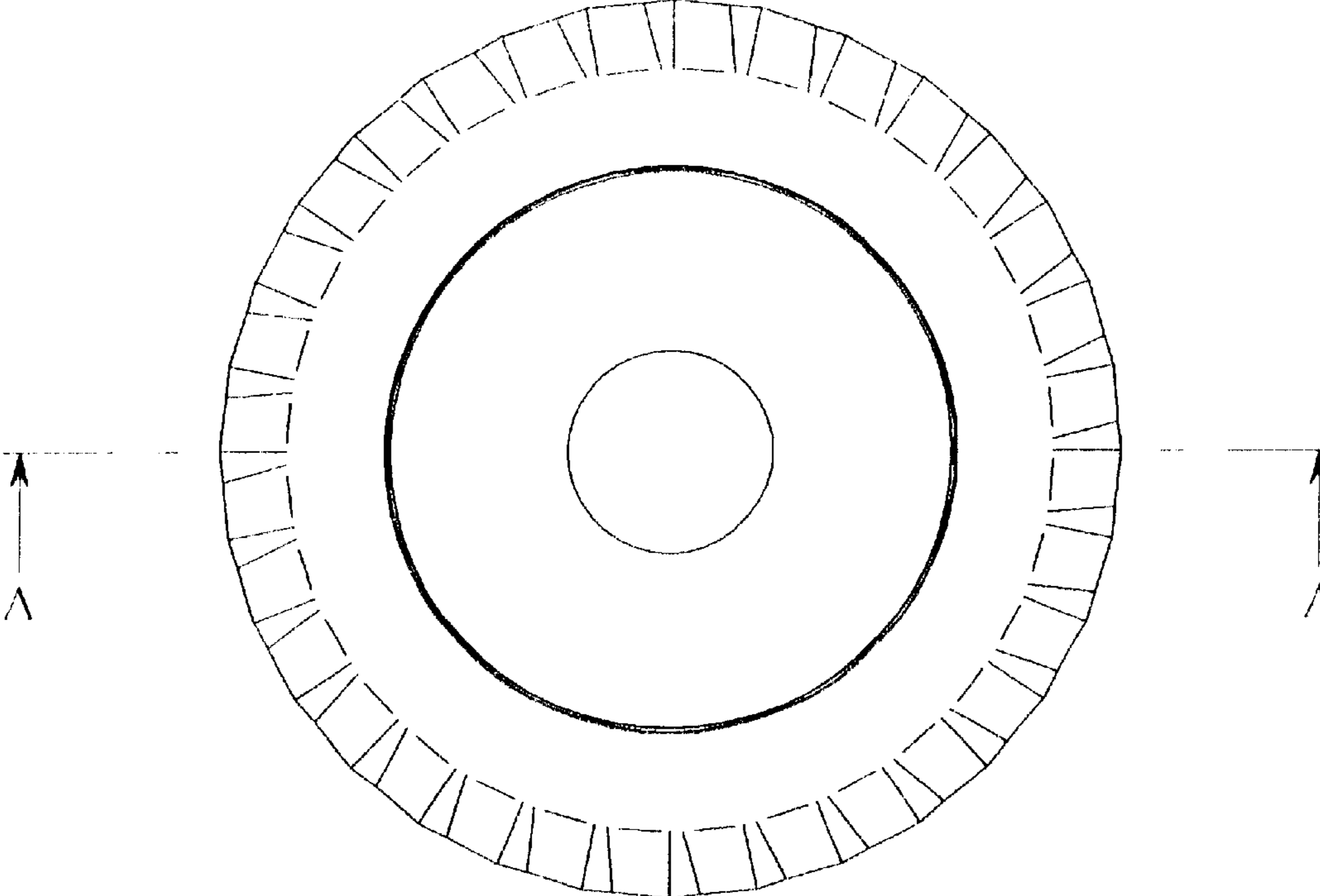


FIGURE 4

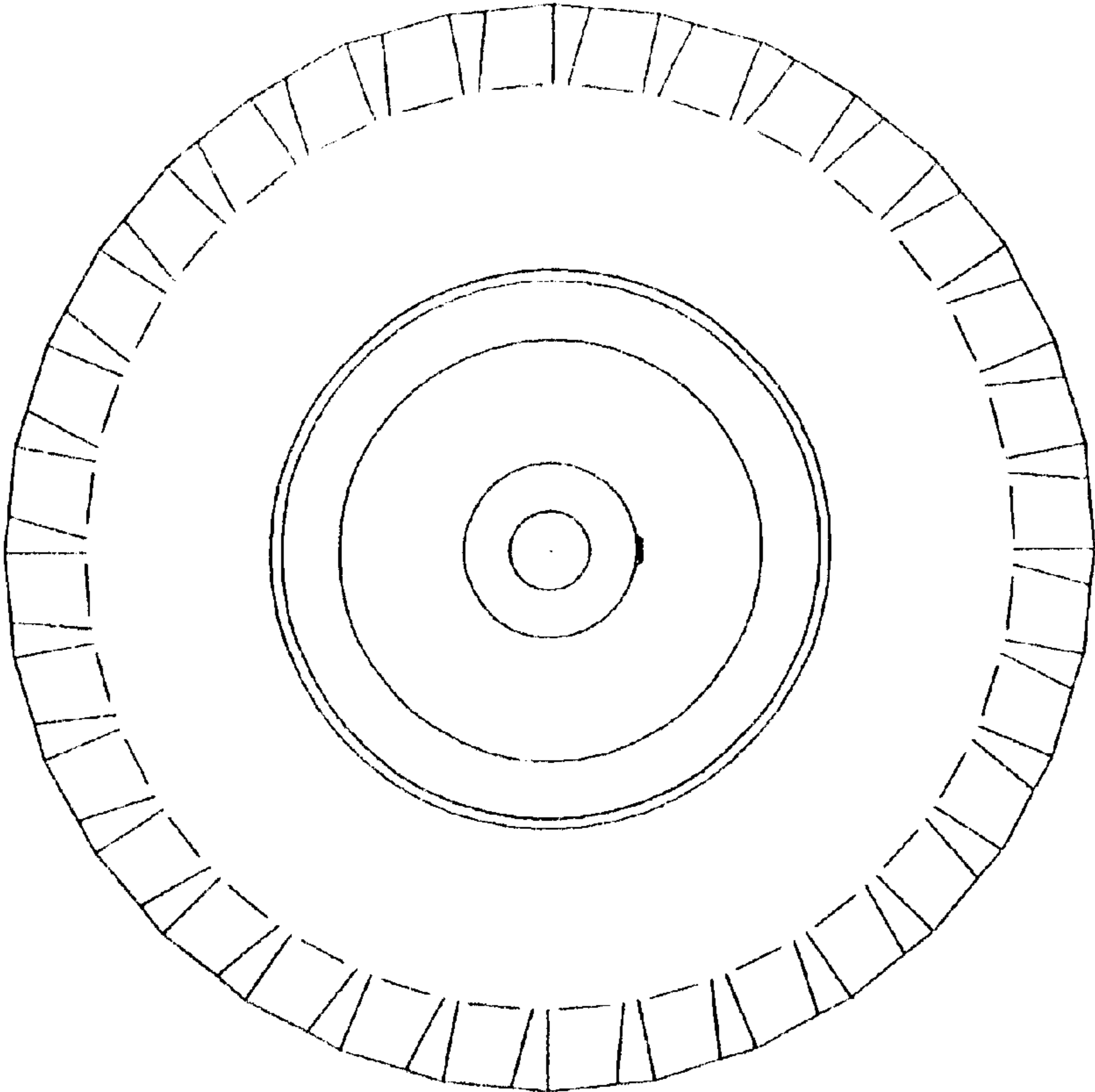


FIGURE 5

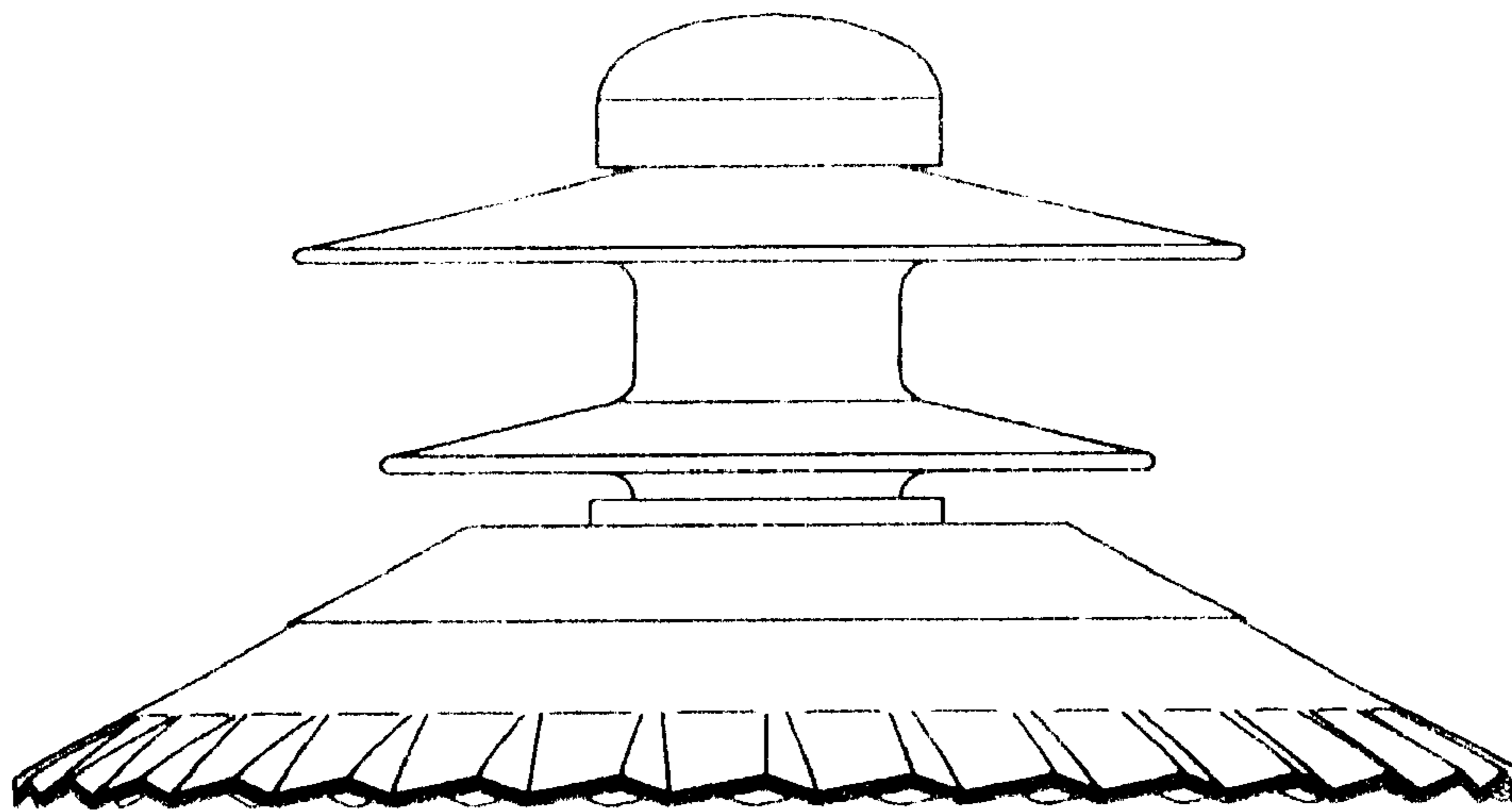


FIGURE 6

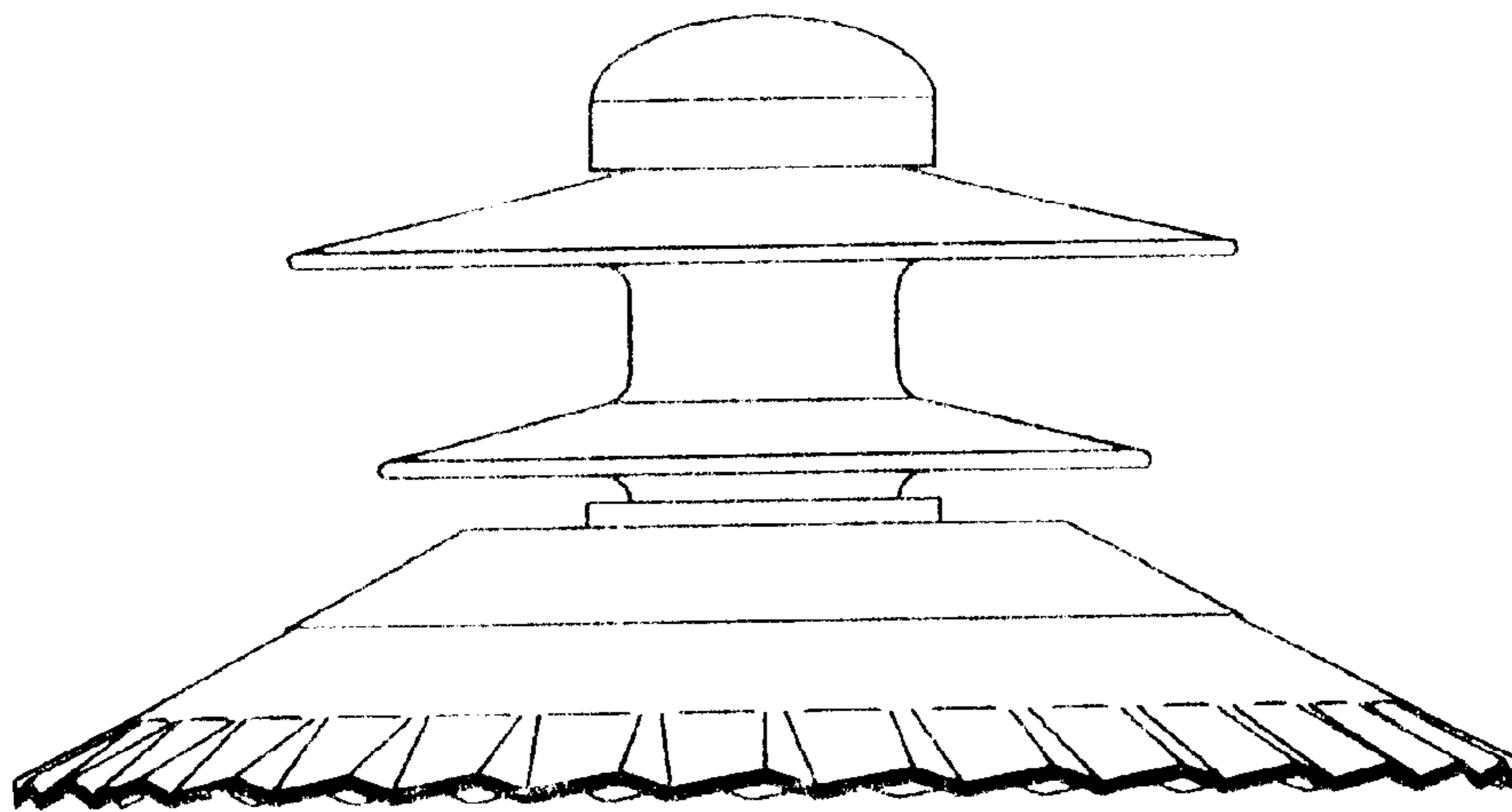


FIGURE 7

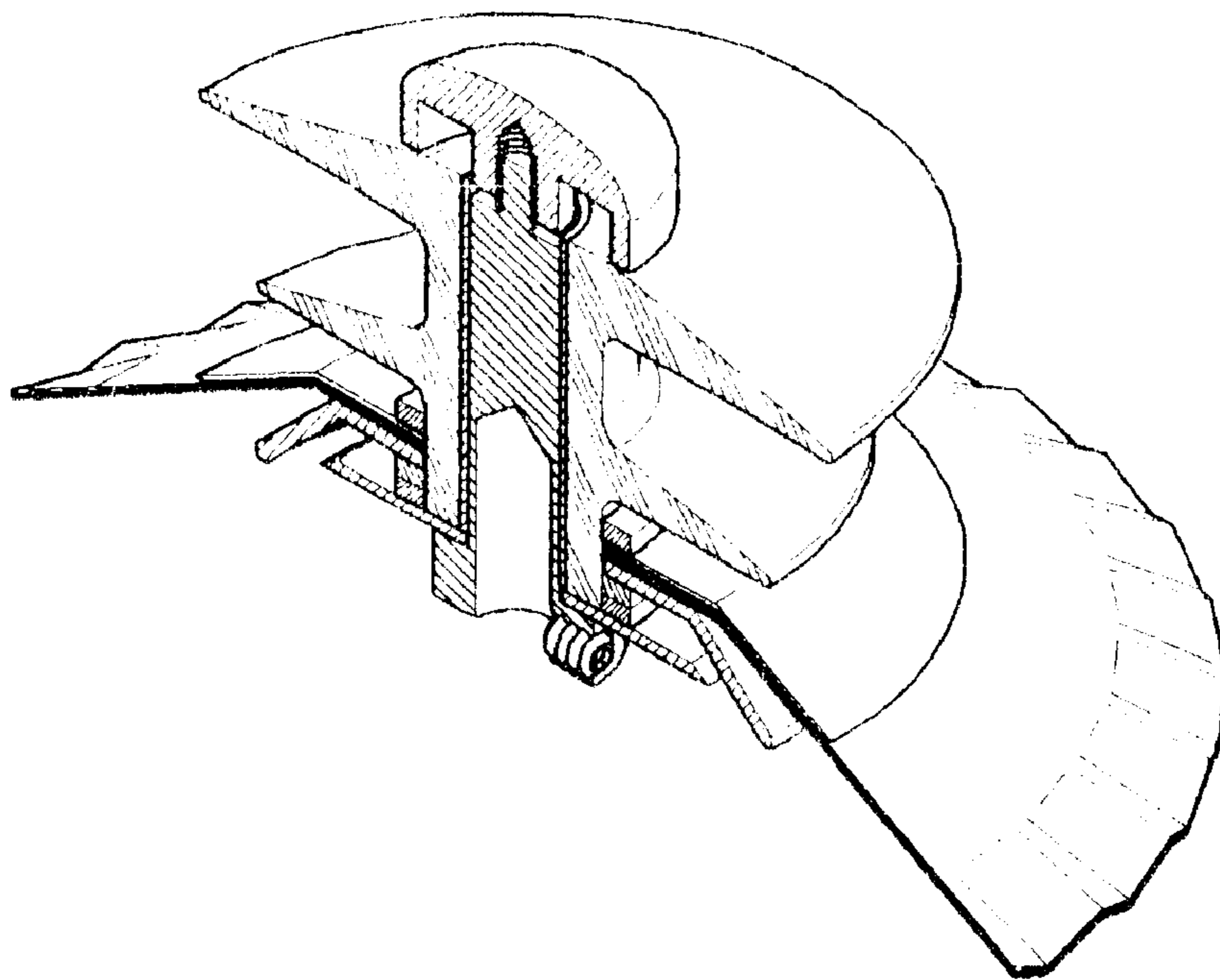


FIGURE 8