

US00D497109S1

(12) **United States Design Patent** (10) **Patent No.:** **US D497,109 S**  
**Itsubo** (45) **Date of Patent:** **\*\* Oct. 12, 2004**

(54) **WATCH CASE**

(75) Inventor: **Kazutoshi Itsubo**, Tokyo (JP)

(73) Assignee: **Seiko Watch Kabushiki Kaisha** (JP)

(\*\*) Term: **14 Years**

(21) Appl. No.: **29/194,529**

(22) Filed: **Nov. 25, 2003**

(51) **LOC (7) Cl.** ..... **10-02**

(52) **U.S. Cl.** ..... **D10/30; D10/39**

(58) **Field of Search** ..... **D10/1-40, 122-132;**  
**368/280-282, 276-277, 285, 294-295**

(56) **References Cited**

**U.S. PATENT DOCUMENTS**

- D244,433 S \* 5/1977 Banks ..... D10/38
- D343,582 S \* 1/1994 Maruyama ..... D10/30
- D416,497 S \* 11/1999 Zwicky ..... D10/30
- D459,236 S \* 6/2002 Haquet ..... D10/30

**OTHER PUBLICATIONS**

- Official Japanese Gazette; Japanese Design Registration No. 822288, Issued Nov. 15, 1991; p. 173.
- Official Japanese Gazette; Japanese Design Registration No. 822289, Issued Nov. 15, 1991; p. 175.
- Official Japanese Gazette; Japanese Design Registration No. 842932, Issued Jul. 20, 1992; p. 129.
- Official Japanese Gazette; Japanese Design Registration No. 842960, Issued Jul. 21, 1992; p. 151.
- Official Japanese Gazette; Japanese Design Registration No. 842964; Issued Jul. 21, 1992; p. 157.

Official Japanese Gazette; Japanese Design Registration No. 844119, Issued Jul. 30, 1992; p. 111.

Official Japanese Gazette; Japanese Design Registration No. 855082, Issued Dec. 11, 1992; p. 183.

Official Japanese Gazette; Japanese Design Registration No. 868891, Issued May 20, 2002; p. 83.

Official Japanese Gazette; Japanese Design Registration No. 1156454, Issued Oct. 28, 2002; p. 13.

Official Japanese Gazette; Japanese Design Registration No. 1174342, Issued Jun. 3, 2003; p. 21.

Official Japanese Gazette; Japanese Design Registration No. 1009931, Issued May 18, 1998; p. 135.

\* cited by examiner

*Primary Examiner*—Nelson C. Holtje

(74) *Attorney, Agent, or Firm*—SAIDMAN DesignLaw Group

(57) **CLAIM**

The ornamental design for a watch case, as shown and described.

**DESCRIPTION**

FIG. 1 is a front perspective view of a watch case showing my new design;

FIG. 2 is a front view thereof;

FIG. 3 is a rear view thereof;

FIG. 4 is a top plan view thereof, the bottom view being a mirror image thereof;

FIG. 5 is a left-side view thereof; and,

FIG. 6 is a right-side view thereof.

**1 Claim, 3 Drawing Sheets**

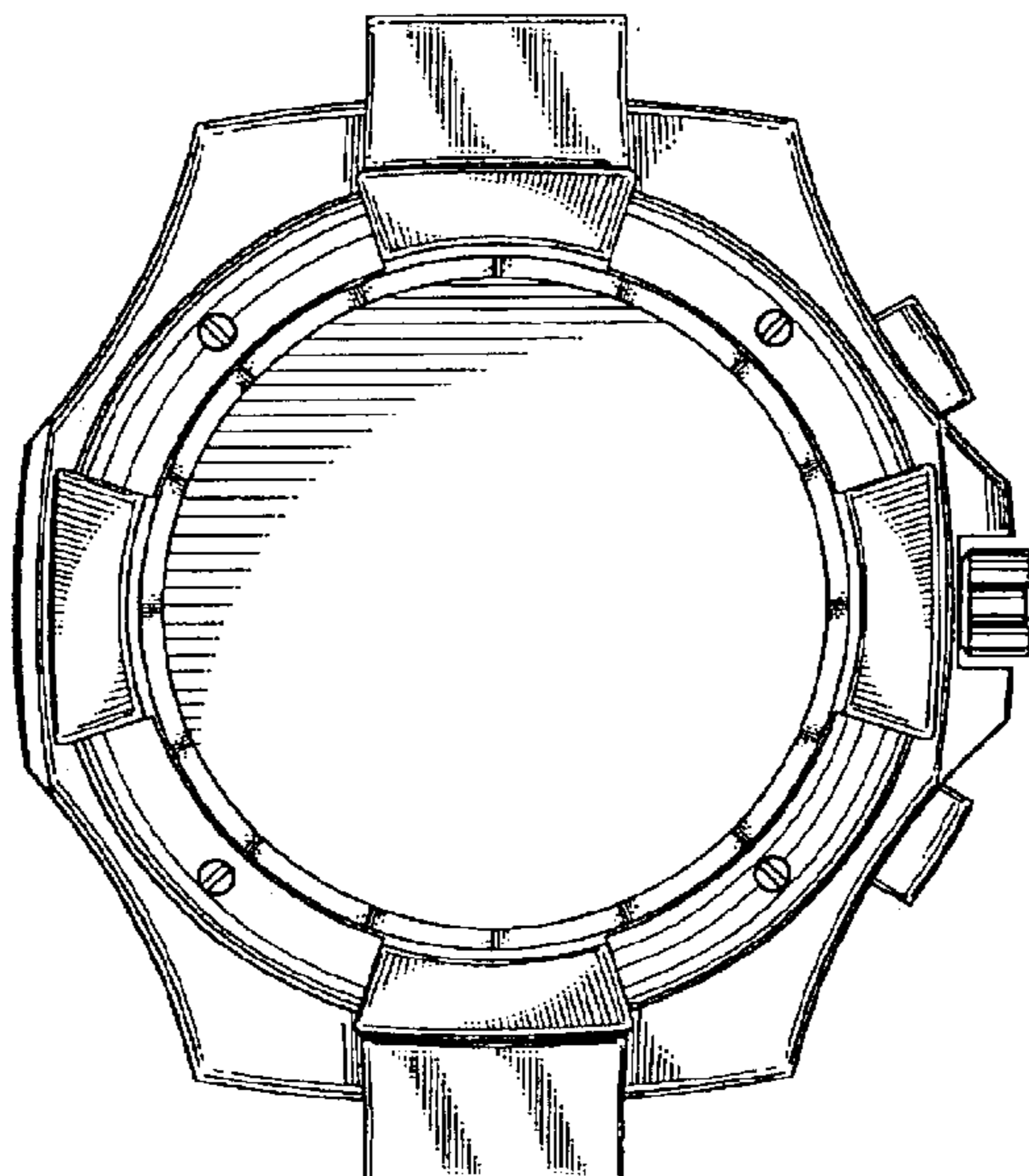


Fig. 1

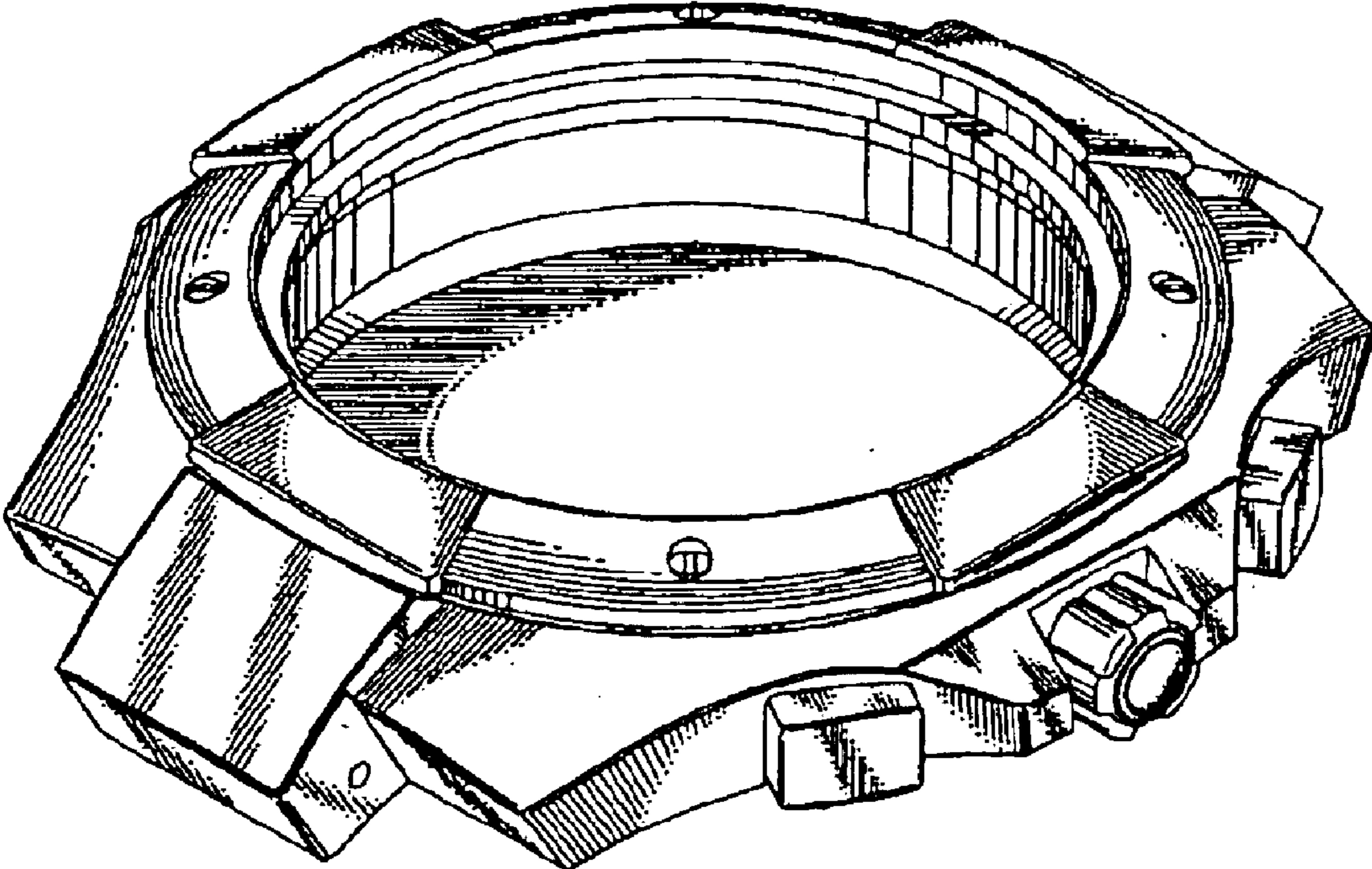


Fig.2

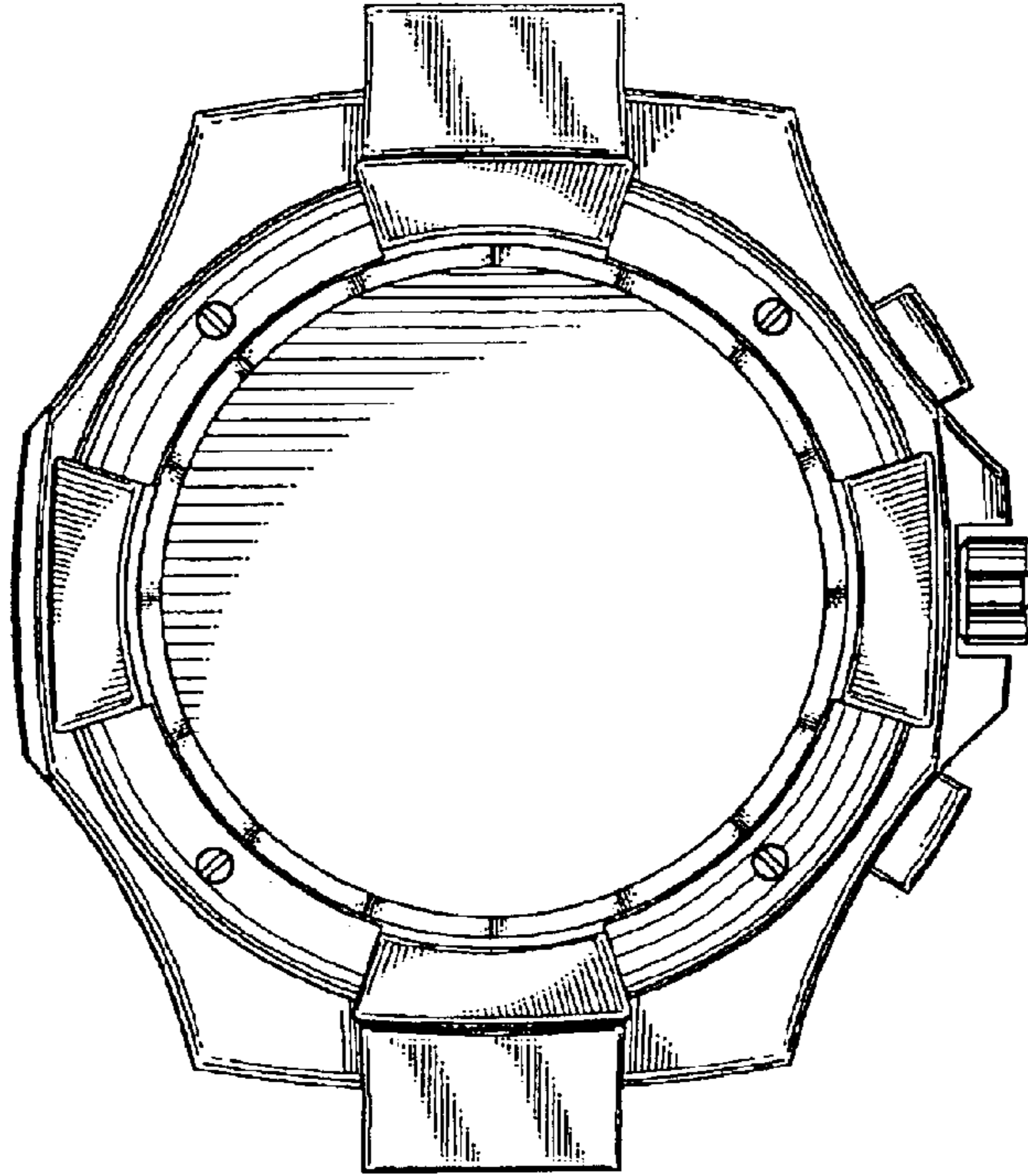


Fig.3

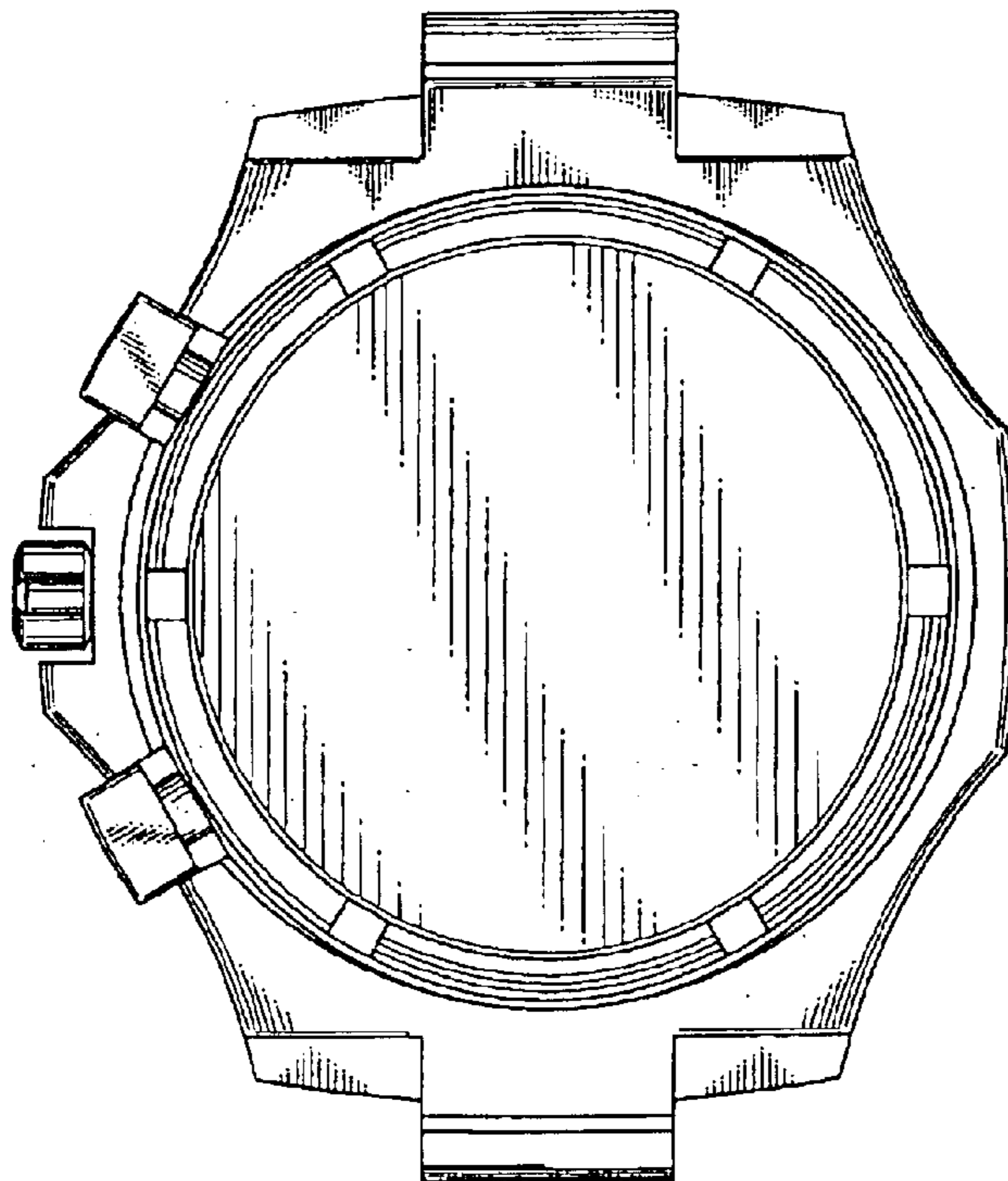


Fig.4

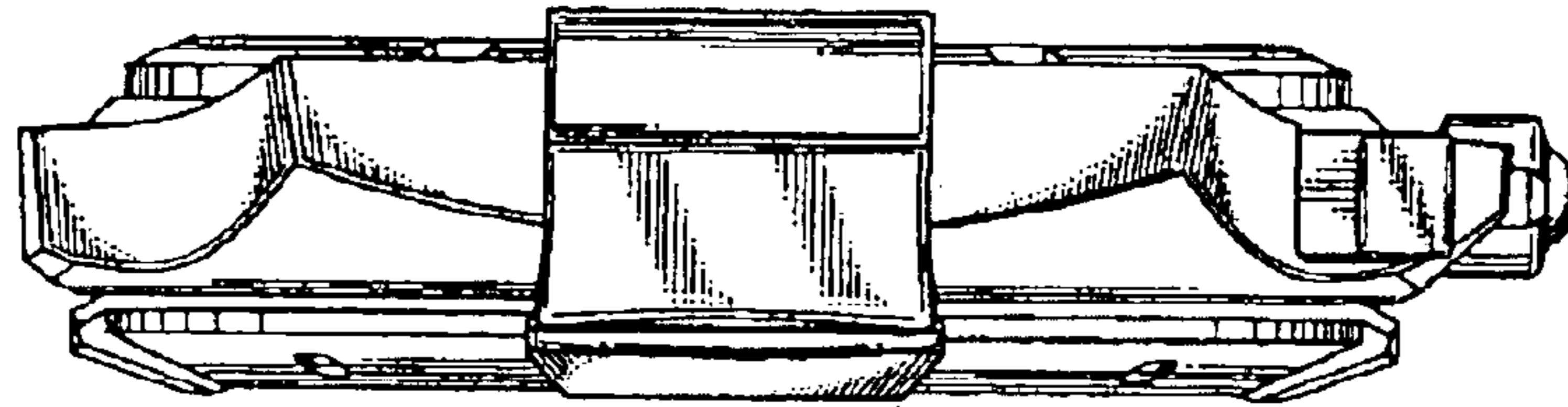


Fig.5

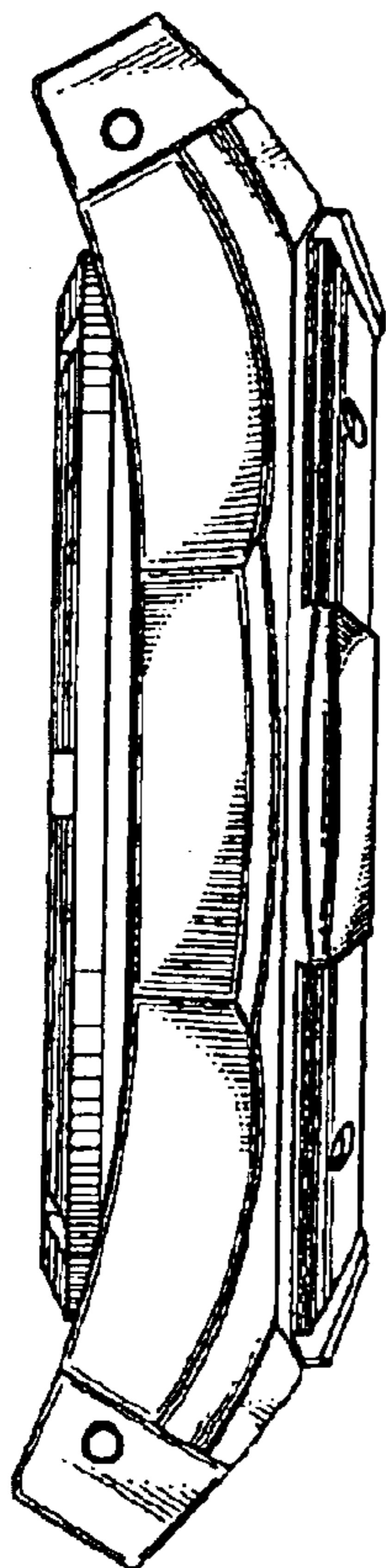


Fig.6

