

US00D497106S1

(12) **United States Design Patent**  
**Solowiejko et al.**

(10) **Patent No.: US D497,106 S**

(45) **Date of Patent: \*\* Oct. 12, 2004**

(54) **SPICE CONTAINER**

D464,567 S 10/2002 Baerenwald et al.  
D473,107 S \* 4/2003 McGuyer ..... D7/591

(75) Inventors: **George Solowiejko**, Rockford, IL (US);  
**Edward Cronin**, Brodhead, WI (US);  
**Gordon E. VerWeyst**, Rockford, IL (US)

\* cited by examiner

*Primary Examiner*—Sandra L. Morris  
(74) *Attorney, Agent, or Firm*—Leydig, Voit & Mayer Ltd.

(73) Assignee: **J.L. Clark, Inc.**, Rockford, IL (US)

(57) **CLAIM**

(\*\*) Term: **14 Years**

We claim the ornamental design of the spice container, as shown and described.

(21) Appl. No.: **29/179,139**

**DESCRIPTION**

(22) Filed: **Apr. 4, 2003**

(51) **LOC (7) Cl.** ..... **09-01**

(52) **U.S. Cl.** ..... **D9/515; D9/518**

(58) **Field of Search** ..... D7/590–596; D9/449,  
D9/300, 337–339, 500–503, 509, 511–514,  
515, 516, 518, 523–524, 572–575; 215/379–383,  
400; 220/890

FIG. 1 is a perspective view of the container with the doors in the closed position;

FIG. 2 is a perspective view thereof, with the doors in an open position;

FIG. 3 is a top view of the container as shown in FIG. 1; FIG. 4 is a front view of the container as shown in FIG. 3, the back view would be identical;

FIG. 5 is a side view of the container as shown in FIG. 4 taken from the left;

FIG. 6 is a side view of the container as shown in FIG. 4 taken from the right;

FIG. 7 is a bottom view of the container as shown in FIG. 1; and,

FIG. 8 is a perspective view of the container of FIG. 1 taken from the bottom.

The broken line showing is for illustrative purposes only, and forms no part of the claimed design.

(56) **References Cited**

**U.S. PATENT DOCUMENTS**

|             |           |           |               |
|-------------|-----------|-----------|---------------|
| D200,270 S  | 2/1965    | Waterman  |               |
| D204,509 S  | 4/1966    | Waterman  |               |
| D278,115 S  | 3/1985    | Leininger |               |
| D312,190 S  | 11/1990   | Ciaccio   |               |
| D339,528 S  | * 9/1993  | Rueppel   | ..... D9/515  |
| 5,779,082 A | * 7/1998  | Miramón   | ..... 220/212 |
| D446,722 S  | * 8/2001  | Morrow    | ..... D9/449  |
| D448,295 S  | 9/2001    | Mozes     |               |
| D450,586 S  | * 11/2001 | Kick      | ..... D9/449  |

**1 Claim, 5 Drawing Sheets**

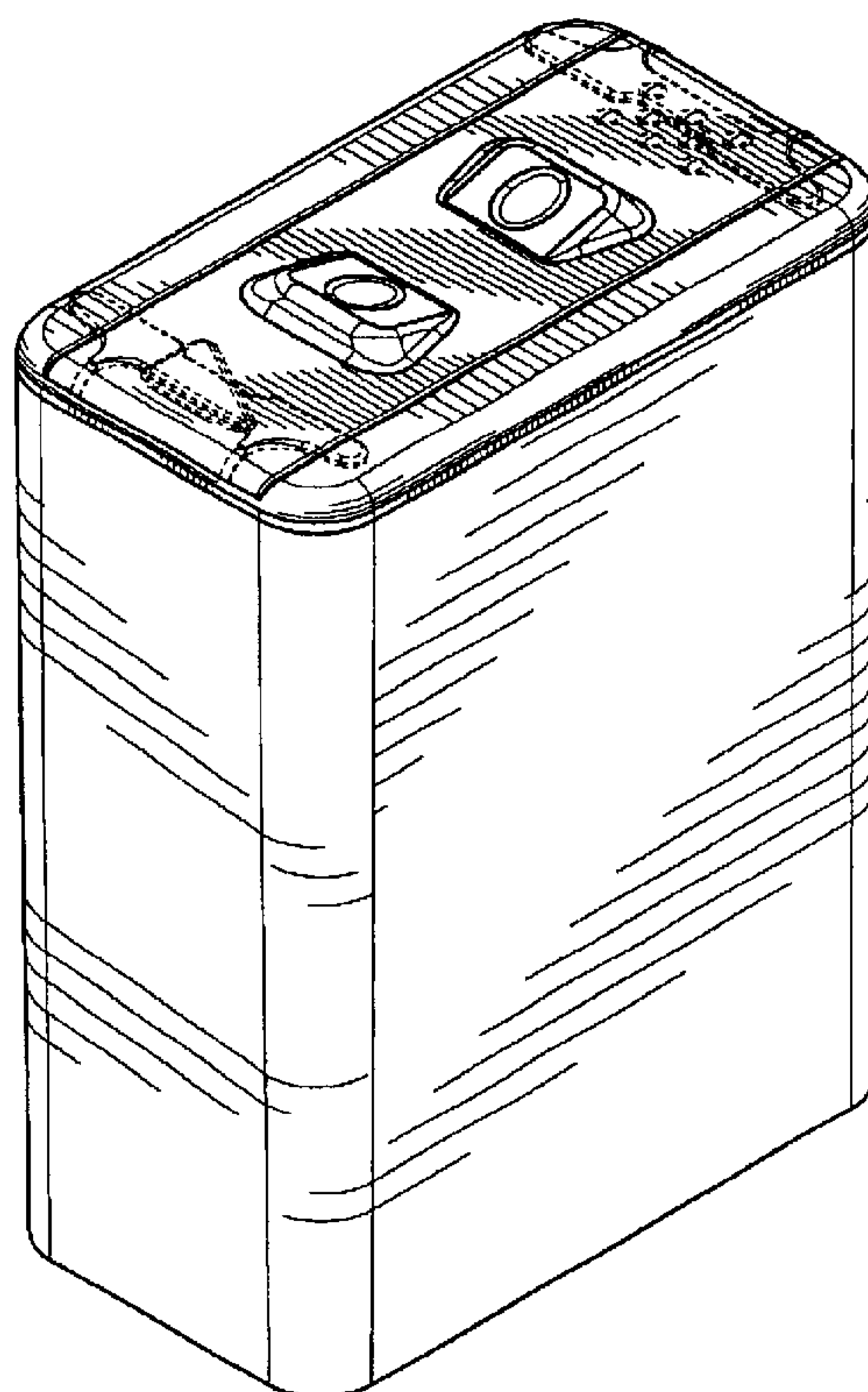


FIG. 1

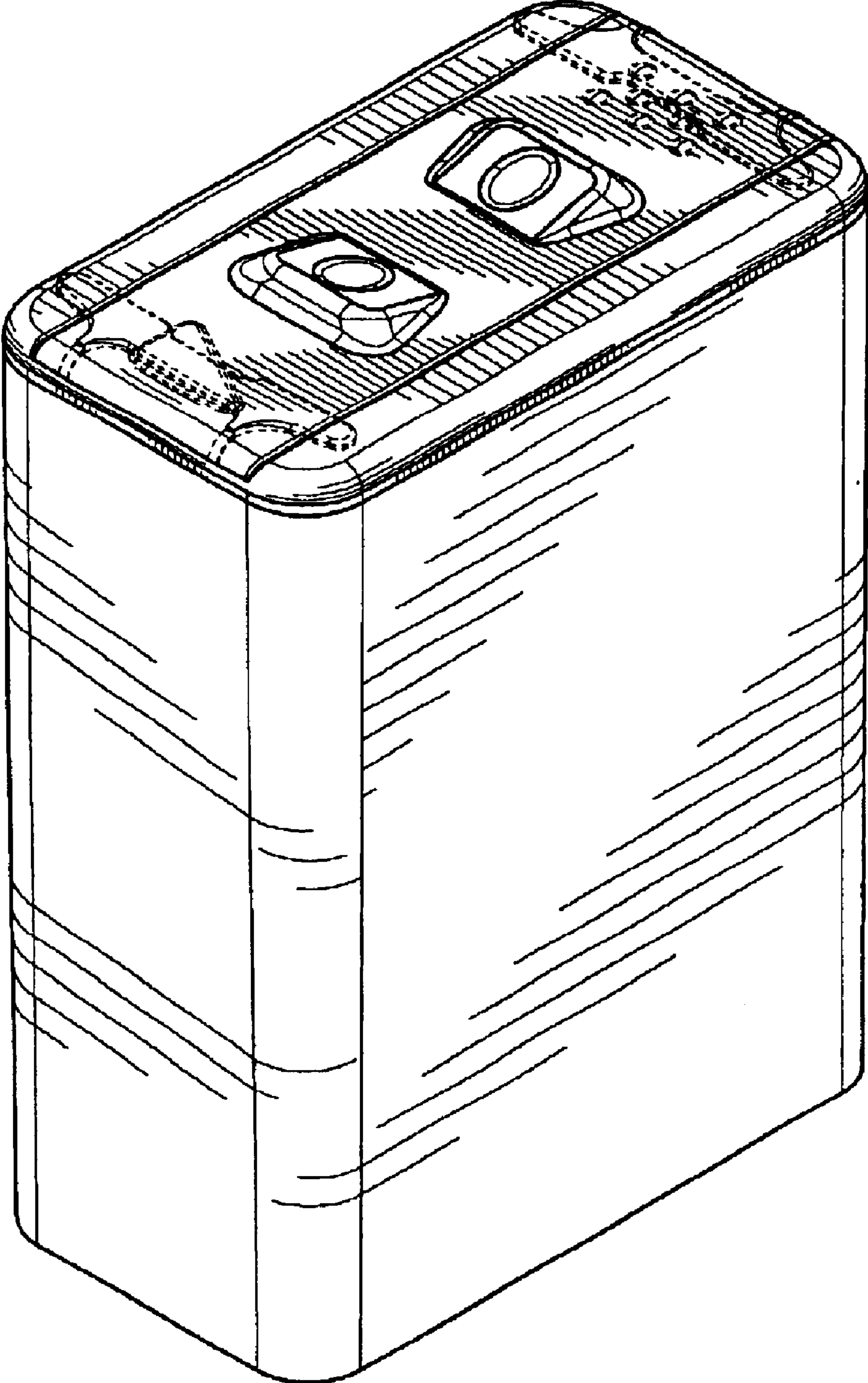
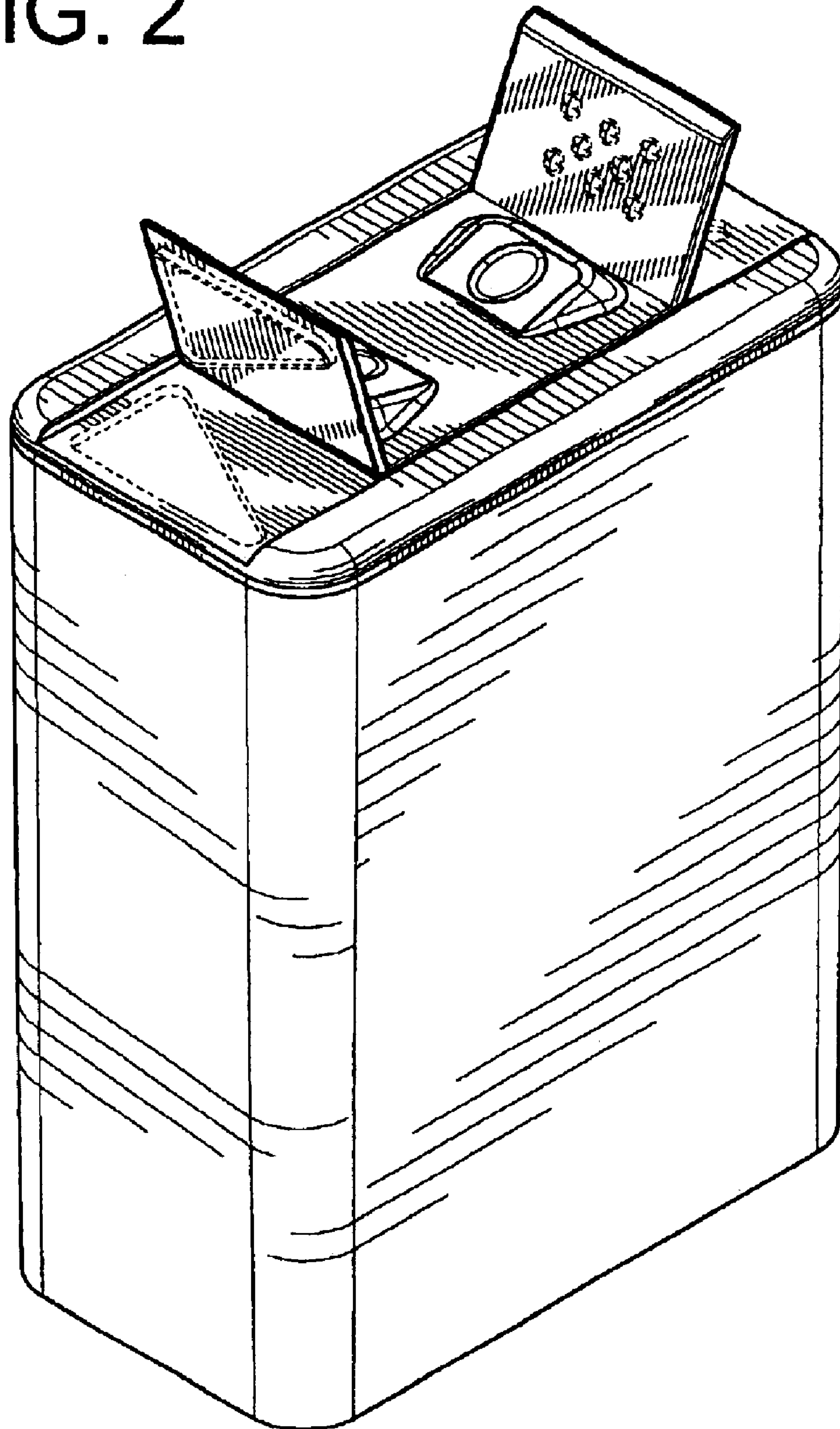


FIG. 2





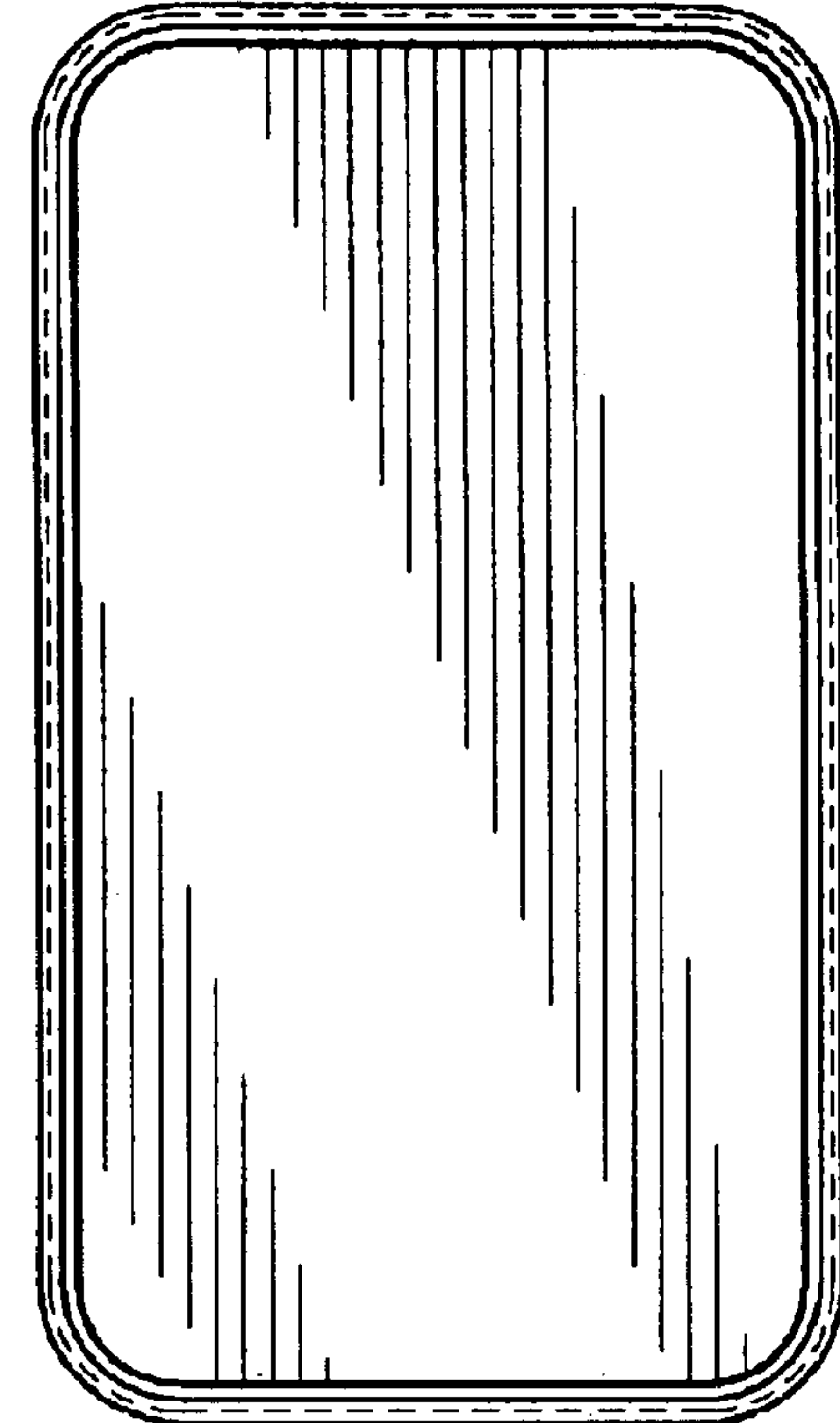


FIG. 7

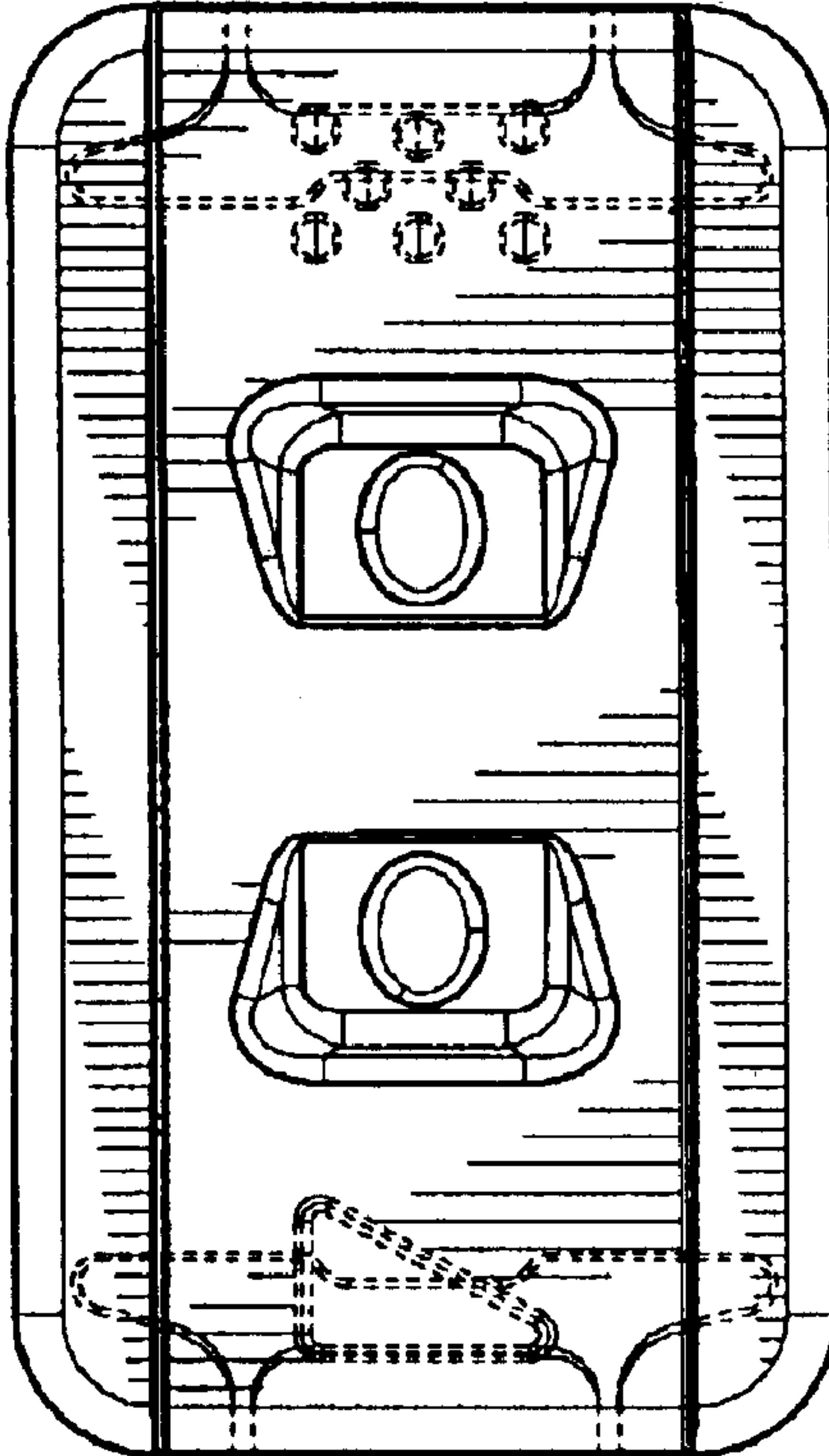


FIG. 3

FIG. 6

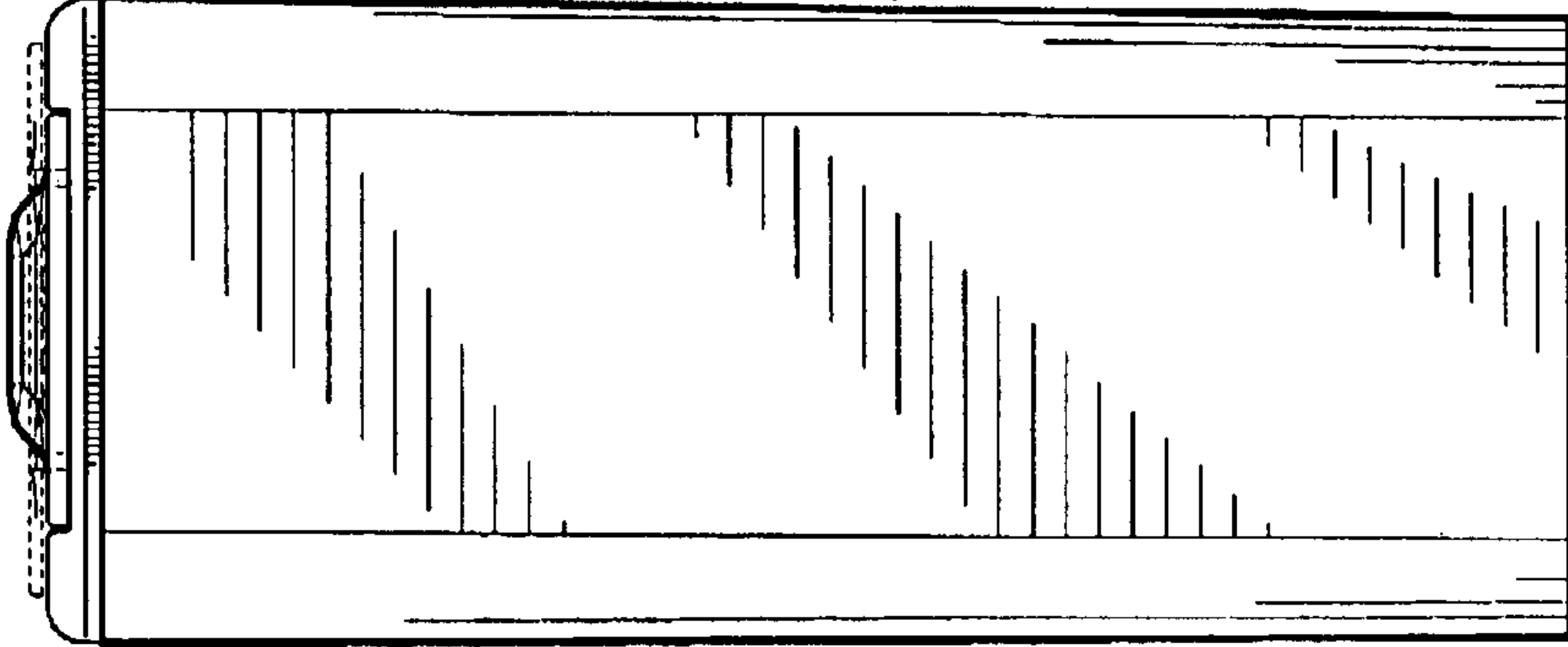


FIG. 4

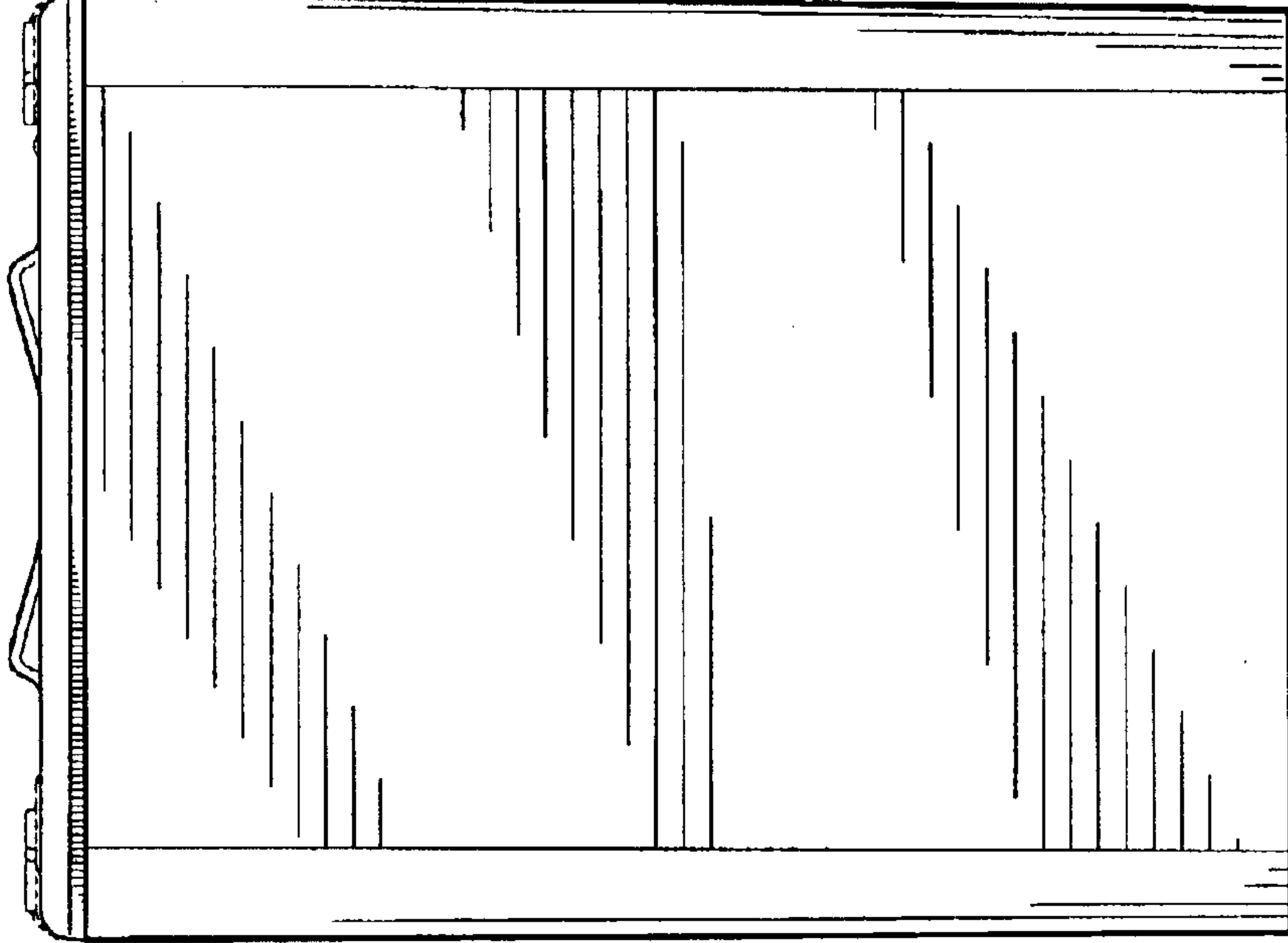


FIG. 5

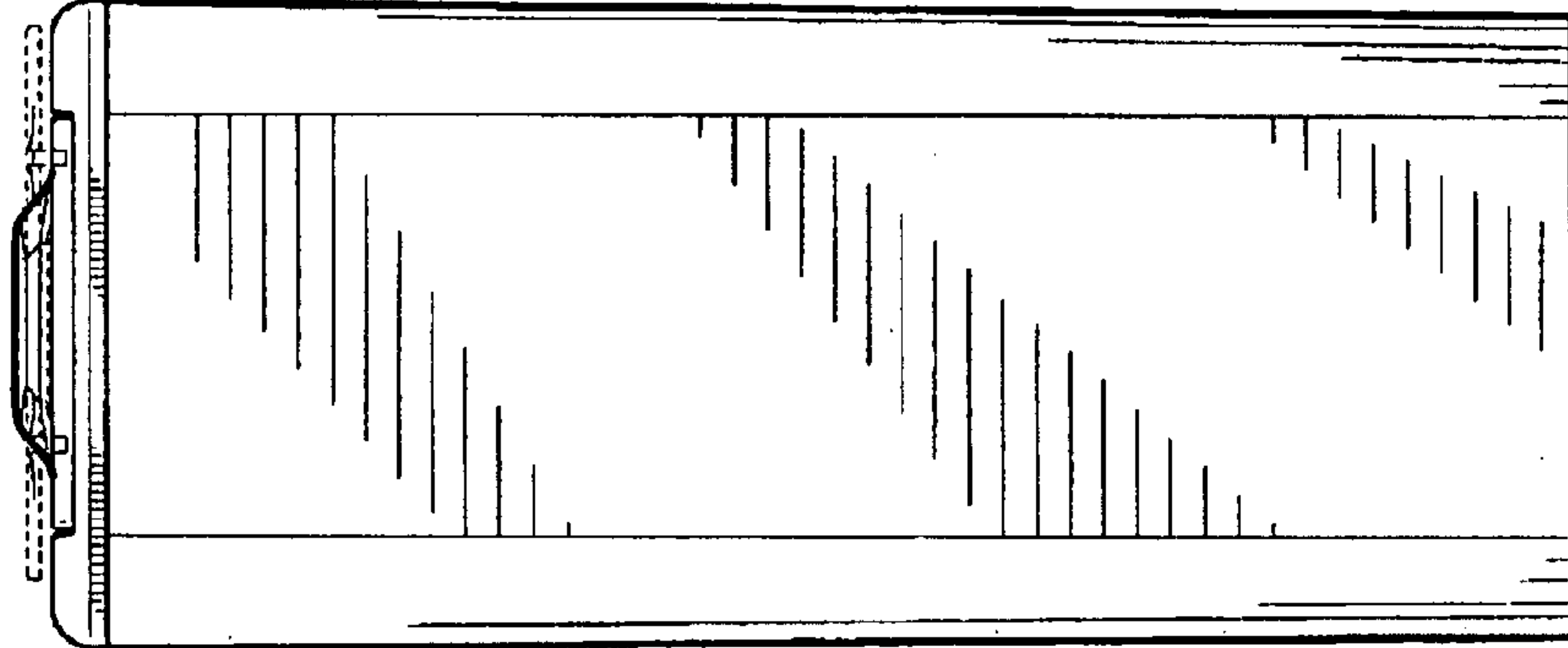


FIG. 8

