



US00D497105S1

(12) **United States Design Patent**
Trettin

(10) **Patent No.:** **US D497,105 S**
(45) **Date of Patent:** **** Oct. 12, 2004**

(54) **DISPLAY PACKAGE FOR A TOOL BIT**

FOREIGN PATENT DOCUMENTS

(75) Inventor: **David J. Trettin**, Charlotte, NC (US)

DK 94 10 538 U1 6/1994
EP 0 693 436 B1 1/1995
GB 2 316 929 B 6/1996

(73) Assignee: **Irwin Industrial Tool Company**,
Freeport, IL (US)

Primary Examiner—Prabhakar Deshmukh
(74) *Attorney, Agent, or Firm*—Brinks Hofer Gilson &
Lione

(**) Term: **14 Years**

(21) Appl. No.: **29/186,399**

(57) **CLAIM**

(22) Filed: **Jul. 15, 2003**

The ornamental design for a display package for a tool bit,
as shown and described.

(51) **LOC (7) Cl.** **09-03**

(52) **U.S. Cl.** **D9/415**

(58) **Field of Search** D9/415, 418, 414,
D9/457, 455; 206/461–471, 349, 806, 495,
476–480, 376–379, 207; D3/201, 210, 905

DESCRIPTION

(56) **References Cited**

U.S. PATENT DOCUMENTS

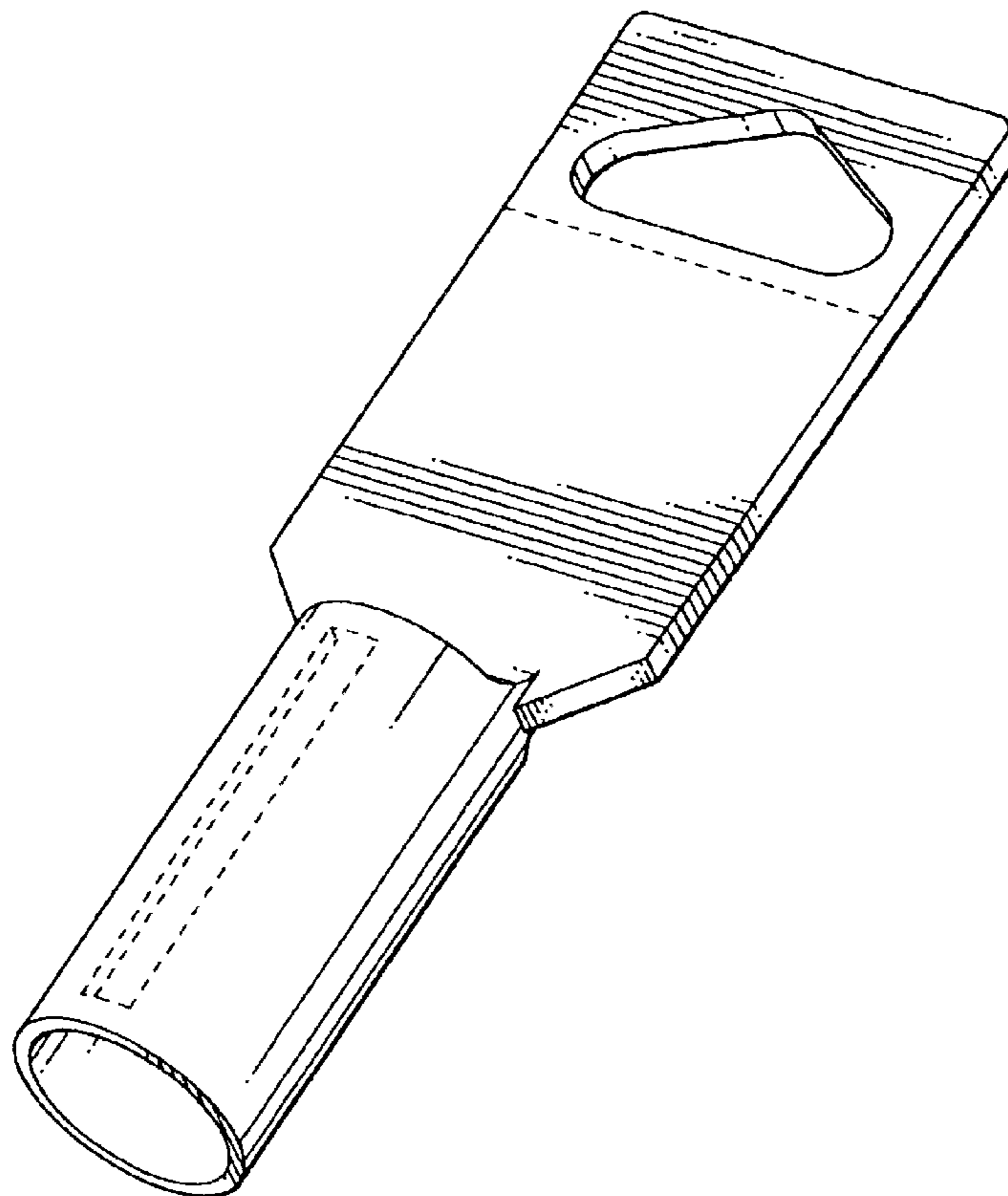
3,770,120 A	11/1973	Hanson	206/79
3,978,984 A	9/1976	Cowley	206/379
4,019,632 A	4/1977	Greenlee	206/349
4,046,279 A	9/1977	Rösler	220/8
4,210,253 A	7/1980	Rösler	220/8
4,509,656 A	4/1985	Rösler	220/8
4,586,615 A	5/1986	Quitmann	211/70.6
4,634,005 A	1/1987	Kulzer et al.	206/477

FIG. 1 is a front perspective view of a display package for
a tool bit of the present invention;
FIG. 2 is a front view thereof;
FIG. 3 is a rear view thereof;
FIG. 4 is a left-side view thereof, which is similar to a
right-side view thereof;
FIG. 5 is a bottom view thereof; and,
FIG. 6 is a top view thereof.

The ornamental design which is claimed is shown in solid
lines in the drawings. Any broken lines in the drawings are
for illustrative purposes only and form no part of the claimed
design.

(List continued on next page.)

1 Claim, 3 Drawing Sheets



US D497,105 S

Page 2

U.S. PATENT DOCUMENTS

4,667,826	A	5/1987	Salacuse	206/461	D420,577	S	2/2000	Steel et al.	D9/415	
4,995,513	A	2/1991	Rösler	206/446	6,032,797	A	3/2000	Kao	206/378	
5,028,057	A	7/1991	Wanner	279/19.3	D422,496	S	*	4/2000	Eckmann	D9/415
5,466,101	A	11/1995	Meyen	408/226	6,076,669	A	6/2000	Ling	206/349	
5,484,056	A	1/1996	Wood	206/349	6,089,798	A	7/2000	Wierspecker et al.	408/226	
5,505,570	A	4/1996	Meyen	408/58	D429,461	S	*	8/2000	Rowlay	D9/415
5,515,966	A	5/1996	Hodge et al.	206/292	6,152,299	A	11/2000	O'Malley et al.	206/349	
5,562,212	A	10/1996	Rösler	206/443	6,164,463	A	12/2000	Lee	211/70.6	
5,577,629	A	11/1996	Rösler	220/525	6,241,092	B1	6/2001	Vasudeva	206/349	
D376,312	S	12/1996	Cahn et al.	D9/415	6,241,208	B1	6/2001	Lin	248/309.1	
D376,538	S	*	12/1996	Rojnik et al.	D445,331	S	*	7/2001	Udwin et al.	D9/415
5,588,525	A	12/1996	Rösler	206/303	6,273,255	B1	8/2001	Rösler	206/378	
5,713,467	A	2/1998	Dao	206/349	D451,800	S	*	12/2001	Pryde et al.	D9/415
5,816,401	A	10/1998	Vasudeva et al.	206/377	6,345,798	B1	2/2002	Bondhus et al.	248/314	
5,908,111	A	6/1999	Purdy	206/461	6,425,482	B1	7/2002	Chiang	206/349	
5,918,741	A	7/1999	Vasudeva	206/376	D467,172	S	*	12/2002	Thompson et al.	D9/415
D413,260	S	8/1999	Vasudeva	D9/415	6,540,073	B1	4/2003	Hagel		
5,967,318	A	10/1999	Rösler	206/372	6,581,894	B1	*	6/2003	Tong	248/314
5,979,649	A	11/1999	Rösler	206/379	D478,281	S	*	8/2003	Prochaska	D9/415
5,979,652	A	11/1999	Rösler	206/481	6,659,278	B1	*	12/2003	Velliquette	206/488
5,988,381	A	11/1999	Ling	206/349							

* cited by examiner

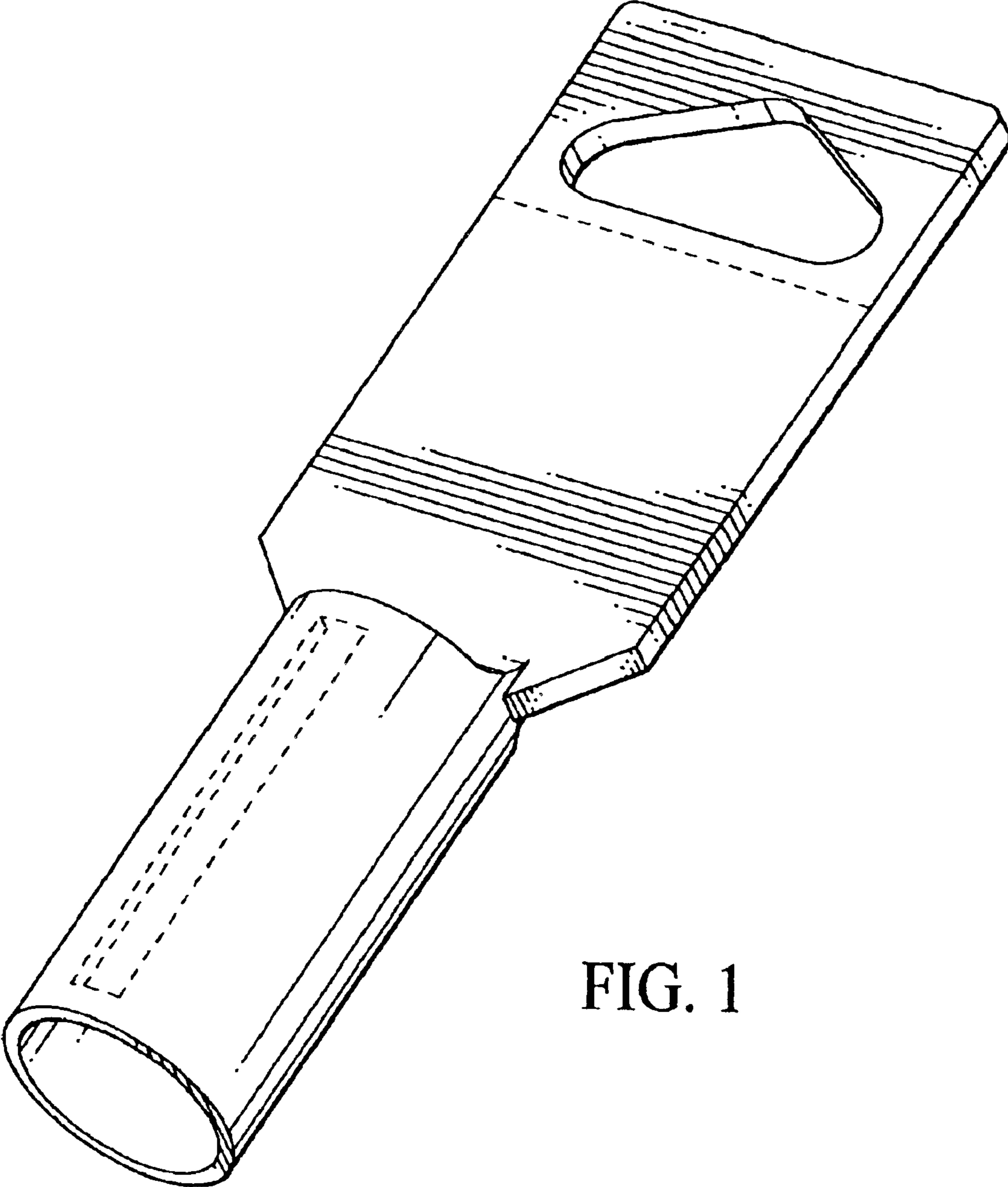
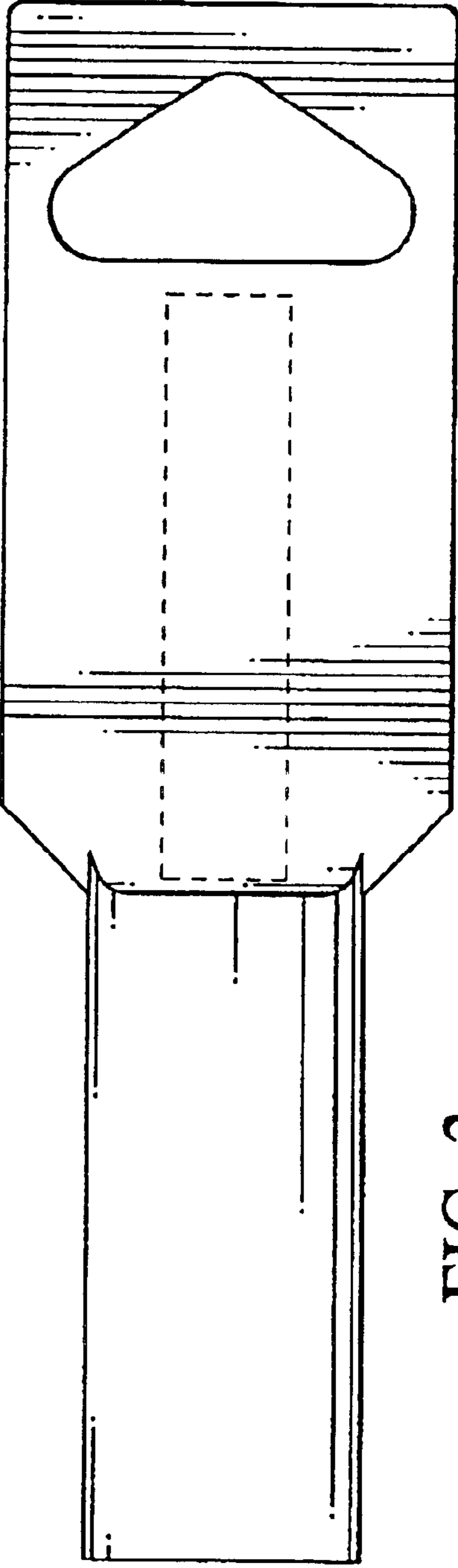
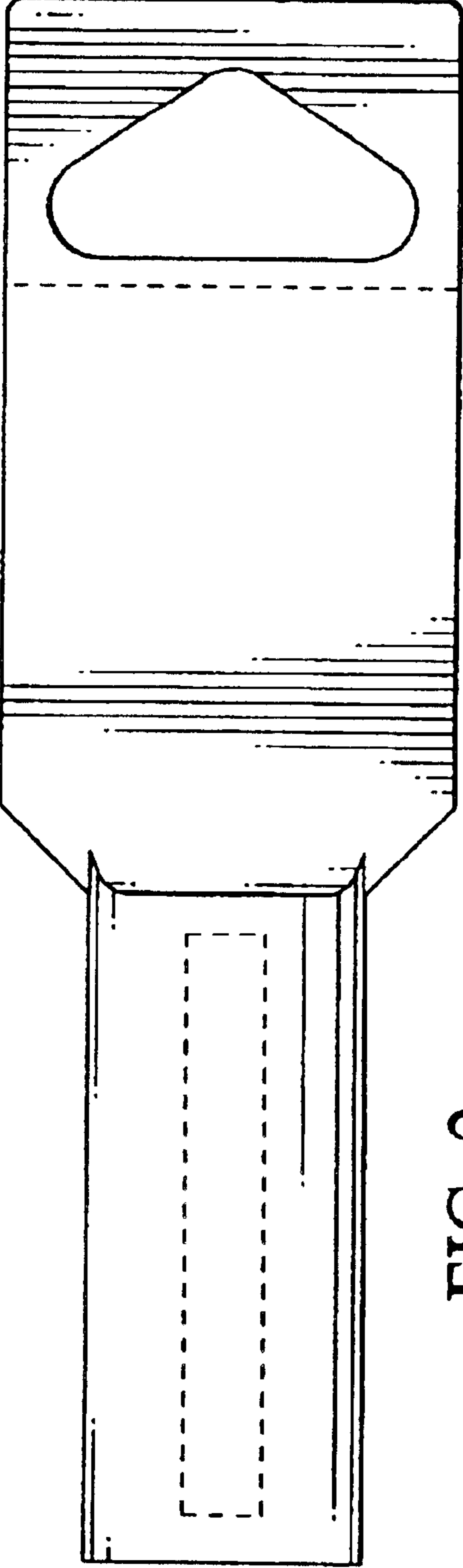


FIG. 1



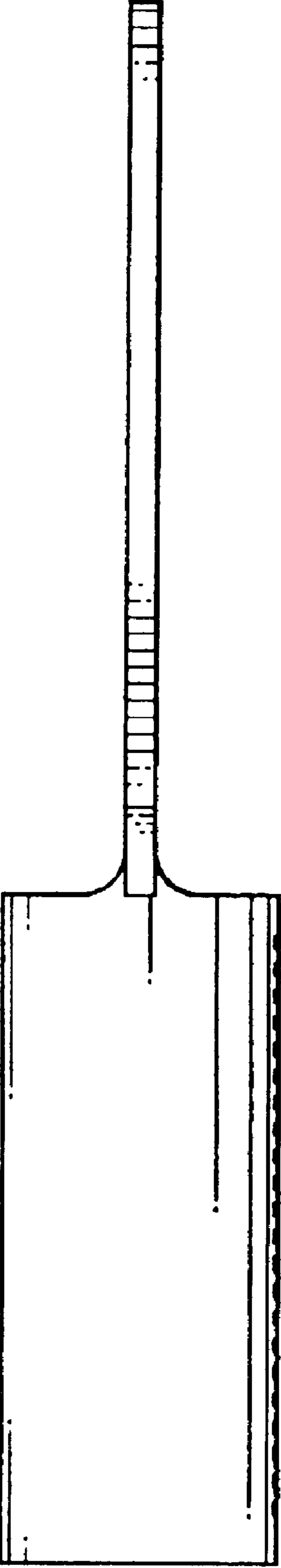


FIG. 4

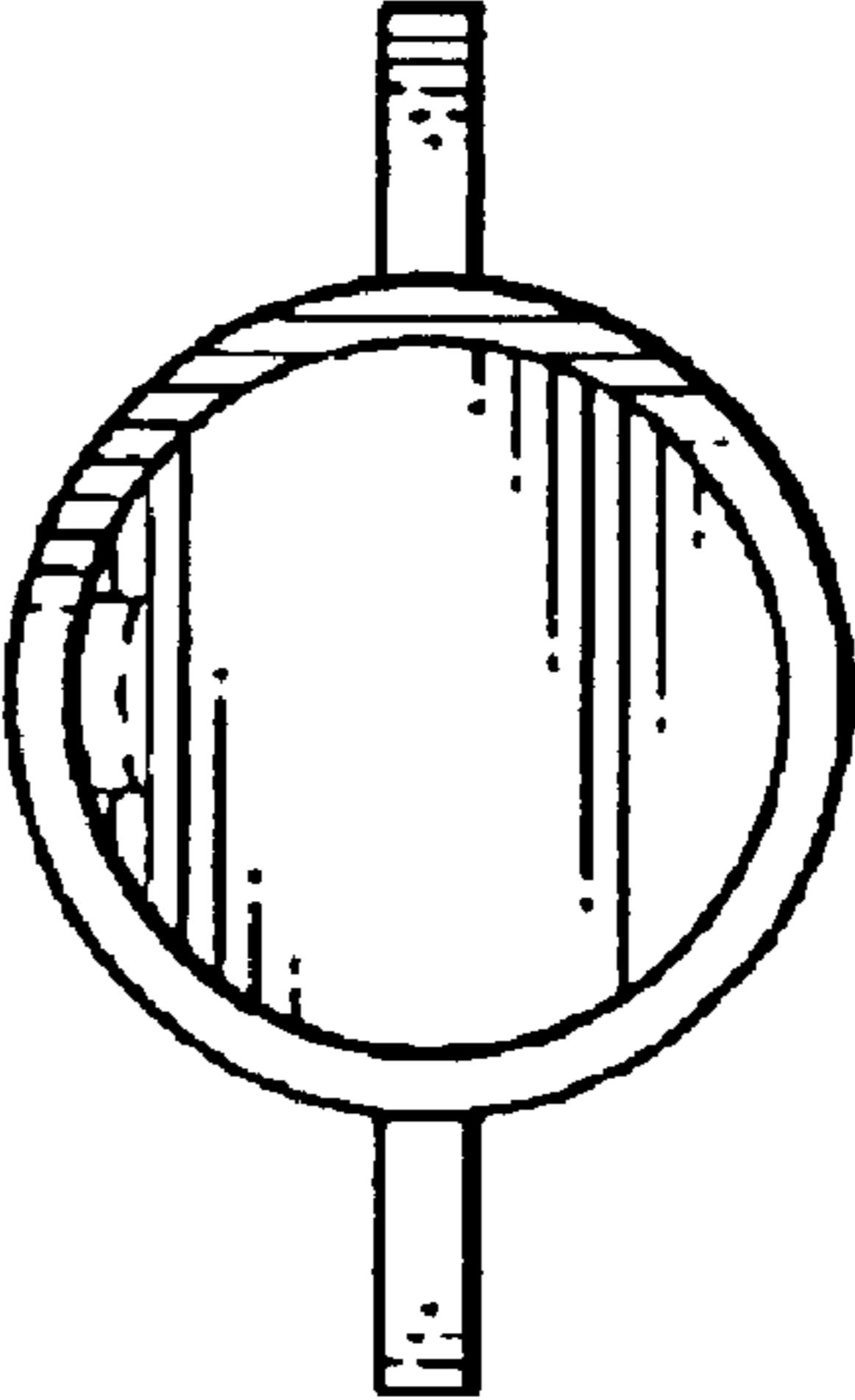


FIG. 5

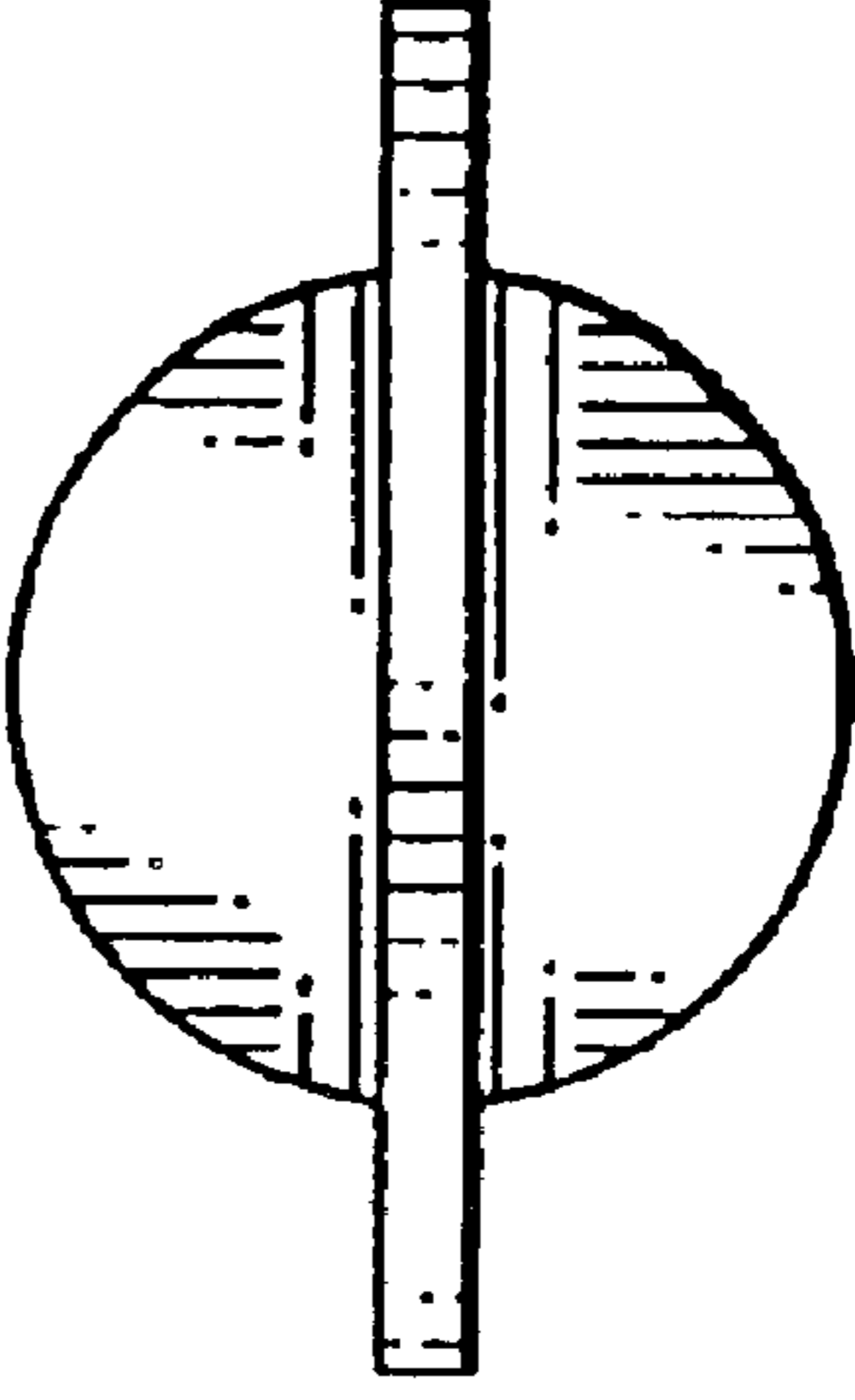


FIG. 6