

US00D497104S1

(12) **United States Design Patent**
Best et al.

(10) **Patent No.:** **US D497,104 S**
(45) **Date of Patent:** **** Oct. 12, 2004**

(54) **DUAL CHAMBER BOTTLE**
(75) Inventors: **Michael E. Best**, Southampton (GB);
Jon L. Fairley, Romsey (GB)
(73) Assignee: **The Secretary of State for Defense in**
Her Britannic Majesty's Government
of The United Kingdom of Great
Britain and Northern Ireland (GB)

4,691,828 A * 9/1987 Slusarczyk et al. 215/10 X
D292,267 S * 10/1987 Costa D9/347
D292,268 S * 10/1987 Costa D9/347
D292,373 S * 10/1987 Costa D9/347
D298,991 S * 12/1988 Stanley D6/542
D301,688 S * 6/1989 Green D9/341
D307,111 S * 4/1990 Green D9/341
D326,606 S * 6/1992 Green D9/341
D365,983 S * 1/1996 Triassi et al. D9/347
D368,855 S * 4/1996 Triassi et al. D9/347

(**) Term: **14 Years**

* cited by examiner

(21) Appl. No.: **29/190,915**

Primary Examiner—Carol Rademaker

(22) Filed: **Sep. 29, 2003**

(74) *Attorney, Agent, or Firm*—MacMillan, Sobanski &
Todd, LLC

(30) **Foreign Application Priority Data**

(57) **CLAIM**

Apr. 1, 2003 (EP) 000007109

The ornamental design for a dual chamber bottle, as shown.

(51) **LOC (7) Cl.** **09-01**

DESCRIPTION

(52) **U.S. Cl.** **D9/347**

(58) **Field of Search** D9/341, 345, 347,
D9/516, 530, 542, 543, 549, 574, 575;
215/381–385, 396, 398, 400, 6, 10

FIG. 1 is a perspective view of a collection cone embodying
my design.

FIG. 2 is a side elevational view thereof.

FIG. 3 is a front elevational view thereof.

FIG. 4 is a rear elevational view thereof.

FIG. 5 is a top plan view thereof; and,

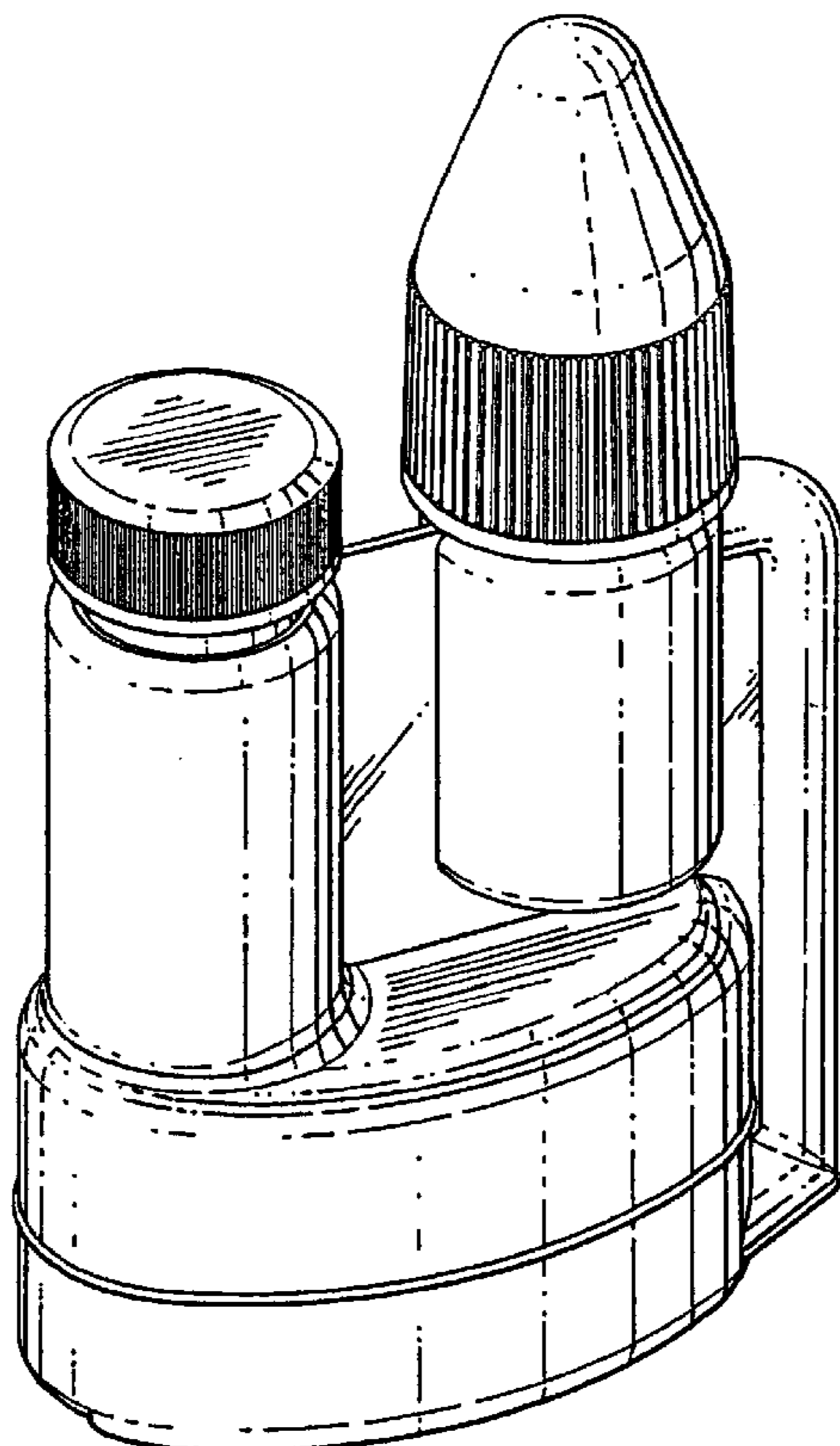
FIG. 6 is a bottom plan view thereof.

(56) **References Cited**

U.S. PATENT DOCUMENTS

D156,330 S * 12/1949 Fields D9/341
D191,251 S * 8/1961 Zackheim D24/110

1 Claim, 2 Drawing Sheets



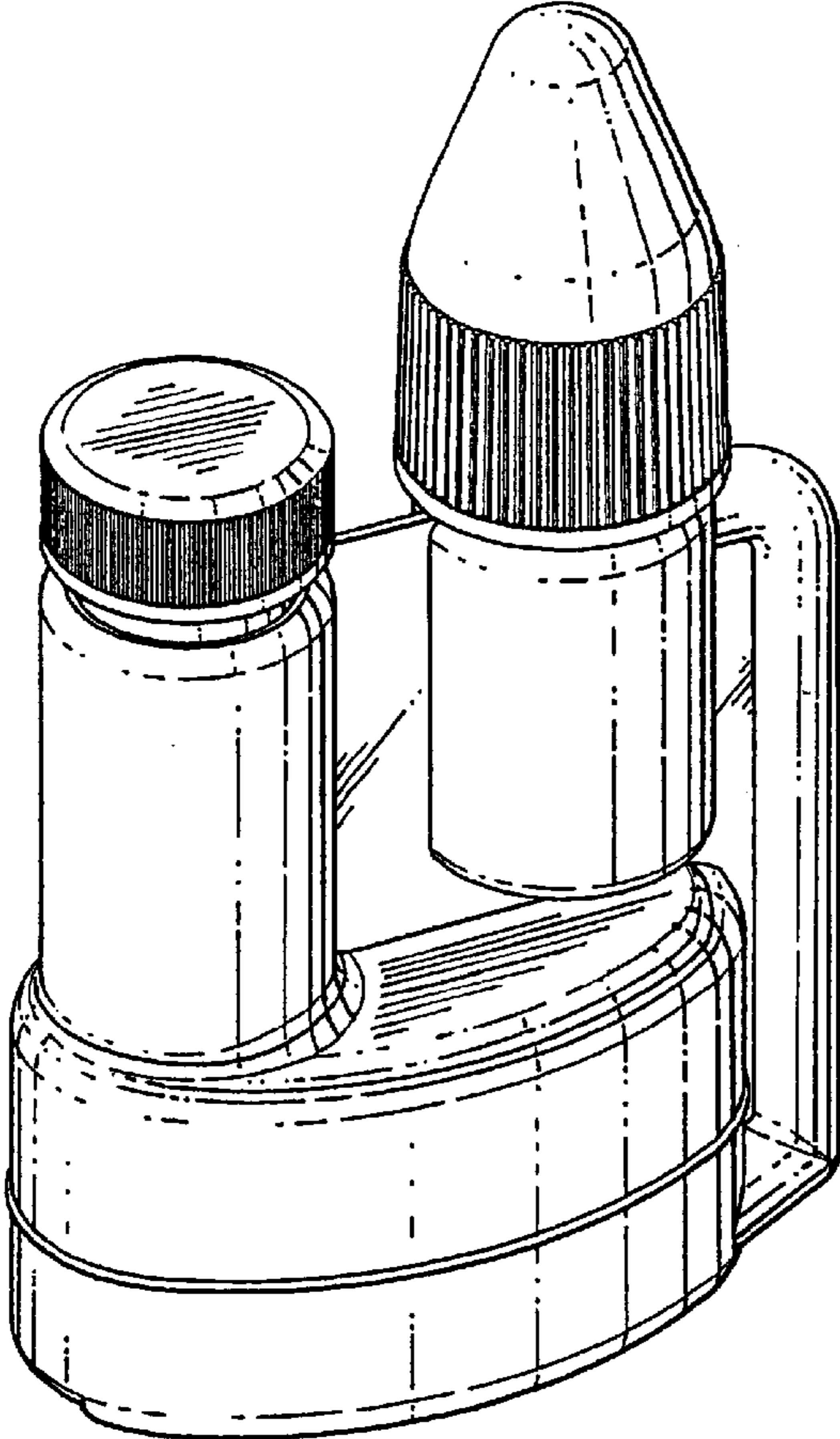


FIG. 1

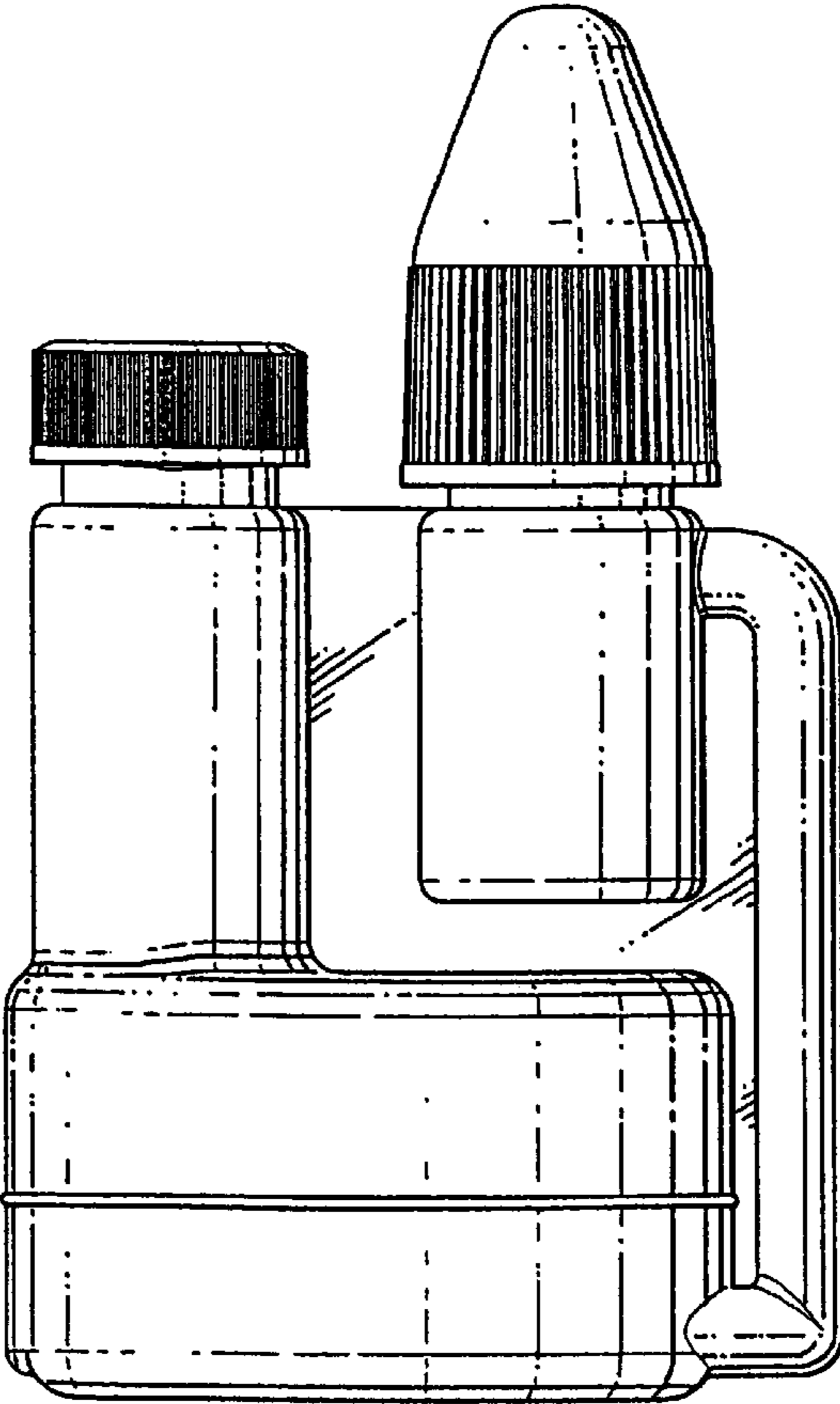


FIG. 2

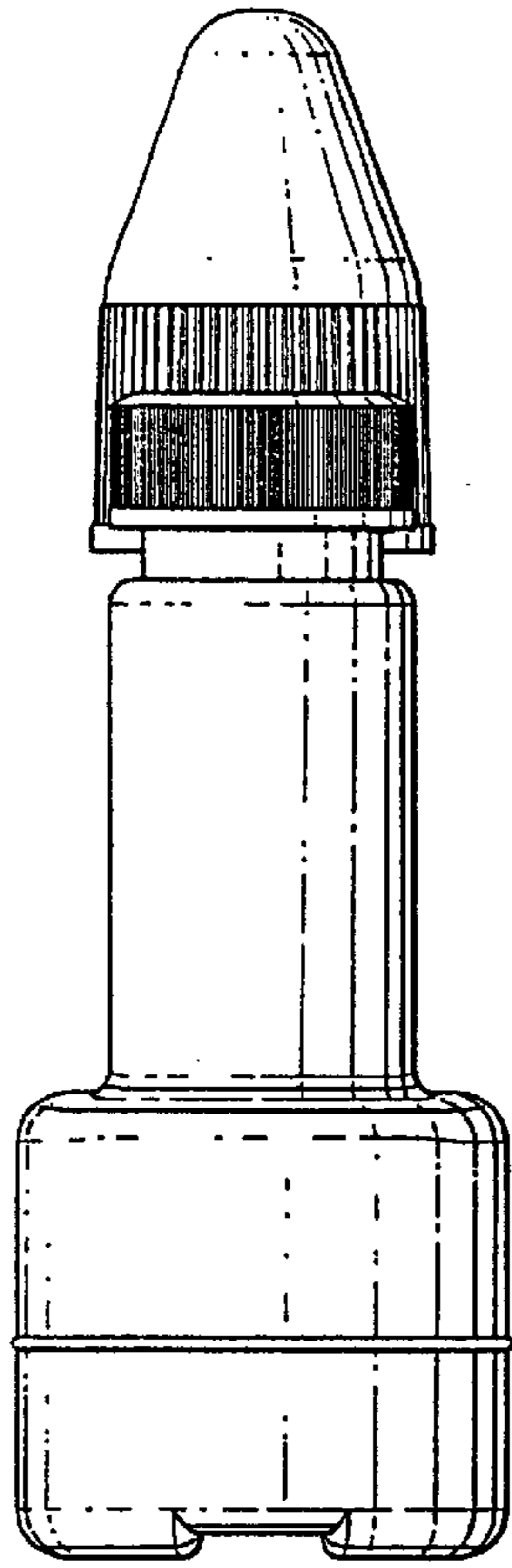


FIG. 3

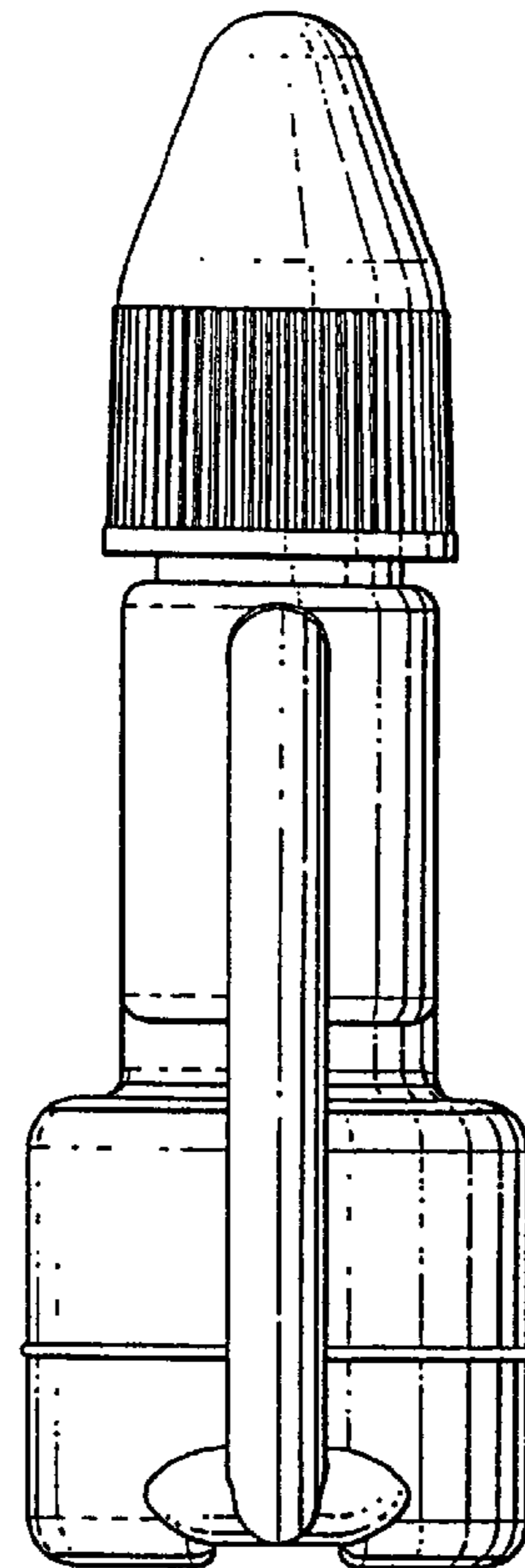


FIG. 4

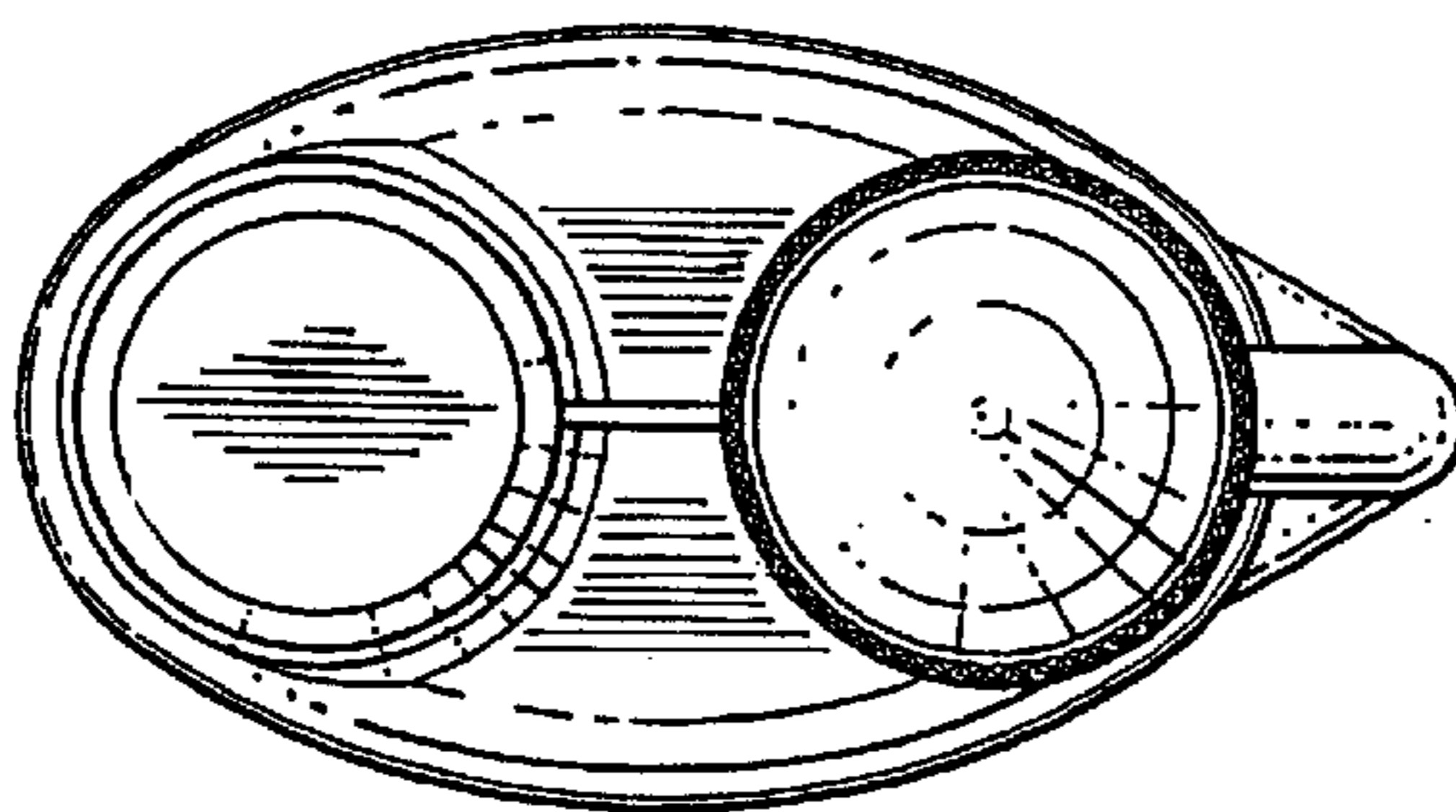


FIG. 5

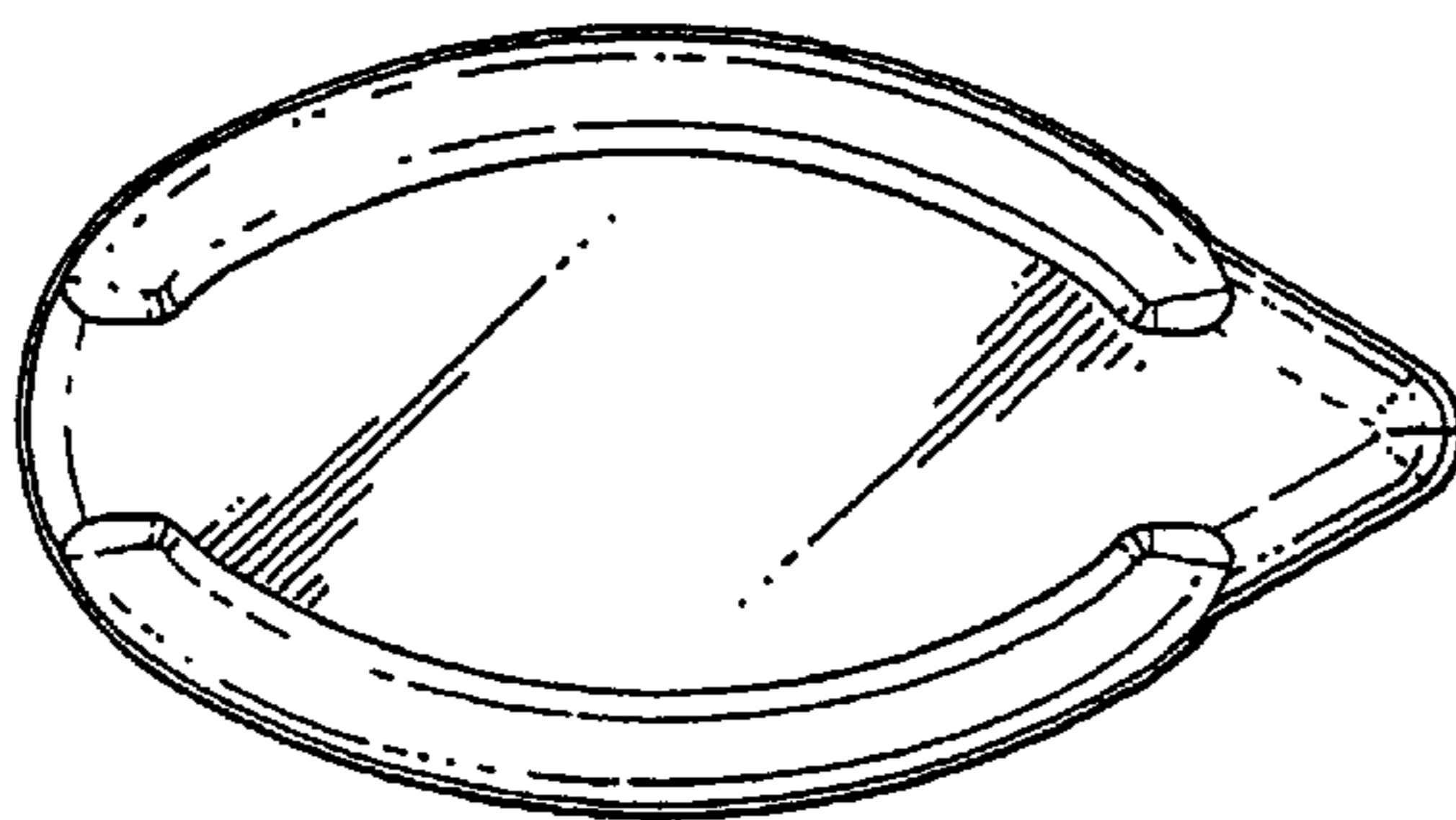


FIG. 6