

US00D497100S1

(12) **United States Design Patent**
Stephen et al.

(10) **Patent No.: US D497,100 S**
(45) **Date of Patent: ** Oct. 12, 2004**

(54) **RING-POST FASTENER**

Primary Examiner—Holly H. Baynham
(74) *Attorney, Agent, or Firm—Drummond & Duckworth*

(76) Inventors: **Robert Stephen**, 2755 Thompson
Creek Rd., Pomona, CA (US) 91767;
Curt Backman, 12509 20th N. East,
Seattle, WA (US) 98125

(57) **CLAIM**

The ornamental design for a ring-post fastener, as shown
and described.

(**) Term: **14 Years**

DESCRIPTION

(21) Appl. No.: **29/174,394**

FIG. 1 is a side view of the ring-post fastener as seen from
the front, back, left and/or right sides, showing our design;

(22) Filed: **Jan. 15, 2003**

FIG. 2 is a top view thereof;

Related U.S. Application Data

FIG. 3 is a bottom view thereof;

(63) Continuation of application No. 29/164,843, filed on Jul. 30,
2002, now abandoned.

FIG. 4 is a perspective view thereof;

(51) **LOC (7) Cl. 08-08**

FIG. 5 is a perspective view of a second embodiment of the
present invention illustrating two ring-post fasteners of FIG.

(52) **U.S. Cl. D8/382**

1 in a stacked configuration;

(58) **Field of Search D8/387; 411/411,
411/378**

FIG. 6 is a perspective view of the ring-post fastener of FIG.
1 illustrating the use of a tie strap to bundle and secure

(56) **References Cited**

U.S. PATENT DOCUMENTS

| | | | | | |
|-------------|---|---------|---------|-------|---------|
| D231,900 S | * | 6/1974 | Hewson | | D8/373 |
| D335,077 S | * | 4/1993 | Haney | | D8/387 |
| D414,403 S | * | 9/1999 | Coven | | D8/387 |
| 5,980,180 A | * | 11/1999 | Schiess | | 411/522 |

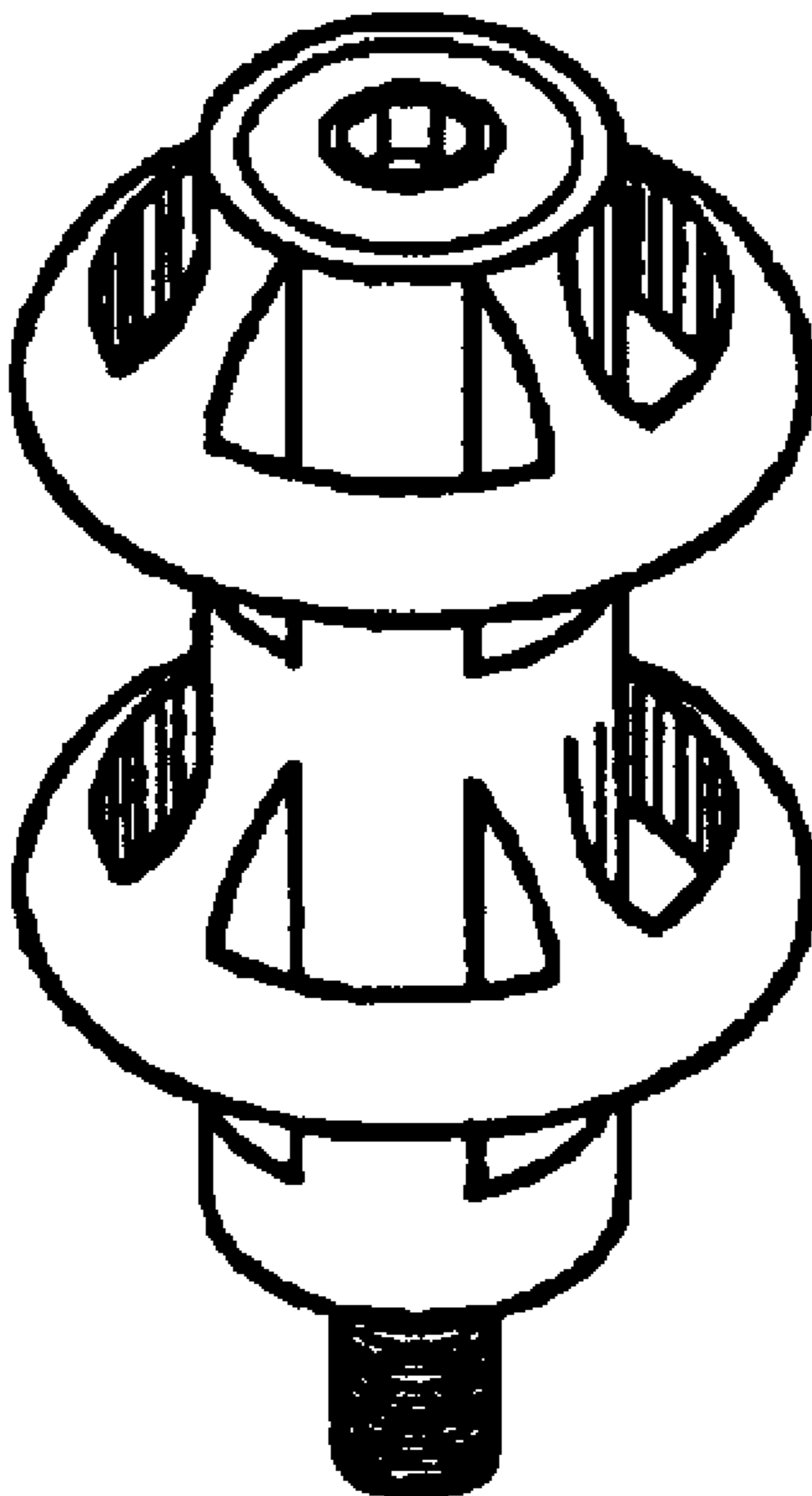
elongate objects to a support surface; and,

FIG. 7 is an additional perspective view of the ring-post
fastener shown in FIG. 1 illustrating the use of a tie strap to
bundle and secure elongate objects to a support surface.

The broken lines in FIGS. 6 and 7 showing electrical wires,
a tie strap, and support surface are for illustrative purposes
only and form no part of the design.

* cited by examiner

1 Claim, 2 Drawing Sheets



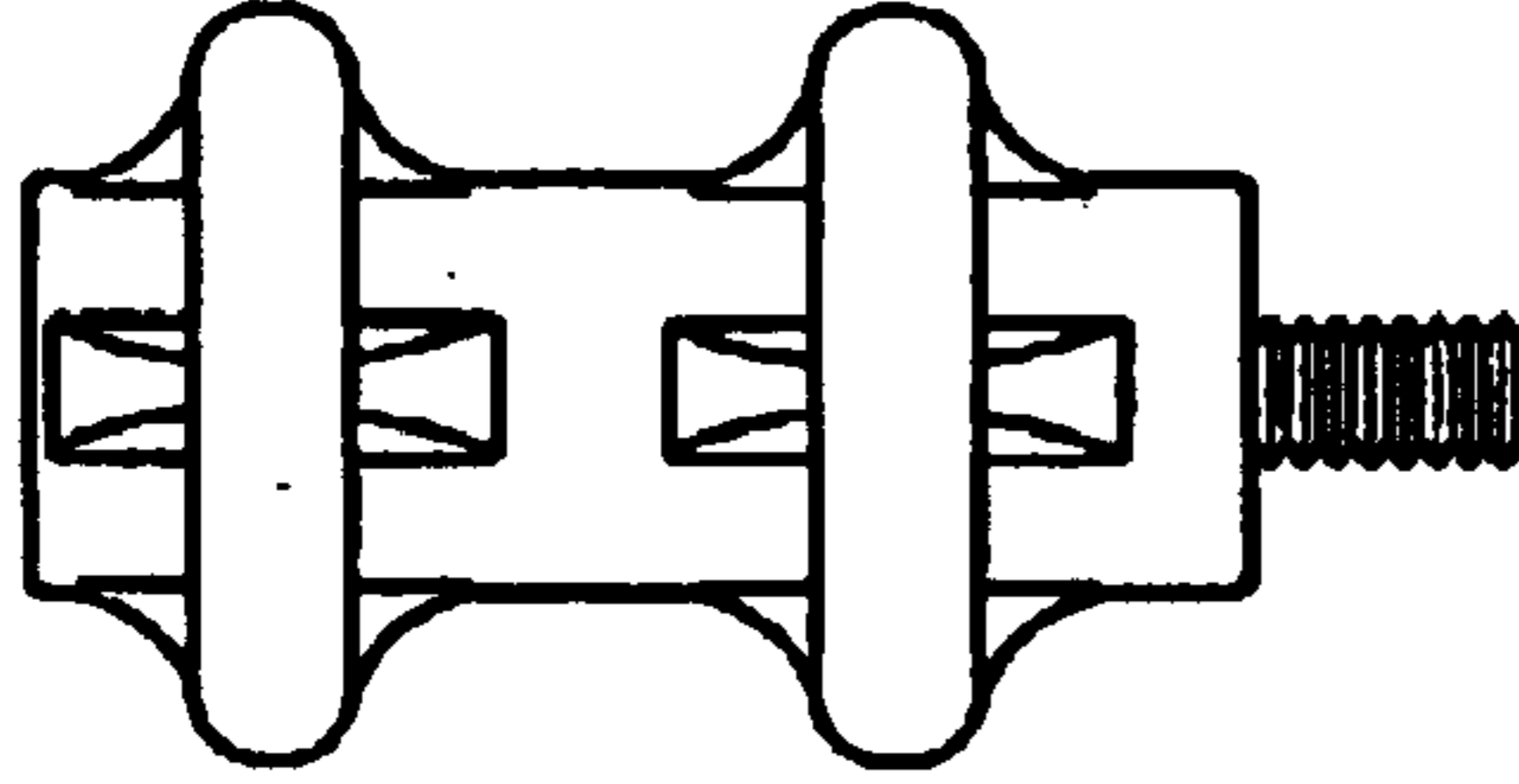


FIG. 1

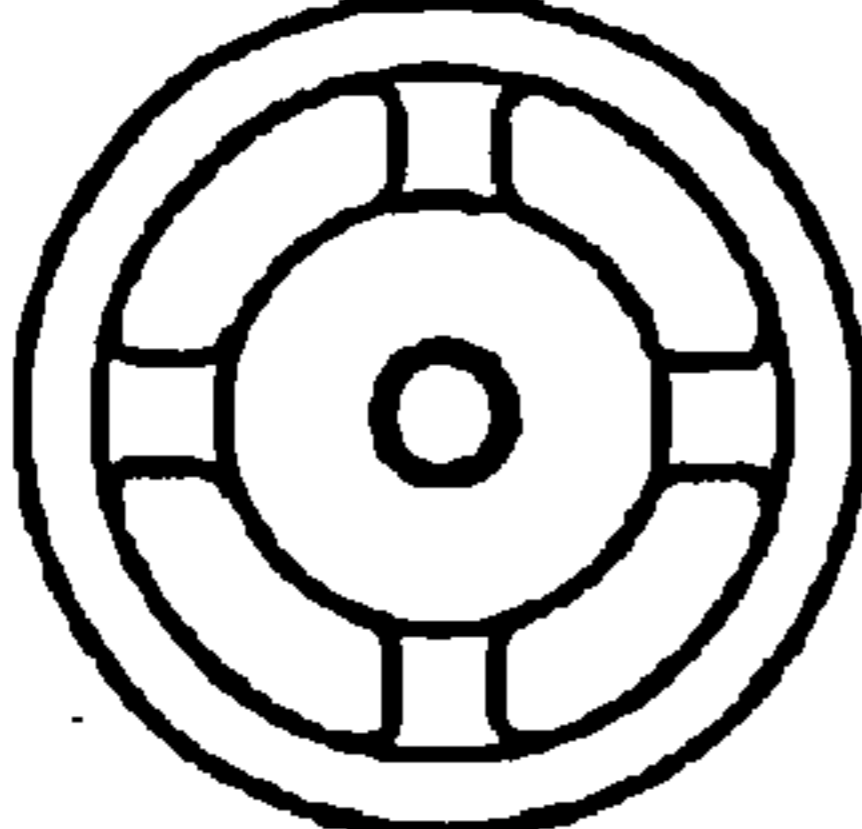


FIG. 3

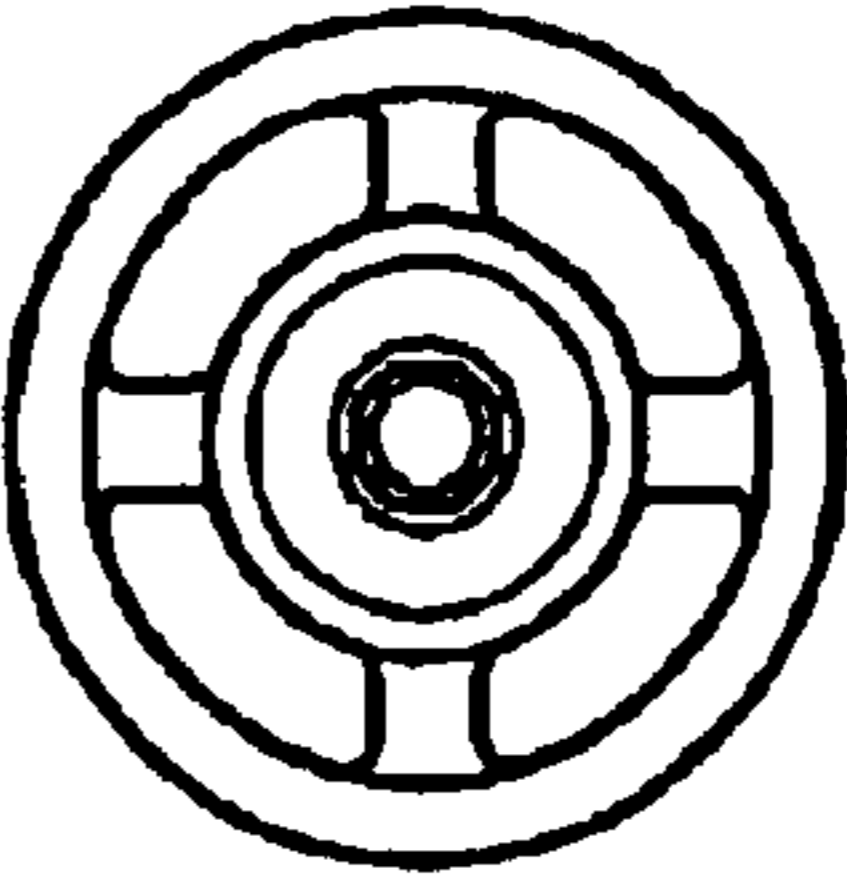


FIG. 2

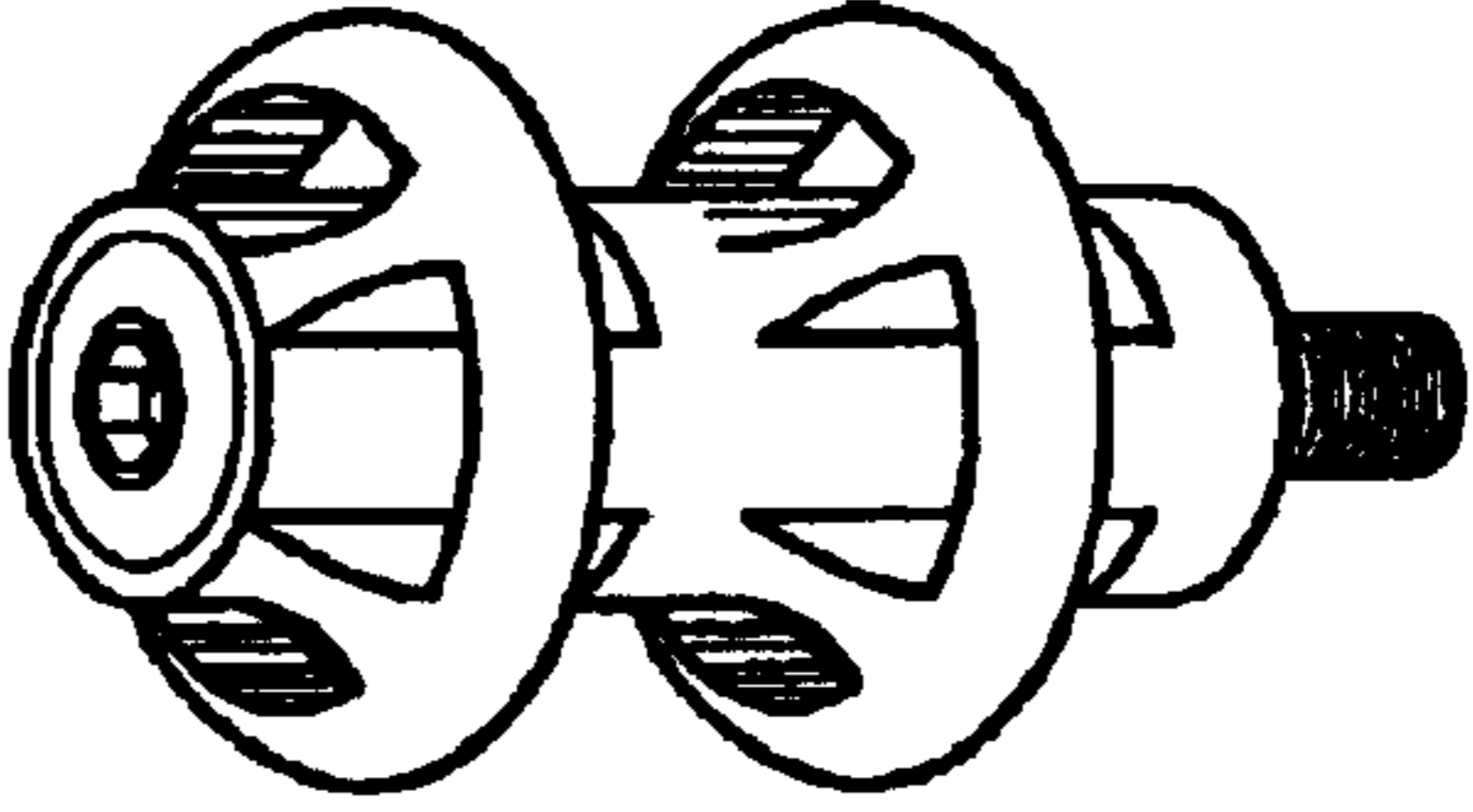


FIG. 4

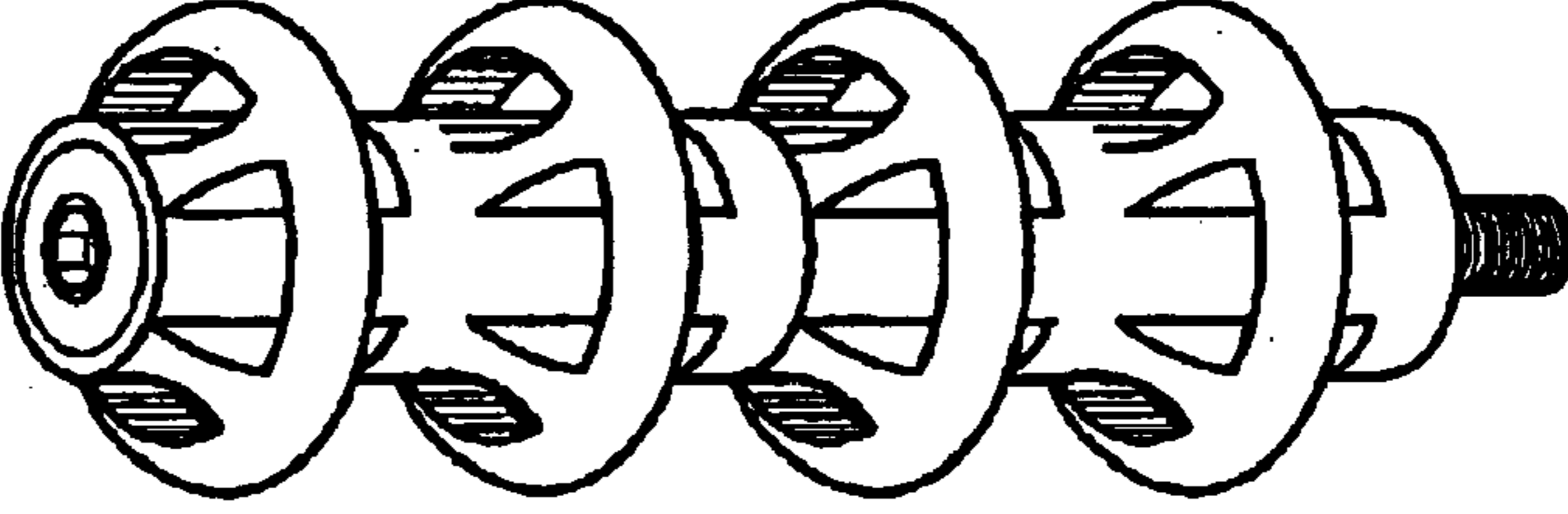


FIG. 5

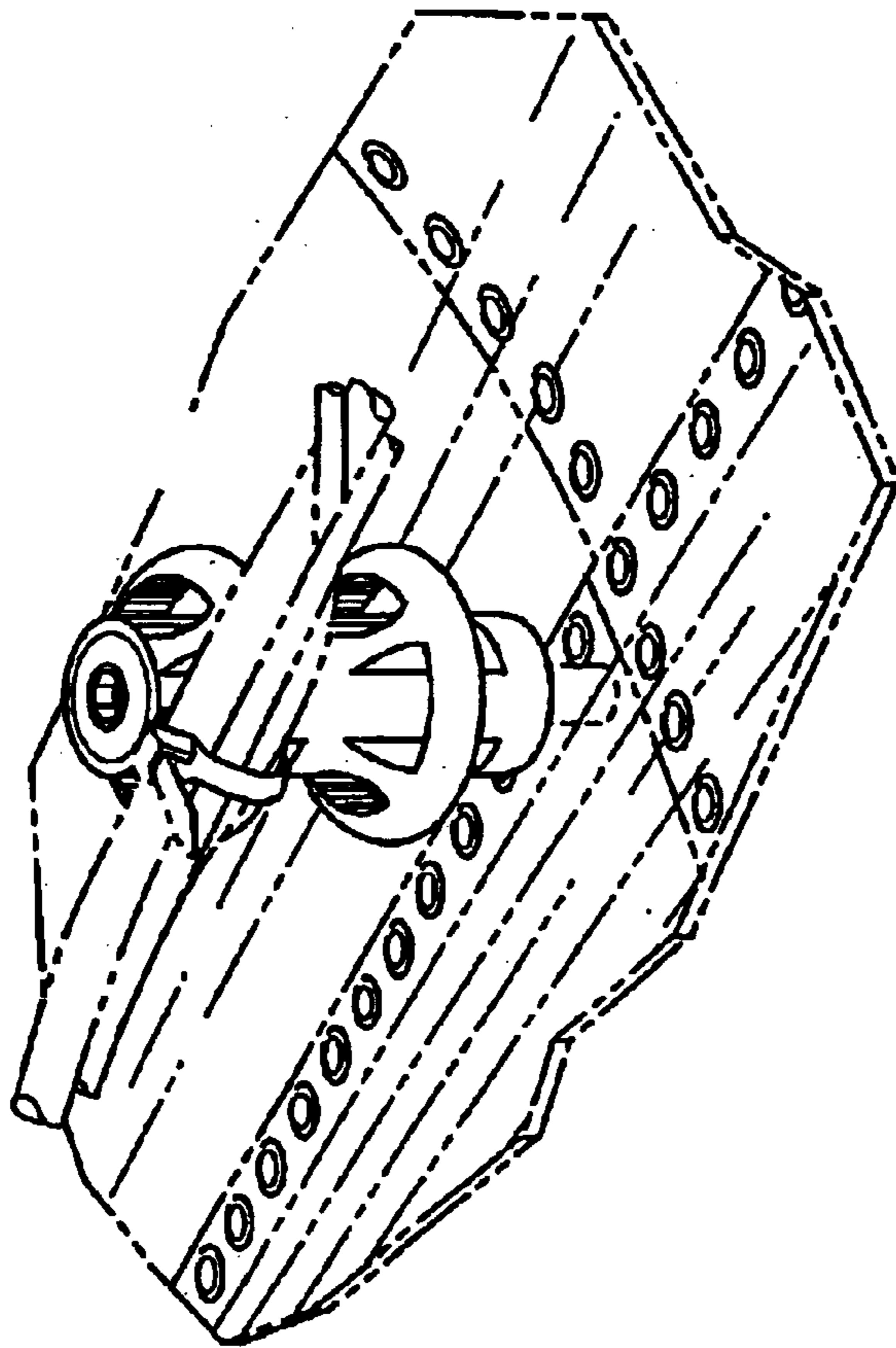


FIG. 6

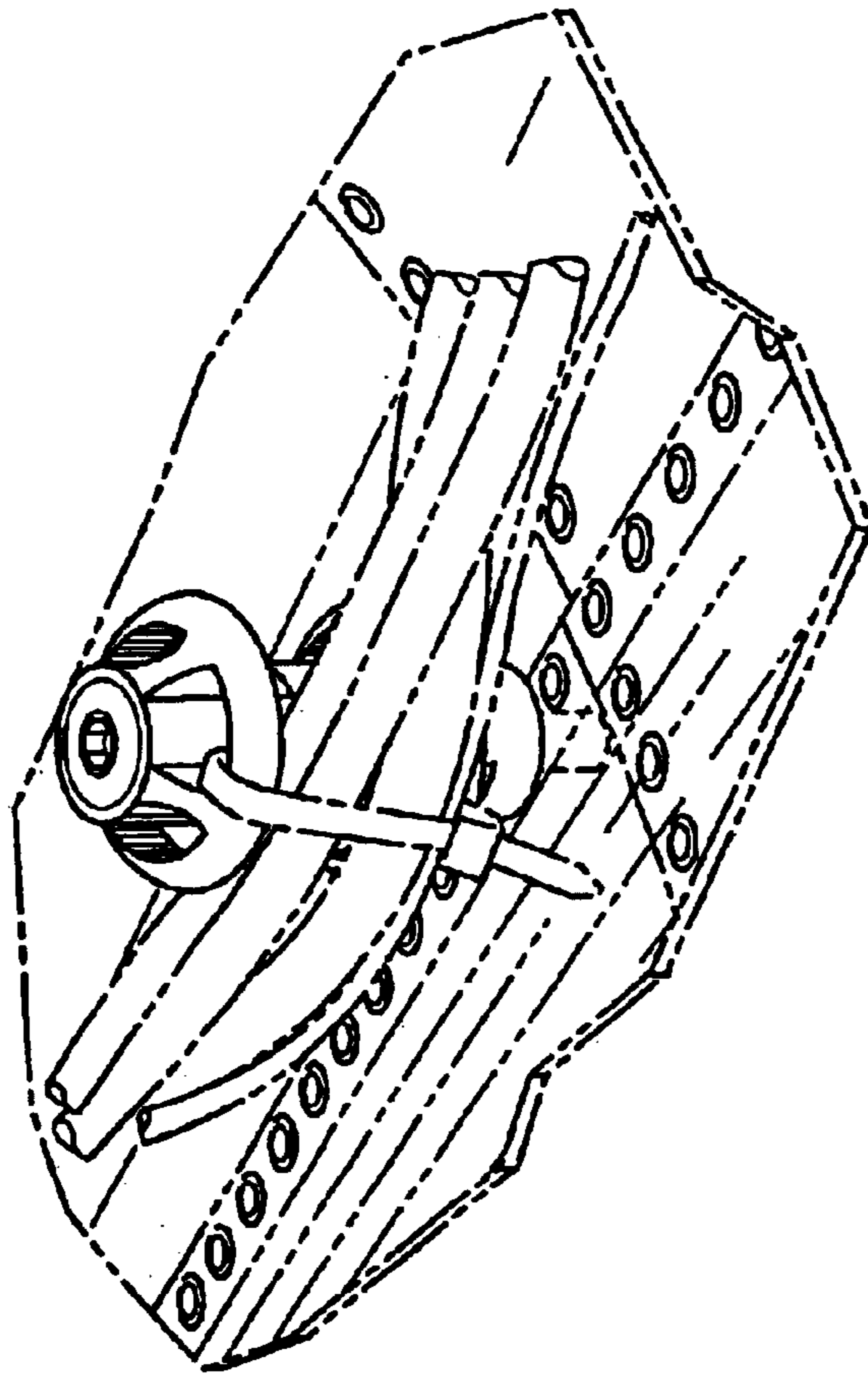


FIG. 7