

US00D497095S1

(12) **United States Design Patent** (10) **Patent No.:** **US D497,095 S**
Rivera et al. (45) **Date of Patent:** **** Oct. 12, 2004**

(54) **SIDE PLATE FOR A HANDLE, WITH AN INDENTED AREA**

(75) Inventors: **Benjamin C. Rivera**, West Linn, OR (US); **Hollan A. Tsuda**, Portland, OR (US); **Nathan E. Knight**, Portland, OR (US); **Melissa C. Yale**, Portland, OR (US); **Glenn Klecker**, Silverton, OR (US)

(73) Assignee: **Leatherman Tool Group, Inc.**, Portland, OR (US)

(**) Term: **14 Years**

(21) Appl. No.: **29/197,324**

(22) Filed: **Jan. 13, 2004**

(51) **LOC (7) Cl.** **08-05**

(52) **U.S. Cl.** **D8/107; D8/105**

(58) **Field of Search** **D8/54-56, 99, D8/105, 107; 7/118, 119, 125-135, 158, 163-166, 168; 30/160, 161; 81/427.5, 440**

(56) **References Cited**

U.S. PATENT DOCUMENTS

3,783,509 A	1/1974	Lake
D280,179 S	8/1985	Miceli
4,744,272 A	5/1988	Leatherman
5,111,581 A	5/1992	Collins

(List continued on next page.)

Primary Examiner—Clare E Heflin
(74) *Attorney, Agent, or Firm*—Chernoff, Vilhauer, McClung & Stenzel, LLP

(57) **CLAIM**

The ornamental design for a side plate for a handle, with an indented area, as shown and described.

DESCRIPTION

FIG. 1 is an isometric view from the upper left front of a side plate for a handle, with an indented area, including our new design, wherein portions of pivot pins and portions of a tool handle shown in broken line are included merely for illustrative purposes and form no part of the claimed design;

FIG. 2 is a top plan view of the side plate for a tool handle shown in FIG. 1;

FIG. 3 is a front end elevational view thereof;

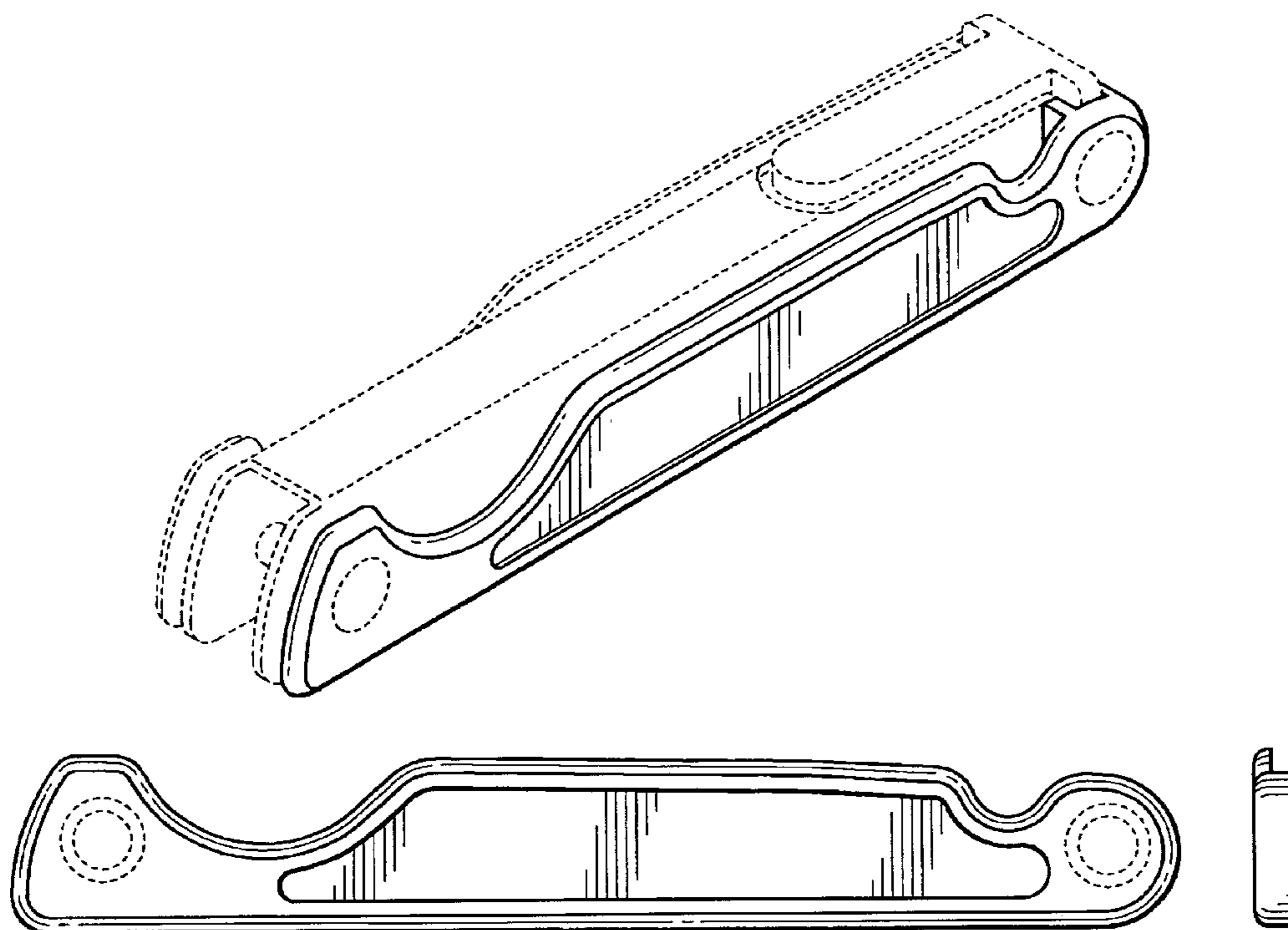
FIG. 4 is a left, or outer, side elevational view thereof, wherein countersunk holes for pivot pins shown in broken line are included merely for illustrative purposes and form no part of the claimed design;

FIG. 5 is a rear end elevational view thereof;

FIG. 6 is a bottom plan view thereof; and,

FIG. 7 is a right, or inner, side elevational view thereof, wherein holes for pivot pins shown in broken line are included merely for illustrative purposes and form no part of the claimed design.

1 Claim, 2 Drawing Sheets



US D497,095 S

Page 2

U.S. PATENT DOCUMENTS			
D332,384 S	*	1/1993 Dague	D8/105
D344,006 S		2/1994 Glesser	
D356,019 S		3/1995 Sakai	
D357,166 S	*	4/1995 Concari	D8/107
D367,807 S		3/1996 Hung	
D368,634 S		4/1996 Frazer	
D373,521 S		9/1996 Applegate et al.	
D382,190 S		8/1997 Blackston et al.	
D384,872 S		10/1997 Yeh	
D385,170 S		10/1997 Rivera	
5,711,194 A		1/1998 Anderson	
D398,209 S		9/1998 Rivera	
D398,213 S		9/1998 Rivera	
D405,675 S		2/1999 Rivera	
D405,676 S		2/1999 Rivera	
D406,508 S		3/1999 Rivera	
D406,509 S		3/1999 Rivera	
D407,004 S		3/1999 Hull et al.	
D408,238 S		4/1999 Rivera	
6,003,180 A	*	12/1999 Frazer	7/128
D427,501 S		7/2000 Rivera	
D436,514 S	*	1/2001 Rivera	D8/105
D445,009 S		7/2001 Rivera	
D446,708 S		8/2001 Rivera	
D446,709 S		8/2001 Rivera	
D447,039 S		8/2001 Rivera	
D447,041 S		8/2001 Rivera	
D447,401 S		9/2001 Rivera	
6,282,996 B1		9/2001 Berg et al.	
6,305,041 B1		10/2001 Montague et al.	
6,318,218 B1	*	11/2001 Anderson et al.	81/440
6,427,334 B2		8/2002 Onion	
D470,031 S		2/2003 Rivera	
D470,032 S		2/2003 Rivera	
D470,372 S		2/2003 Rivera	
D474,670 S		5/2003 Rivera	
D479,788 S	*	9/2003 Ocklenburg	D8/105
6,622,328 B2	*	9/2003 Rivera	7/128
6,625,832 B2	*	9/2003 Montague et al.	7/128

* cited by examiner

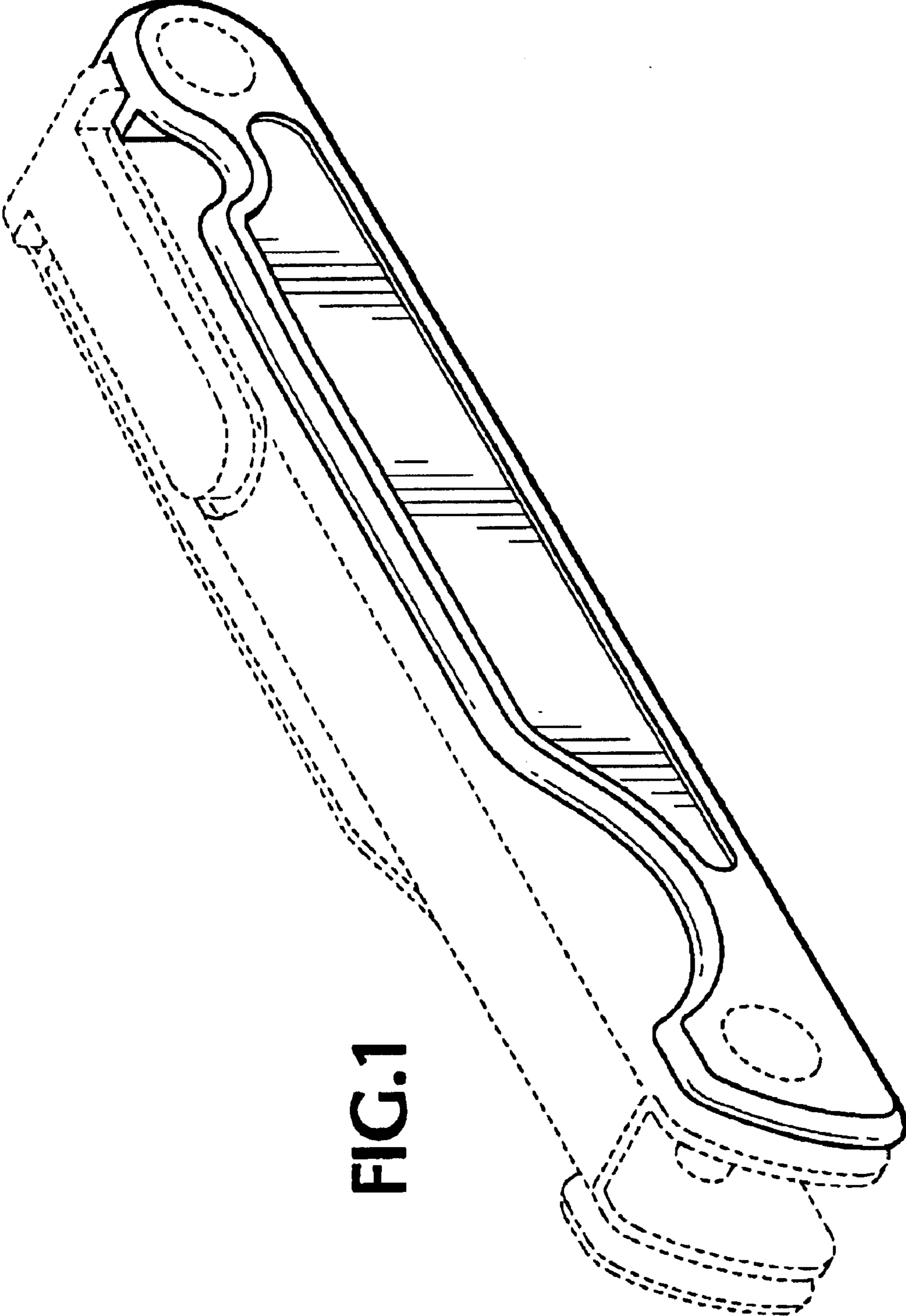


FIG.1



FIG. 2



FIG. 5

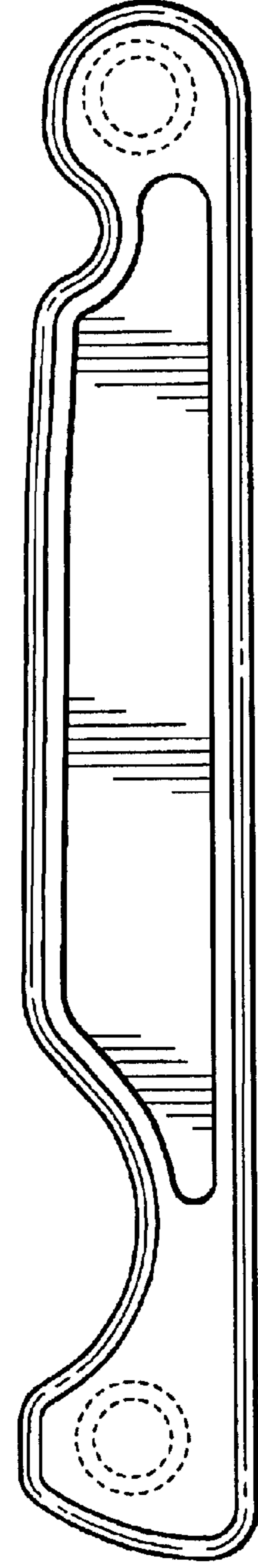


FIG. 4



FIG. 3



FIG. 6

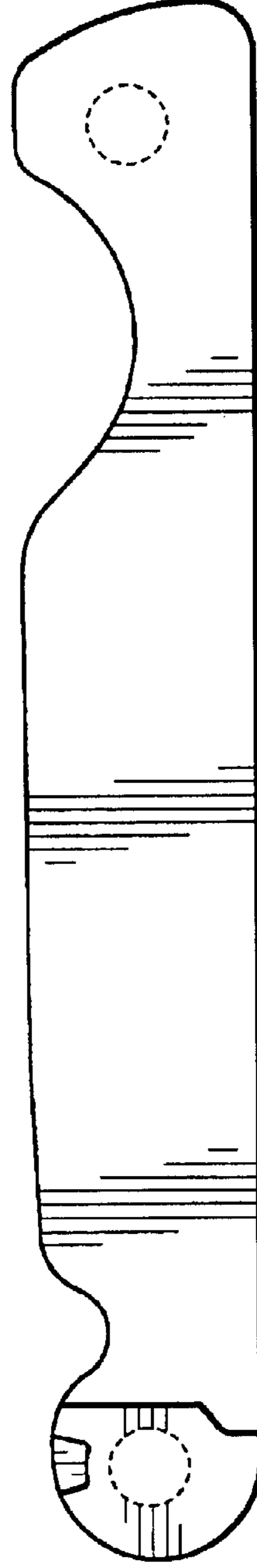


FIG. 7