

US00D497094S1

(12) **United States Design Patent**  
**Rivera et al.**

(10) **Patent No.: US D497,094 S**  
(45) **Date of Patent: \*\* Oct. 12, 2004**

(54) **HANDLE WITH MARGIN INSERTS, FOR A FOLDING MULTIPURPOSE TOOL**

(75) Inventors: **Benjamin C. Rivera**, West Linn, OR (US); **Hollan A. Tsuda**, Portland, OR (US); **Nathan E. Knight**, Portland, OR (US); **Melissa C. Yale**, Portland, OR (US); **Glenn Klecker**, Silverton, OR (US)

(73) Assignee: **Leatherman Tool Group, Inc.**, Portland, OR (US)

(\*\*) Term: **14 Years**

(21) Appl. No.: **29/197,323**

(22) Filed: **Jan. 13, 2004**

(51) **LOC (7) Cl. .... 08-05**

(52) **U.S. Cl. .... D8/107; D8/105**

(58) **Field of Search .... D8/54-56, 99, D8/105, 107; 7/118, 119, 125-135, 158, 163-166, 168; 30/160, 161; 81/427.5, 440**

(56) **References Cited**

**U.S. PATENT DOCUMENTS**

1,362,143 A \* 12/1920 Rohrer ..... 30/161  
2,869,232 A 1/1959 Kivela  
3,783,509 A 1/1974 Lake

(List continued on next page.)

*Primary Examiner*—Clare E Heflin

(74) *Attorney, Agent, or Firm*—Chernoff, Vilhauer, McClung & Stenzel, LLP

(57) **CLAIM**

The ornamental design for a handle with margin inserts, for a folding multipurpose tool, as shown and described.

**DESCRIPTION**

FIG. 1 is an isometric view from the upper right front of a handle with margin inserts, for a folding multipurpose tool, including our new design, wherein an outer, or rear, end portion of a spring and portions of pivot pins shown in broken line are included merely for illustrative purposes and form no part of the claimed design;

FIG. 2 is a right side elevational view thereof, the left side elevational view being a mirror image thereof, and wherein the outer, or rear, end portion of a spring and portions of pivot pins shown in broken line are included merely for illustrative purposes and form no part of the claimed design;

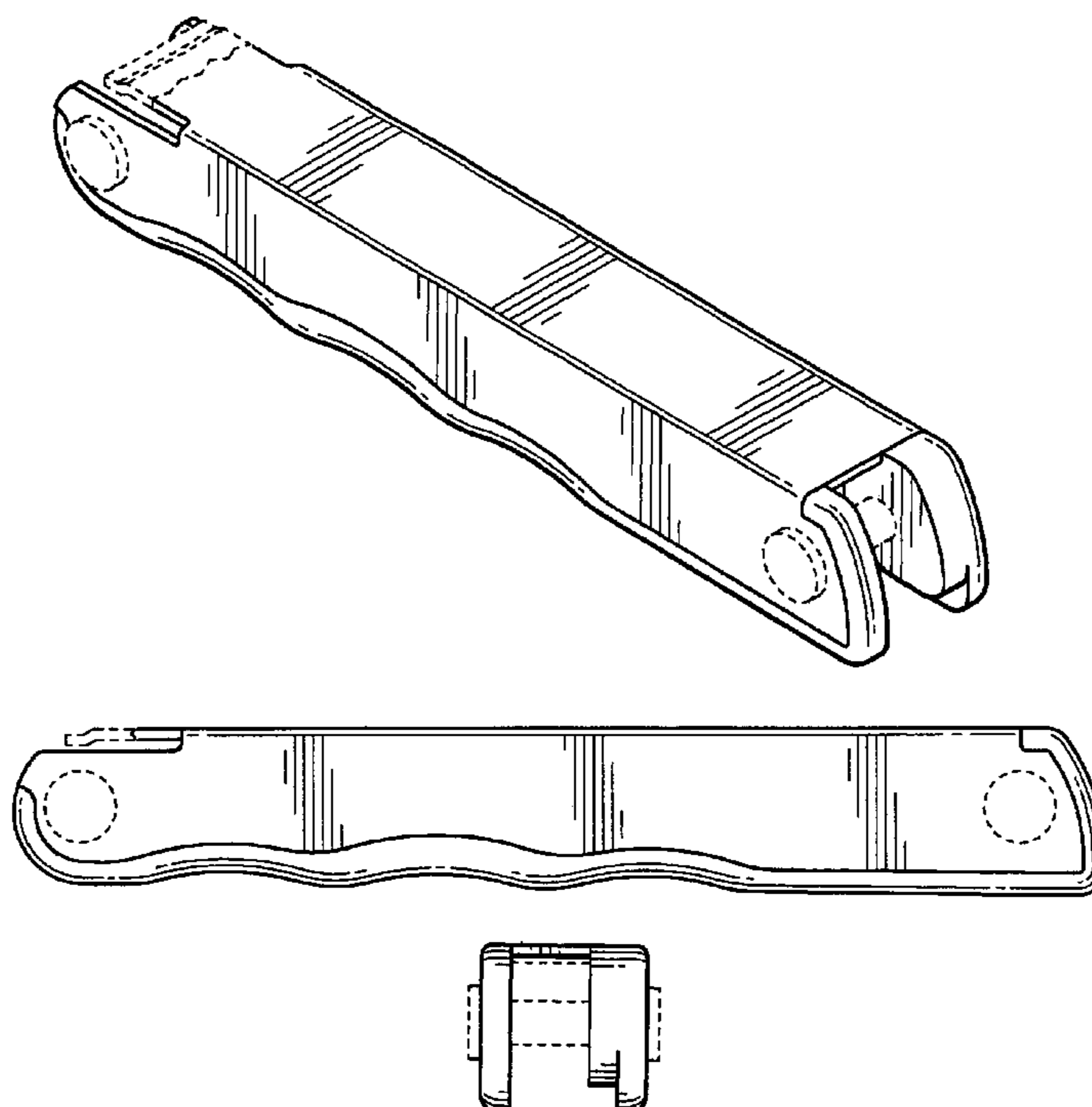
FIG. 3 is a top plan view thereof, wherein the outer, or rear, end portion of a spring and portions of pivot pins shown in broken line are included merely for illustrative purposes and form no part of the claimed design;

FIG. 4 is a bottom plan view thereof, wherein the outer, or rear, end portion of a spring and portions of pivot pins shown in broken line are included merely for illustrative purposes and form no part of the claimed design;

FIG. 5 is a rear end elevational view thereof, wherein the outer, or rear, end portion of a spring and the portion of a pivot pin shown in broken line are included merely for illustrative purposes only and form no part of the claimed design; and,

FIG. 6 is a front end elevational view thereof, wherein the outer, or rear, end portion of a spring and the portion of a pivot pin shown in broken line are included merely for illustrative purposes and form no part of the claimed design.

**1 Claim, 2 Drawing Sheets**



# US D497,094 S

Page 2

## U.S. PATENT DOCUMENTS

D280,179 S	8/1985	Miceli	D419,418 S	*	1/2000	Lin	..... D8/105
4,744,272 A	5/1988	Leatherman	D427,501 S		7/2000	Rivera	
5,111,581 A	5/1992	Collins	D435,776 S		1/2001	Veltz et al.	
D344,006 S	2/1994	Glesser	D436,514 S		1/2001	Rivera	
D356,019 S	3/1995	Sakai	D445,009 S		7/2001	Rivera	
D367,807 S	3/1996	Hung	D446,708 S		8/2001	Rivera	
D368,634 S	4/1996	Frazer	D446,709 S		8/2001	Rivera	
D373,521 S	9/1996	Applegate et al.	D447,039 S		8/2001	Rivera	
5,564,318 A	10/1996	Pail	D447,041 S		8/2001	Rivera	
D382,190 S	8/1997	Blackston et al.	D447,401 S		9/2001	Rivera	
D384,872 S	10/1997	Yeh	6,282,996 B1		9/2001	Berg et al.	
D385,170 S	10/1997	Rivera	6,305,041 B1		10/2001	Montague et al.	
5,711,194 A	1/1998	Anderson	6,389,625 B1		5/2002	Rivera	
D398,209 S	9/1998	Rivera	6,427,334 B2		8/2002	Onion	
D398,213 S	9/1998	Rivera	D468,987 S	*	1/2003	Dreyfus et al.	..... D8/105
D405,675 S	2/1999	Rivera	6,510,767 B1		1/2003	Rivera	
D405,676 S	2/1999	Rivera	D470,031 S		2/2003	Rivera	
D406,508 S	3/1999	Rivera	D470,032 S		2/2003	Rivera	
D406,509 S	3/1999	Rivera	D470,372 S		2/2003	Rivera	
D407,004 S	3/1999	Hull et al.	D474,670 S		5/2003	Rivera	
D408,238 S	4/1999	Rivera					

\* cited by examiner

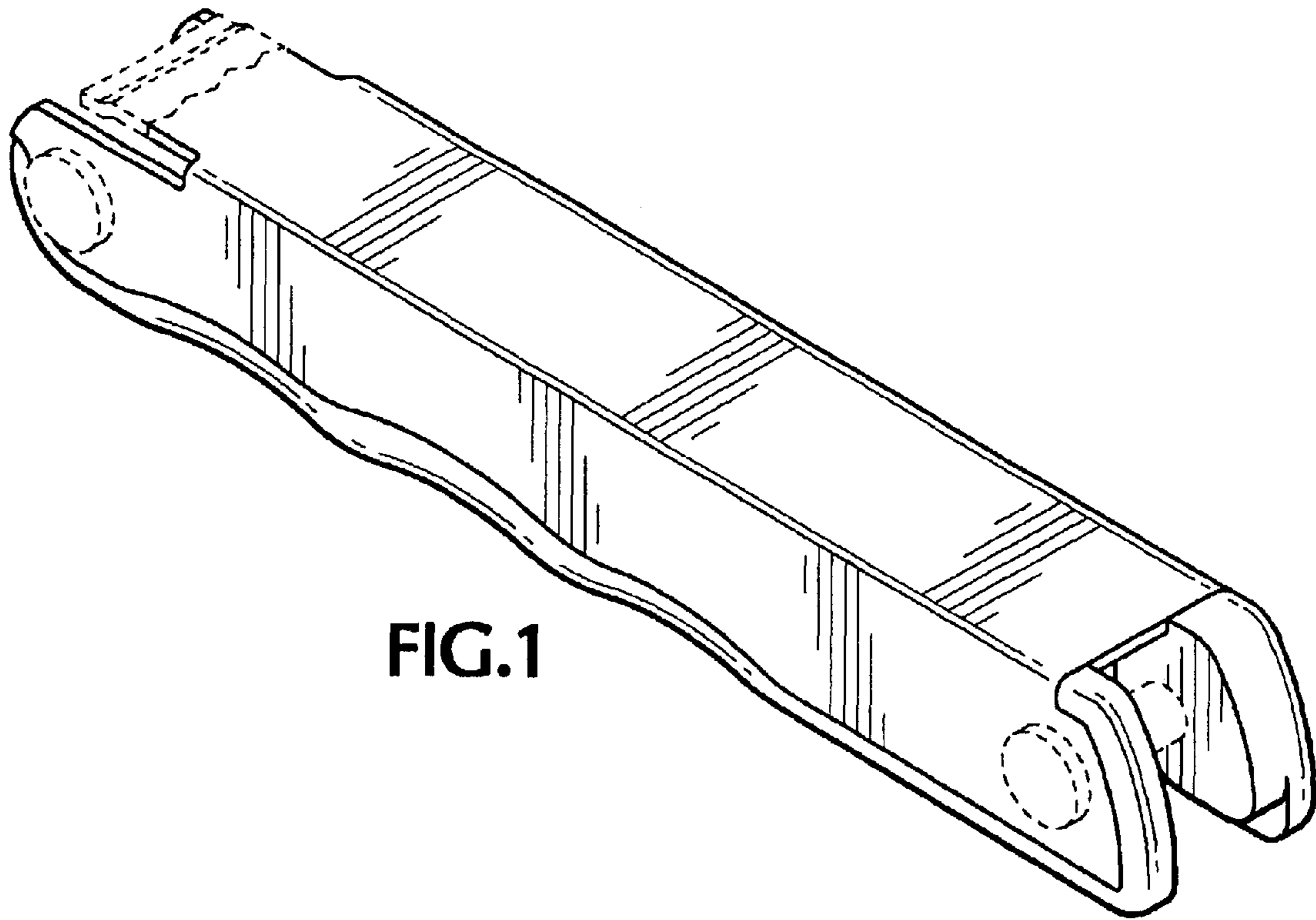


FIG. 1

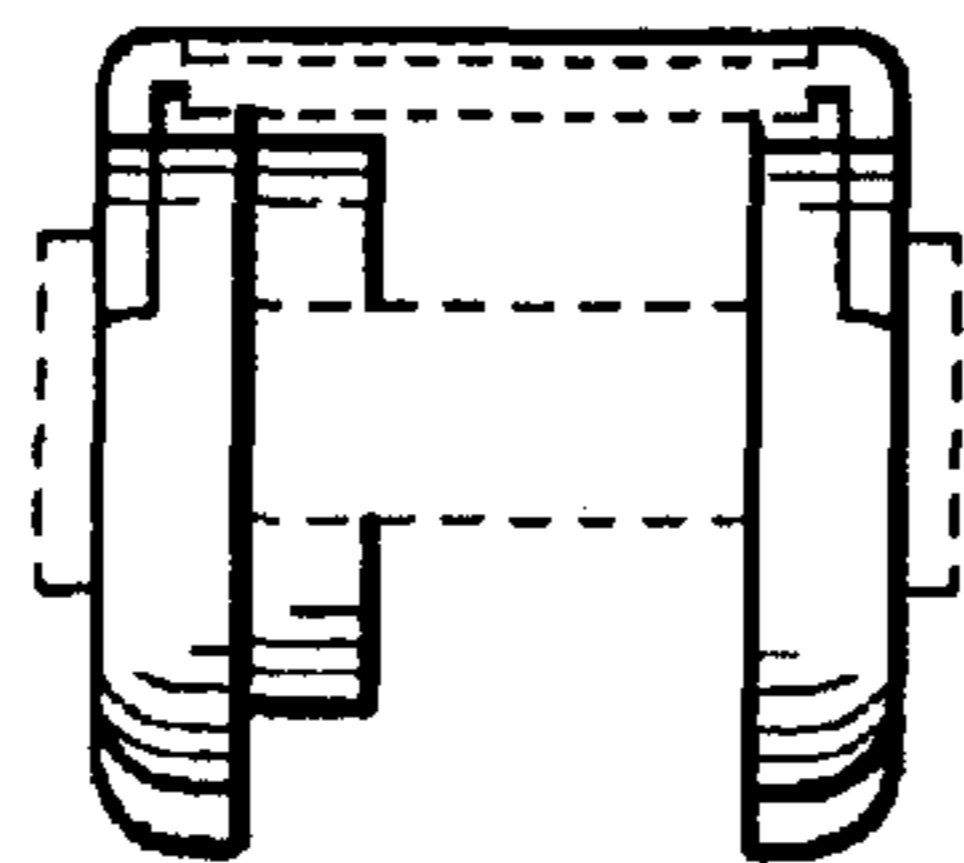


FIG. 5

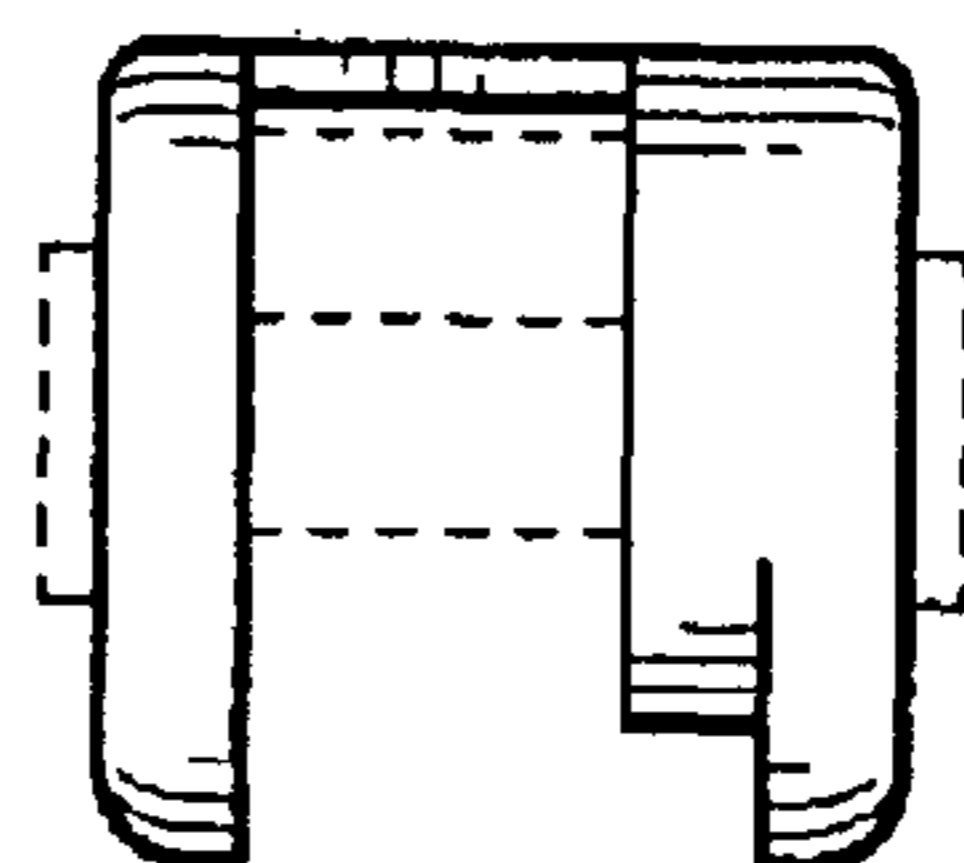


FIG. 6

FIG.2

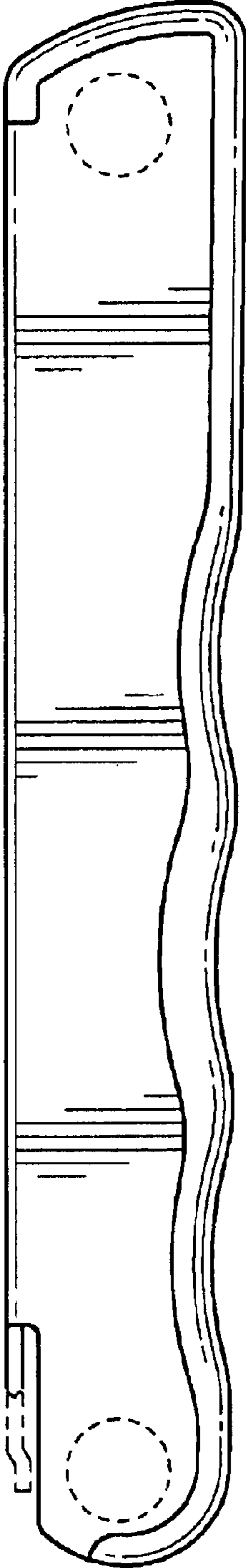


FIG.3

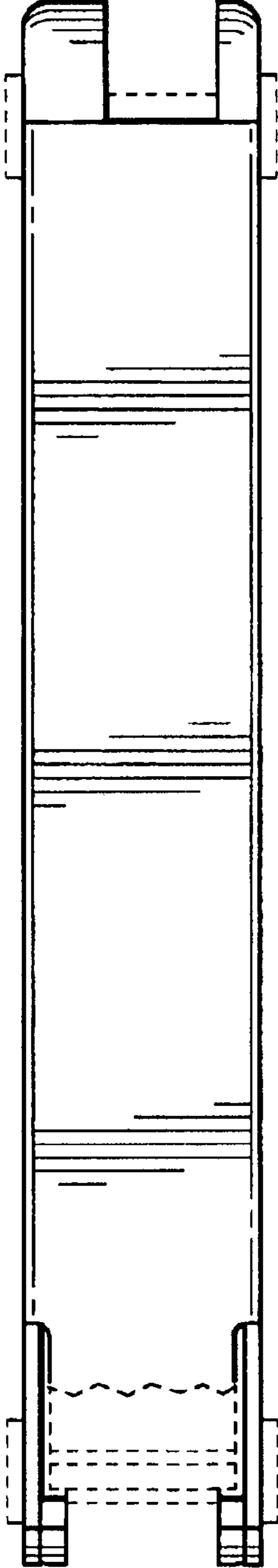


FIG.4

