

US00D497093S1

(12) **United States Design Patent** (10) **Patent No.:** **US D497,093 S**
Rivera et al. (45) **Date of Patent:** **** Oct. 12, 2004**

(54) **ASYMMETRIC HANDLE FOR A FOLDING MULTIPURPOSE HAND TOOL, WITH MARGIN INSERTS AND LATCH LEVER**

Primary Examiner—Clare E. Heflin
 (74) *Attorney, Agent, or Firm*—Chernoff, Vilhauer, McClung & Stenzel, LLP

(75) **Inventors:** **Benjamin C. Rivera**, West Linn, OR (US); **Hollan A. Tsuda**, Portland, OR (US); **Nathan E. Knight**, Portland, OR (US); **Melissa C. Yale**, Portland, OR (US); **Glenn Klecker**, Silverton, OR (US)

(57) **CLAIM**

The ornamental design for an asymmetric handle for a folding multipurpose hand tool, with margin inserts and latch lever, as shown and described.

(73) **Assignee:** **Leatherman Tool Group, Inc.**, Portland, OR (US)

DESCRIPTION

(**) **Term:** **14 Years**

FIG. 1 is an isometric view from the upper right front of an asymmetric handle for a folding multipurpose hand tool, with margin inserts and latch lever, including our new design, wherein portions of a blade latch mechanism and portions of pivot pins shown in broken line are included merely for illustrative purposes and form no part of the claimed design;

(21) **Appl. No.:** **29/197,281**

(22) **Filed:** **Jan. 13, 2004**

(51) **LOC (7) Cl.** **08-05**

(52) **U.S. Cl.** **D8/107; D8/55; D8/105**

(58) **Field of Search** **D8/54-56, 99, D8/105, 107; 7/118, 119, 125-135, 158, 163-166, 168; 30/160, 161; 81/427.5, 440**

FIG. 2 is a right side elevational view thereof, the left side elevational view being a mirror image of the right side elevational view, wherein the portions of a blade latch mechanism and portions of pivot pins shown in broken line are included merely for illustrative purposes and form no part of the claimed design;

(56) **References Cited**

U.S. PATENT DOCUMENTS

1,362,143	A	*	12/1920	Rohrer	30/161
2,869,232	A		1/1959	Kivela		
3,783,509	A		1/1974	Lake		
D280,179	S		8/1985	Miceli		
4,744,272	A		5/1988	Leatherman		
5,111,581	A		5/1992	Collins		
D344,006	S		2/1994	Glesser		
D356,019	S		3/1995	Sakai		
D367,807	S		3/1996	Hung		
D368,634	S		4/1996	Frazer		
D373,521	S		9/1996	Applegate et al.		
5,564,318	A		10/1996	Pail		
D382,190	S		8/1997	Blackston et al.		
D384,872	S		10/1997	Yeh		
D385,170	S		10/1997	Rivera		
5,711,194	A		1/1998	Anderson et al.		
D398,209	S		9/1998	Rivera		
D398,213	S		9/1998	Rivera		

FIG. 3 is a top plan view thereof, wherein the portions of a blade latch mechanism and portions of pivot pins shown in broken line are included merely for illustrative purposes and form no part of the claimed design;

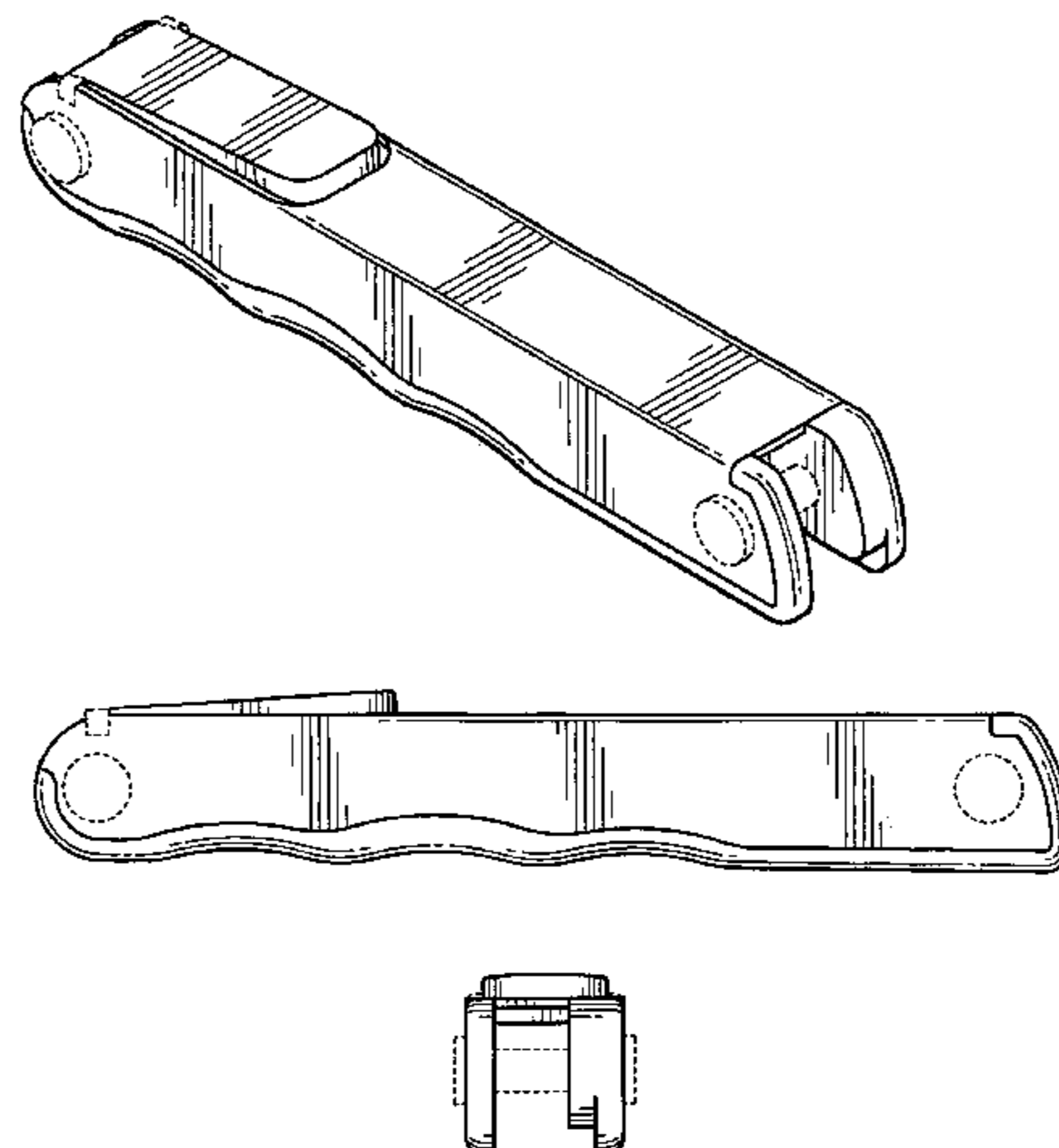
FIG. 4 is a bottom plan view thereof, wherein the portions of pivot pins shown in broken line are included merely for illustrative purposes and form no part of the claimed design;

FIG. 5 is a front end elevational view thereof, wherein the portions of a blade latch mechanism and portions of a pivot pins shown in broken line are included merely for illustrative purposes and form no part of the claimed design; and,

FIG. 6 is a rear end elevational view thereof, wherein the portions of a blade latch mechanism and portions of pivot pins shown in broken line are included merely for illustrative purposes and form no part of the claimed design.

(List continued on next page.)

1 Claim, 2 Drawing Sheets



US D497,093 S

Page 2

U.S. PATENT DOCUMENTS

D405,675 S	2/1999	Rivera	
D405,676 S	2/1999	Rivera	
D406,508 S	3/1999	Rivera	
D406,509 S	3/1999	Rivera	
D407,004 S	3/1999	Hull et al.	
D408,238 S	4/1999	Rivera	
D419,418 S	* 1/2000	Lin	D8/105
D427,501 S	7/2000	Rivera	
D435,776 S	1/2001	Veltz et al.	
D436,514 S	1/2001	Rivera	
D445,009 S	7/2001	Rivera	
D446,708 S	8/2001	Rivera	
D446,709 S	8/2001	Rivera	
D447,039 S	8/2001	Rivera	
D447,041 S	8/2001	Rivera	
D447,401 S	9/2001	Rivera	
6,282,996 B1	9/2001	Berg et al.	
6,305,041 B1	10/2001	Montague et al.	
6,389,625 B1	5/2002	Rivera	
6,427,334 B2	8/2002	Onion	
D468,987 S	* 1/2003	Dreyfus et al.	D8/105
6,510,767 B1	1/2003	Rivera	
D470,031 S	2/2003	Rivera	
D470,032 S	2/2003	Rivera	
D470,372 S	2/2003	Rivera	
D474,670 S	5/2003	Rivera	

* cited by examiner

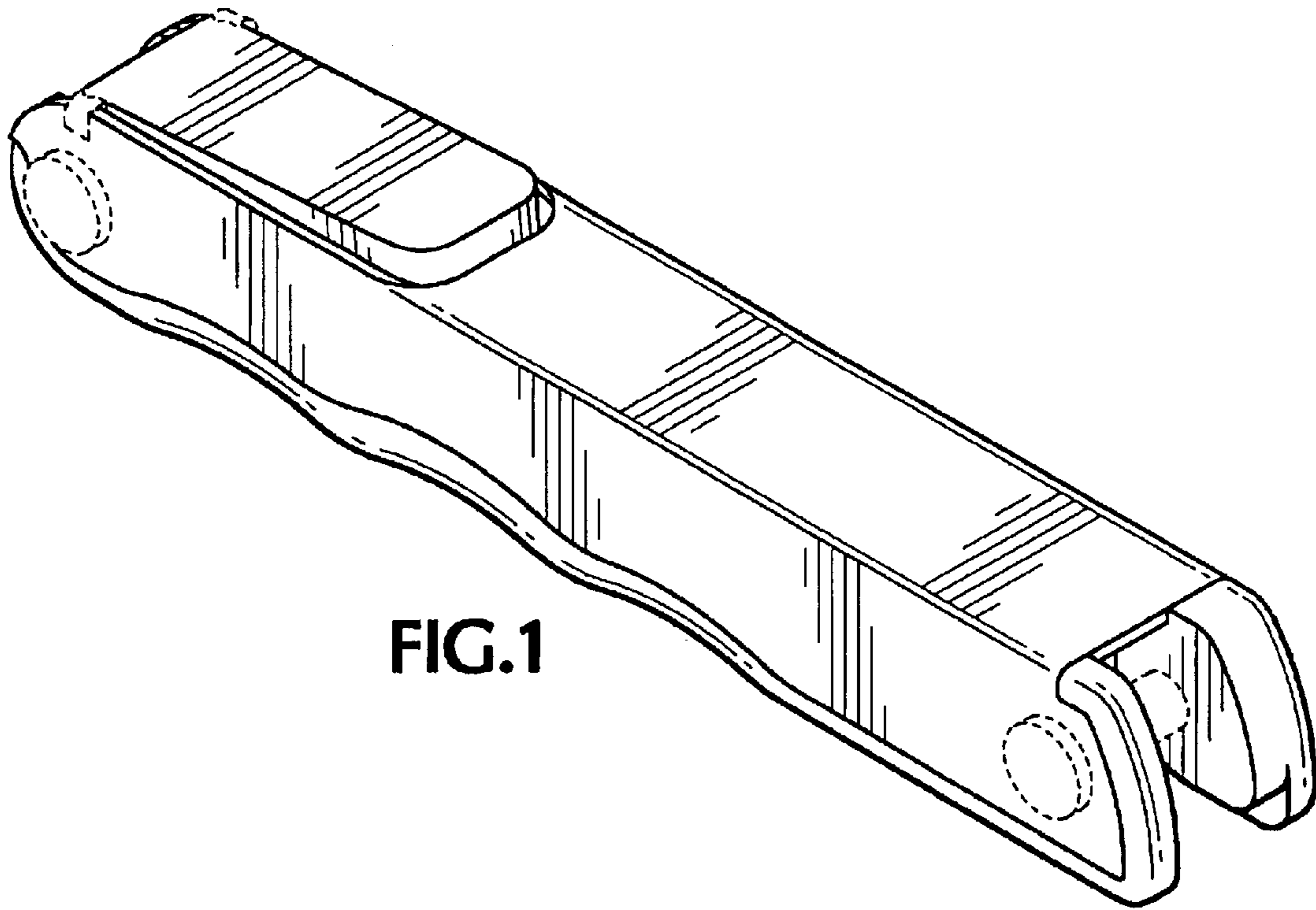


FIG. 1

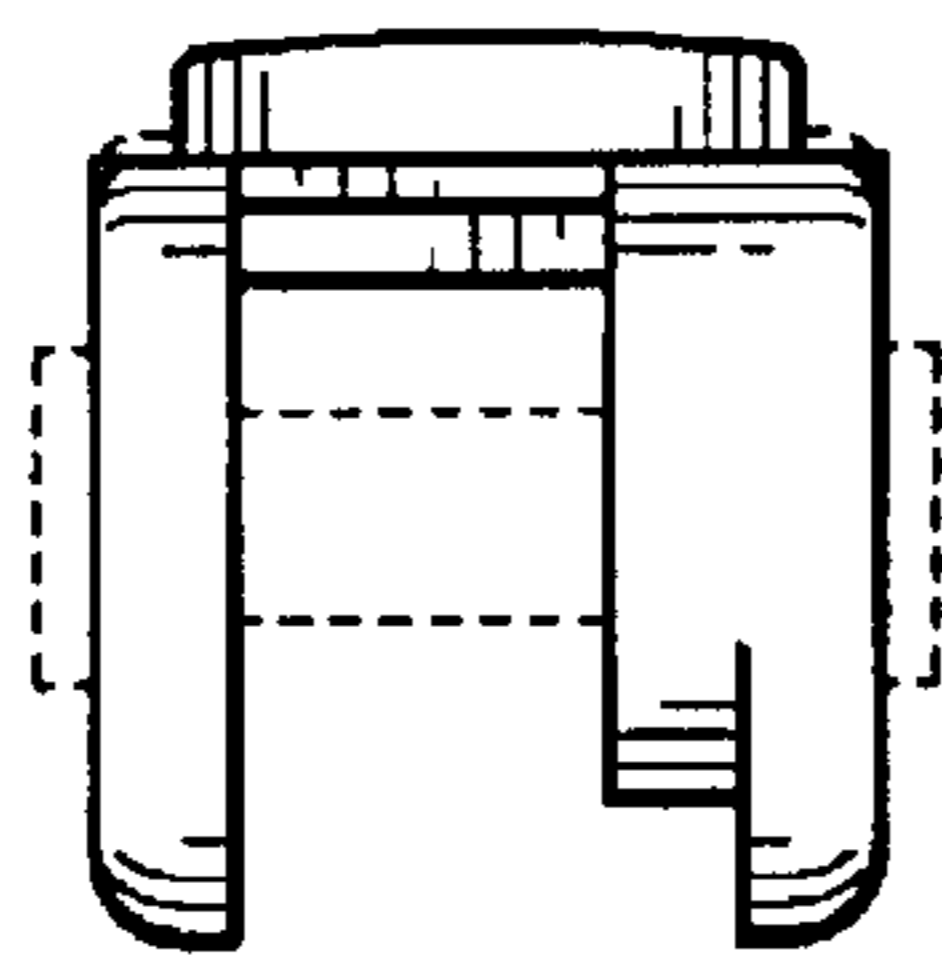


FIG. 5

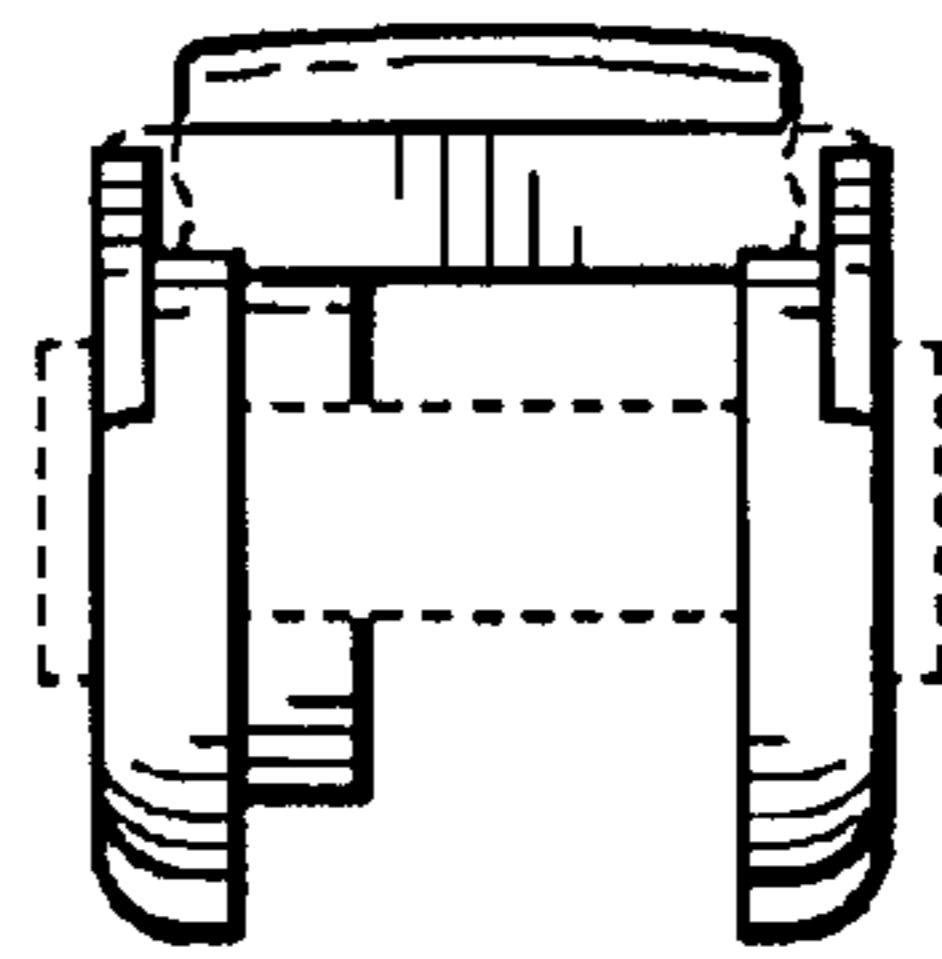


FIG. 6

FIG.2

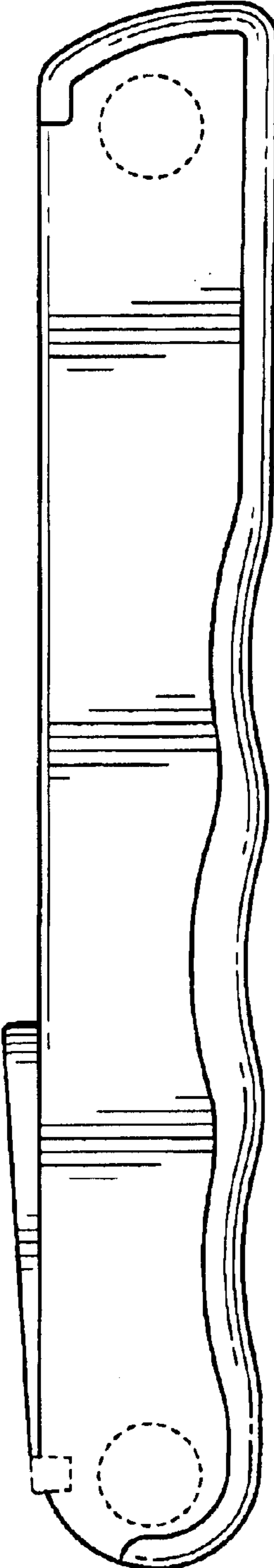


FIG.3

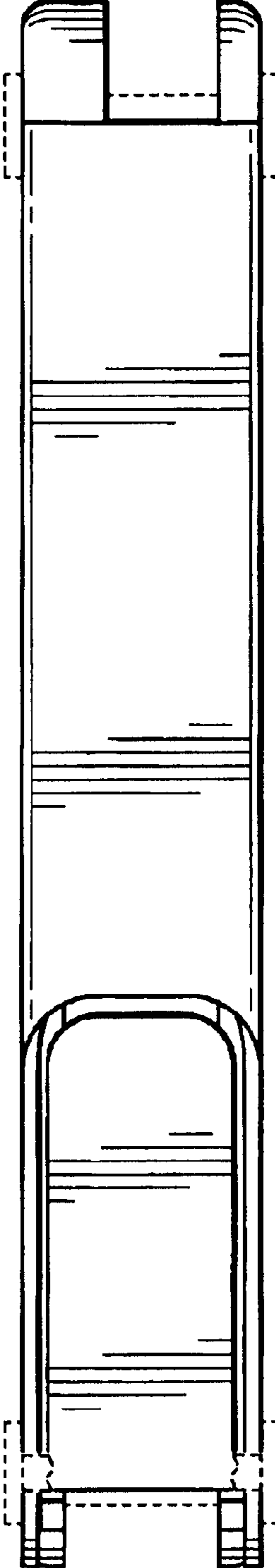


FIG.4

