



US00D497092S1

(12) **United States Design Patent** (10) **Patent No.:** **US D497,092 S**  
**McCarthy** (45) **Date of Patent:** **\*\* Oct. 12, 2004**

(54) **CORNER SANDING SPONGE**

(75) Inventor: **Kevin J. McCarthy**, Woodbury, MN (US)

(73) Assignee: **3M Innovative Properties Company**, St. Paul, MN (US)

(\*\*) Term: **14 Years**

(21) Appl. No.: **29/166,324**

(22) Filed: **Aug. 26, 2002**

(51) **LOC (7) Cl.** ..... **08-05**

(52) **U.S. Cl.** ..... **D8/90; D32/40**

(58) **Field of Search** ..... **D8/14, 90, 91, D8/92; 451/523, 524, 525, 526; D28/57, 59; D32/40; 15/244.1, 244.3, 244.4, 208, 209.1**

(56) **References Cited**

**U.S. PATENT DOCUMENTS**

2,112,593 A	3/1938	Campbell	
2,817,931 A	12/1957	Houser	
3,034,267 A	5/1962	Fenney	
3,279,130 A	10/1966	Nelson	
D211,262 S	6/1968	Theobald	..... D8/90
3,614,845 A	10/1971	Cook	
3,653,859 A	4/1972	Zimmer, Jr. et al.	
3,924,362 A	12/1975	McAleer	
3,998,012 A	12/1976	Ness	
4,202,139 A	5/1980	Hong et al.	

(List continued on next page.)

**FOREIGN PATENT DOCUMENTS**

DD	226 823 A1	9/1985
DE	37 00 990 A1	7/1988

(List continued on next page.)

**OTHER PUBLICATIONS**

Correspondence from David B. Patchett to President, Ali Industries, Inc. dated Feb. 19, 2003.

(List continued on next page.)

*Primary Examiner*—Philip S. Hyder

(74) *Attorney, Agent, or Firm*—David B. Patchett

(57) **CLAIM**

The ornamental design for a corner sanding sponge, as shown and described.

**DESCRIPTION**

FIG. 1 is a view in perspective of a corner sanding sponge. FIG. 2 is a top plan view of the corner sanding sponge of FIG. 1.

FIG. 3 is an end plan view of the corner sanding sponge of FIG. 1.

FIG. 4 is a side plan view of the corner sanding sponge of FIG. 1.

FIG. 5 is a perspective view of a modified embodiment of the corner sanding sponge.

FIG. 6 is a top plan view of the corner sanding sponge of FIG. 5.

FIG. 7 is an end plan view of the corner sanding sponge of FIG. 5.

FIG. 8 is a side plan view of the corner sanding sponge of FIG. 5.

FIG. 9 is a perspective view of a second modified embodiment of the corner sanding sponge.

FIG. 10 is a top plan view of the corner sanding sponge of FIG. 9.

FIG. 11 is an end plan view of the corner sanding sponge of FIG. 9.

FIG. 12 is a side plan view of the corner sanding sponge of FIG. 9.

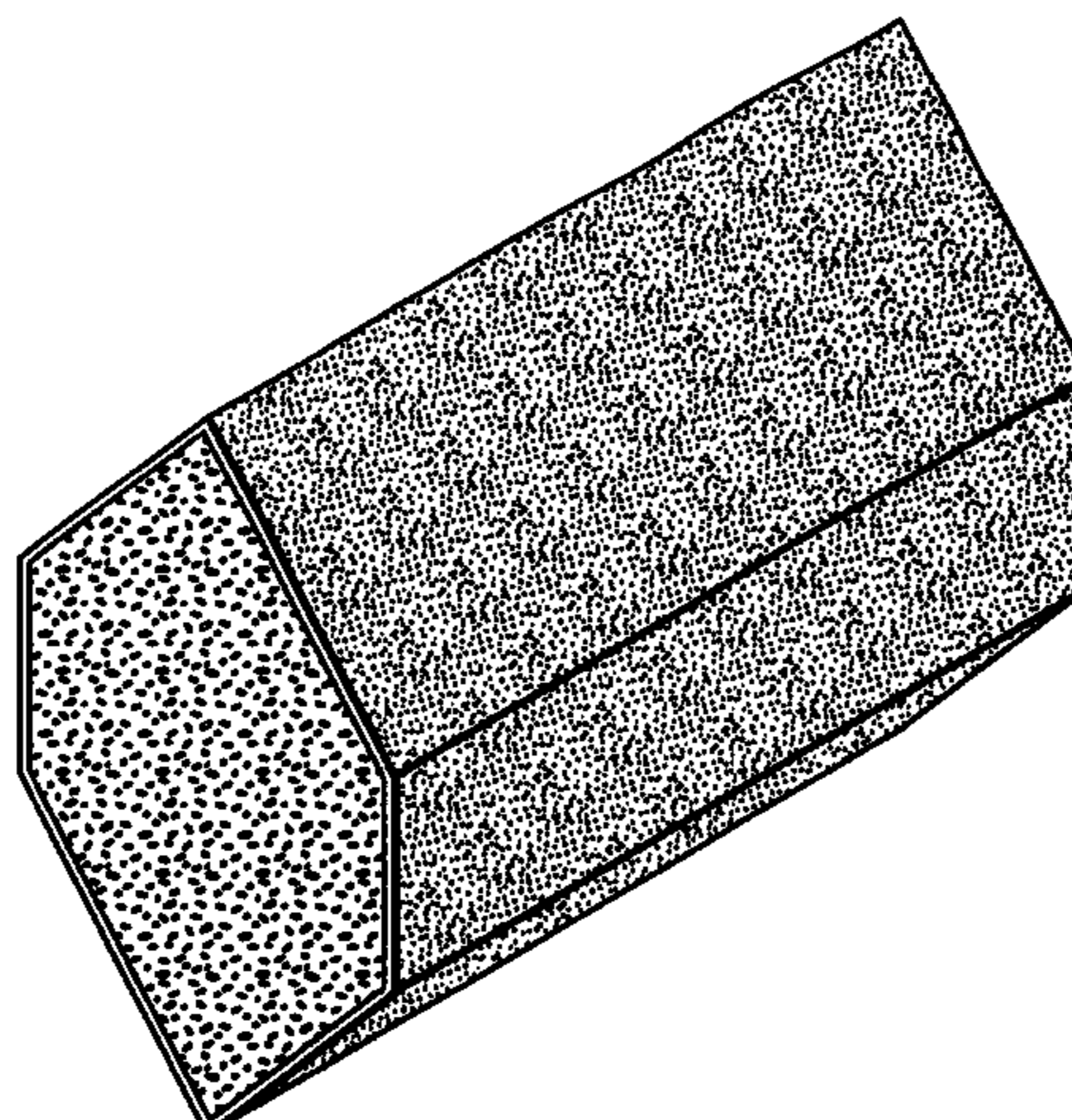
FIG. 13 is a perspective view of a third modified embodiment of the corner sanding sponge.

FIG. 14 is a top plan view of the corner sanding sponge of FIG. 13.

FIG. 15 is an end plan view of the corner sanding sponge of FIG. 13; and,

FIG. 16 is a side plan view of the corner sanding sponge of FIG. 13.

**1 Claim, 4 Drawing Sheets**



U.S. PATENT DOCUMENTS

4,263,755	A	4/1981	Globus	
4,501,096	A	2/1985	Lukianoff	
4,525,959	A	7/1985	Ziebarth et al.	
4,543,751	A	10/1985	Alikhan	
4,640,060	A	2/1987	Lukianoff	
4,757,571	A	* 7/1988	Young .....	15/167.3
4,825,597	A	5/1989	Matechuk	
4,887,396	A	12/1989	Lukianoff	
5,054,248	A	10/1991	Thayer	
5,131,193	A	7/1992	Demers	
5,134,809	A	8/1992	Morton et al.	
5,168,663	A	12/1992	Klocke	
5,177,909	A	1/1993	Klocke	
5,203,123	A	4/1993	Travis	
D336,027	S	6/1993	Demers .....	D8/90
5,309,681	A	5/1994	Cheney et al.	
5,313,746	A	5/1994	Zarriello	
5,316,812	A	5/1994	Stout et al.	
D348,817	S	7/1994	Demers .....	D8/90
5,337,523	A	8/1994	Walsh	
D355,105	S	2/1995	Nemazi .....	D8/90
D356,935	S	4/1995	Demers .....	D8/90
D356,936	S	4/1995	Demers .....	D8/90
D357,620	S	4/1995	Demers .....	D8/90
5,417,726	A	5/1995	Stout et al.	
5,429,545	A	7/1995	Meyer	
5,533,926	A	7/1996	Nemazi .....	451/490
D373,715	S	9/1996	Fink .....	D8/90
5,605,500	A	2/1997	Matechuk .....	451/456
5,662,519	A	9/1997	Arnold .....	451/525
D386,058	S	11/1997	Schmidt .....	D8/90
5,690,547	A	11/1997	Holland, Jr. et al. ....	451/524
5,718,622	A	2/1998	Jones .....	451/524
5,759,090	A	6/1998	Kawate et al. ....	451/5
5,849,051	A	12/1998	Beardsley et al.	
5,849,646	A	12/1998	Stout et al. ....	442/68
D406,681	S	* 3/1999	Kelly et al. ....	D32/40
5,895,316	A	4/1999	Williams .....	451/524
5,954,571	A	9/1999	Case .....	451/354
D429,437	S	* 8/2000	Valenti .....	D6/583
6,120,365	A	9/2000	Johnson .....	451/495
6,227,959	B1	5/2001	Beaudry .....	451/526

6,383,064 B1 5/2002 Eggert et al. .... 451/526

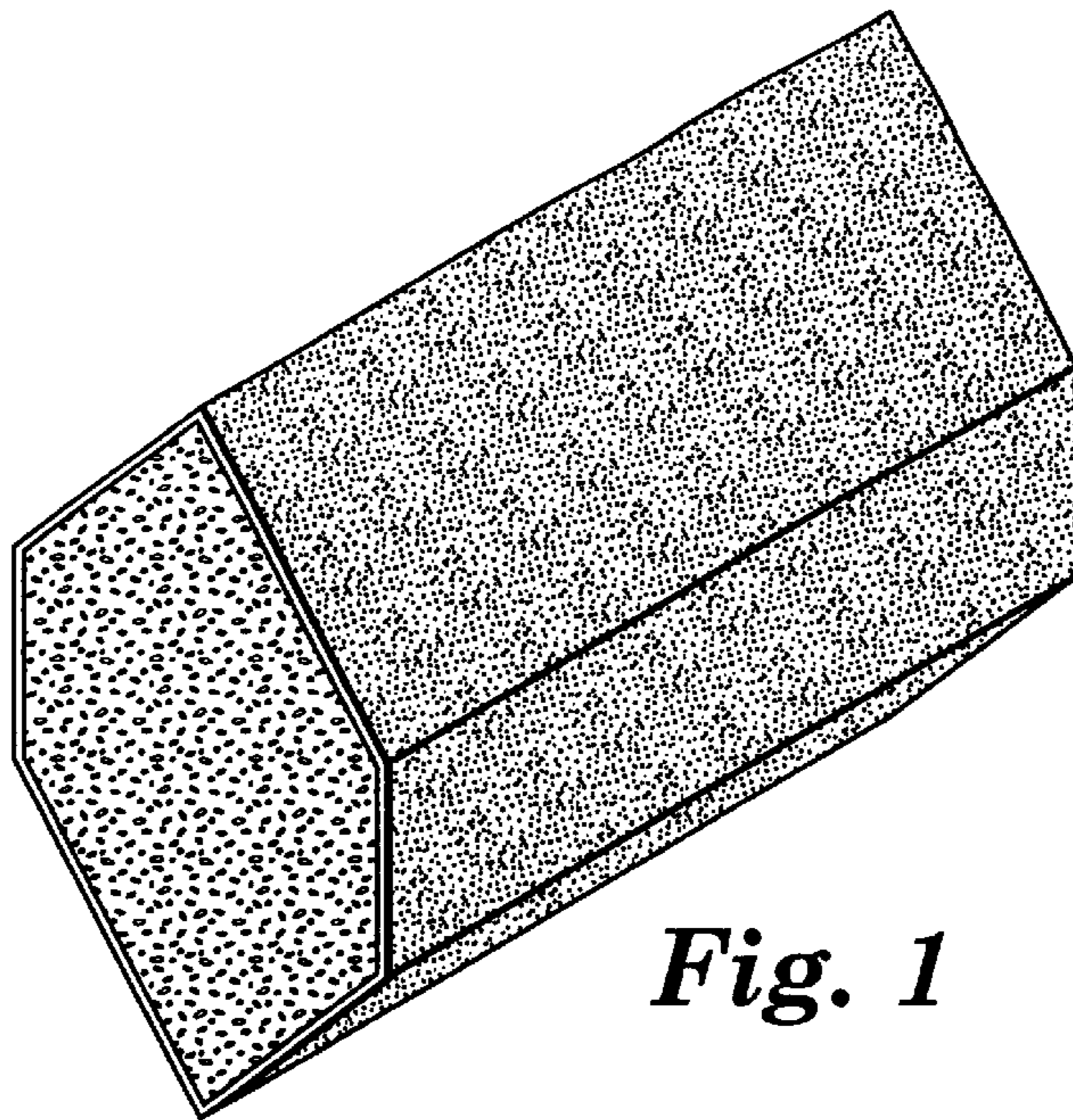
FOREIGN PATENT DOCUMENTS

DE	37 25 656	A1	2/1989
DE	37 31 236	A1	3/1989
DE	42 10 819	C1	6/1993
DE	296 12 820	U1	2/1997
DE	298 13 386	U1	1/1999
EP	0 103 560	A2	3/1984
EP	0 635 335	A1	1/1995
GB	2 114 028	A	8/1983
GB	2 245 511	A	1/1992
GB	2 256 383	A	12/1992
GB	2 299 038	A	9/1996
GB	2 327 899	A	2/1999
JP	59-5231		1/1984
JP	60-20865		2/1985
JP	61-124373		8/1986
JP	10-235565		9/1998
WO	WO 89/08008		9/1989
WO	WO 90/01398		2/1990
WO	WO 94/13435		6/1994
WO	WO 97/34735		9/1997

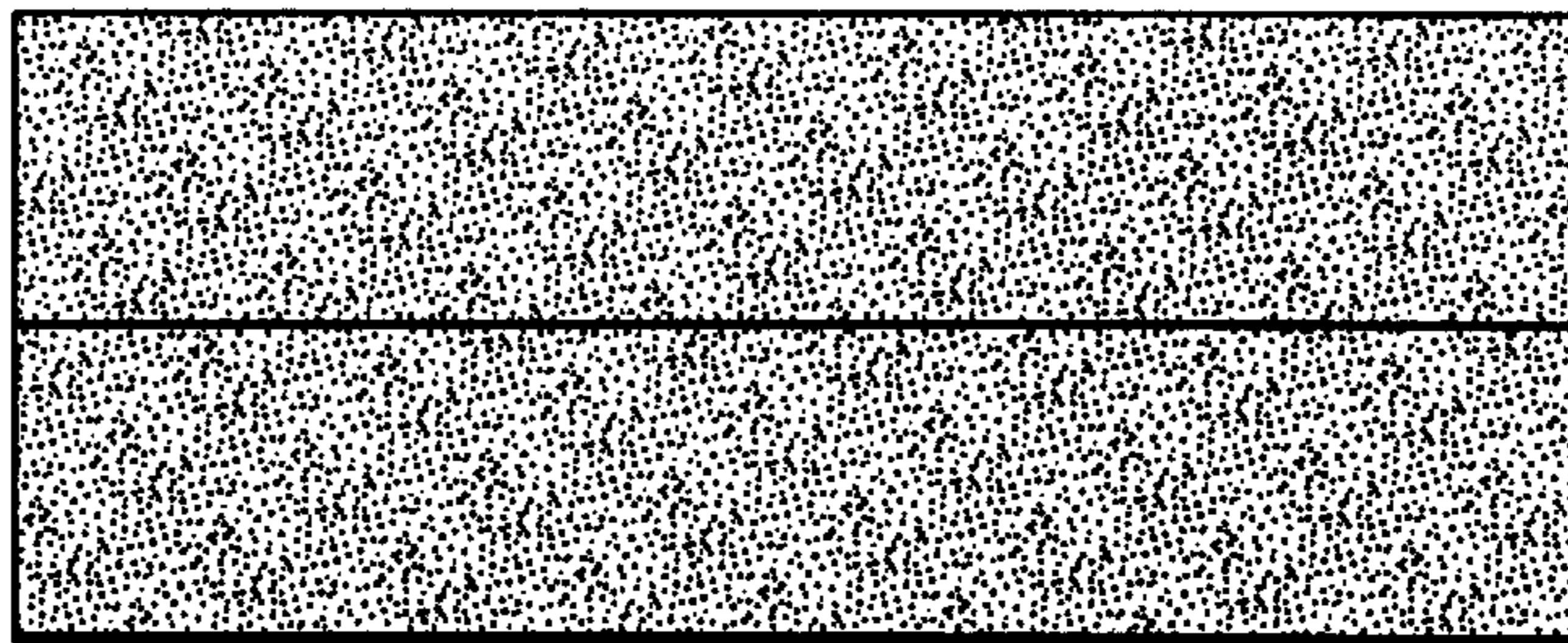
OTHER PUBLICATIONS

Correspondence from R. William Graham to David B. Patchett dated Feb. 26, 2003.  
 Correspondence from David B. Patchett to R. William Graham dated Mar. 3, 2003.  
 Correspondence from Roger J. Makley to David B. Patchett dated Mar. 17, 2003, with Ali Industries, Inc. product literature attached.  
 Correspondence from David B. Patchett to Roger J. Makley dated Mar. 25, 2003.  
 Home Improvement Center literature, Dec., 1992.  
 Home Improvement Center literature, Oct., 1992.  
 Norton website literature.  
 REMPAc Foam Corporation website literature.  
 Johnson Abrasives Co., Inc. website literature (2 articles).  
 Abrapower website literature (2 articles).

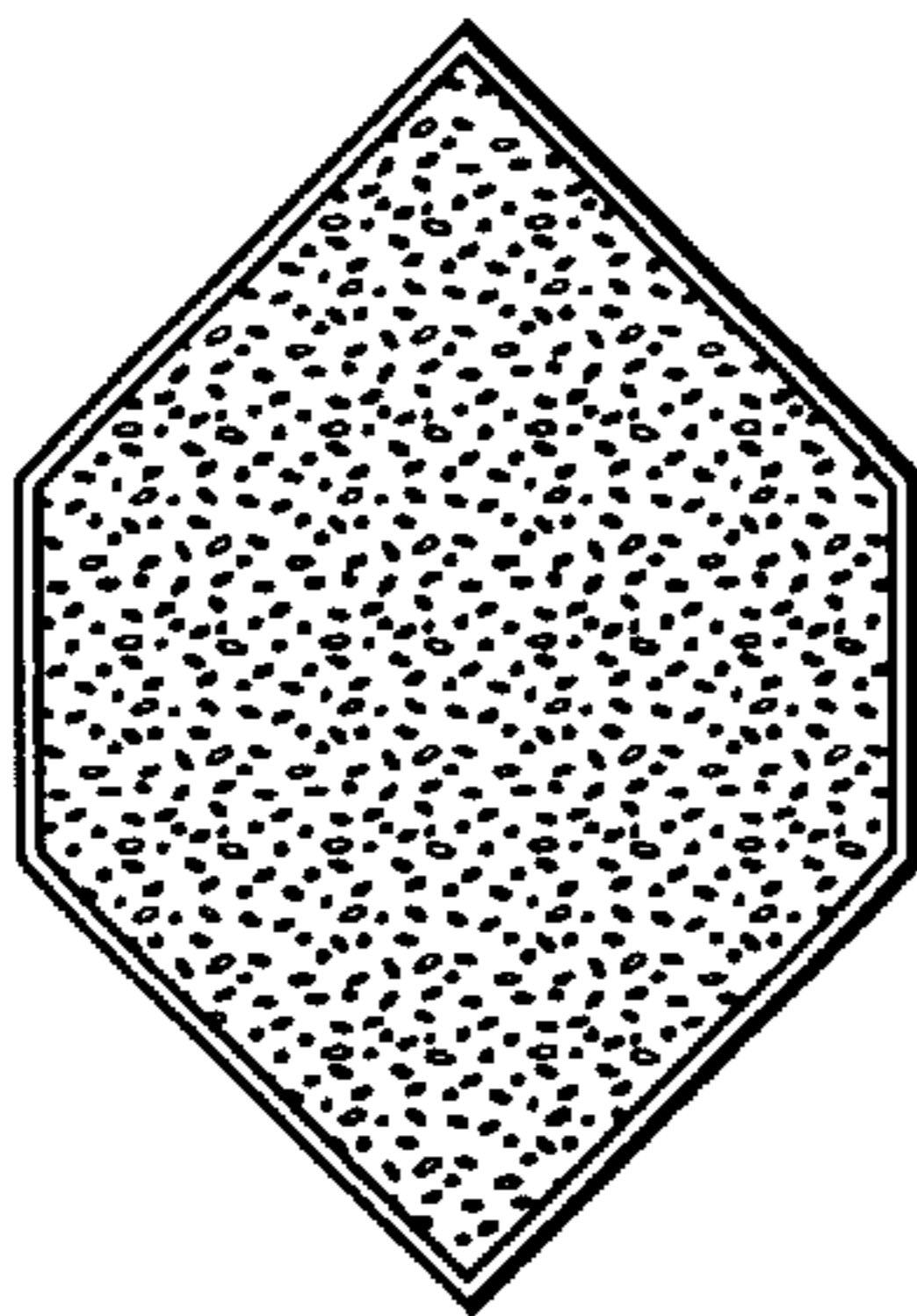
\* cited by examiner



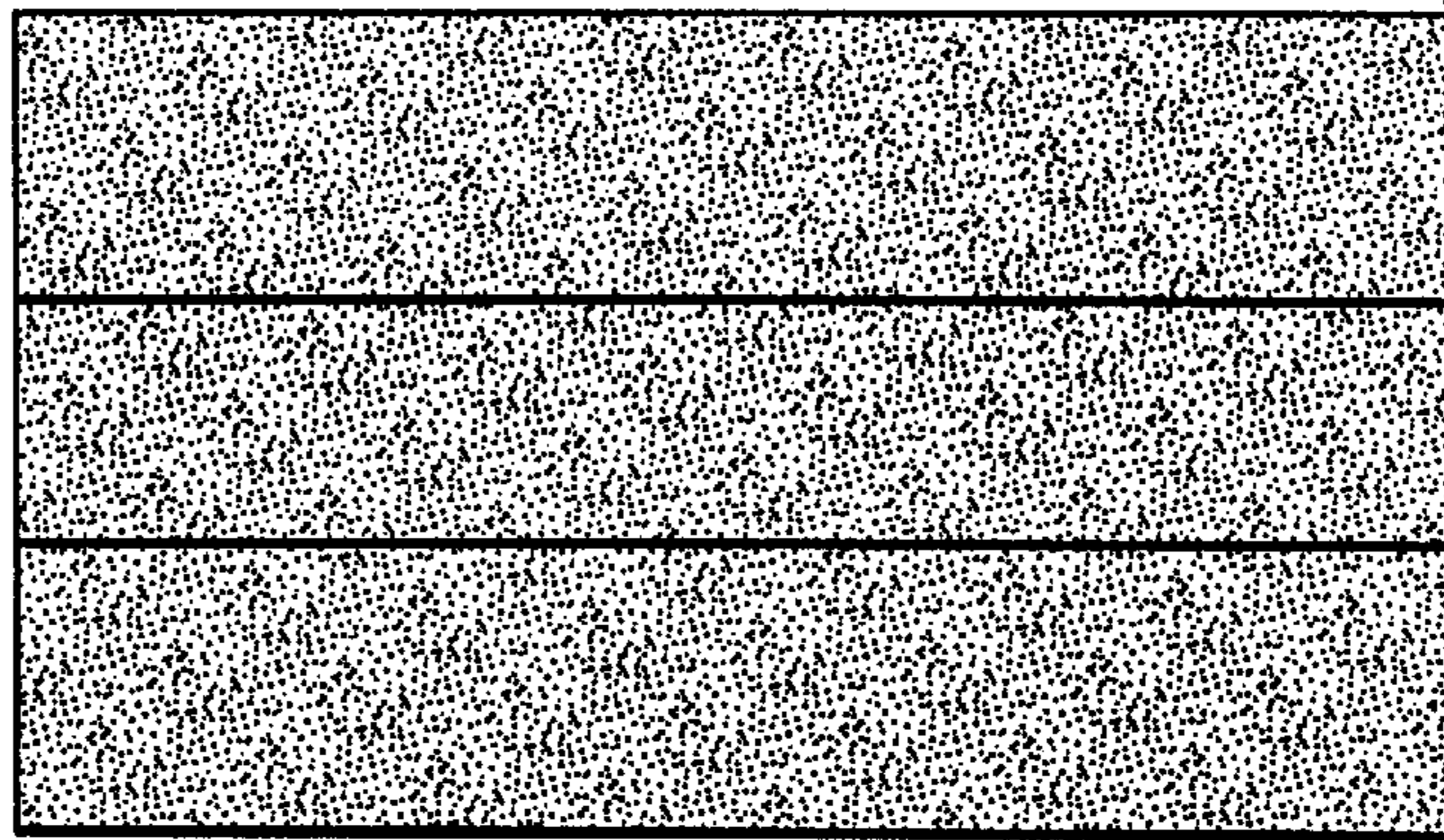
*Fig. 1*



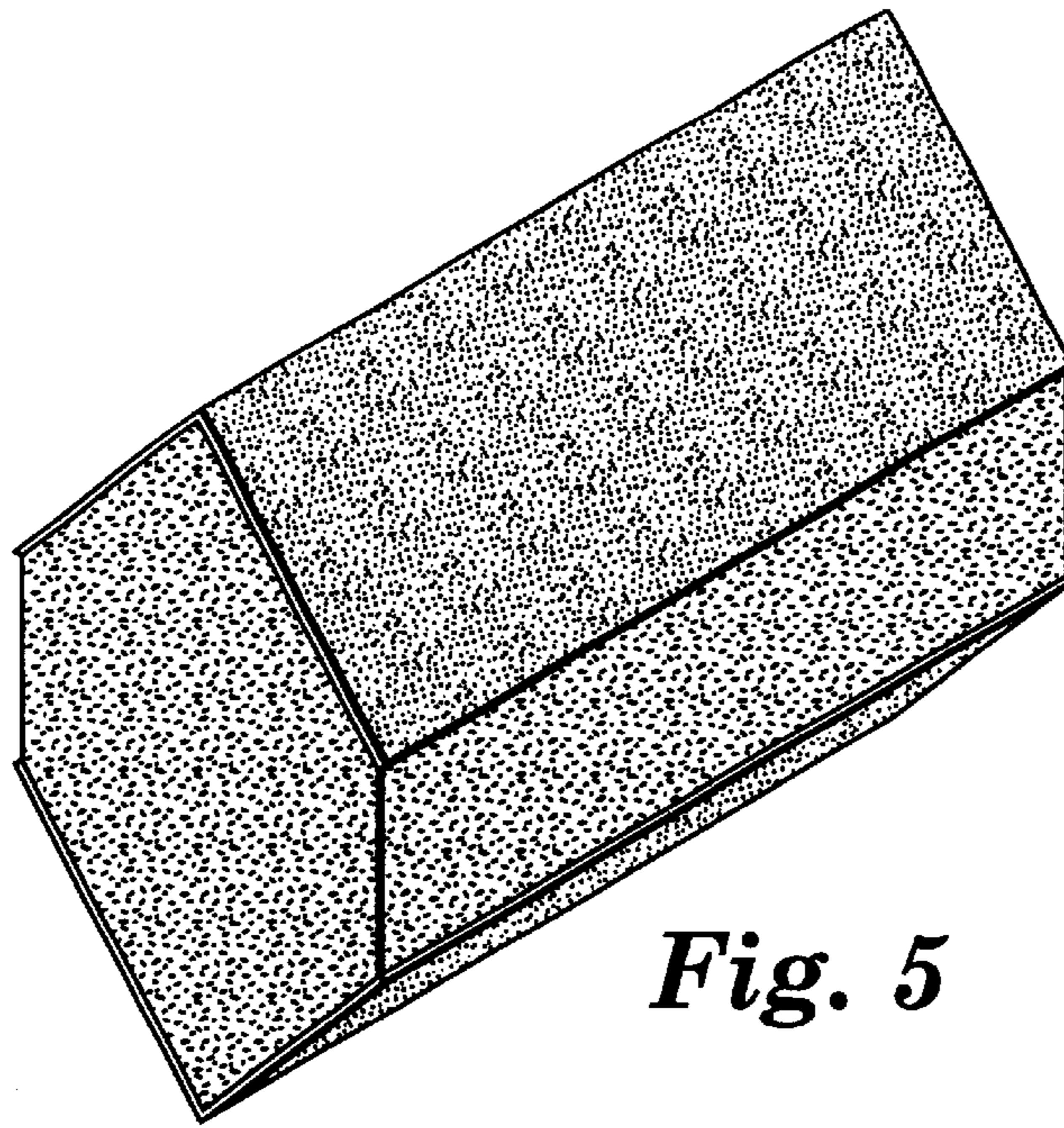
*Fig. 2*



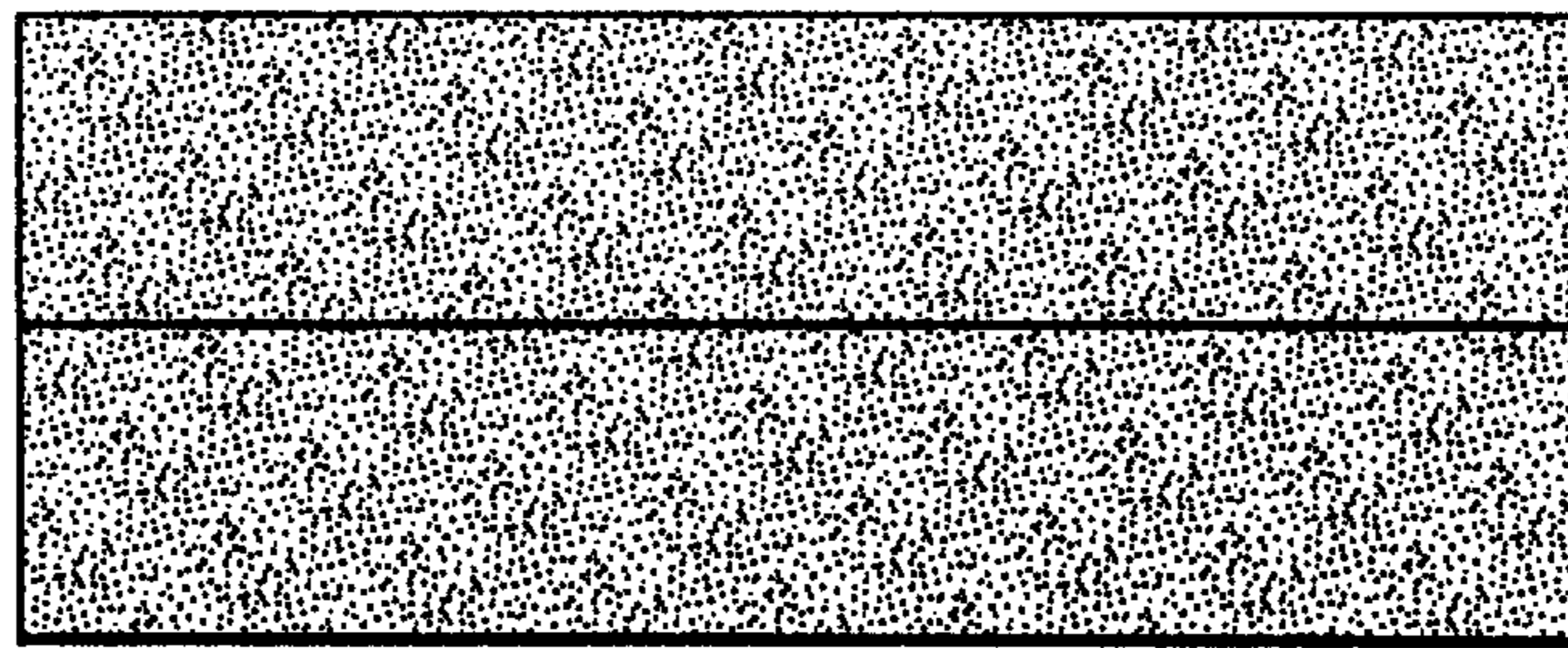
*Fig. 3*



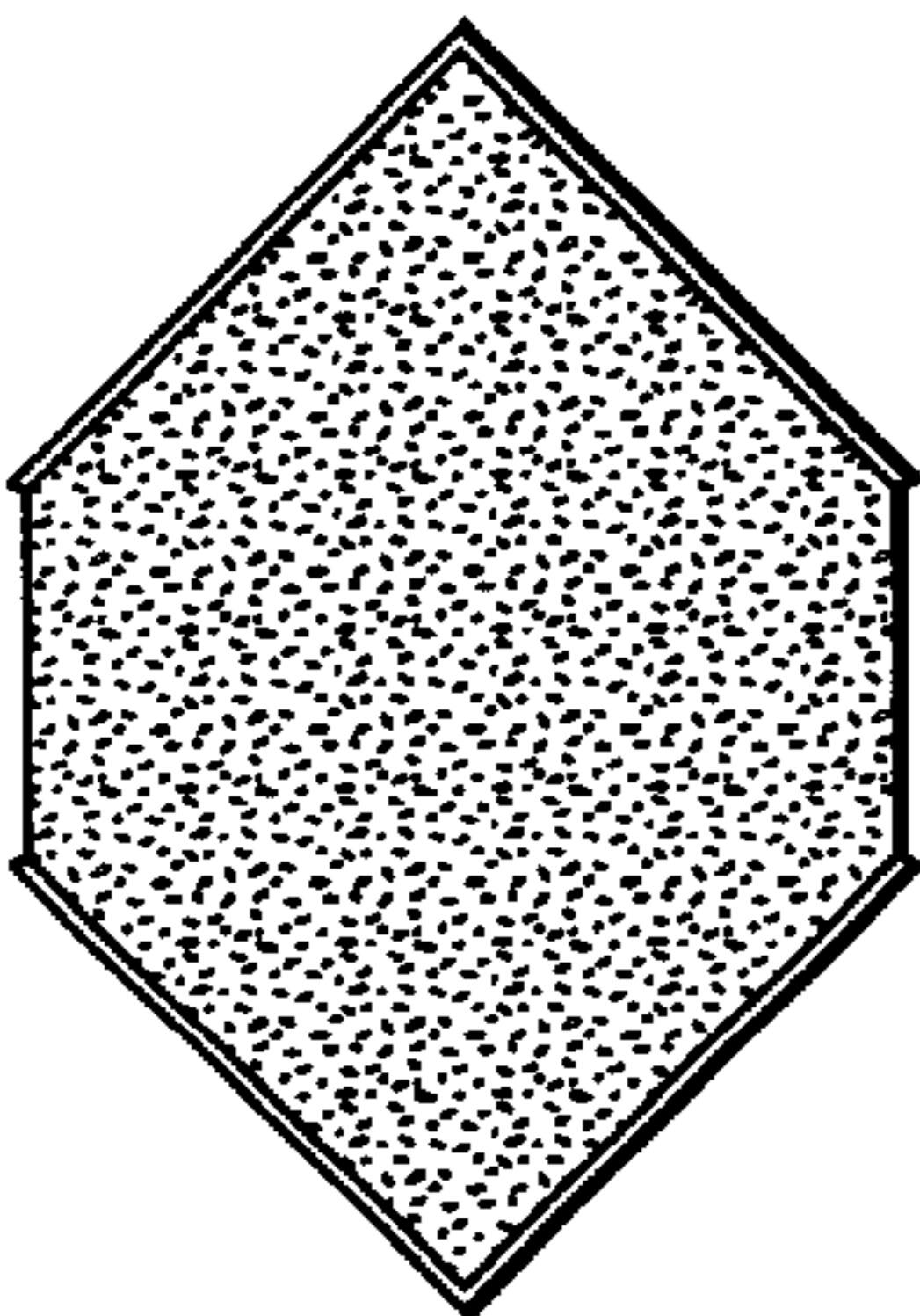
*Fig. 4*



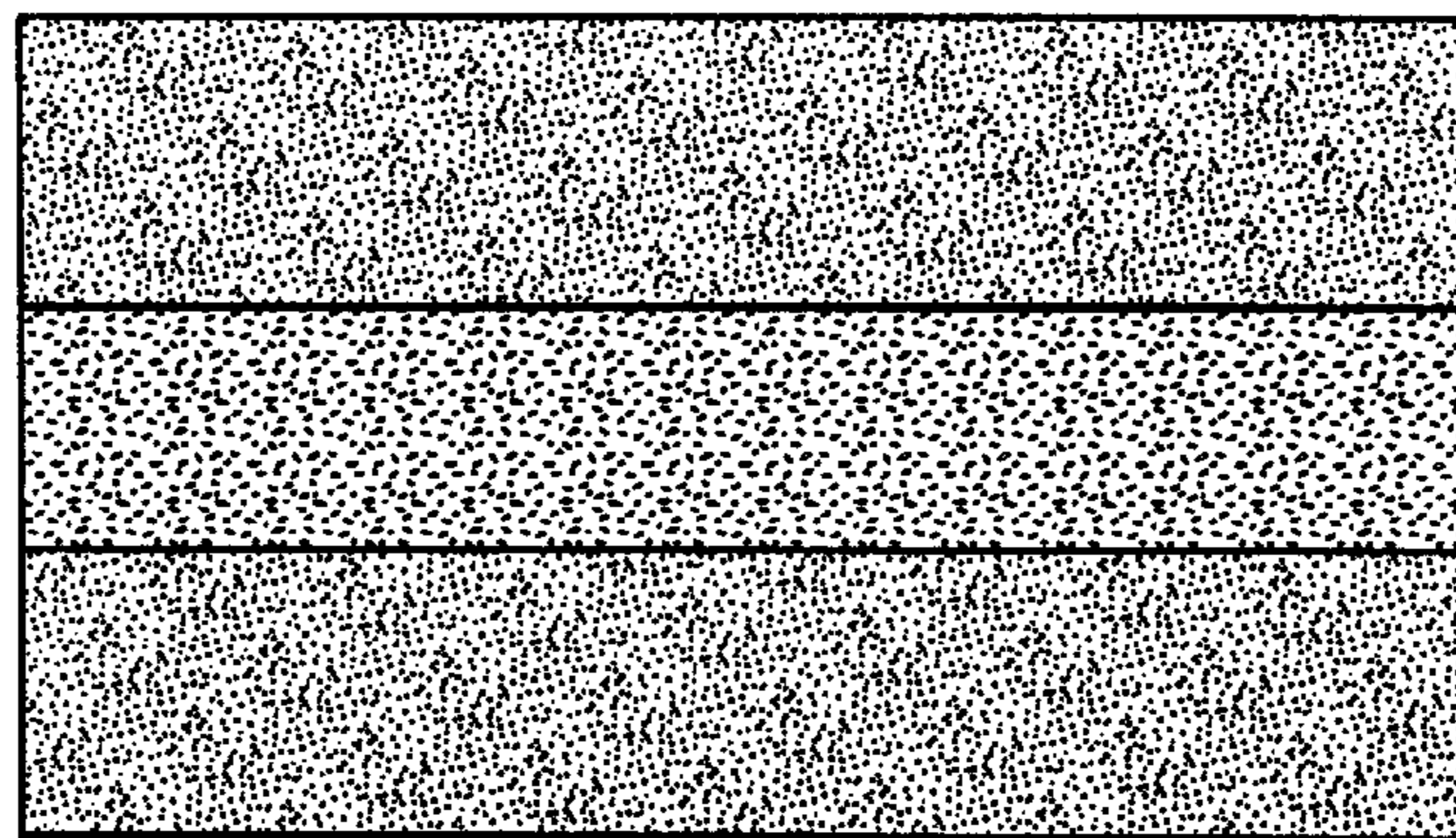
*Fig. 5*



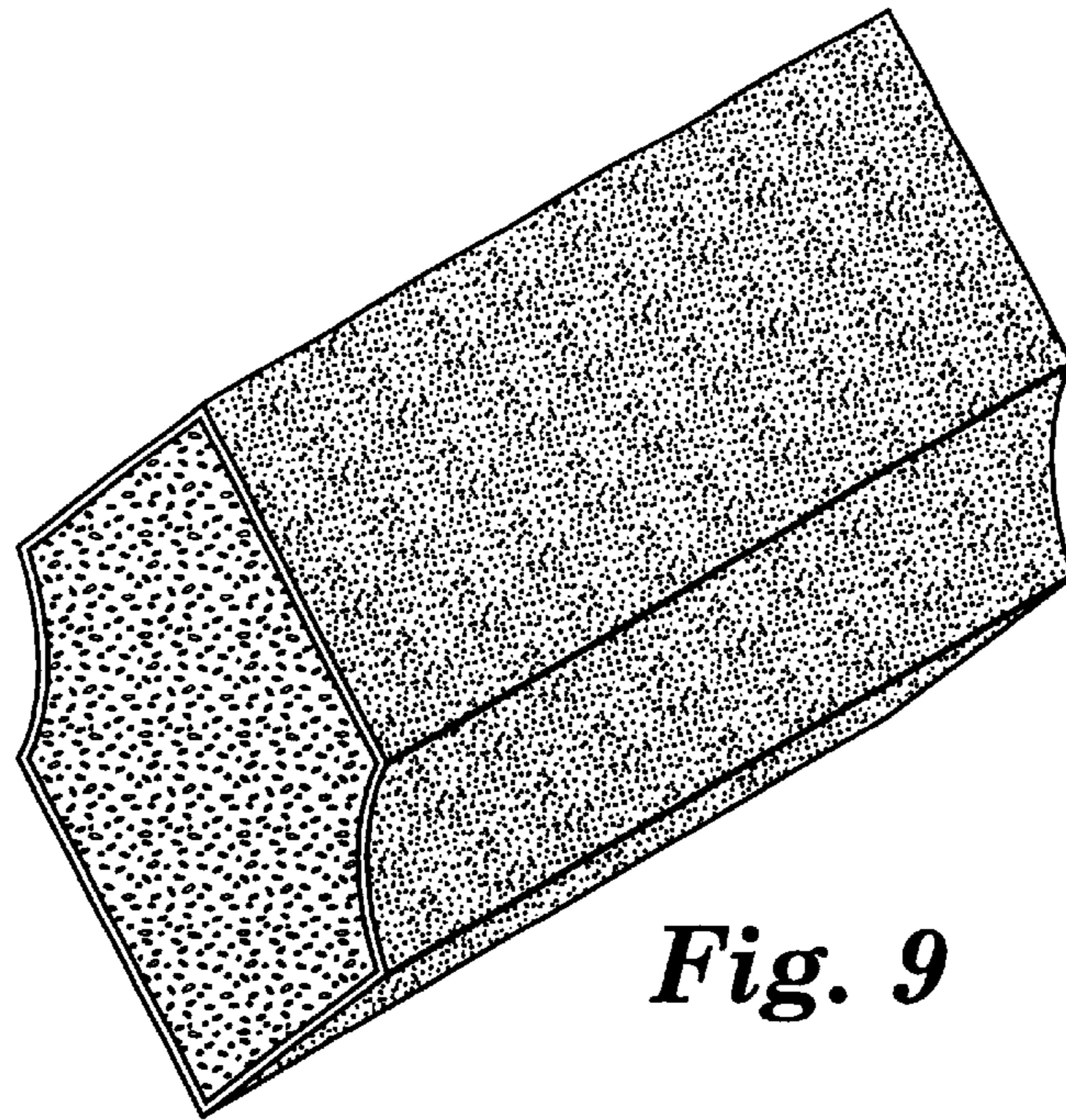
*Fig. 6*



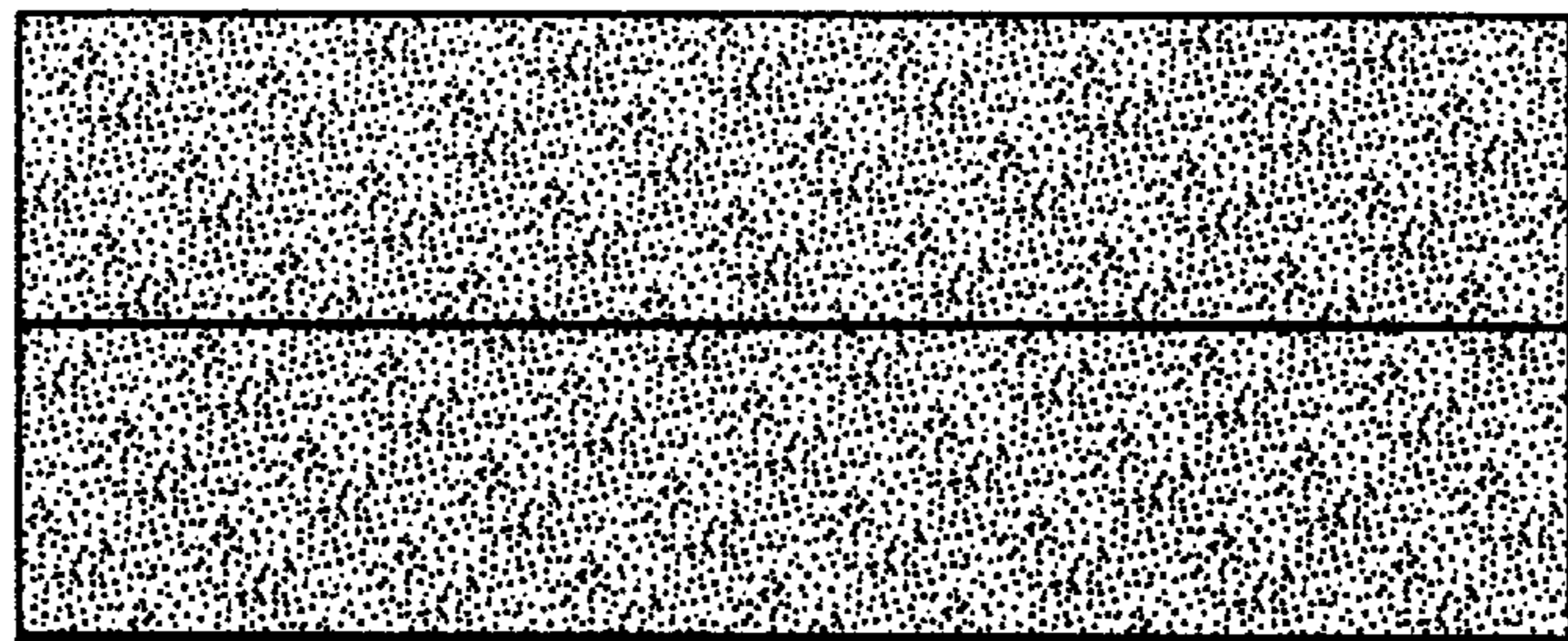
*Fig. 7*



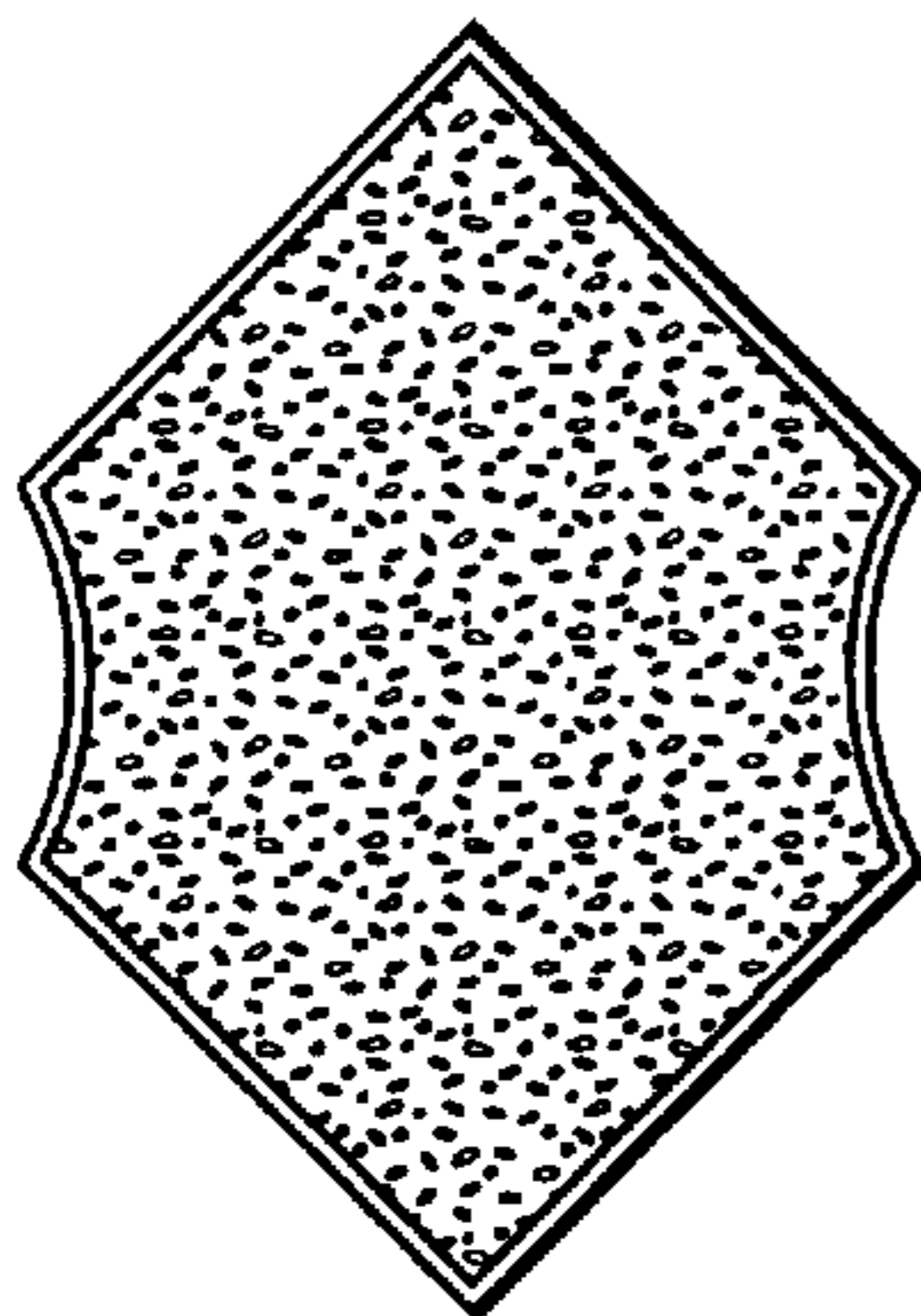
*Fig. 8*



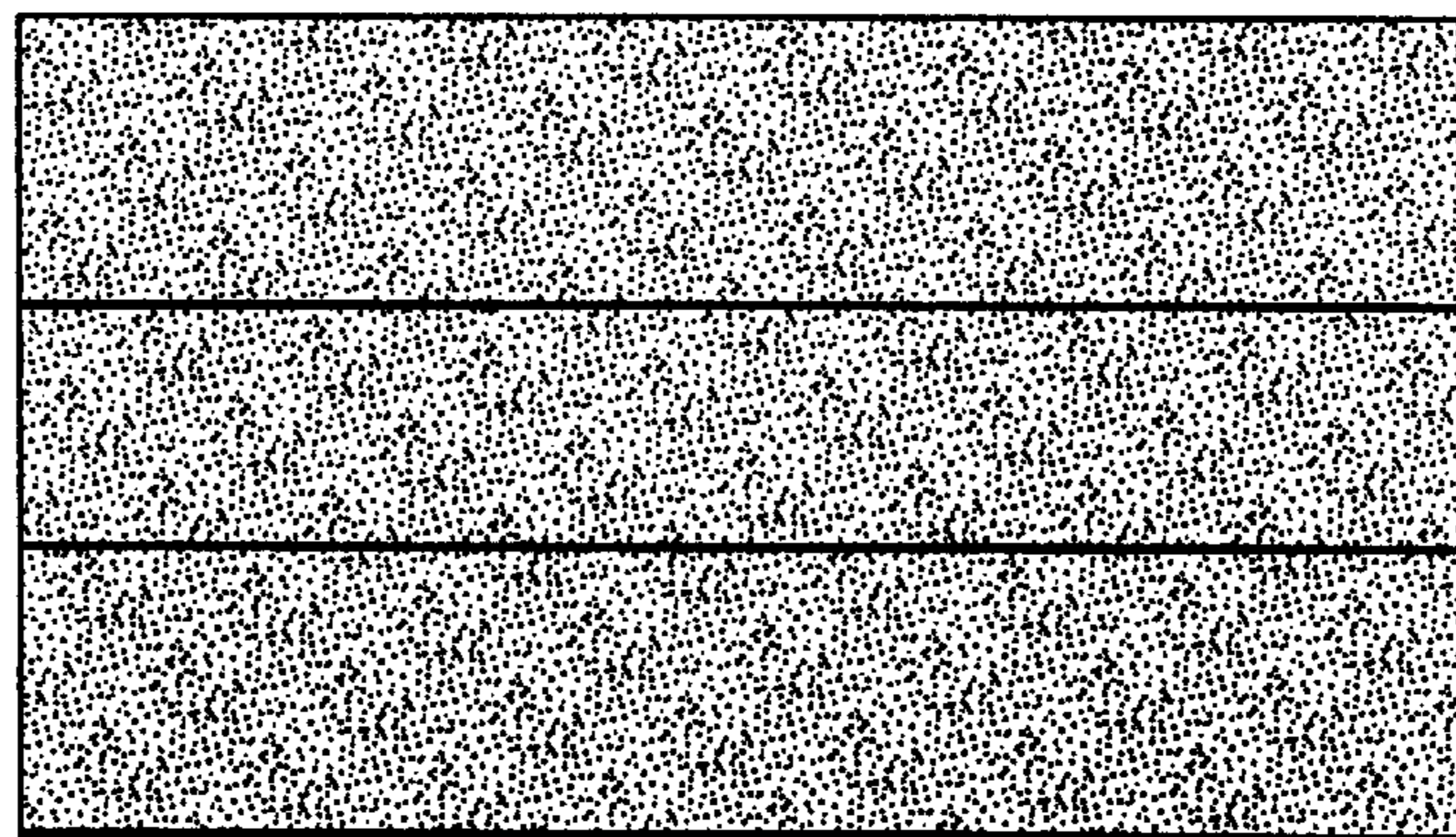
*Fig. 9*



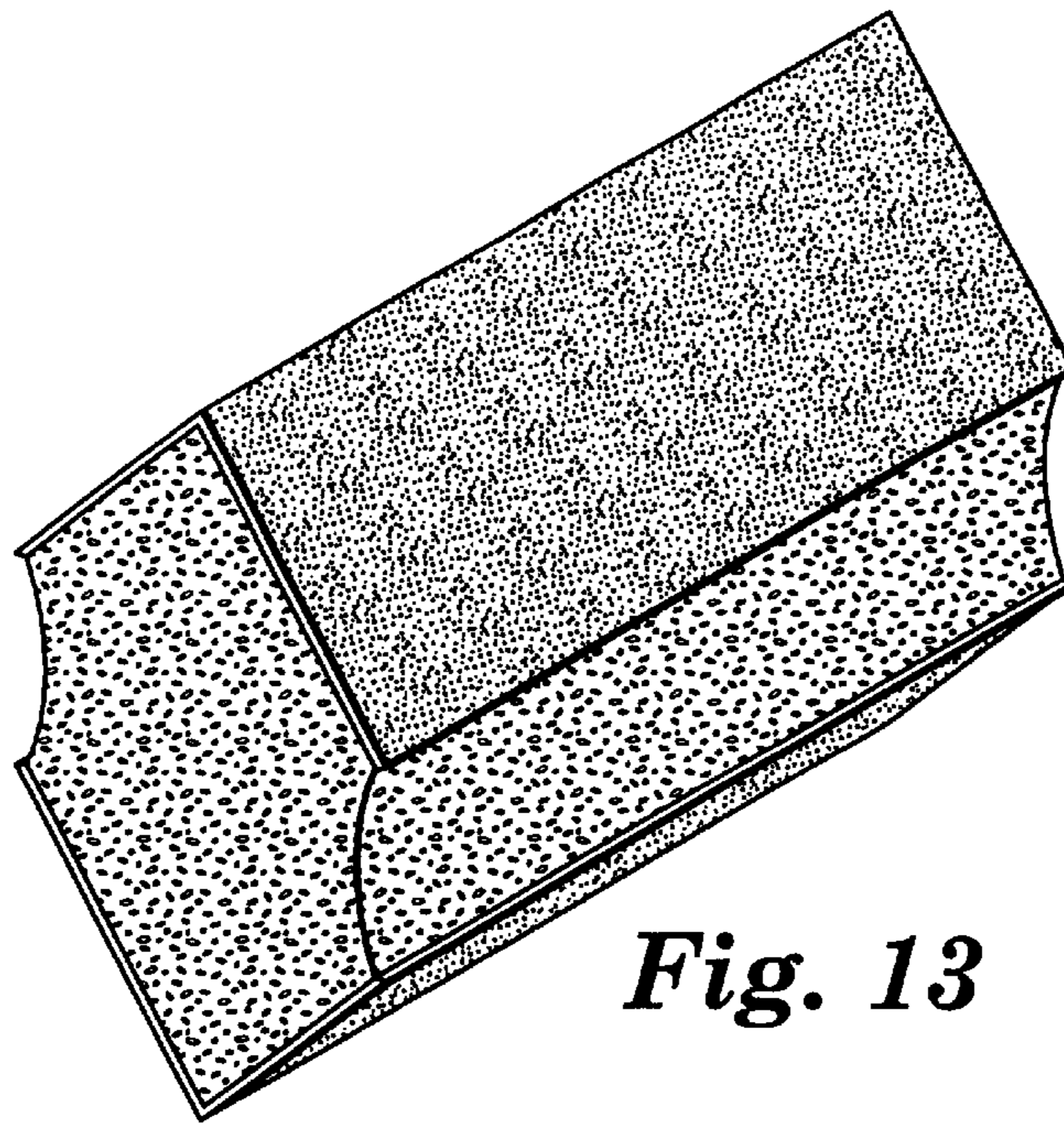
*Fig. 10*



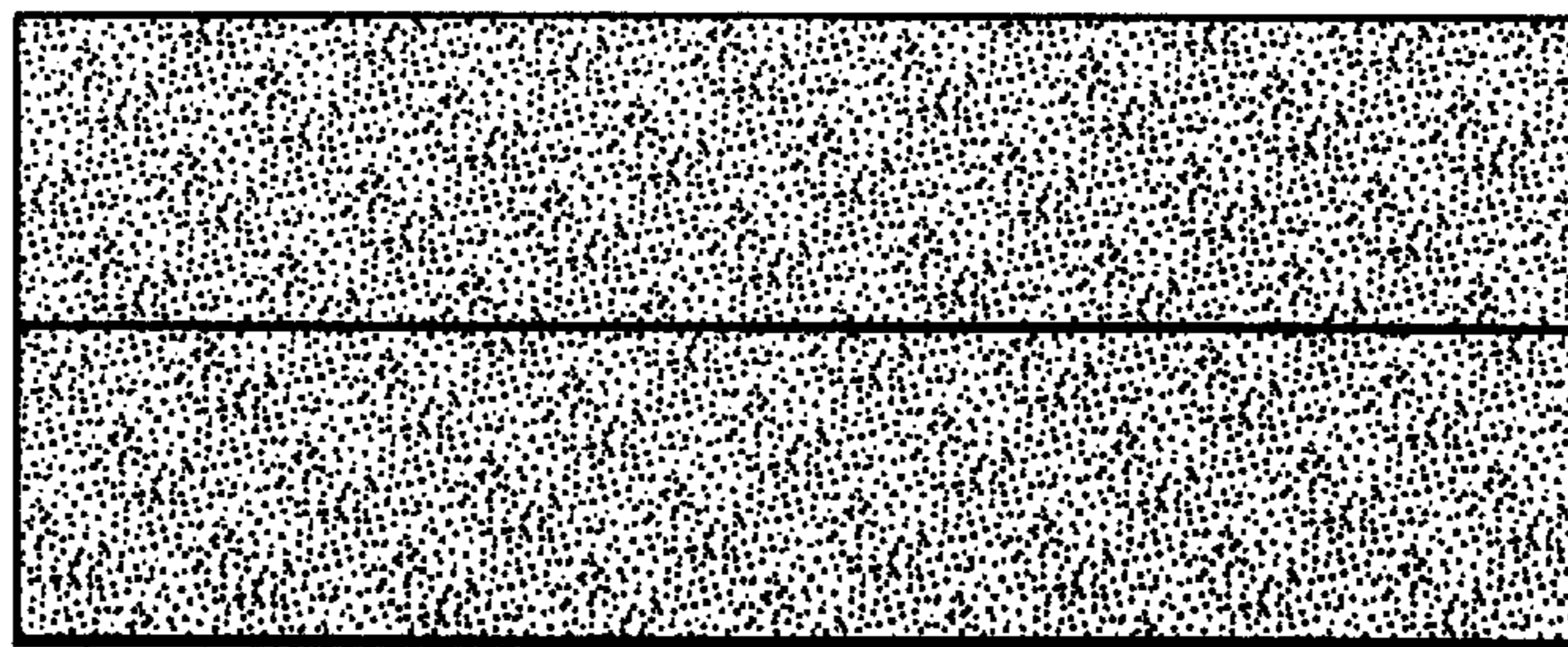
*Fig. 11*



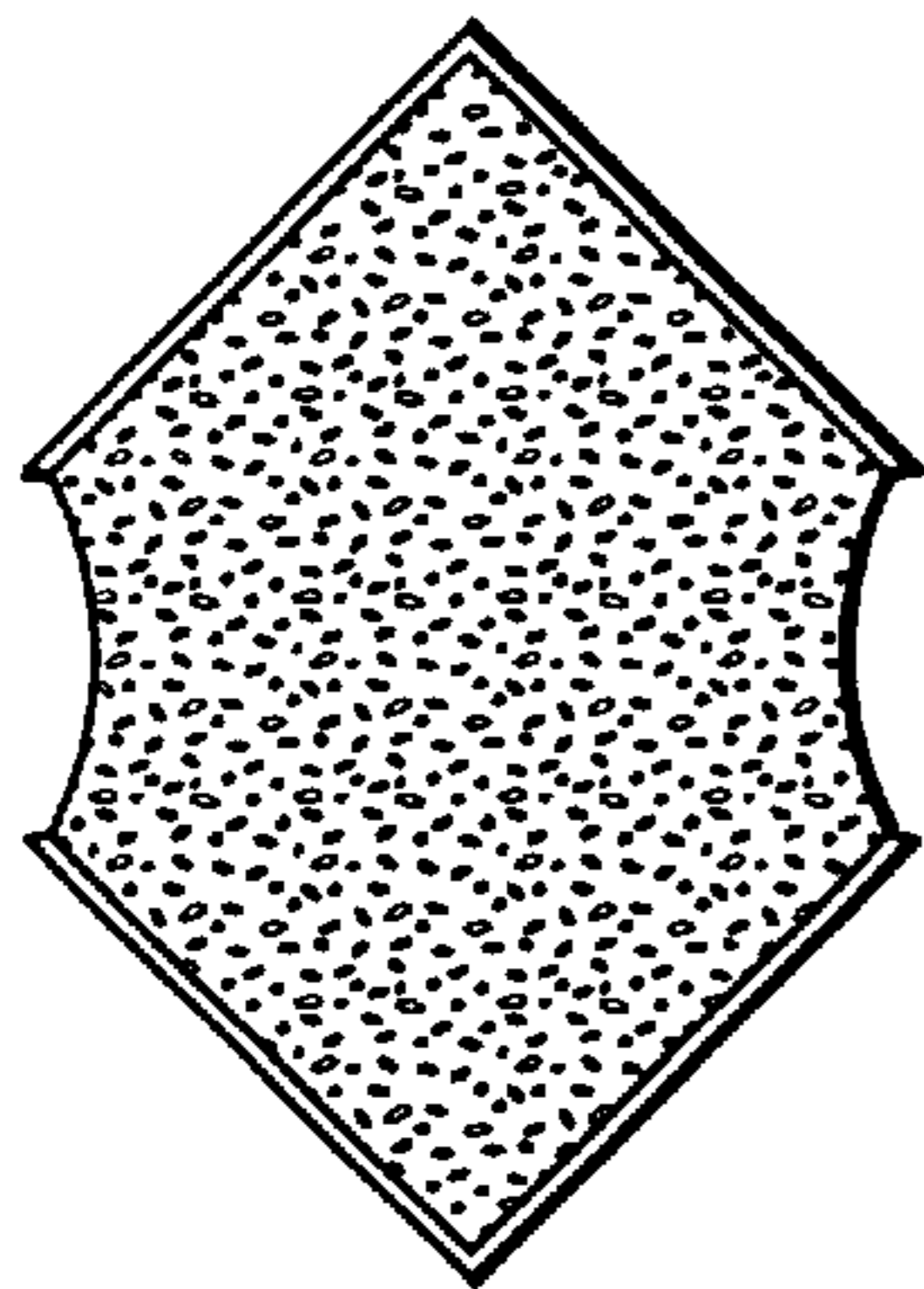
*Fig. 12*



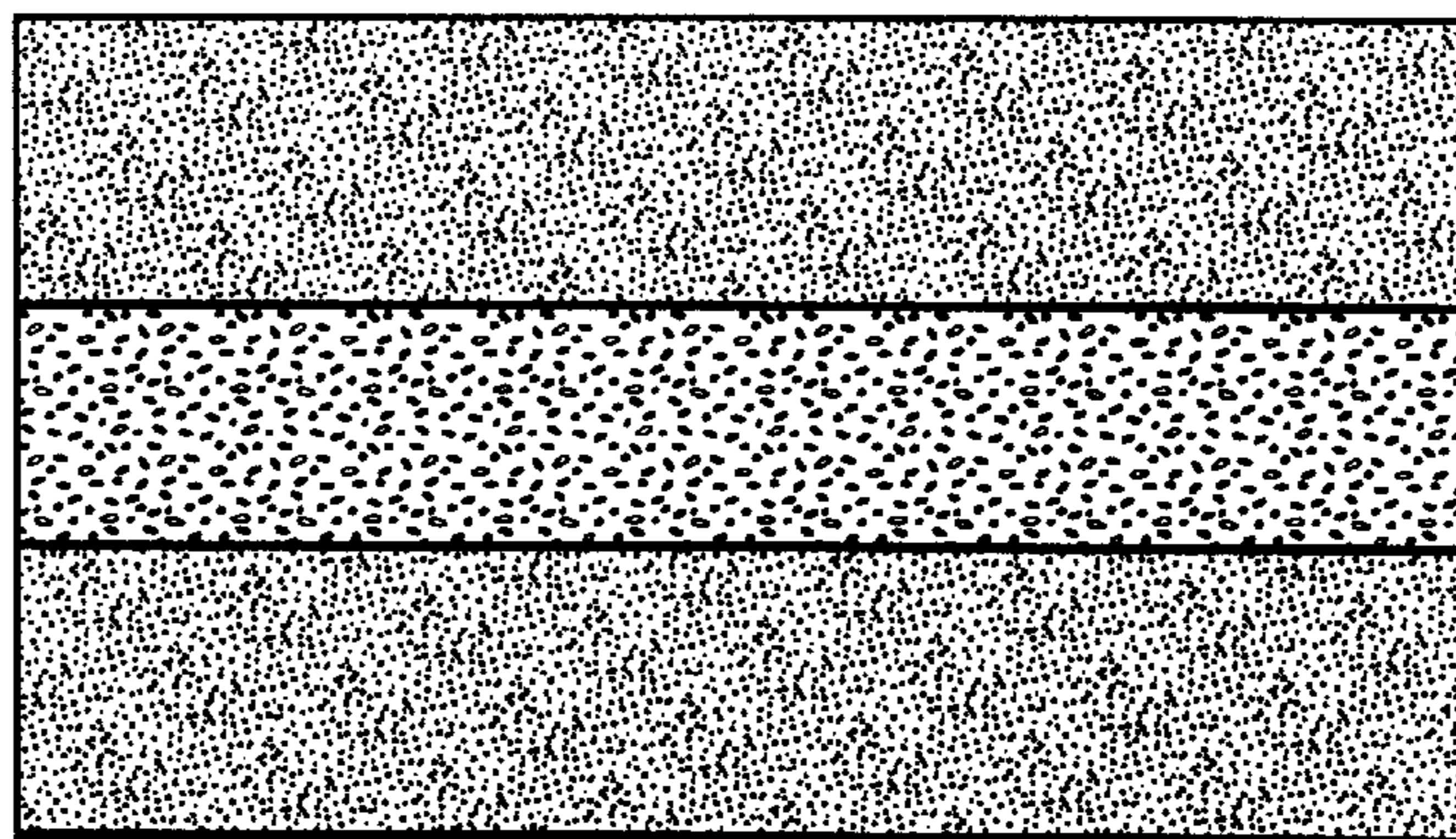
*Fig. 13*



*Fig. 14*



*Fig. 15*



*Fig. 16*