

US00D497091S1

(12) **United States Design Patent**
Leasure

(10) **Patent No.:** **US D497,091 S**

(45) **Date of Patent:** **** Oct. 12, 2004**

(54) **PNEUMATIC FASTENER**

(75) **Inventor:** **Jeremy D. Leasure**, Jackson, TN (US)

(73) **Assignee:** **Delta International Machinery Corp.**,
Jackson, TN (US)

(**) **Term:** **14 Years**

(21) **Appl. No.:** **29/194,258**

(22) **Filed:** **Nov. 19, 2003**

(51) **LOC (7) Cl.** **08-05**

(52) **U.S. Cl.** **D8/68; D8/69**

(58) **Field of Search** D8/14.1, 61, 62,
D8/63, 64, 65, 66, 67, 68, 69, 70; 81/57.11,
429, 464, 465, 466, 469, 489; 173/13, 169,
178, 213, 217; 227/8, 114, 120, 130, 136,
142; 310/50; 408/20, 124, 125, 234, 241 R;
451/358

(56) **References Cited**

U.S. PATENT DOCUMENTS

4,936,192 A	*	6/1990	Johnsson et al.	227/130
D316,022 S	*	4/1991	Moraht	D8/68
D336,026 S	*	6/1993	Fujiwara	D8/68
D338,818 S	*	8/1993	Katsuba	D8/62
5,484,094 A	*	1/1996	Gupta	227/8
5,564,614 A	*	10/1996	Yang	227/8
5,588,577 A	*	12/1996	Chen	227/130
5,632,431 A	*	5/1997	Lin	227/120
D396,178 S	*	7/1998	Hattori	D8/68

D403,936 S	*	1/1999	Somers	D8/61
D410,182 S	*	5/1999	Etter et al.	D8/69
6,036,072 A	*	3/2000	Lee	227/120
6,158,643 A	*	12/2000	Phillips	227/8
6,398,097 B1	*	6/2002	Liang	227/136
6,422,446 B1	*	7/2002	Liu	227/8
D462,884 S	*	9/2002	Oh	D8/69
D475,597 S	*	6/2003	Arai	D8/68
D477,760 S	*	7/2003	Chang	D8/68
D477,762 S	*	7/2003	Bor	D8/68
D478,490 S	*	8/2003	Wu	D8/68
D479,110 S	*	9/2003	Nolan et al.	D8/69
6,644,530 B2	*	11/2003	Chen	227/120
2003/0102351 A1	*	6/2003	Cheng	227/120

* cited by examiner

Primary Examiner—James Gandy
Assistant Examiner—T. Chase Nelson
(74) *Attorney, Agent, or Firm*—Suiter West PC LLO

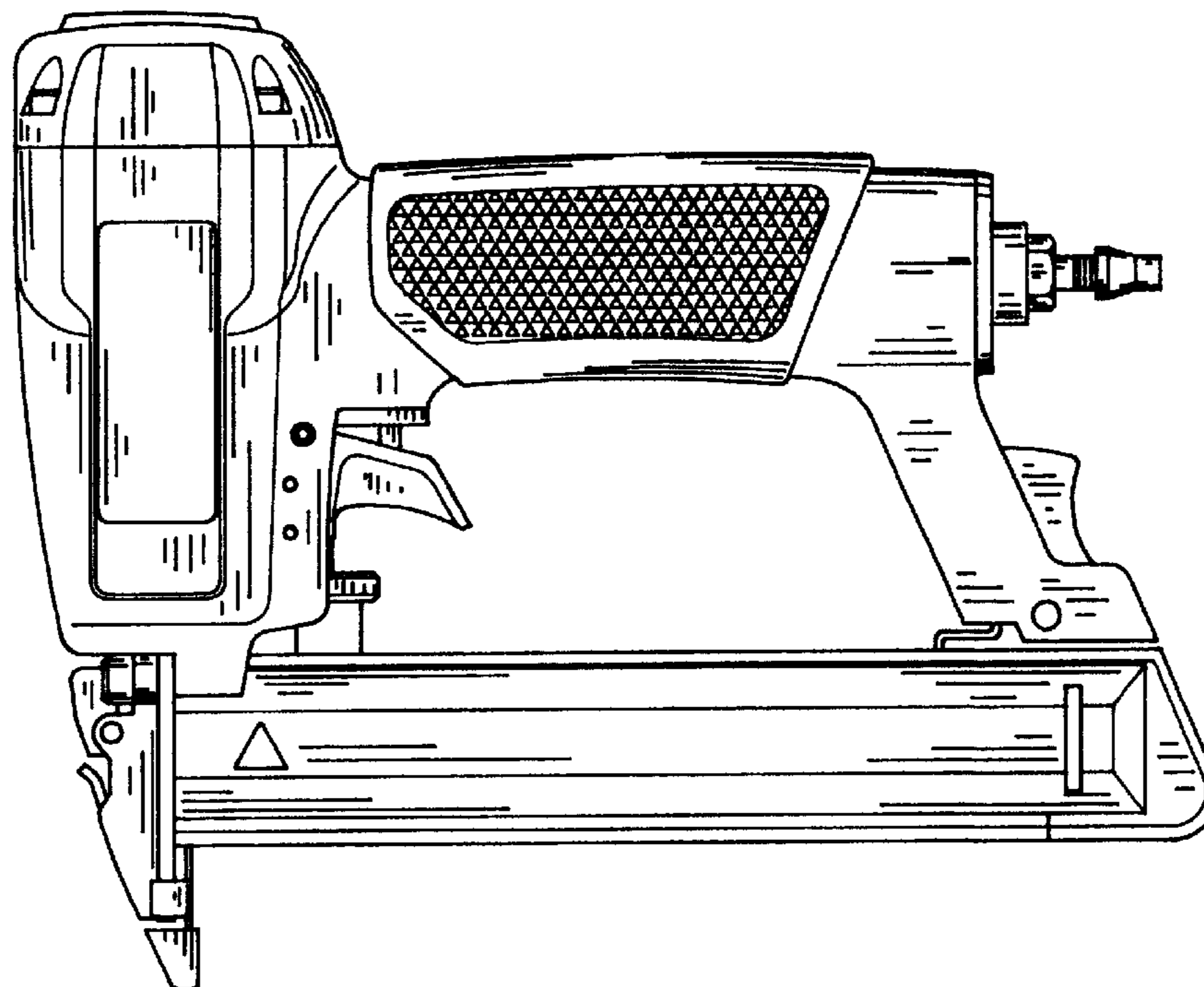
(57) **CLAIM**

I claim the ornamental design for a pneumatic fastener, as shown.

DESCRIPTION

FIG. 1 is a front elevation view showing my new design;
FIG. 2 is a top plan view thereof;
FIG. 3 is a left side elevation view thereof;
FIG. 4 is rear elevation view thereof;
FIG. 5 is a right side elevation view thereof; and,
FIG. 6 is a bottom plan view thereof.

1 Claim, 2 Drawing Sheets



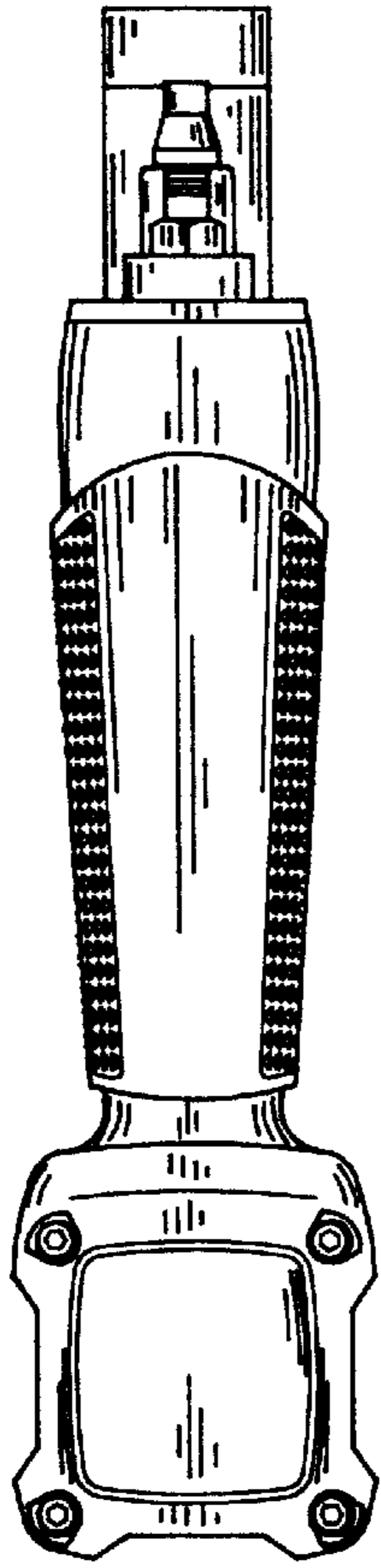


FIG. 2

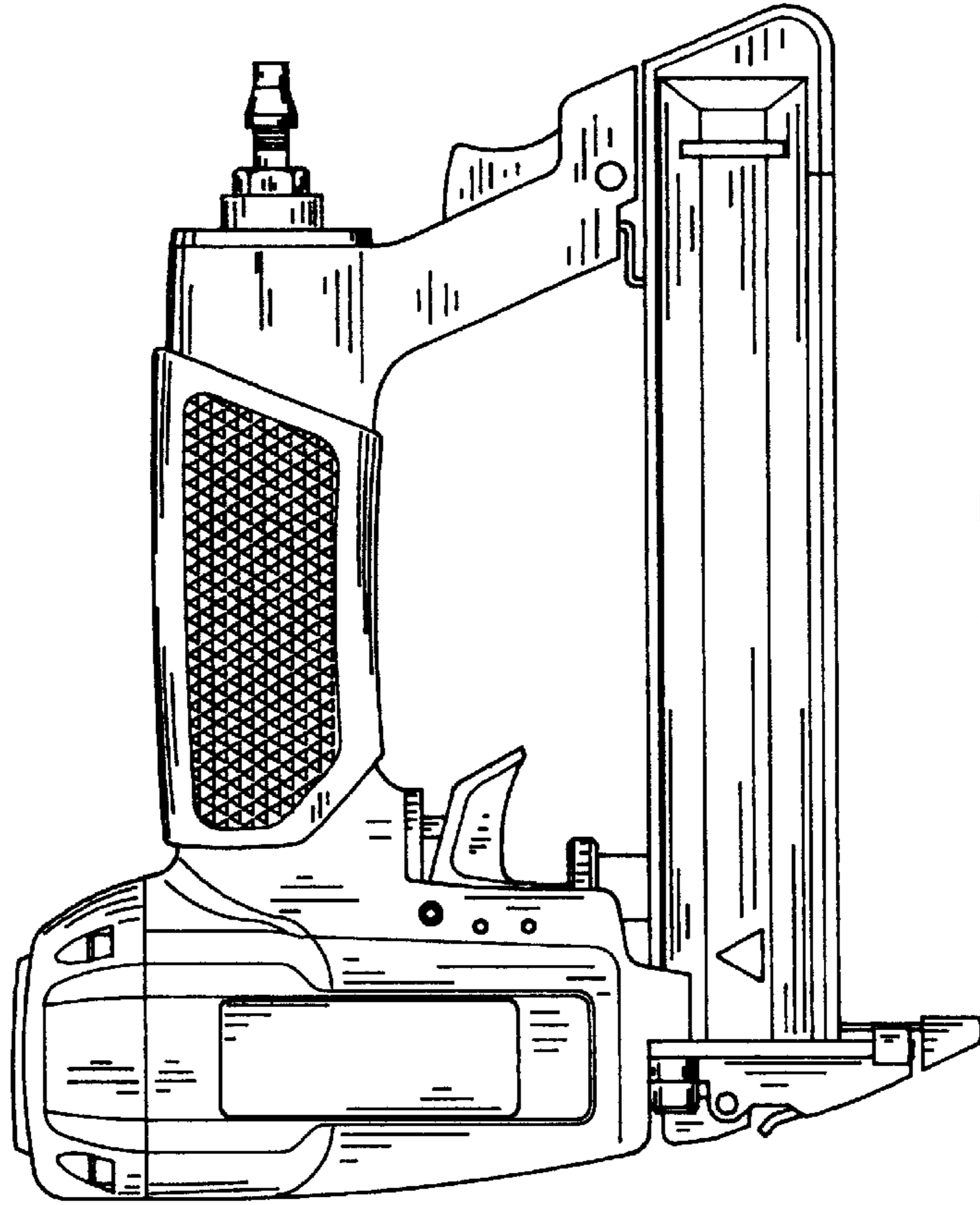


FIG. 3

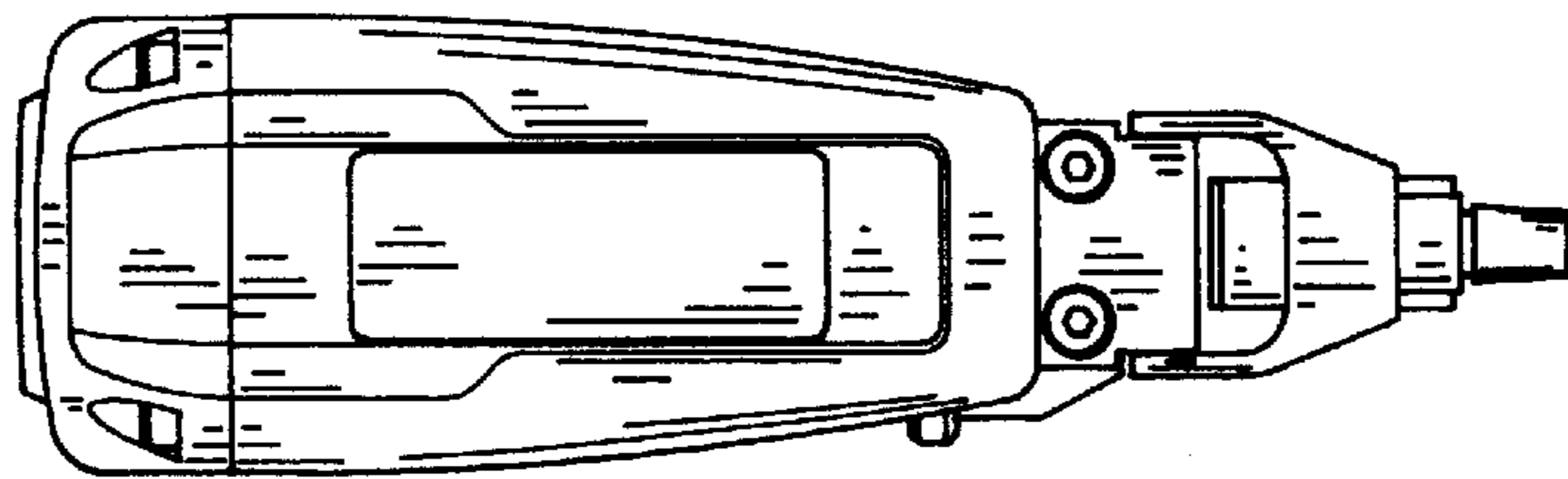


FIG. 1

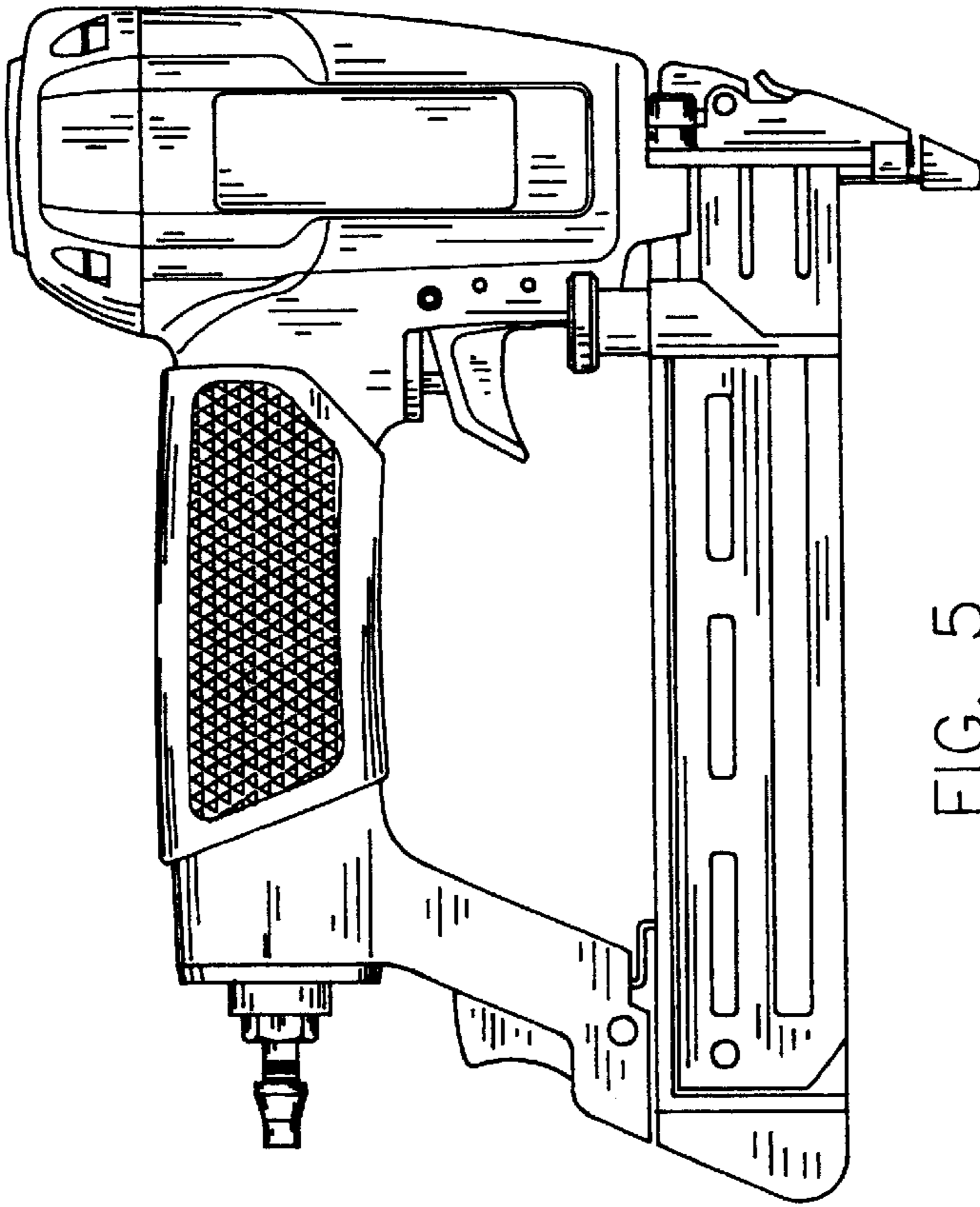


FIG. 5

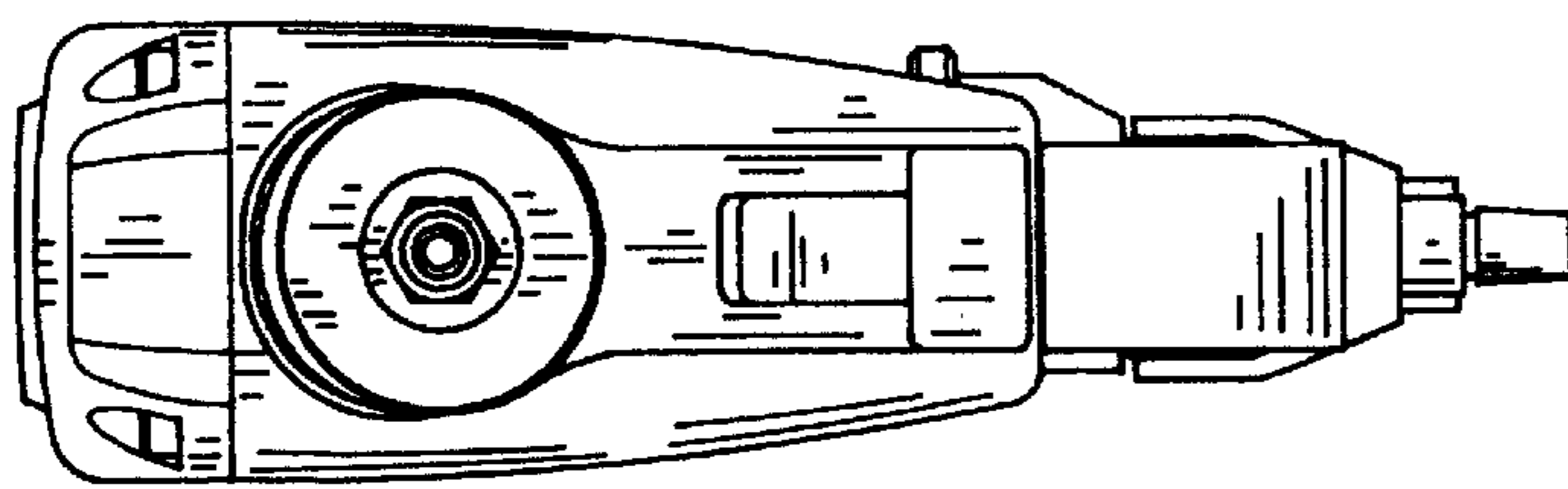


FIG. 4

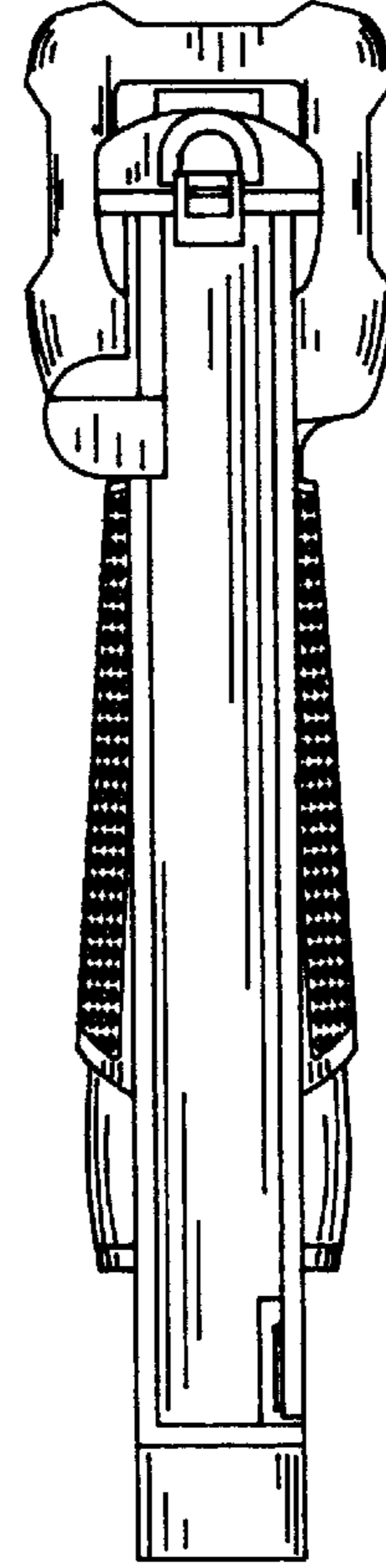


FIG. 6