

US00D497090S1

(12) **United States Design Patent**  
Wacker et al.

(10) **Patent No.: US D497,090 S**

(45) **Date of Patent: \*\* Oct. 12, 2004**

(54) **RANDOM ORBIT SANDER**  
(75) Inventors: **Charles M. Wacker**, Belton, SC (US);  
**Kevin Kok Vui Lai**, Chatin (HK)  
(73) Assignee: **One World Technologies, Limited**,  
Hamilton (BM)  
(\*\*) Term: **14 Years**

(21) Appl. No.: **29/188,081**  
(22) Filed: **Aug. 11, 2003**

(51) **LOC (7) Cl. .... 08-01**  
(52) **U.S. Cl. .... D8/62**  
(58) **Field of Search** ..... D8/61, 62, 67,  
D8/69; 173/170, 171; 310/50; 451/344,  
351, 352, 353, 354, 355, 356, 357, 358,  
359, 451, 456

(56) **References Cited**

**U.S. PATENT DOCUMENTS**

D207,720 S	5/1967	Anton	.....	D37/1
D326,398 S	* 5/1992	Fushiya et al.	.....	D8/62
D328,695 S	8/1992	Hoshino et al.	.....	D8/69
D329,362 S	* 9/1992	Saito et al.	.....	D8/62
D332,734 S	* 1/1993	Fushiya et al.	.....	D4/102
D345,089 S	* 3/1994	Kikuchi et al.	.....	D8/62
D352,437 S	* 11/1994	Chunn et al.	.....	D8/62
5,384,984 A	* 1/1995	Smith	.....	451/357
D357,393 S	4/1995	Kazama et al.	.....	D8/62
D376,304 S	12/1996	Clowers et al.	.....	D8/62
D380,950 S	* 7/1997	Gildersleeve et al.	.....	D8/62
D386,376 S	* 11/1997	Kaneko et al.	.....	D8/62

D392,861 S	* 3/1998	Gildersleeve et al.	.....	D8/62
5,813,903 A	* 9/1998	Amano et al.	.....	451/294
D408,245 S	* 4/1999	Evans et al.	.....	D8/62
5,941,765 A	* 8/1999	Taylor	.....	451/359
D416,112 S	* 11/1999	Holliday et al.	.....	D32/19
D448,262 S	* 9/2001	Heun	.....	D8/62
D468,178 S	* 1/2003	Wright et al.	.....	D8/62
D468,608 S	* 1/2003	Wacker et al.	.....	D8/62
6,503,133 B2	* 1/2003	Wuensch	.....	451/357
D476,543 S	* 7/2003	Wu	.....	D8/62
D478,488 S	* 8/2003	Bruno et al.	.....	D8/62
D488,365 S	* 4/2004	Liu	.....	D8/62
2002/0031992 A1	* 3/2002	Clowers et al.	.....	451/357

\* cited by examiner

*Primary Examiner*—Joel Sincavage  
*Assistant Examiner*—Elizabeth Albert  
(74) *Attorney, Agent, or Firm*—John B. Hardaway, III;  
Nexsen Pruet, LLC

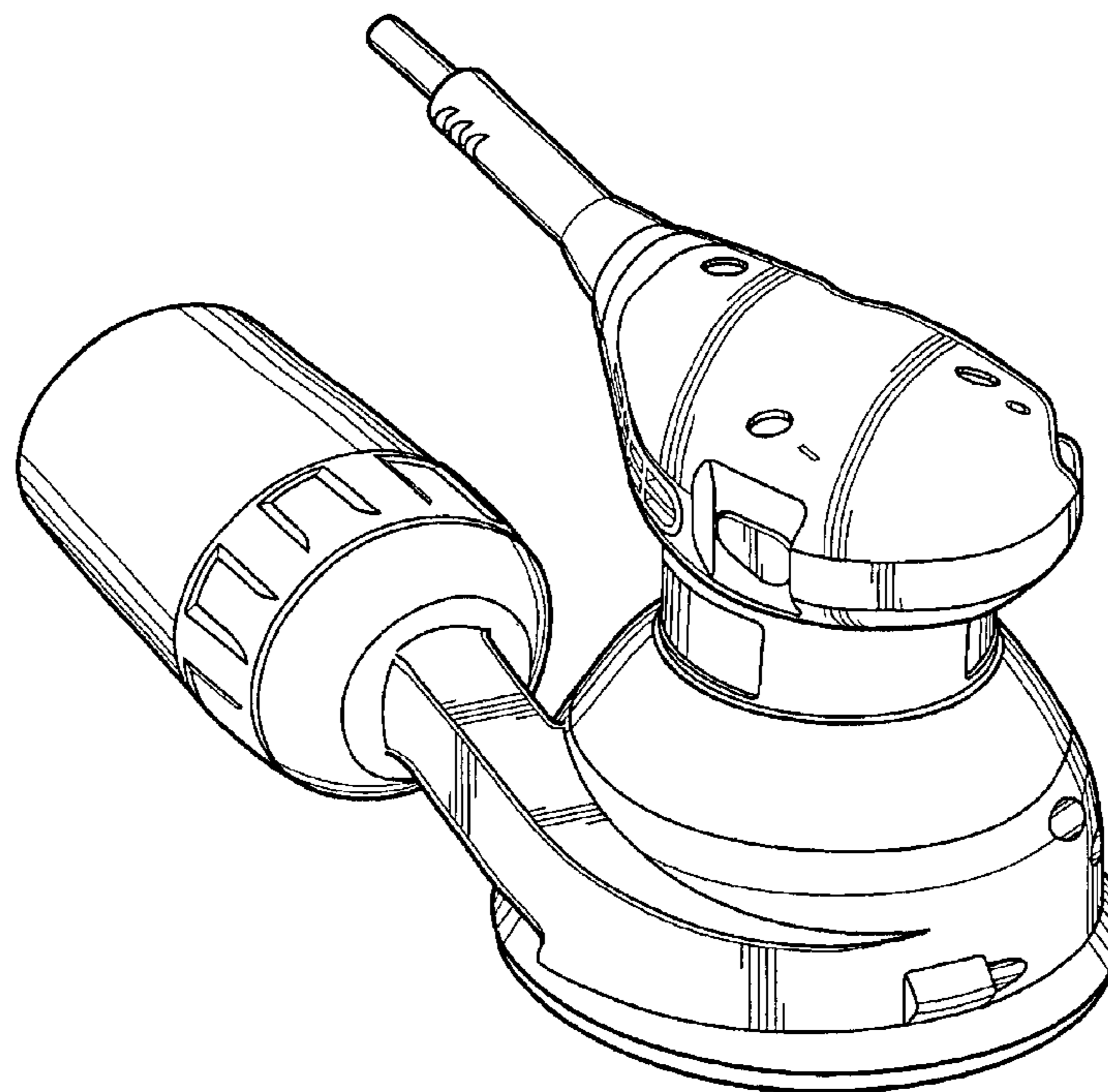
(57) **CLAIM**

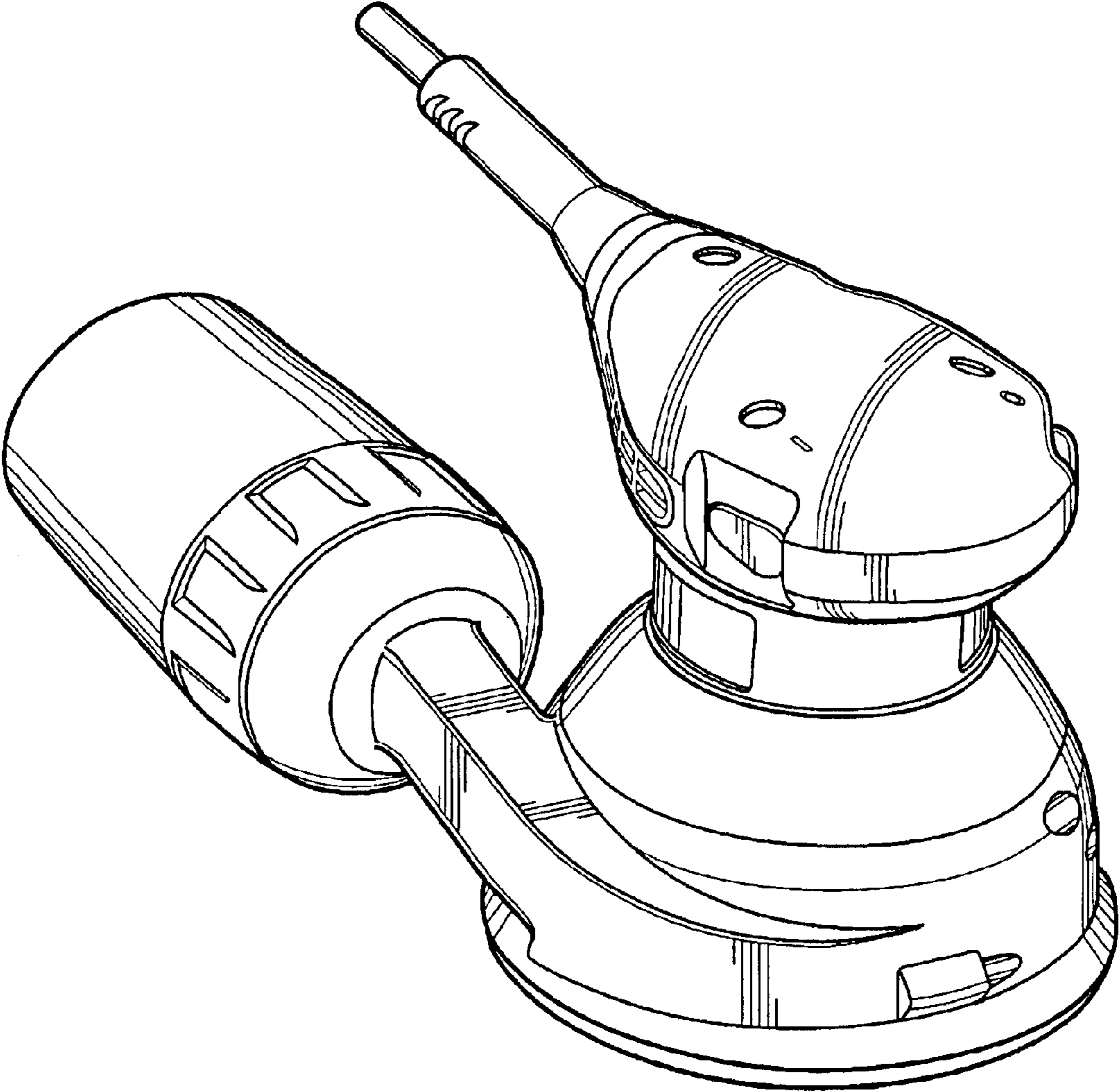
The ornamental design for a random orbit sander, as shown and described.

**DESCRIPTION**

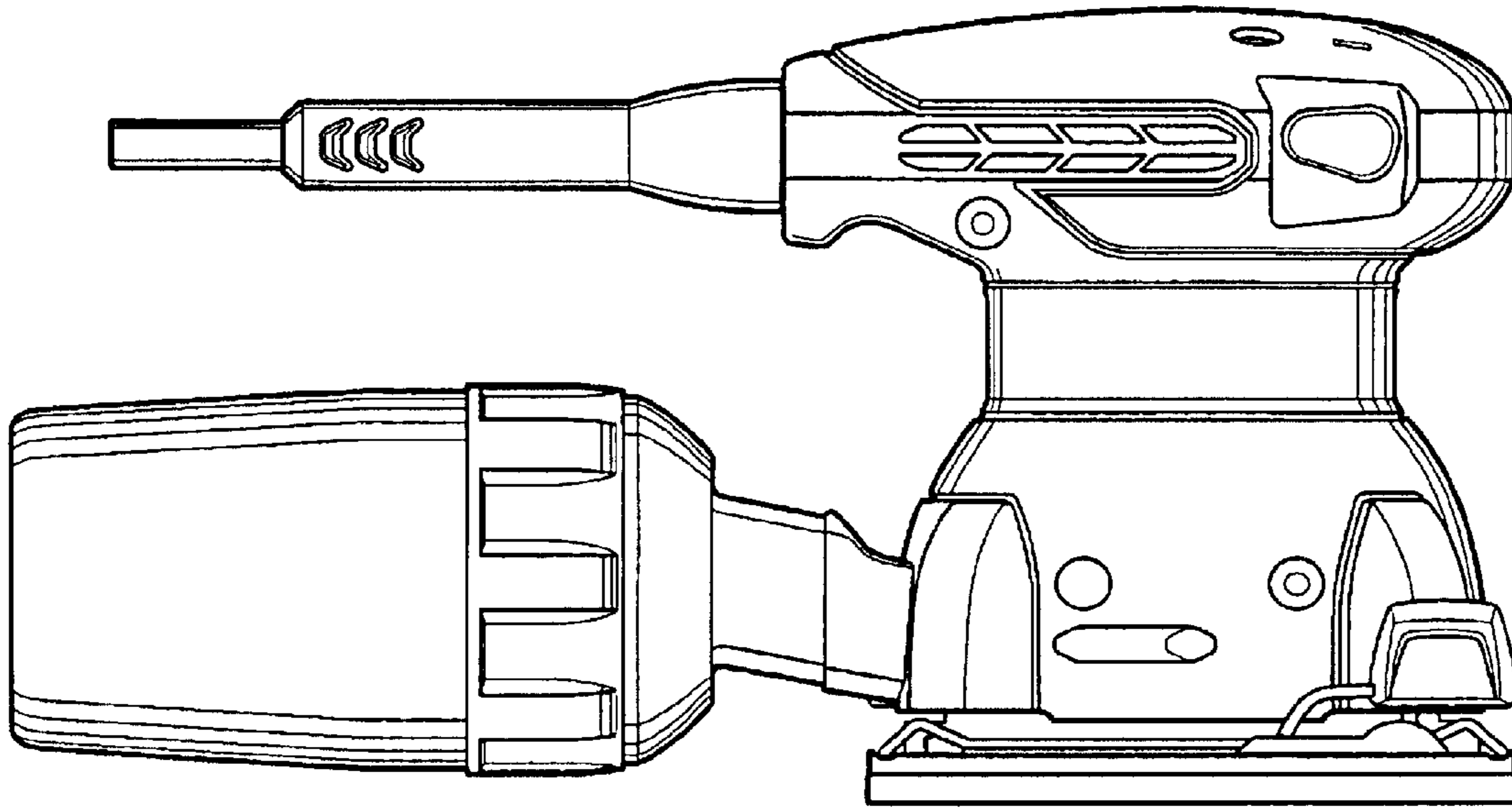
FIG. 1 is a front perspective view of the random orbit sander of the present invention;  
FIG. 2 is a left side elevational view thereof;  
FIG. 3 is a right side elevational view thereof;  
FIG. 4 is a front view thereof;  
FIG. 5 is a rear view thereof;  
FIG. 6 is a top view thereof; and,  
FIG. 7 is a bottom view thereof.

**1 Claim, 4 Drawing Sheets**

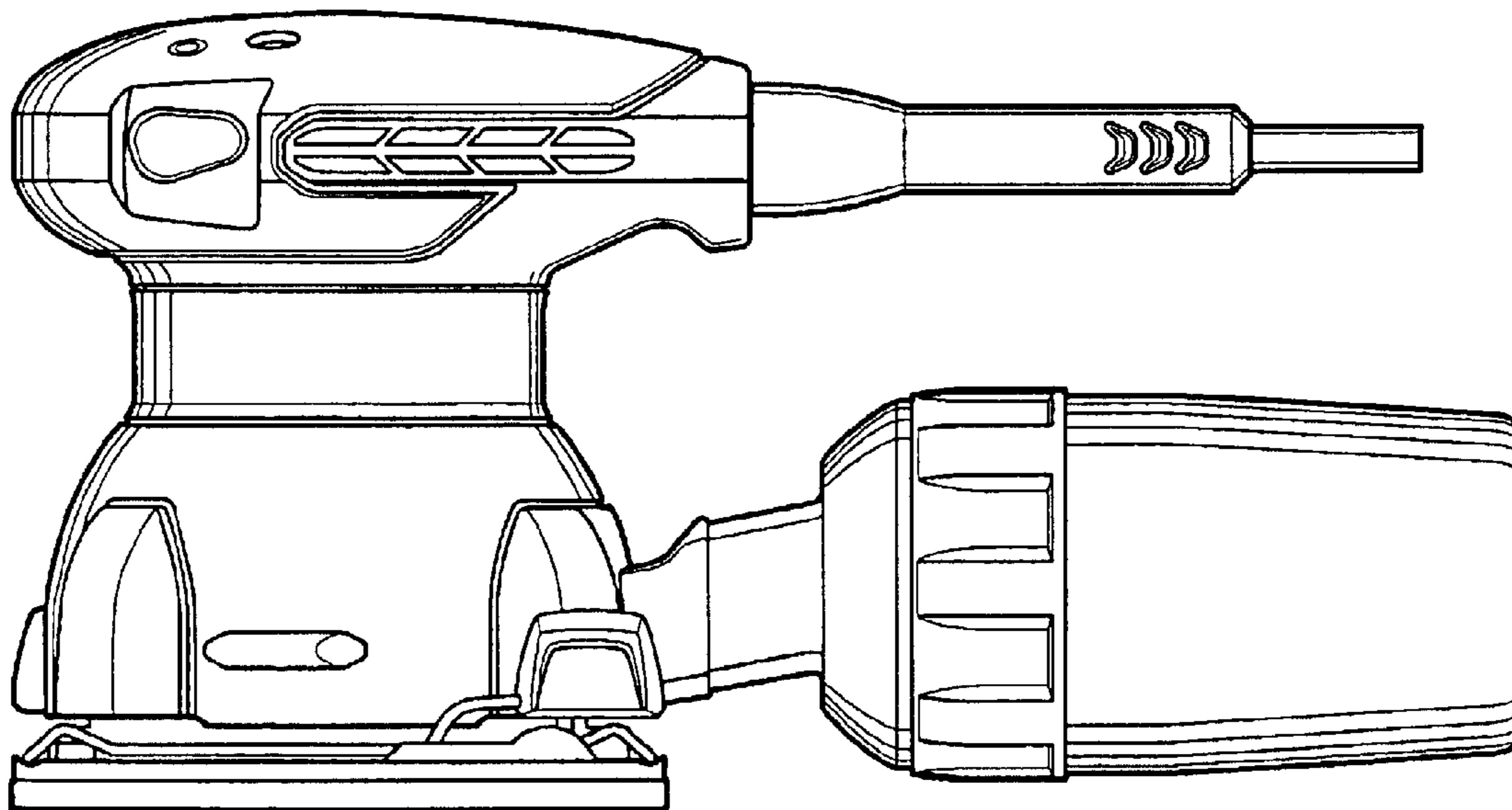




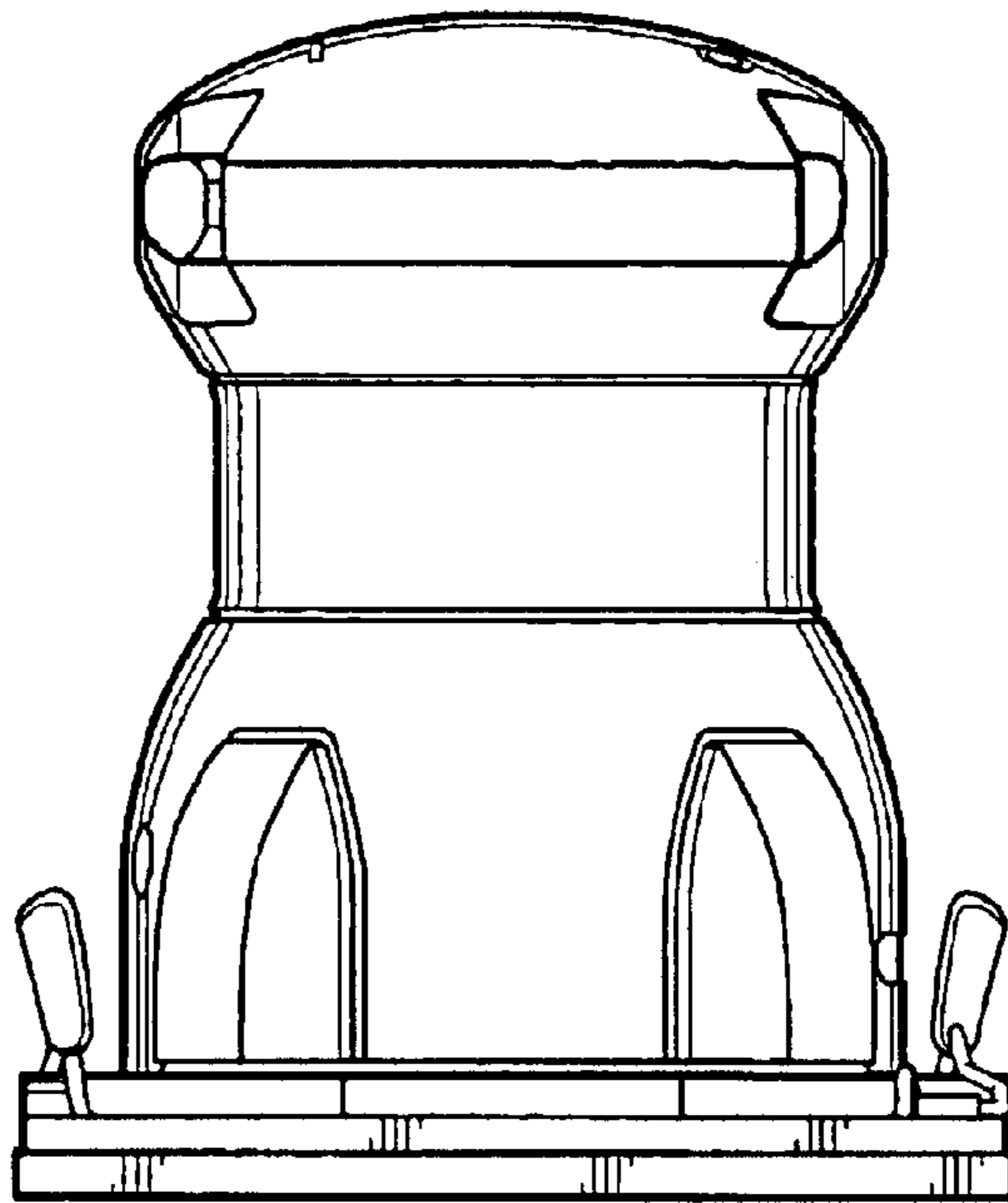
**FIG. 1**



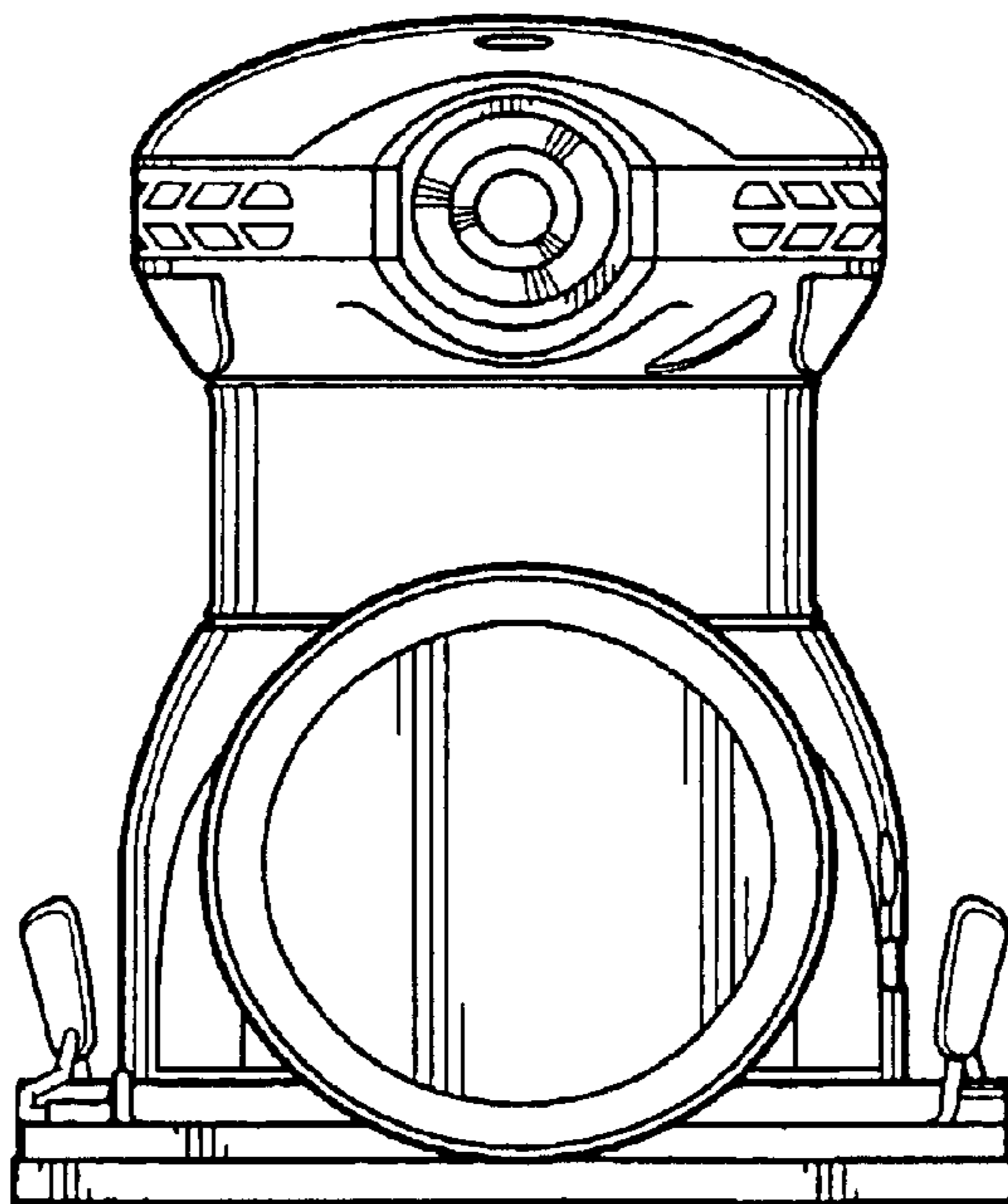
**FIG. 2**



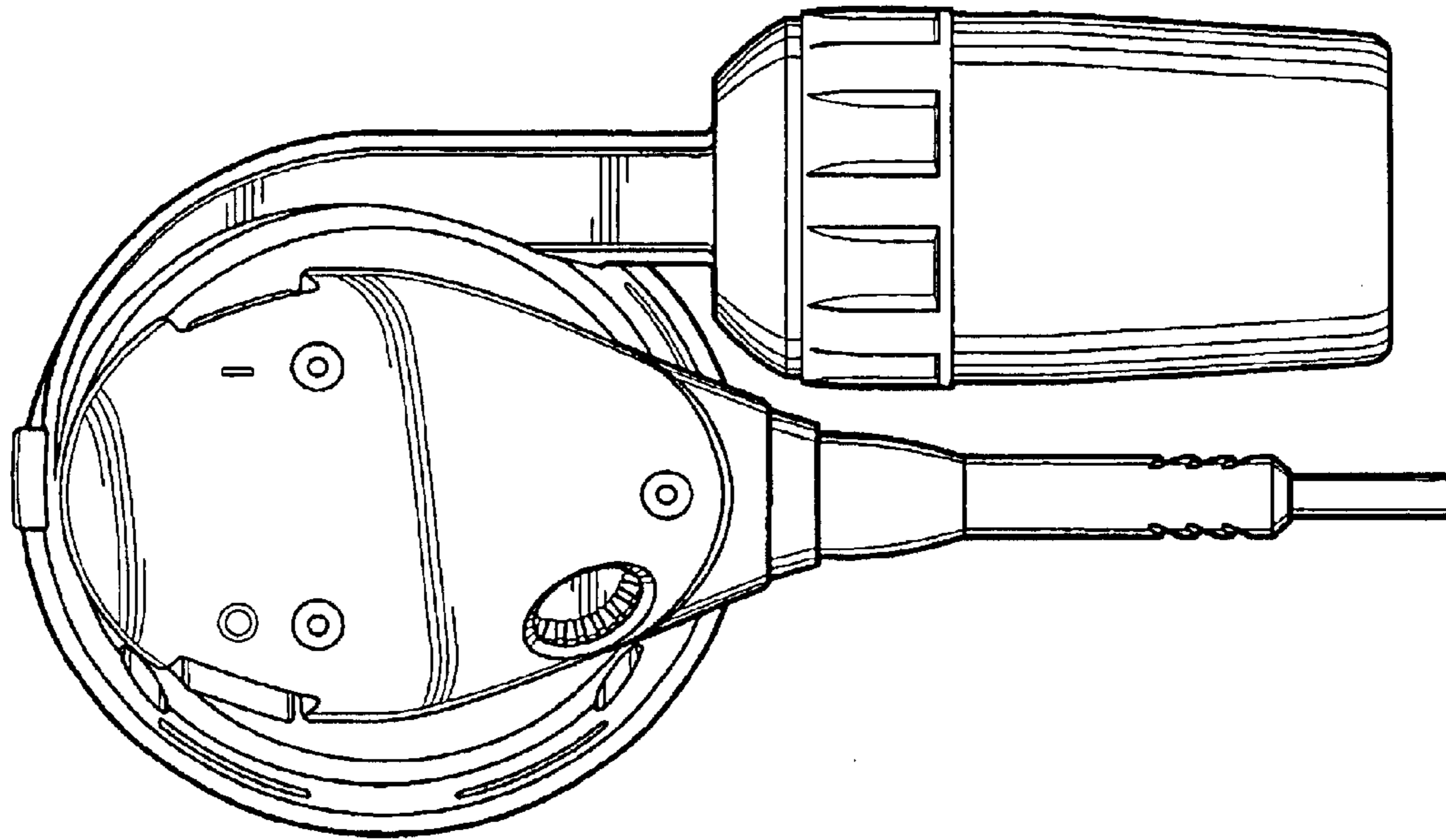
**FIG. 3**



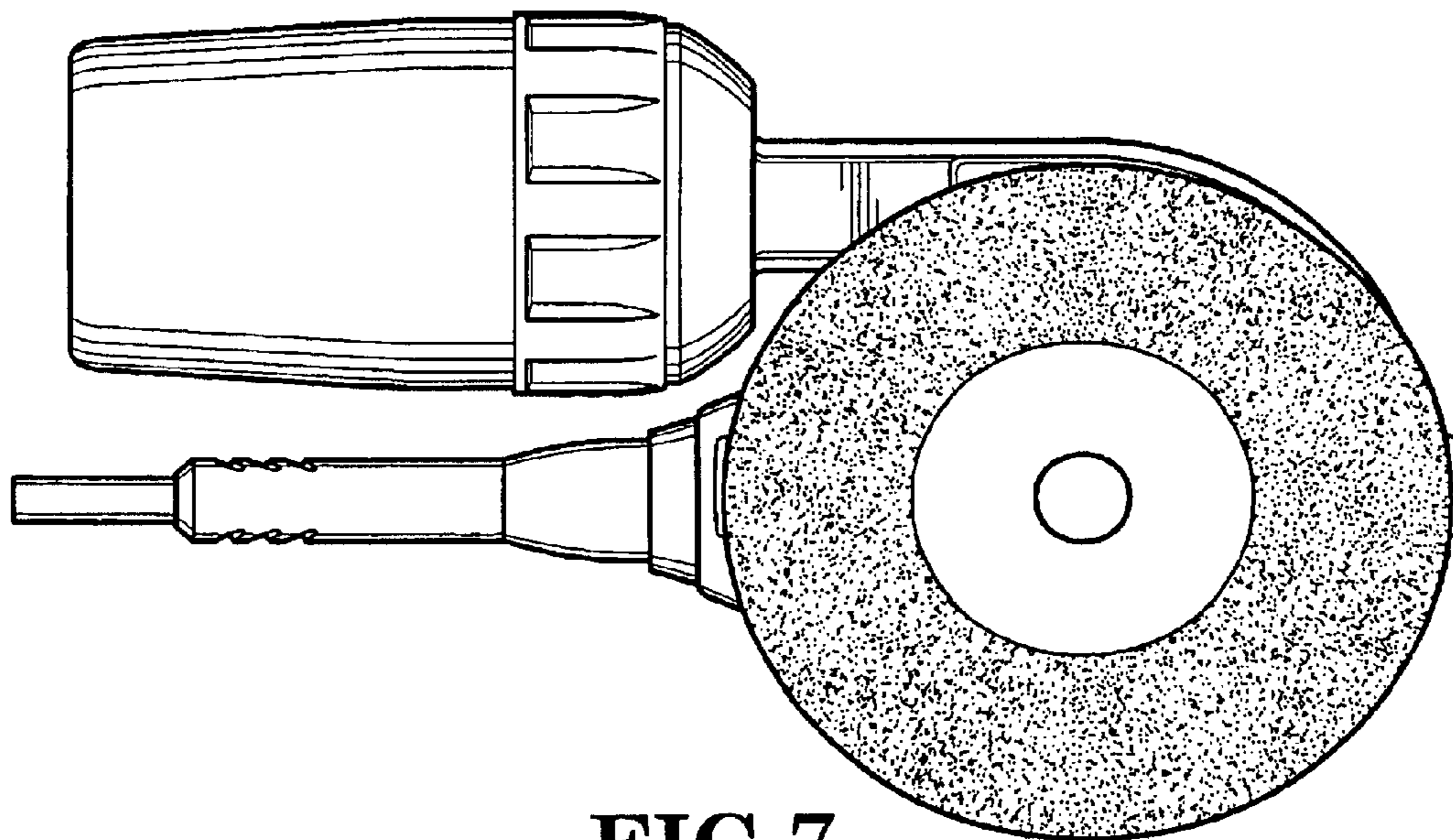
**FIG. 4**



**FIG. 5**



**FIG. 6**



**FIG. 7**