

US00D497087S1

(12) **United States Design Patent** (10) **Patent No.:** **US D497,087 S**
Gallo et al. (45) **Date of Patent:** **** Oct. 12, 2004**

(54) **HAMMER SHAPED BOTTLE OPENER**

D472,435 S 4/2003 Kelleghan

(75) Inventors: **Josiah James Gallo**, Brighton, CO (US); **Brian James Kelleghan**, Longmont, CO (US)

(73) Assignee: **Bison Designs, L.L.C.**, Longmont, CO (US)

(**) Term: **14 Years**

(21) Appl. No.: **29/192,897**

(22) Filed: **Oct. 30, 2003**

(51) **LOC (7) Cl.** **07-99**

(52) **U.S. Cl.** **D8/38; D3/211**

(58) **Field of Search** D8/16-19, 33-43, D8/21, 26, 29, 105, 76; D11/157-162; 7/151-156, 118; 81/3.07-3.49, 52, 119-125.1, 177.1-177.6, 436, 437; D3/211; 206/267

(56) **References Cited**

U.S. PATENT DOCUMENTS

745,008 A	*	11/1903	Gearhart	7/154
889,904 A	*	6/1908	Bush	206/267
D54,394 S	*	2/1920	Dodge	D8/17
D226,162 S	*	1/1973	Ziaylek, Jr.	D8/81
D233,405 S	*	10/1974	Frey	D8/76
D299,414 S	*	1/1989	Bajza et al.	D8/105
D356,237 S	*	3/1995	White	D8/34
D463,239 S	*	9/2002	Makedonski	D8/105
D466,768 S		12/2002	Kelleghan	
D466,769 S		12/2002	Kelleghan	
D466,770 S		12/2002	Kelleghan	
D467,480 S		12/2002	Kelleghan	

OTHER PUBLICATIONS

The Ultimate Corkscrew Book by Donald A. Bull; Schiffer Publishing Ltd.; ISBN: 0-7643-0701-0; ©1999; p. 164 Hammer bottle opener top right.*

Web page—Bison Designs, entitled <http://www.bison-designs.com/aluminum/openers/standard.htm> depicting standard key chain bottle openers—web page dated Oct. 28, 2002.

Web page—Bison Designs, entitled <http://www.bison-designs.com/aluminum/openers/doublewide.htm> depicting double wide key chain bottle openers—web page dated Oct. 28, 2002.

* cited by examiner

Primary Examiner—Caron D. Veynar

(74) *Attorney, Agent, or Firm*—Margaret Polson; Patent Law Offices of Rick Martin, P.C.

(57) **CLAIM**

The ornamental design for a hammer shaped bottle opener, as shown.

DESCRIPTION

FIG. 1 is a top or bottom plan view, which are mirror images, of my new design for a hammer shaped bottle opener. FIG. 2 is a right side elevation view of FIG. 1. FIG. 3 is a left side elevation view of FIG. 1. FIG. 4 is a back side elevation view of FIG. 1. FIG. 5 is a front side elevation view of FIG. 1; and, FIG. 6 is a top perspective view of FIG. 1.

1 Claim, 1 Drawing Sheet

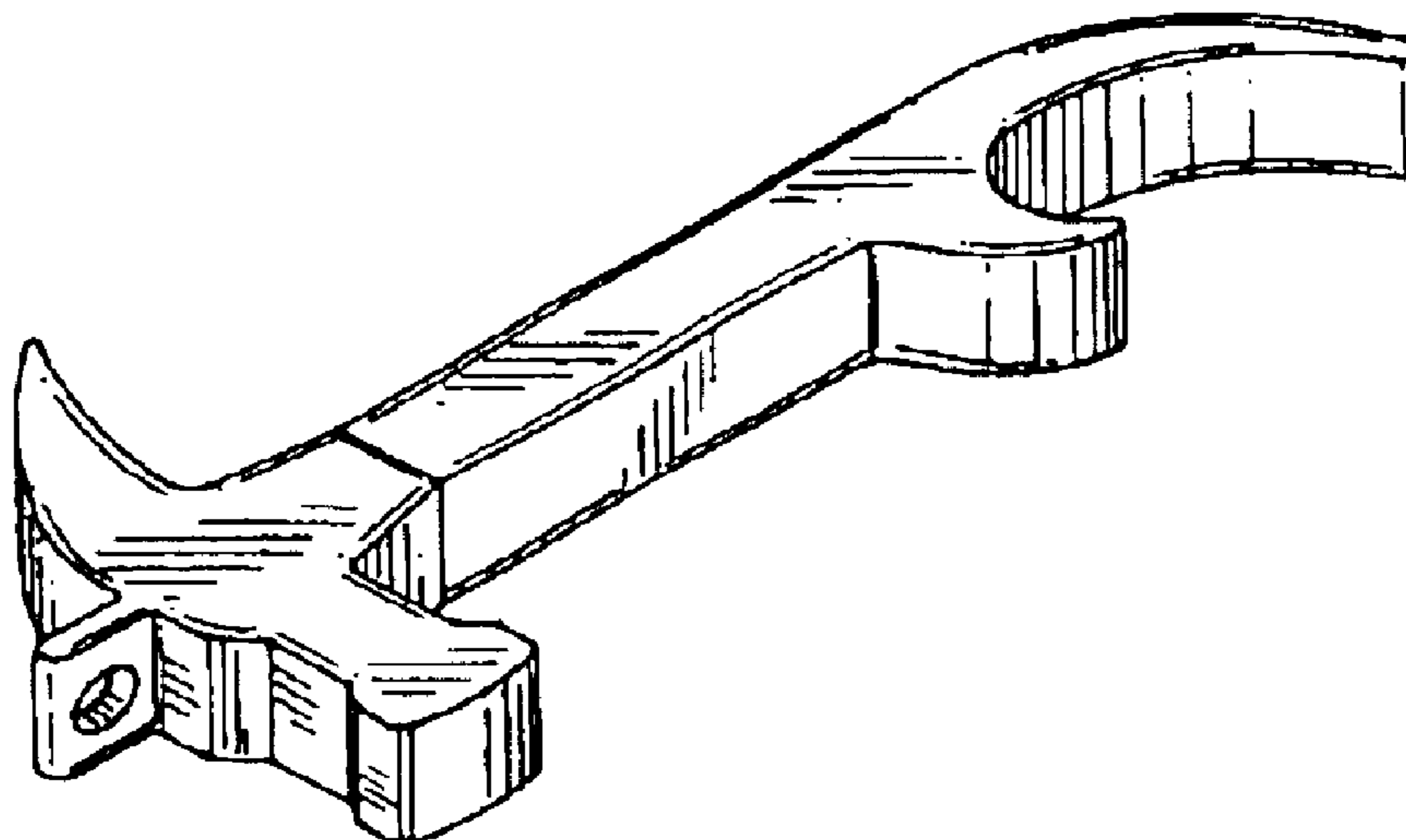




FIG. 4

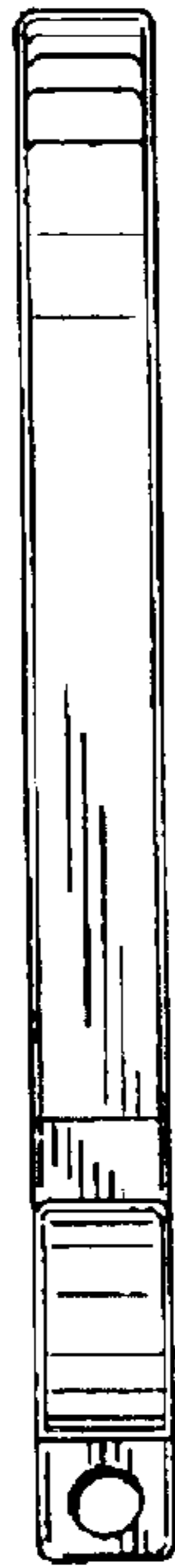


FIG. 2

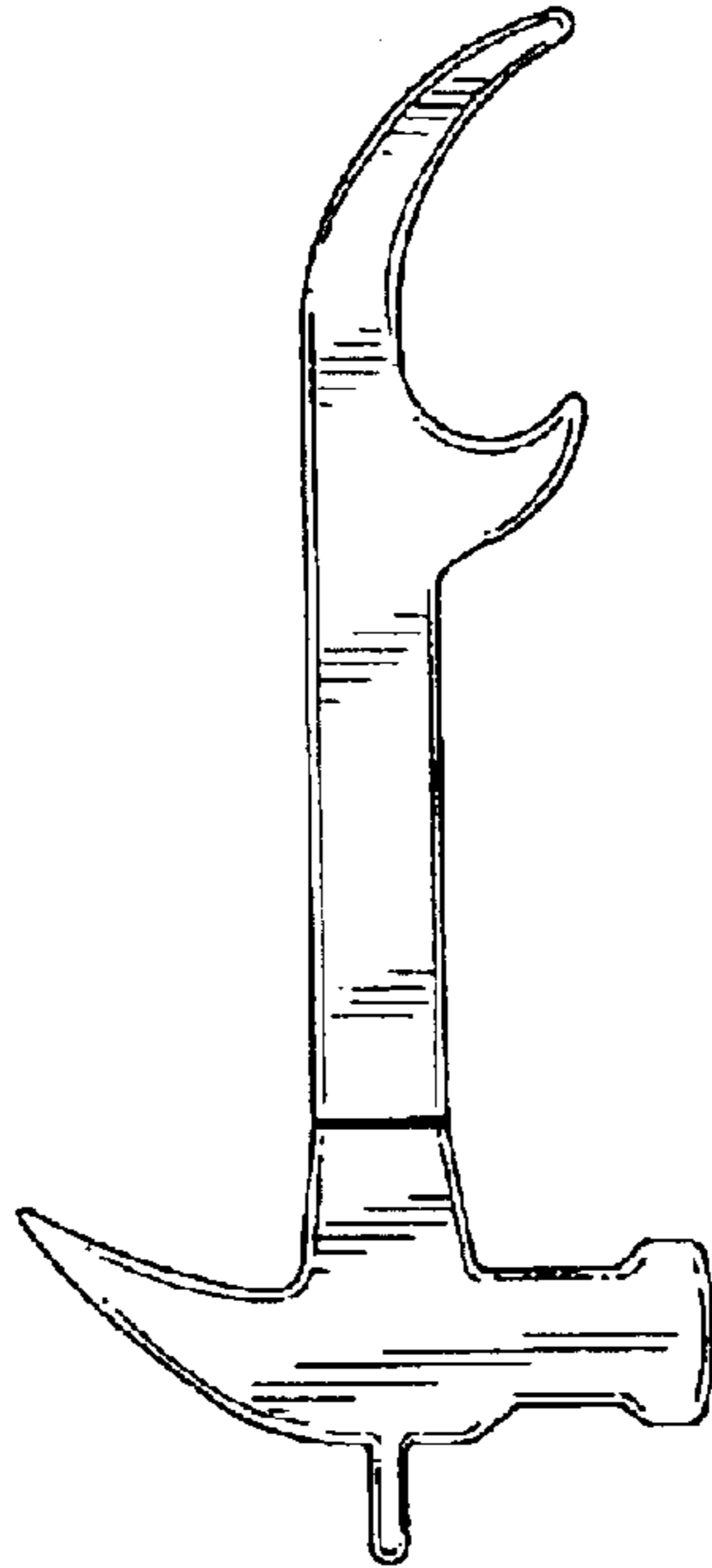


FIG. 1



FIG. 3



FIG. 5

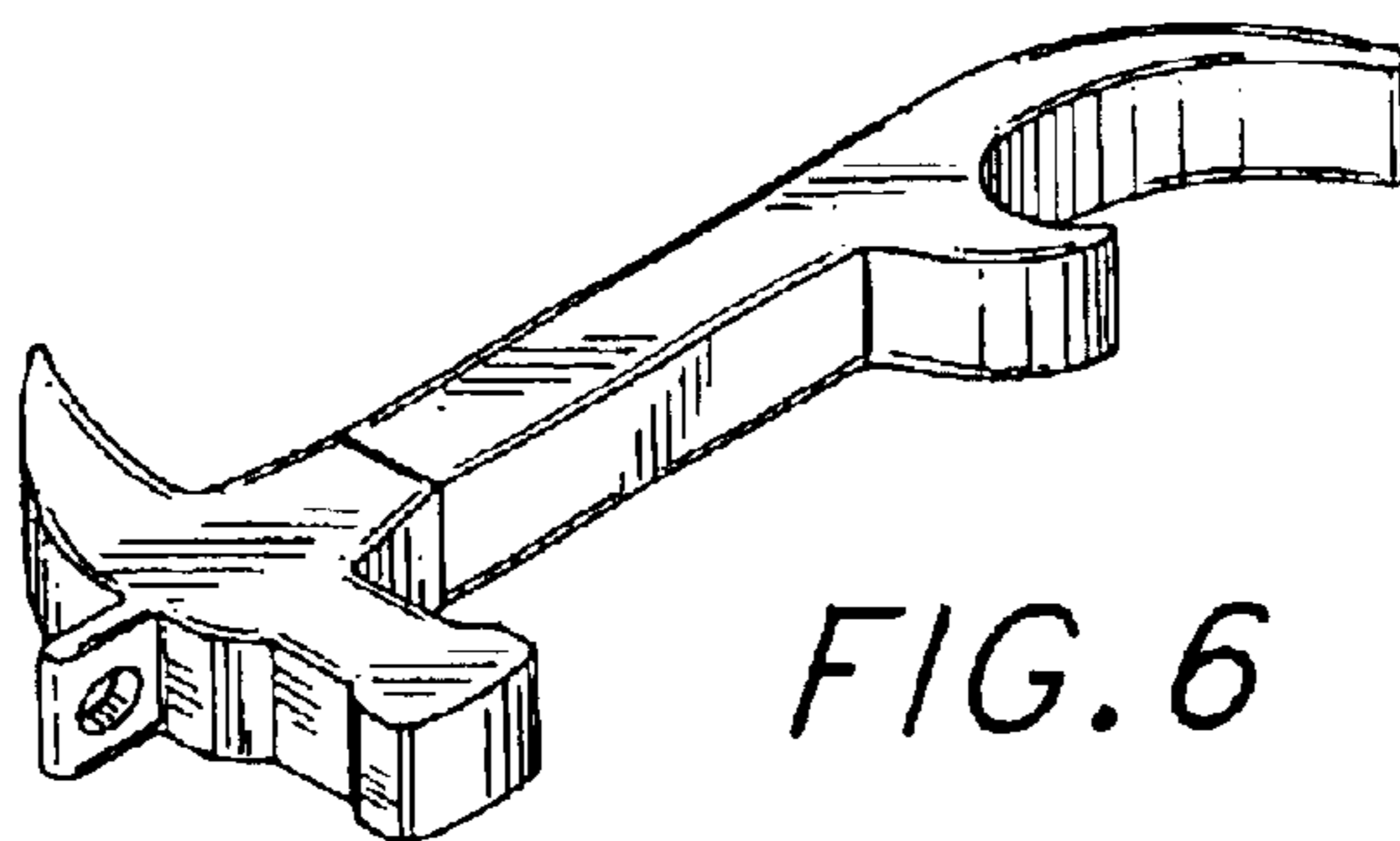


FIG. 6