

US00D497082S1

(12) **United States Design Patent** (10) **Patent No.:** **US D497,082 S**
Lowe (45) **Date of Patent:** **** Oct. 12, 2004**

- (54) **BEVERAGE CAN COOLER** D398,193 S 9/1998 Sanchez
- (76) Inventor: **Graham C. Lowe**, 2559 Caroline Ave., Bexley, OH (US) 43209 D402,503 S 12/1998 Sanchez
- (**) Term: **14 Years** D405,650 S 2/1999 Meier
- (21) Appl. No.: **29/194,075** D407,673 S 4/1999 Kiser
- (22) Filed: **Nov. 19, 2003** D420,946 S * 2/2000 Ratliff, Jr. D12/548
- D422,833 S * 4/2000 Cruz et al. D7/330
- D427,953 S * 7/2000 Murata D12/552
- D439,115 S 3/2001 Bidwell
- 6,206,223 B1 3/2001 Wicker
- D445,778 S 7/2001 Eiler

* cited by examiner

Related U.S. Application Data

- (62) Division of application No. 29/174,100, filed on Jan. 10, 2003.
- (51) **LOC (7) Cl.** **07-01**
- (52) **U.S. Cl.** **D7/606; D7/625; D12/564**
- (58) **Field of Search** D7/605-608, 619-625; D12/500, 564; 62/457.1-457.7; 215/392-396; 220/737, 739, 902, 903

Primary Examiner—Terry A. Wallace

(74) *Attorney, Agent, or Firm*—Jason H. Foster; Kremblas, Foster, Phillips & Pollick

(57) **CLAIM**

The ornamental design for a beverage can cooler, as shown and described.

DESCRIPTION

FIG. 1 is a perspective view of a beverage can cooler showing my new design; FIG. 2 is a top plan view thereof; FIG. 3 is a bottom plan view thereof; and, FIG. 4 is a side view thereof, the other sides are substantially identical.

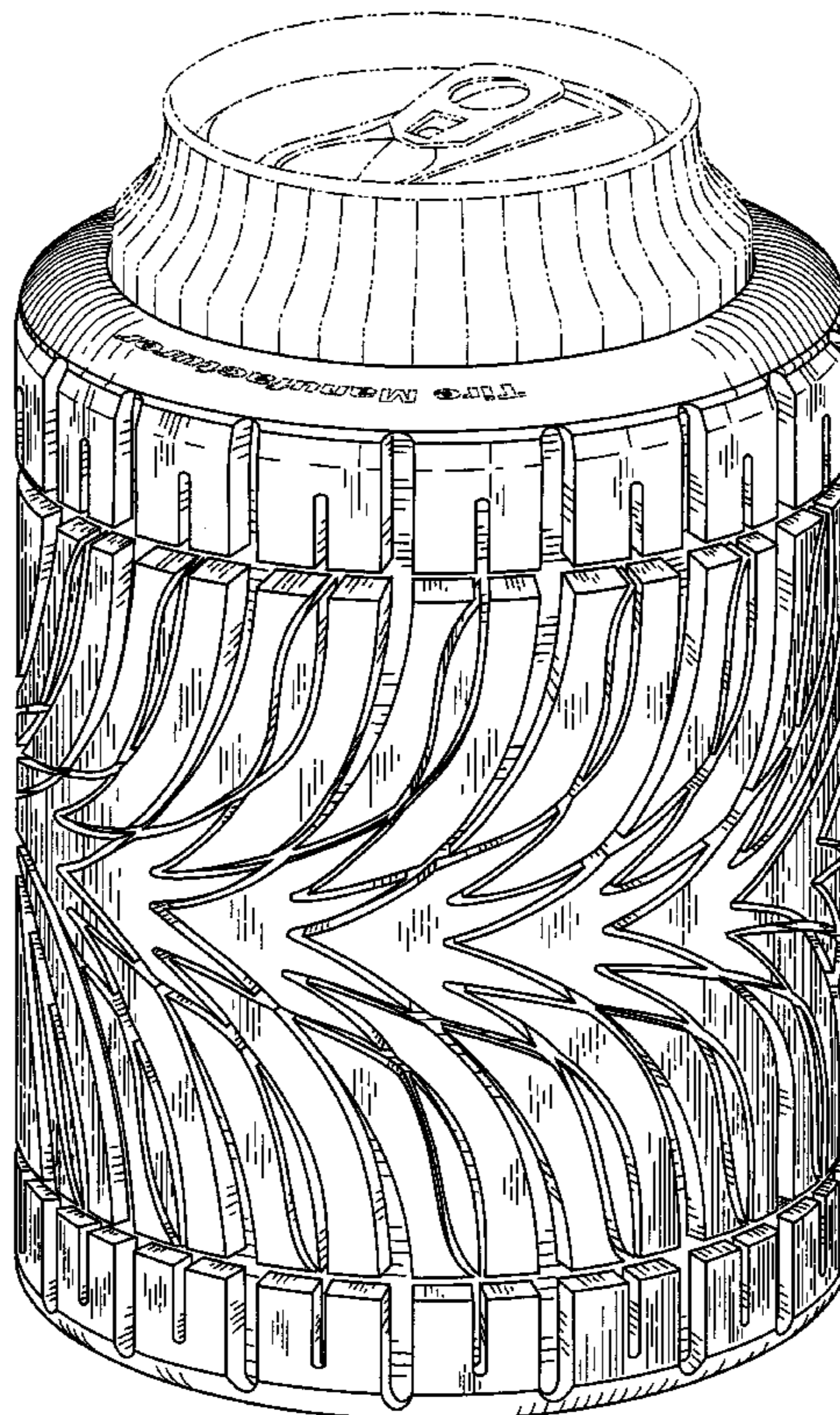
The broken lines are for illustrative purposes only and form no part of the claimed design.

(56) **References Cited**

U.S. PATENT DOCUMENTS

- D183,288 S 7/1958 Nappe
- D334,324 S 3/1993 Pierce
- D340,103 S 10/1993 Nolan
- D347,971 S 6/1994 Krugman
- D357,386 S 4/1995 Jones
- D394,517 S 5/1998 Gebhard, Sr.
- D395,200 S 6/1998 Bidwell

1 Claim, 3 Drawing Sheets



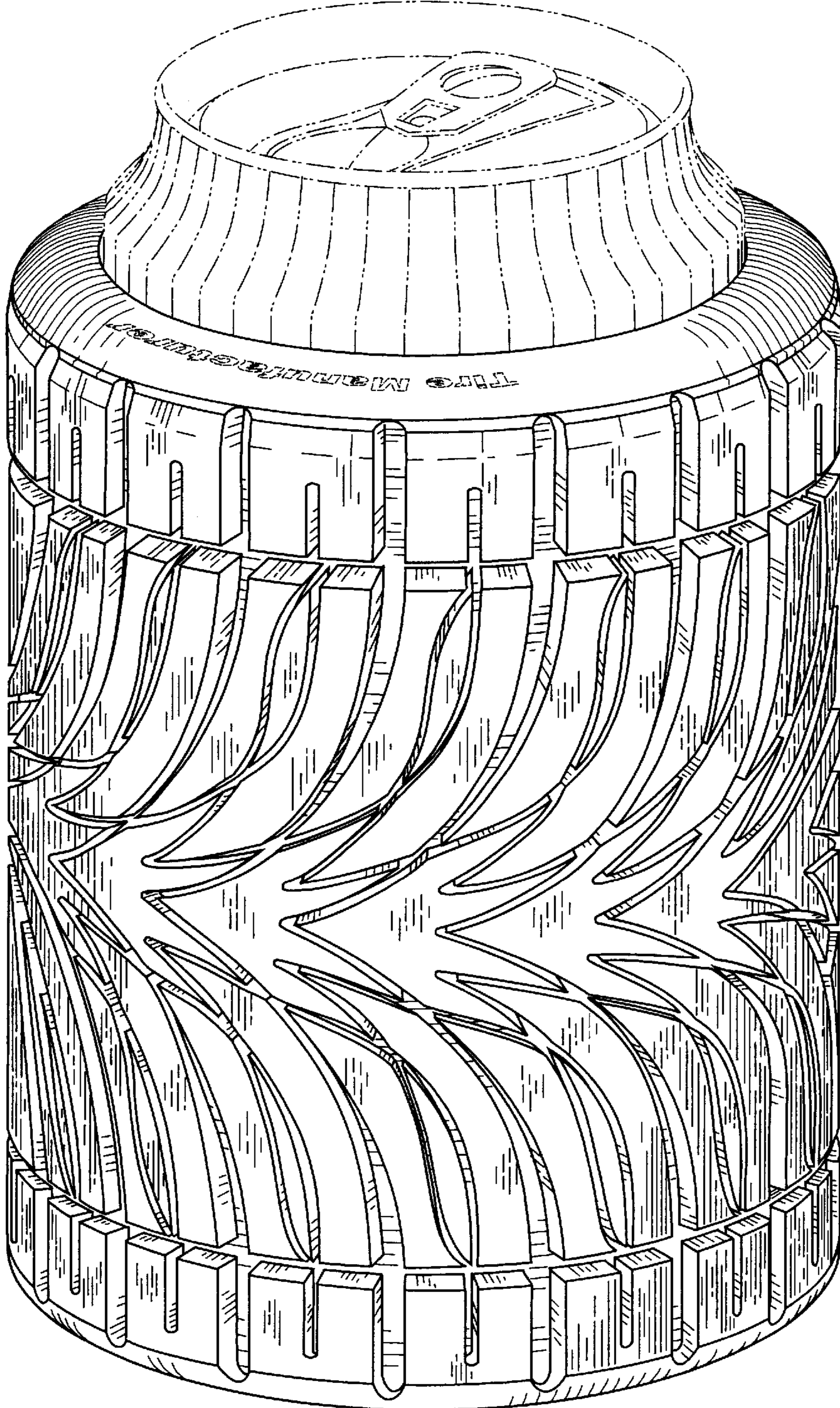


FIG. 1

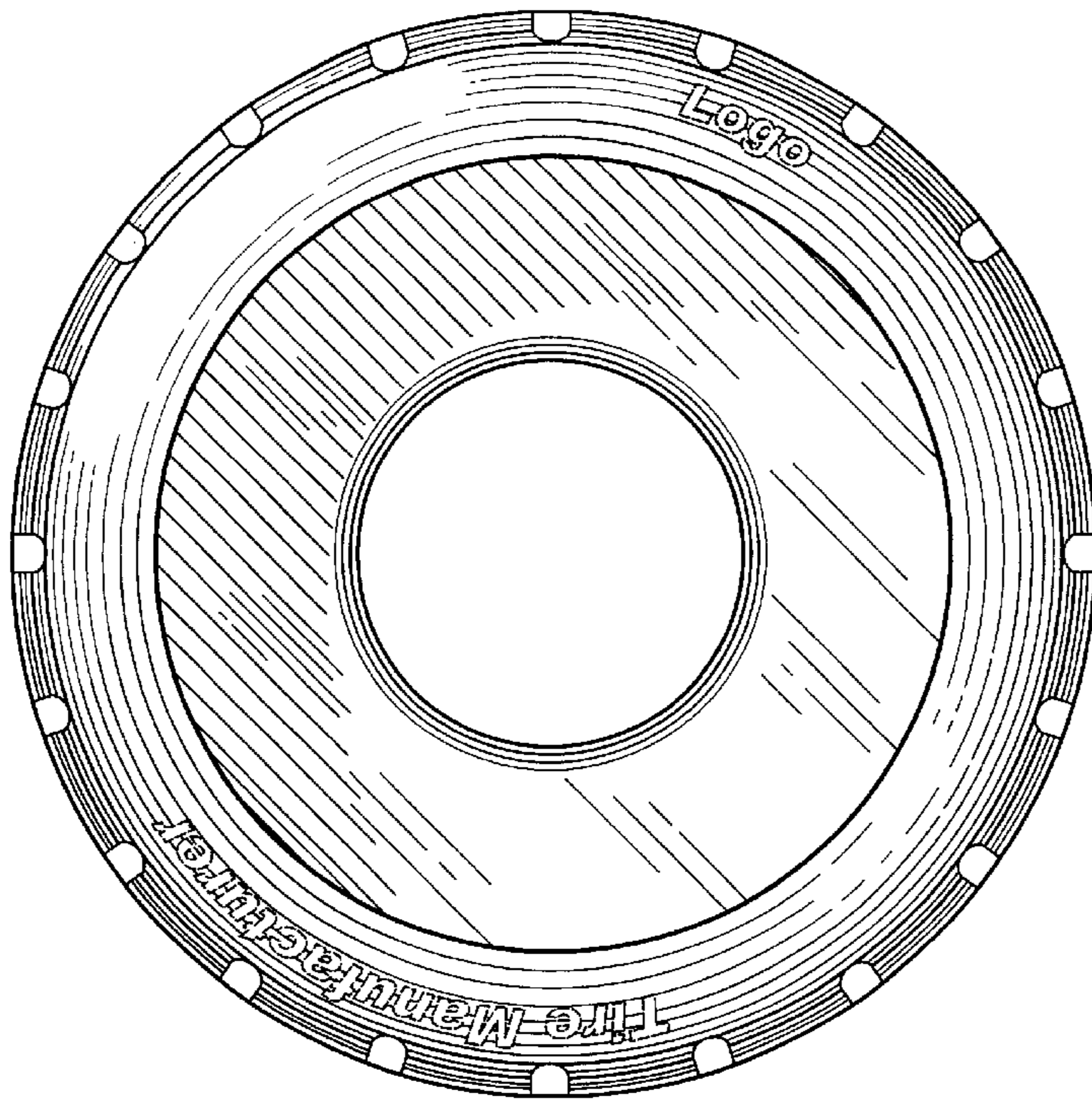


FIG. 2

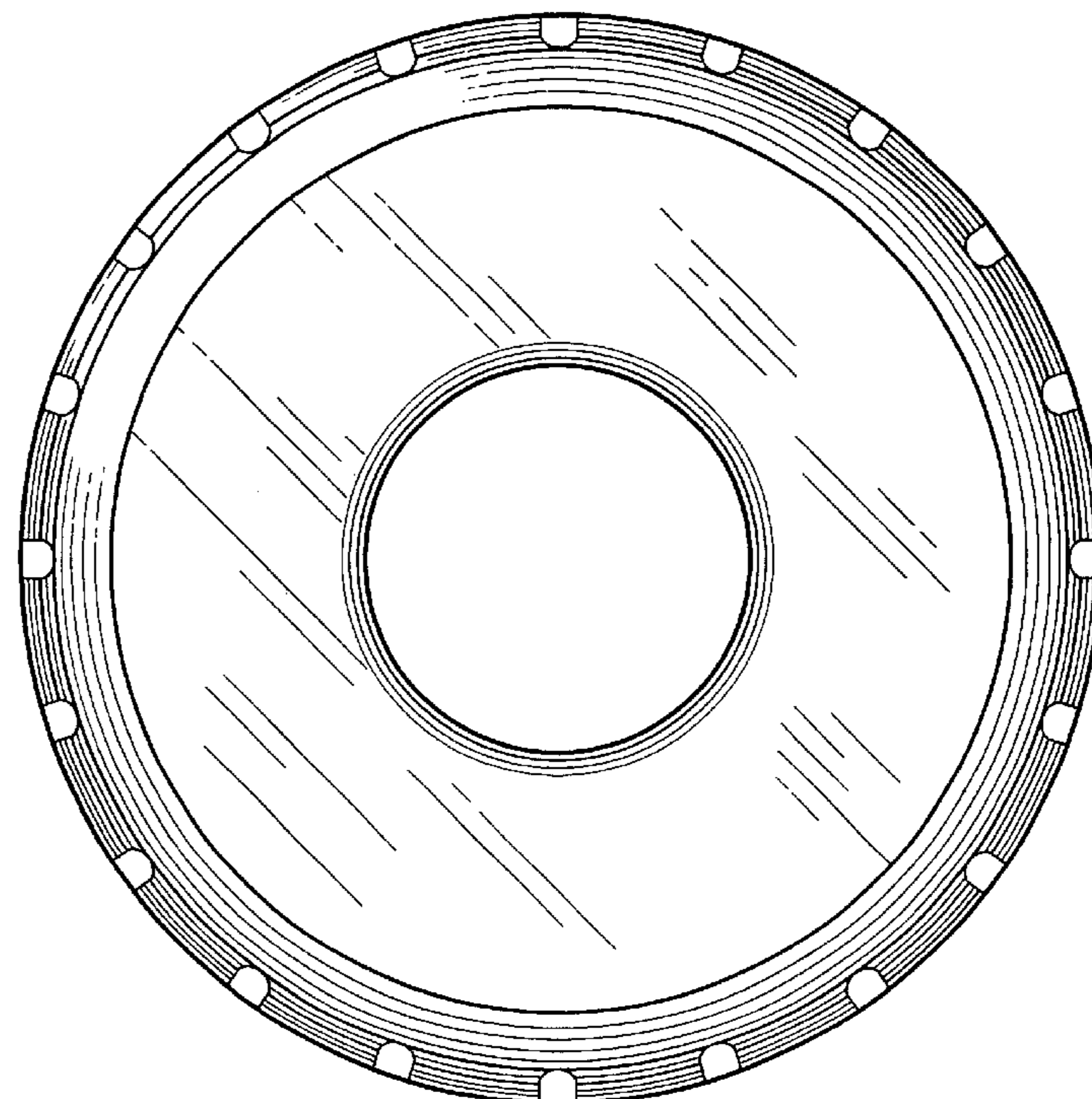


FIG. 3

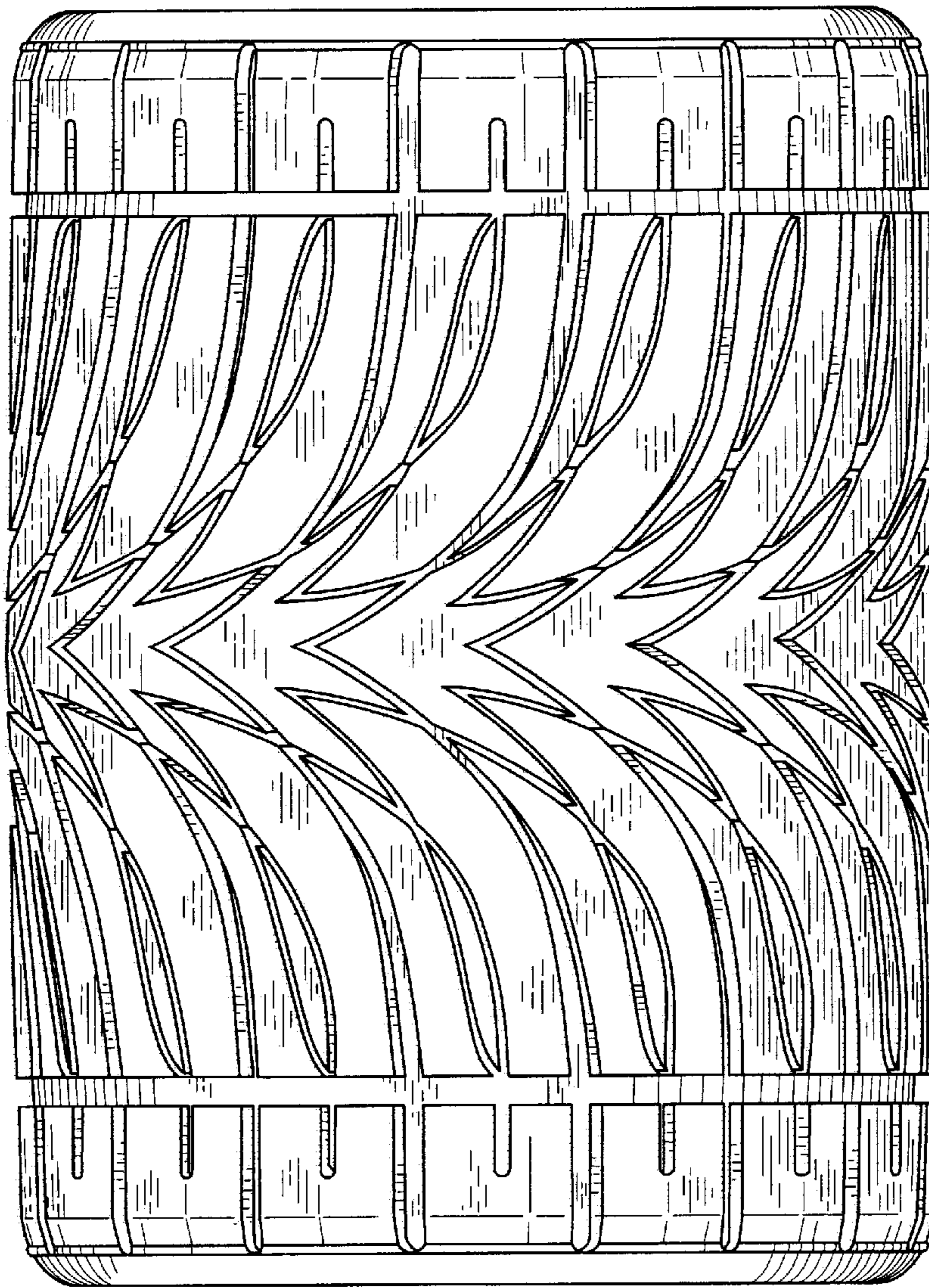


FIG. 4