

US00D497080S1

(12) **United States Design Patent**
Greenspon

(10) **Patent No.:** **US D497,080 S**
(45) **Date of Patent:** **** Oct. 12, 2004**

- (54) **COFFEE MUG WITH STIRRING APPARATUS**
- (76) Inventor: **David M. Greenspon**, 13175 Woodlands Pkwy., Clive, IA (US) 50325
- (**) Term: **14 Years**
- (21) Appl. No.: **29/197,519**
- (22) Filed: **Jan. 15, 2004**
- (51) **LOC (7) Cl.** **07-01**
- (52) **U.S. Cl.** **D7/510; D7/511; D7/536**
- (58) **Field of Search** 428/344; D7/386, D7/385, 383, 384, 378, 377, 376, 381, 523, 536, 533, 507, 532, 608, 625; 248/346.1, 205.5; 220/735, 714, 710.5, 719, 713, 212.5, 592.17; 224/483; 215/376, 398; 206/519, 520

- D466,362 S * 12/2002 Moore D7/378
- D473,099 S * 4/2003 Yamamoto et al. D7/378
- D476,528 S * 7/2003 Janky et al. D7/536
- D483,997 S * 12/2003 Copeland D7/536
- D486,697 S * 2/2004 Copeland D7/536
- D488,029 S 4/2004 Bodum D7/536
- D489,571 S 5/2004 Lee D7/507

* cited by examiner

Primary Examiner—M. N. Pandozzi
(74) *Attorney, Agent, or Firm*—G. Brian Pingel; Camille L. Urban

(57) **CLAIM**

The ornamental design for a coffee mug with stirring apparatus, as shown and described.

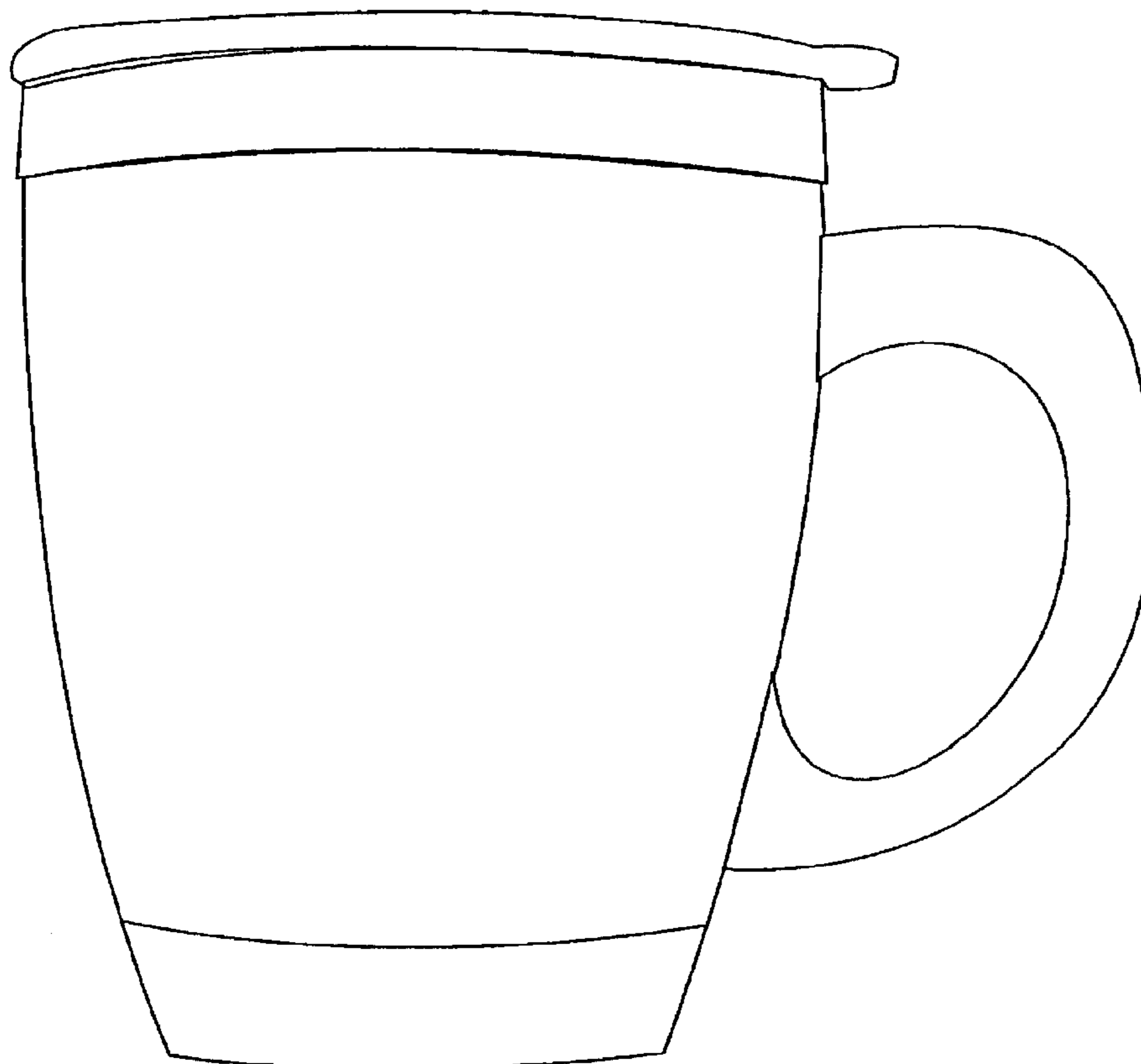
DESCRIPTION

FIG. 1 is a side view in elevation of a coffee mug with stirring apparatus showing my new design, with the opposite side being a mirror image of the side shown, and includes a cup portion and a lid portion;
FIG. 2 is a plan view thereof;
FIG. 3 is a bottom view thereof;
FIG. 4 is a plan view thereof with the lid removed; and,
FIG. 5 is a side view similar to that of FIG. 1 but with a sidewall portion cut away to show interior construction.

(56) **References Cited**
U.S. PATENT DOCUMENTS

- D418,013 S * 12/1999 Fujii D7/510
- 6,138,862 A * 10/2000 Tai 220/592.17
- D462,579 S * 9/2002 Janky D7/536
- D462,875 S * 9/2002 Norris et al. D7/533
- D462,876 S * 9/2002 Janky et al. D7/536
- D465,132 S * 11/2002 Janky et al. D7/510

1 Claim, 5 Drawing Sheets



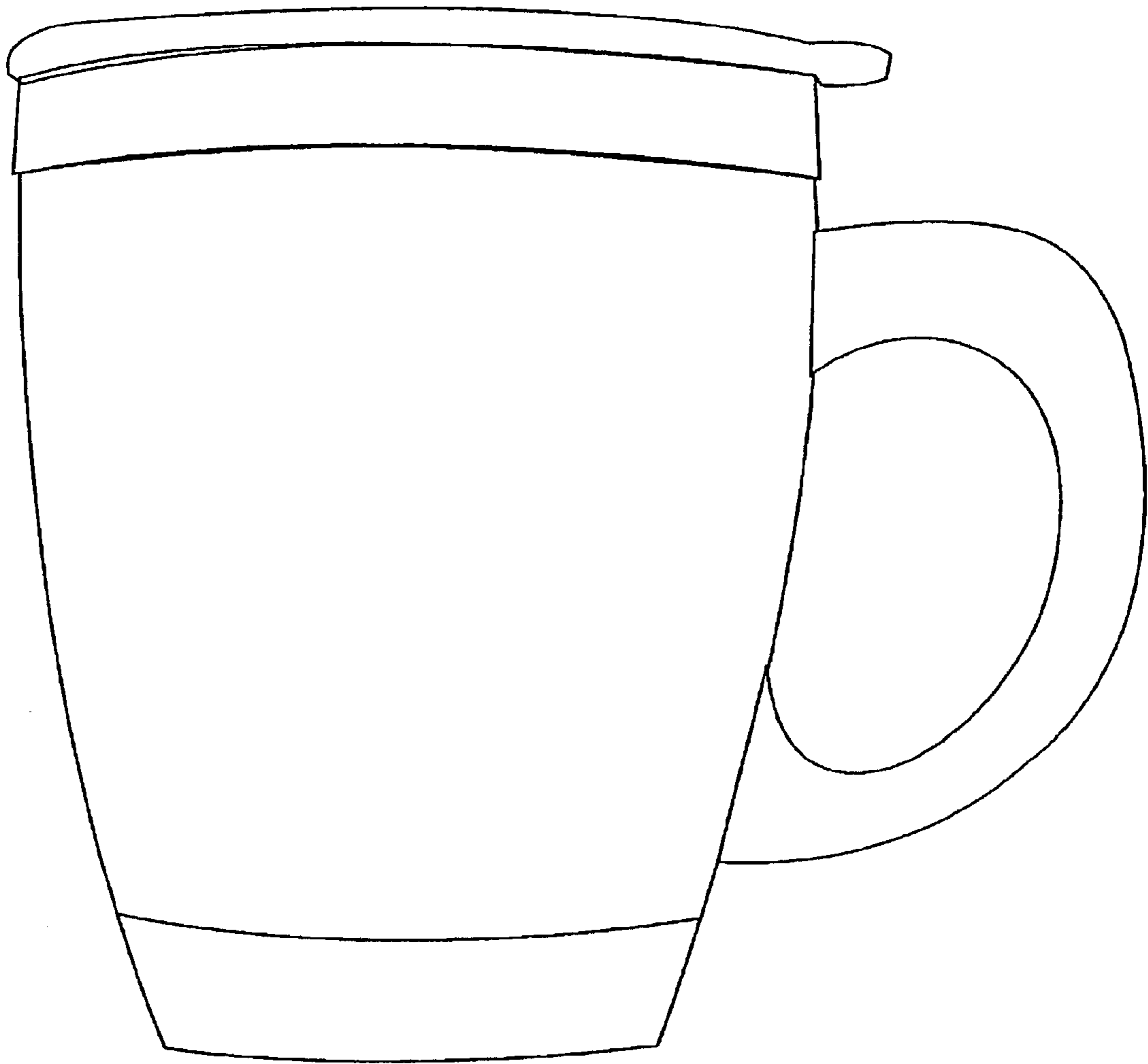


FIG. 1

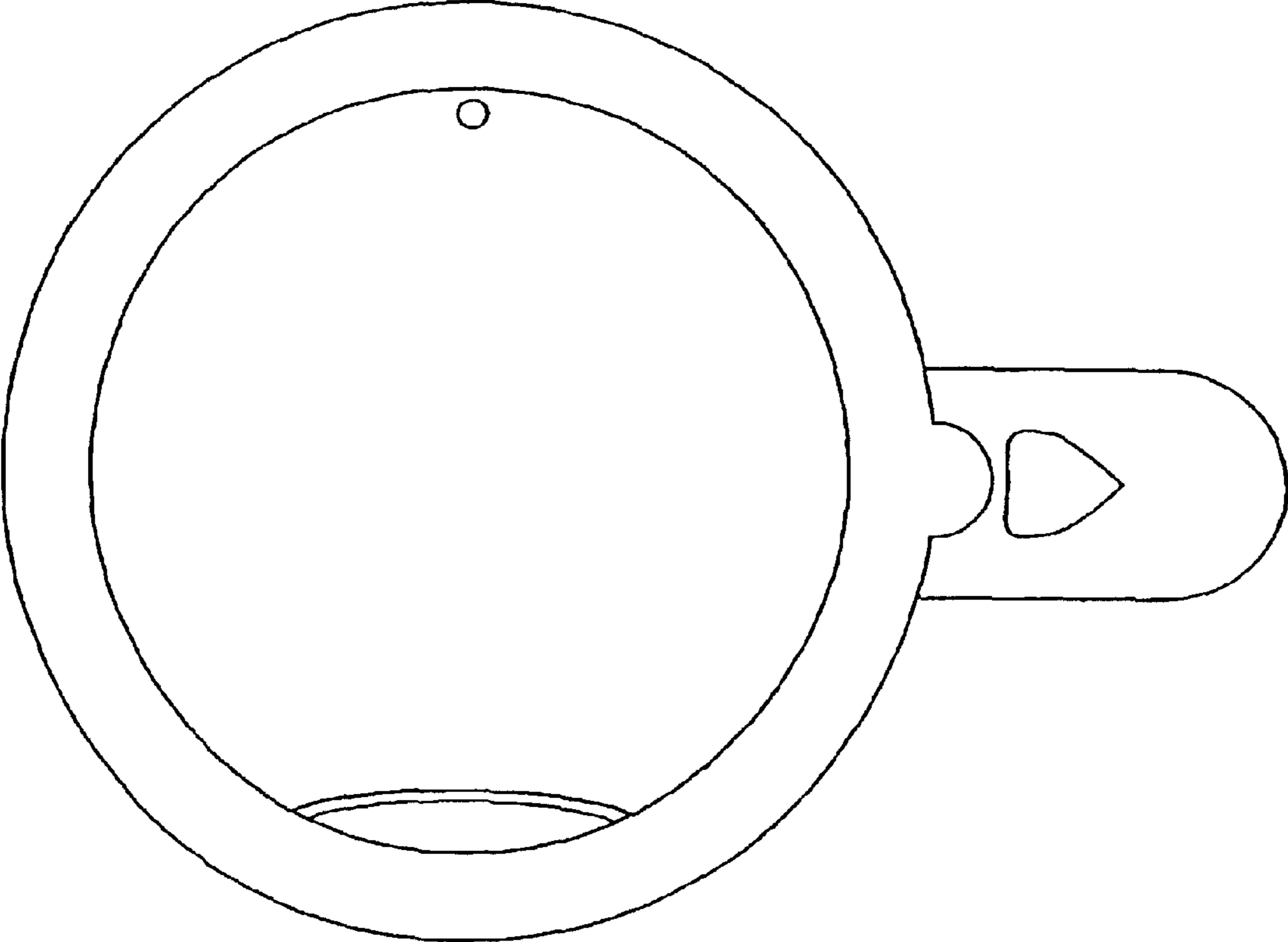


FIG. 2

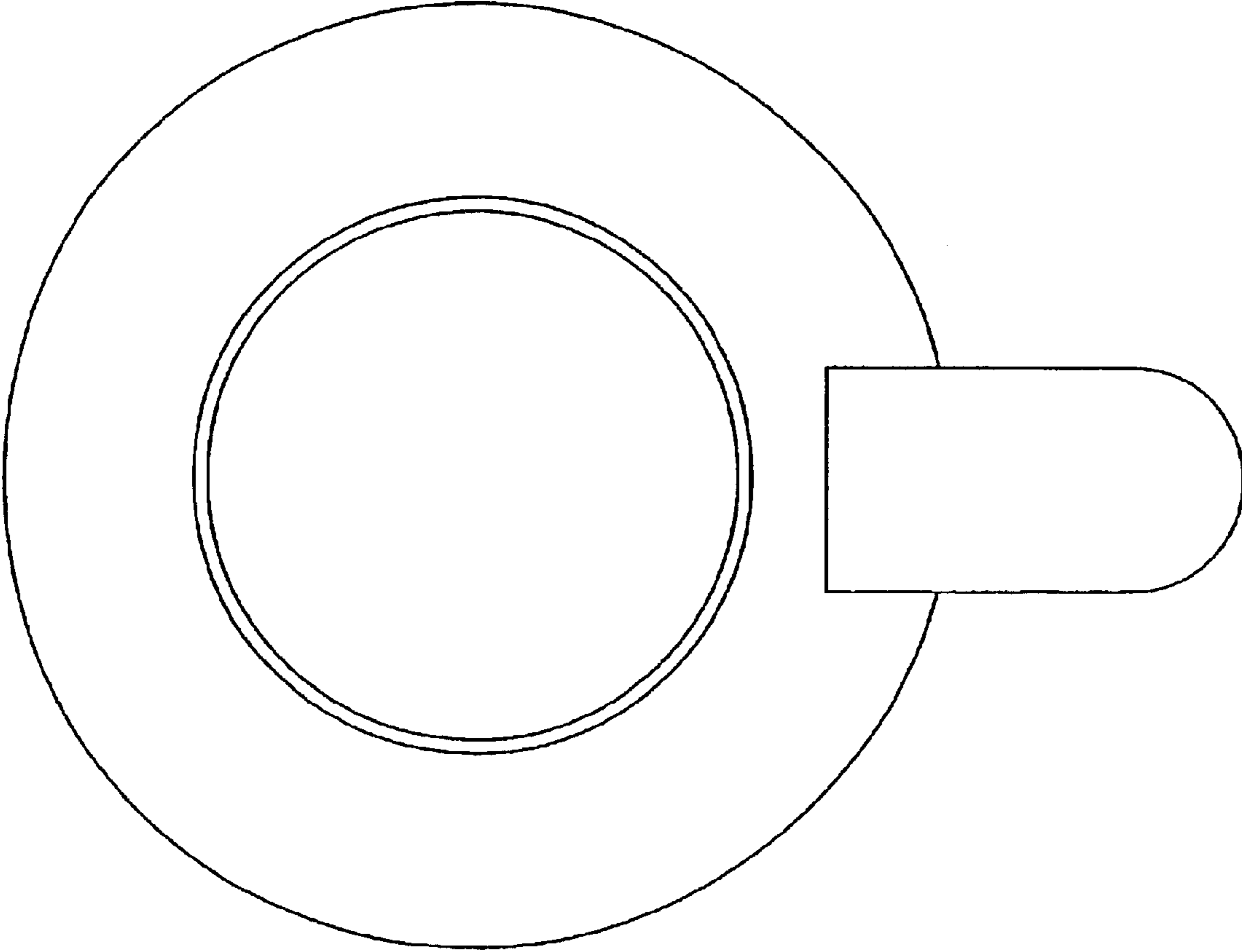


FIG. 3

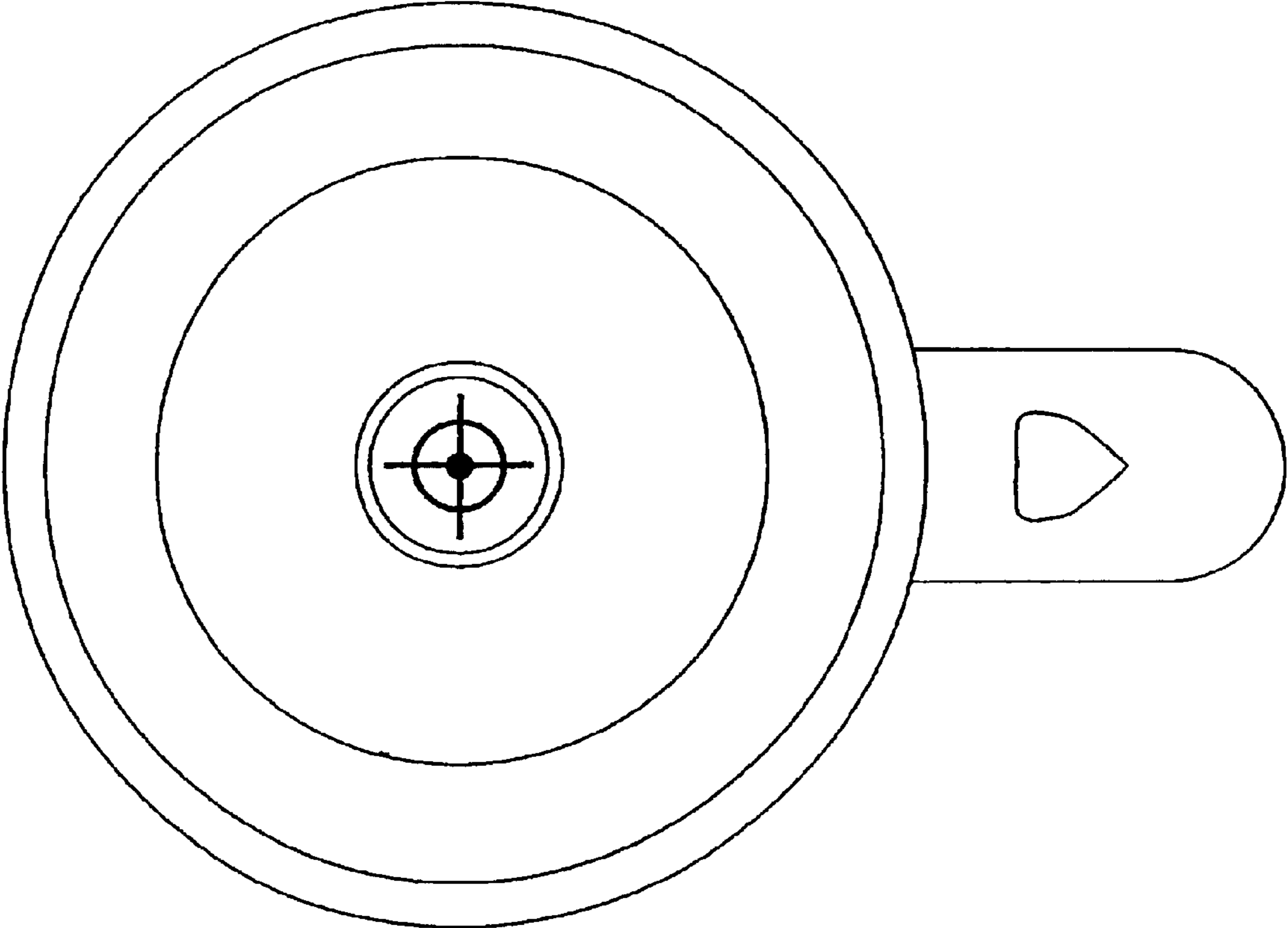


FIG. 4

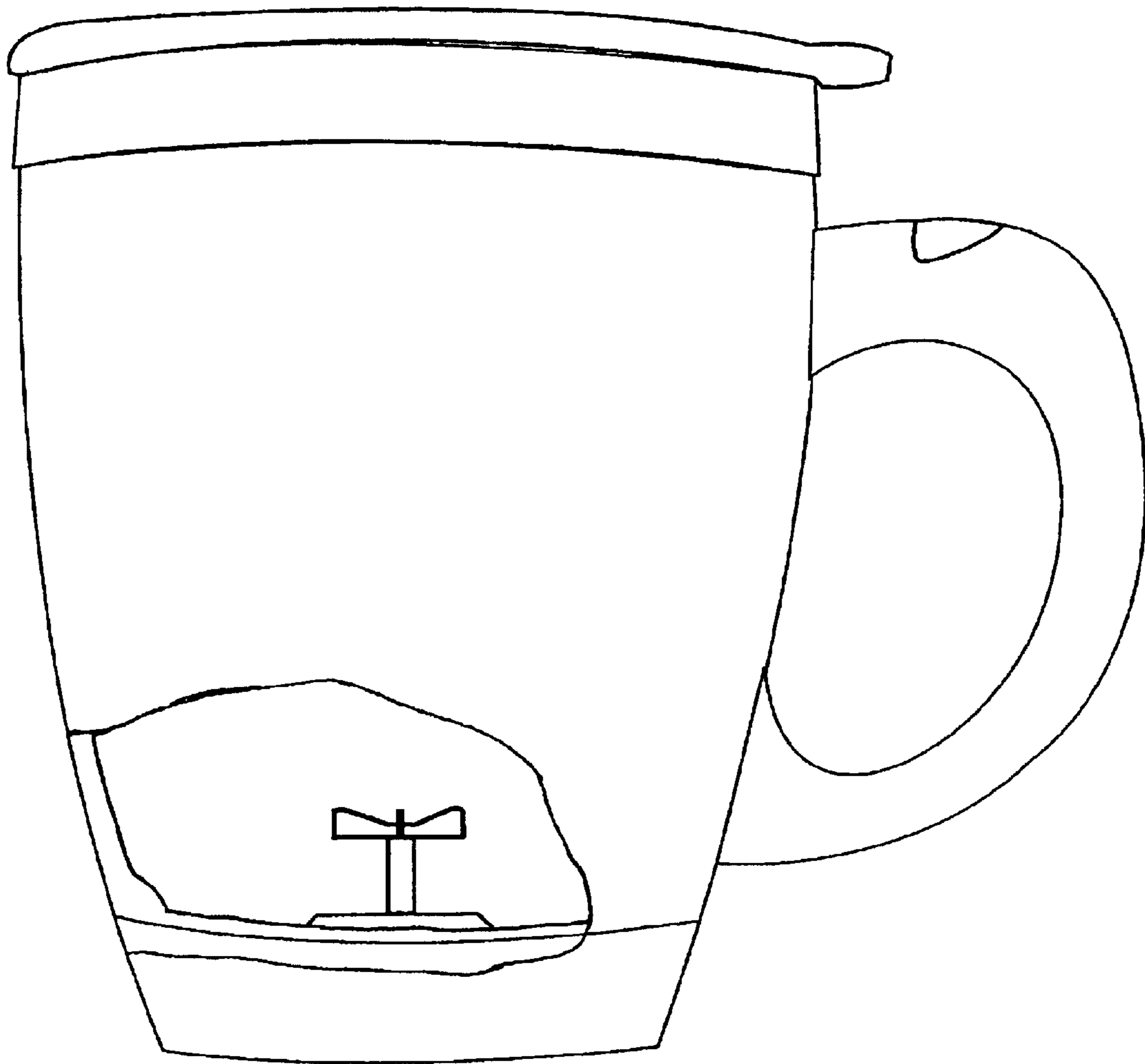


FIG. 5