

US00D497078S1

(12) **United States Design Patent**
Ethridge

(10) **Patent No.:** **US D497,078 S**

(45) **Date of Patent:** **** Oct. 12, 2004**

(54) **BARBEQUE GRILL WITH 8-BALL MOTIF**

(76) **Inventor:** **James Richard Ethridge**, P.O. Box
517, Lake Forest, CA (US) 92609

(**) **Term:** **14 Years**

(21) **Appl. No.:** **29/187,293**

(22) **Filed:** **Jul. 29, 2003**

(51) **LOC (7) Cl.** **07-02**

(52) **U.S. Cl.** **D7/402; D7/332**

(58) **Field of Search** D7/332-337, 402-405,
D7/393, 346-347, 339-340, 387; 126/25 R,
41 R, 37 R, 40; D21/548-549, 707, 713-714;
99/450, 419, 422; D8/300, 303, 306-307,
310-312, 315-317, 319-320; 74/543; 16/436,
417, 421, 419, 444, 315, 110.1; D25/163;
473/52

(56) **References Cited**

U.S. PATENT DOCUMENTS

979,397 A	*	12/1910	Burt	473/52
D430,990 S	*	9/2000	Cragg	D7/402
D431,155 S	*	9/2000	Cragg	D7/402
D432,862 S	*	10/2000	Cragg	D7/402
D439,793 S	*	4/2001	Mak	D7/332

D440,461 S	*	4/2001	Mak	D7/332
D443,793 S	*	6/2001	Ethridge	D7/332
D465,124 S	*	11/2002	Favela	D7/334
D465,379 S	*	11/2002	Favela	D7/332
D465,695 S	*	11/2002	Favela	D7/334
D466,360 S	*	12/2002	Favela	D7/334

* cited by examiner

Primary Examiner—Ruth McInroy

(74) *Attorney, Agent, or Firm*—The Maxham Firm

(57) **CLAIM**

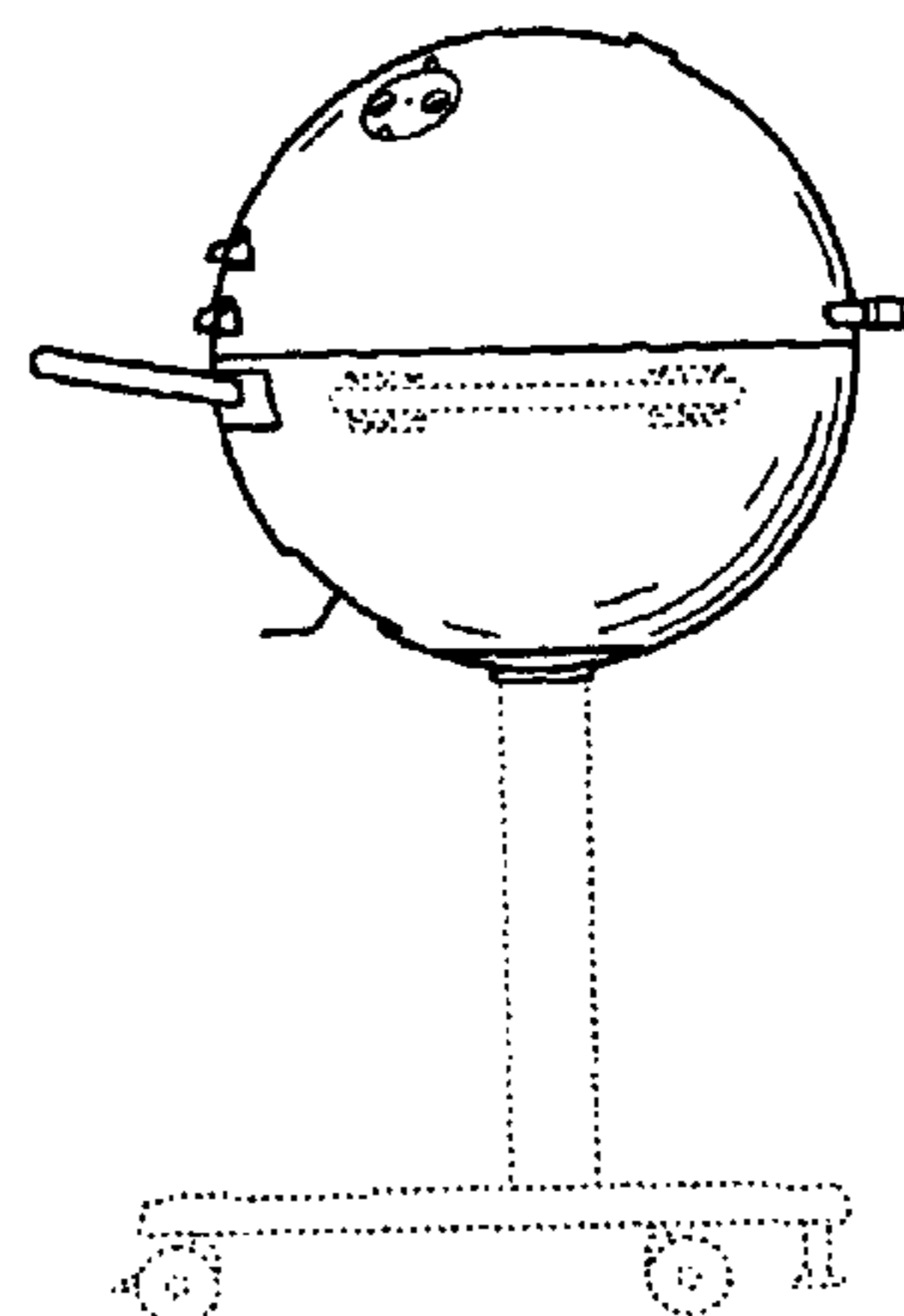
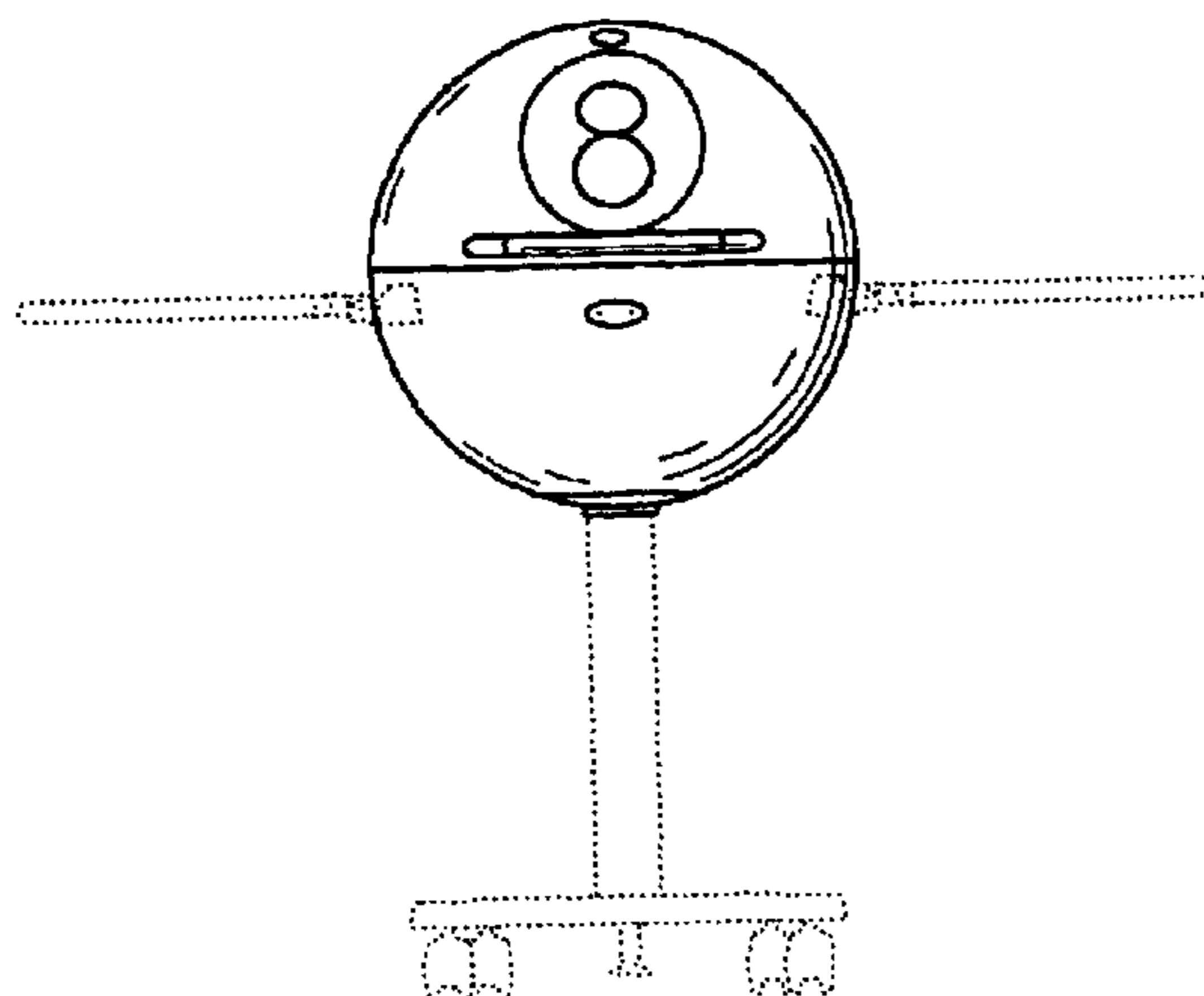
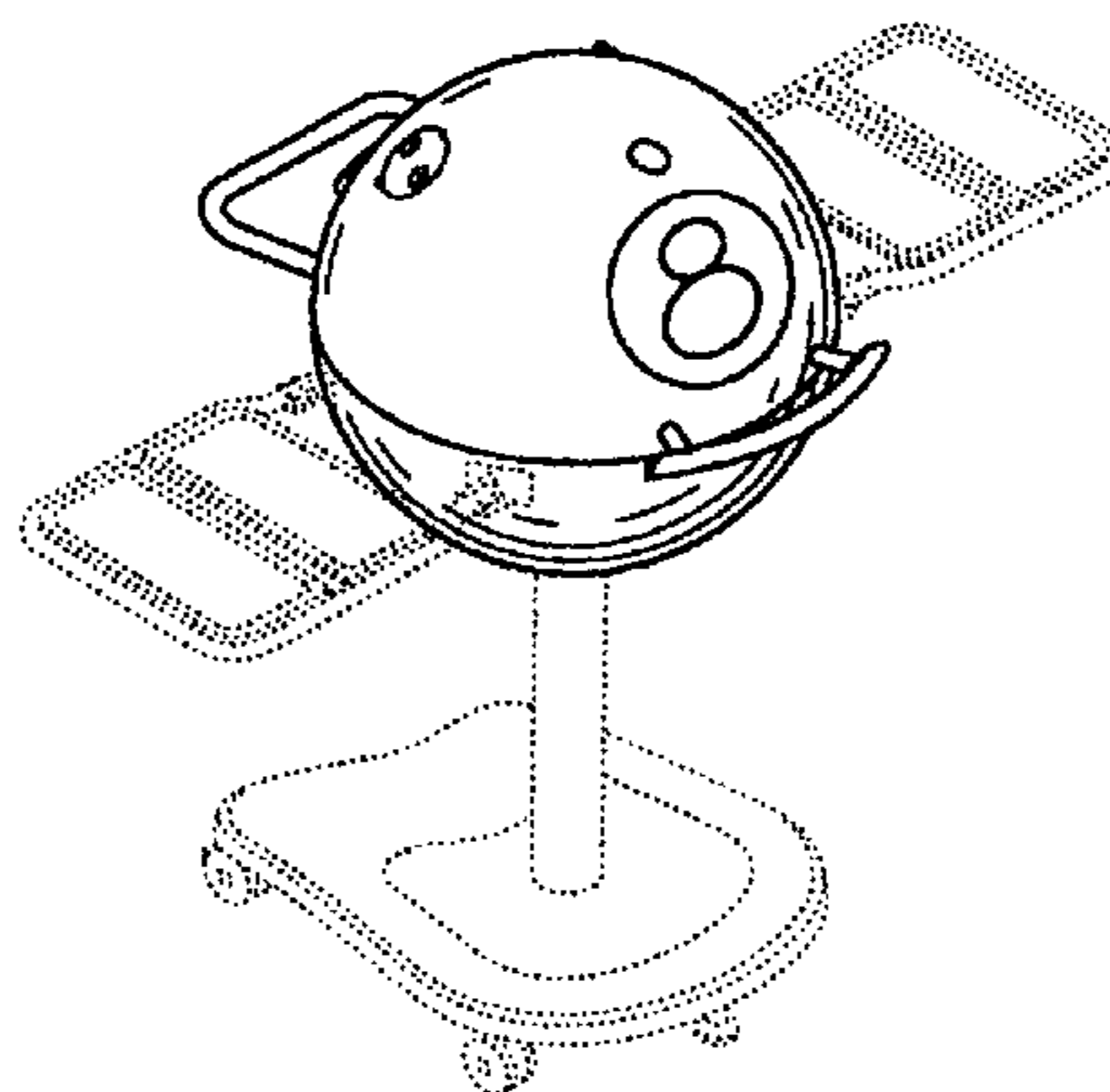
The ornamental design for a barbecue grill with 8-ball motif, as shown and described.

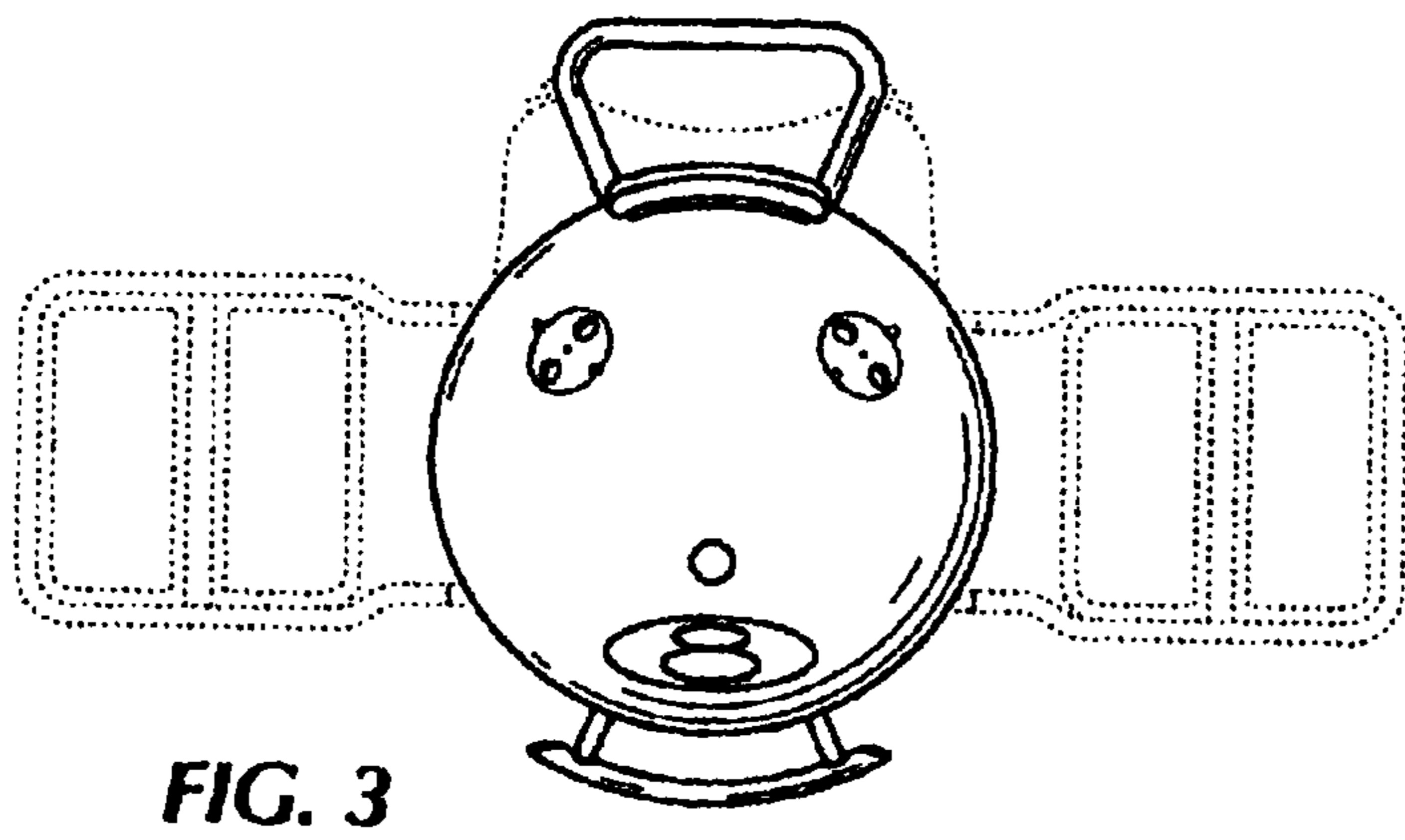
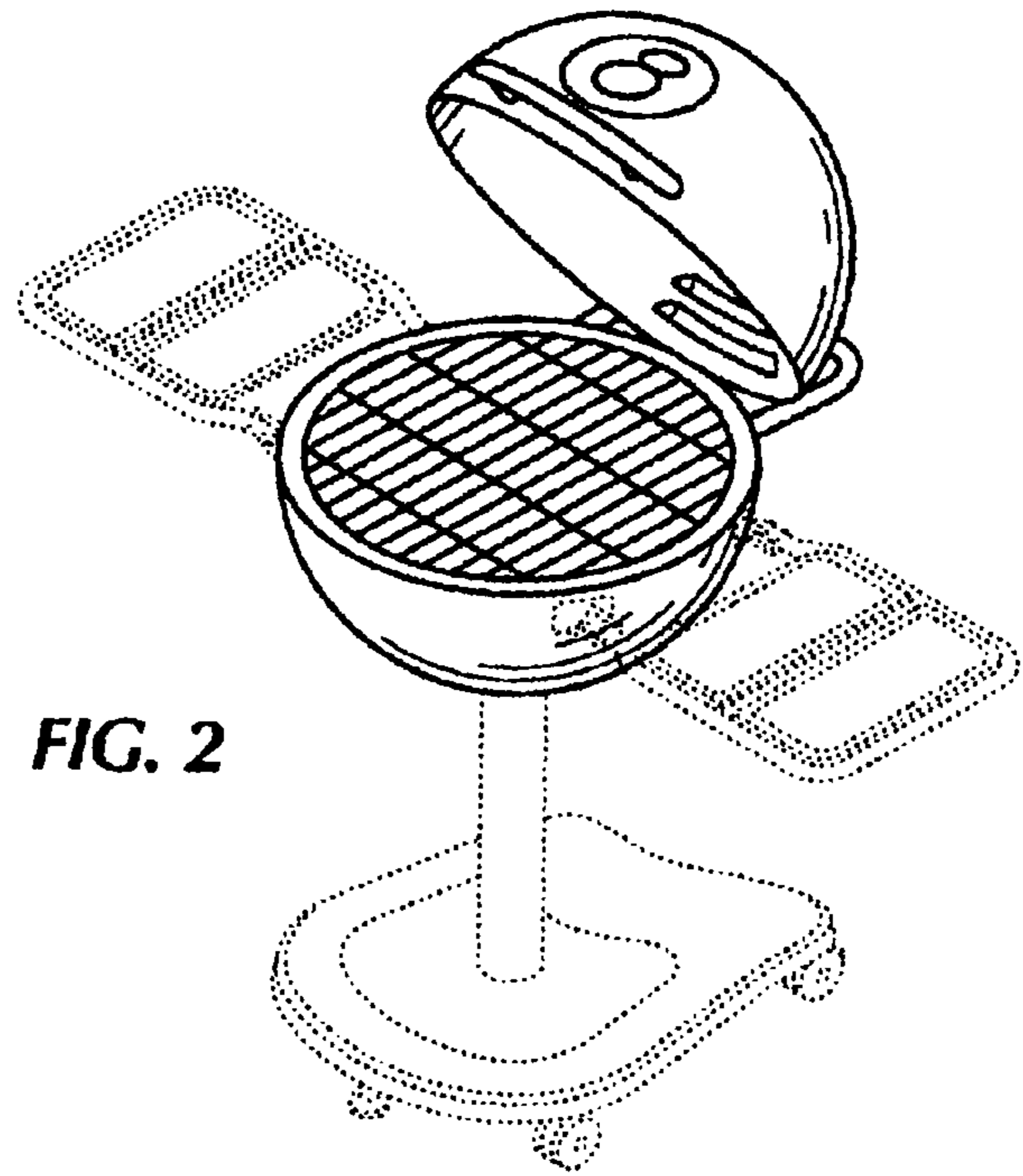
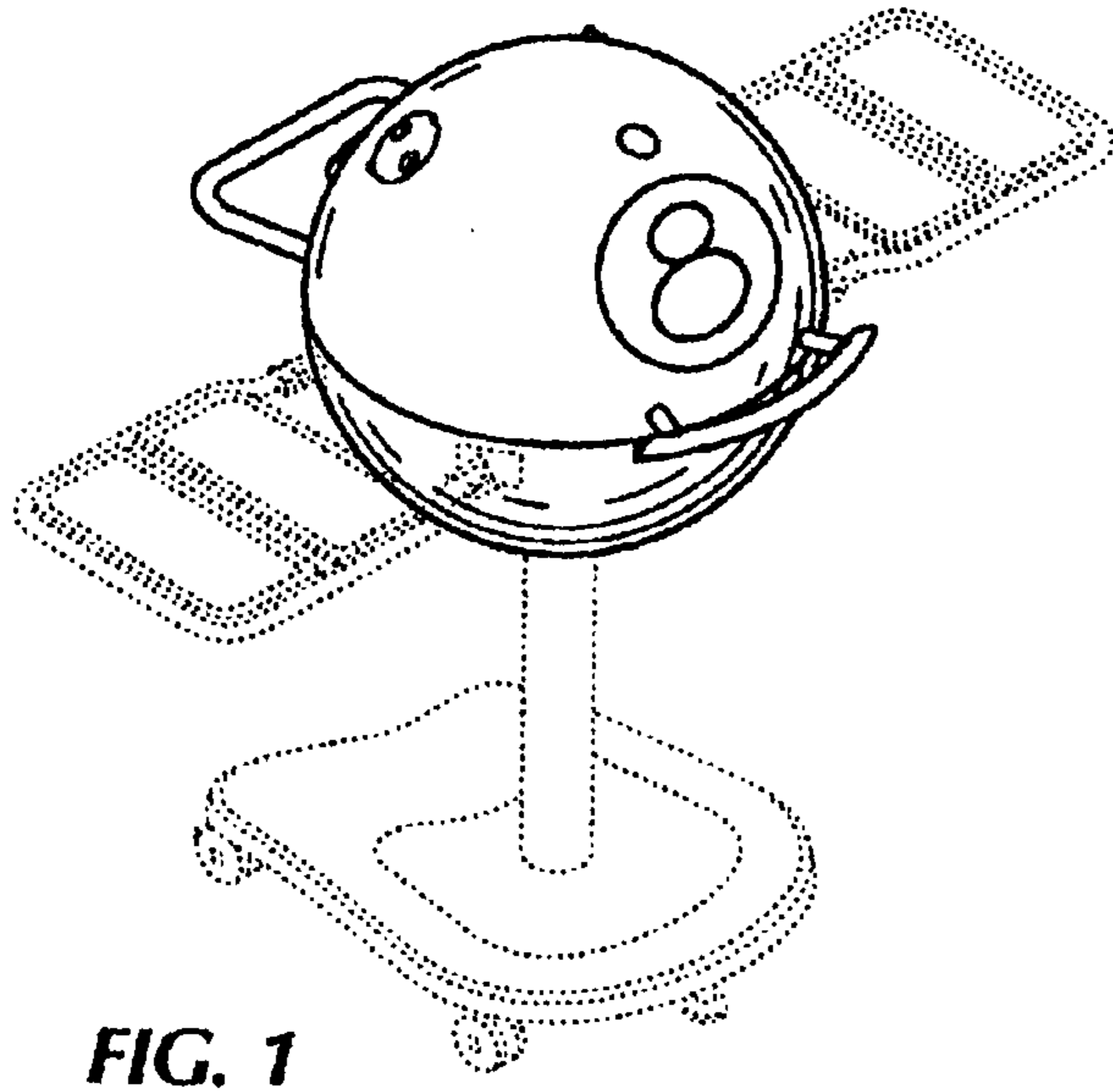
DESCRIPTION

FIG. 1 is a perspective view of a barbecue grill with 8-ball motif showing my new design;
FIG. 2 is a perspective view thereof with the cover raised;
FIG. 3 is a top view thereof;
FIG. 4 is a front-end view thereof;
FIG. 5 is a right side view thereof; and,
FIG. 6 is a left side view thereof.

The portions shown in broken lines in FIGS. 1-6 are for illustrative purposes only and form no part of the claimed design.

1 Claim, 2 Drawing Sheets





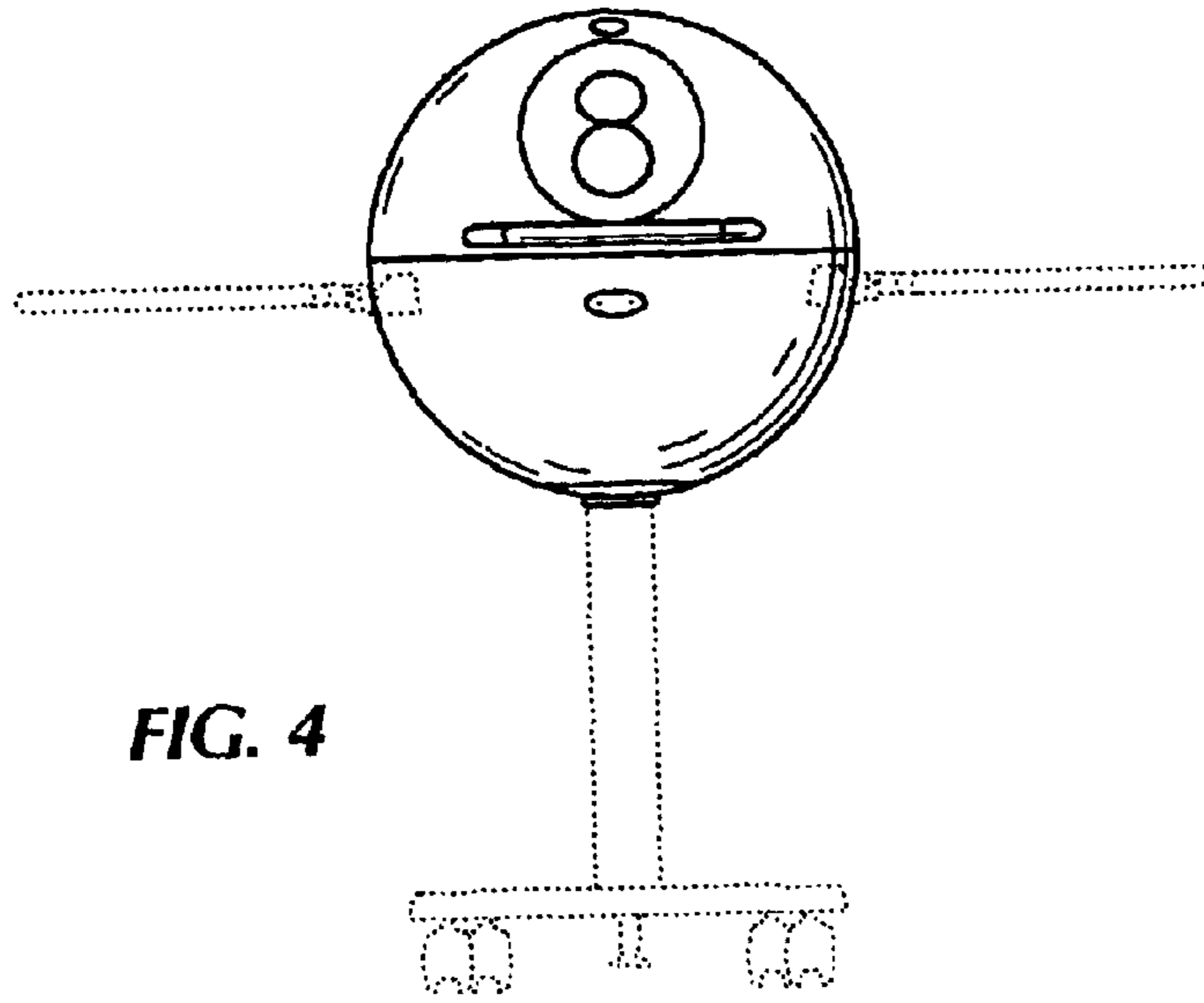


FIG. 4

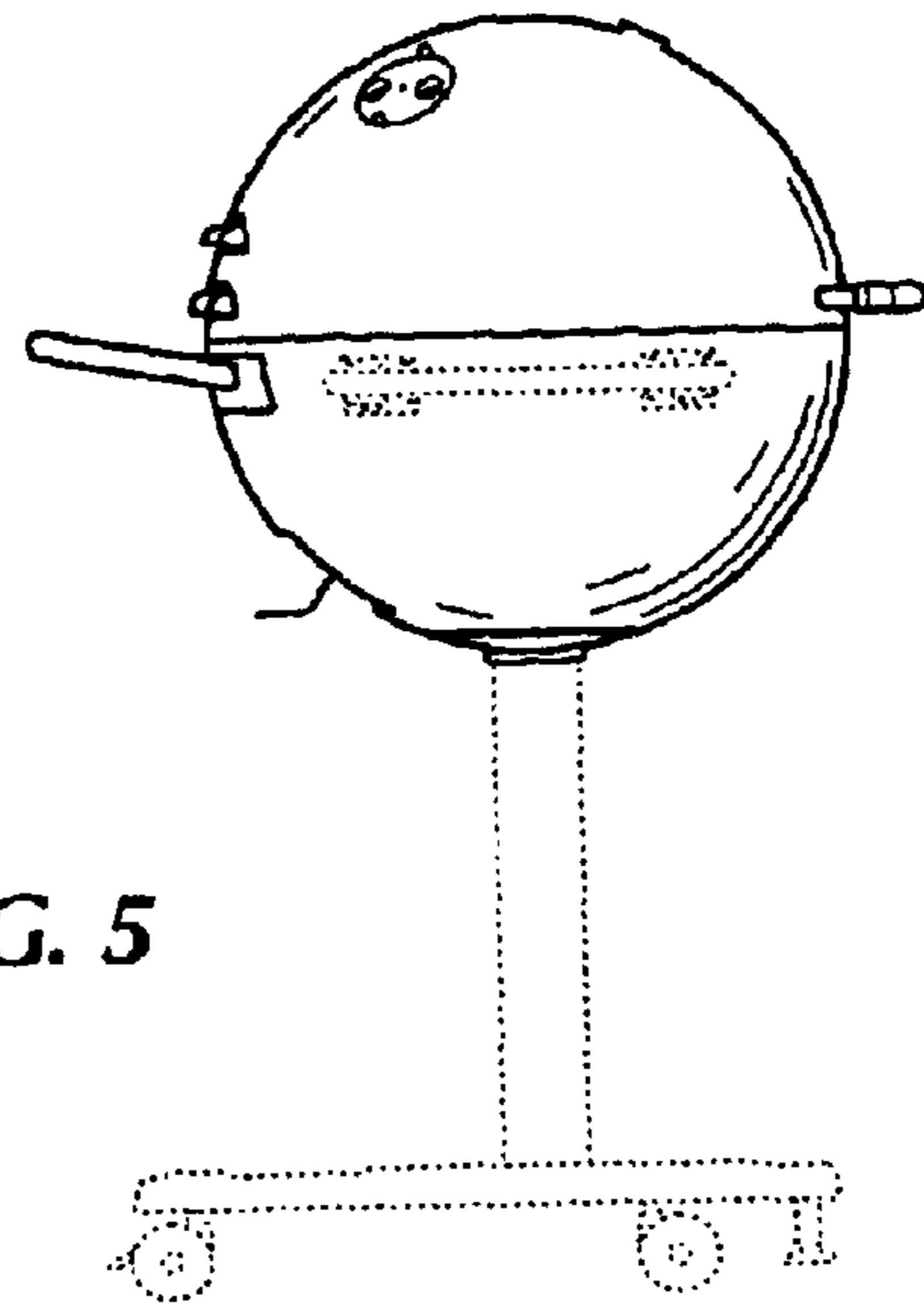


FIG. 5

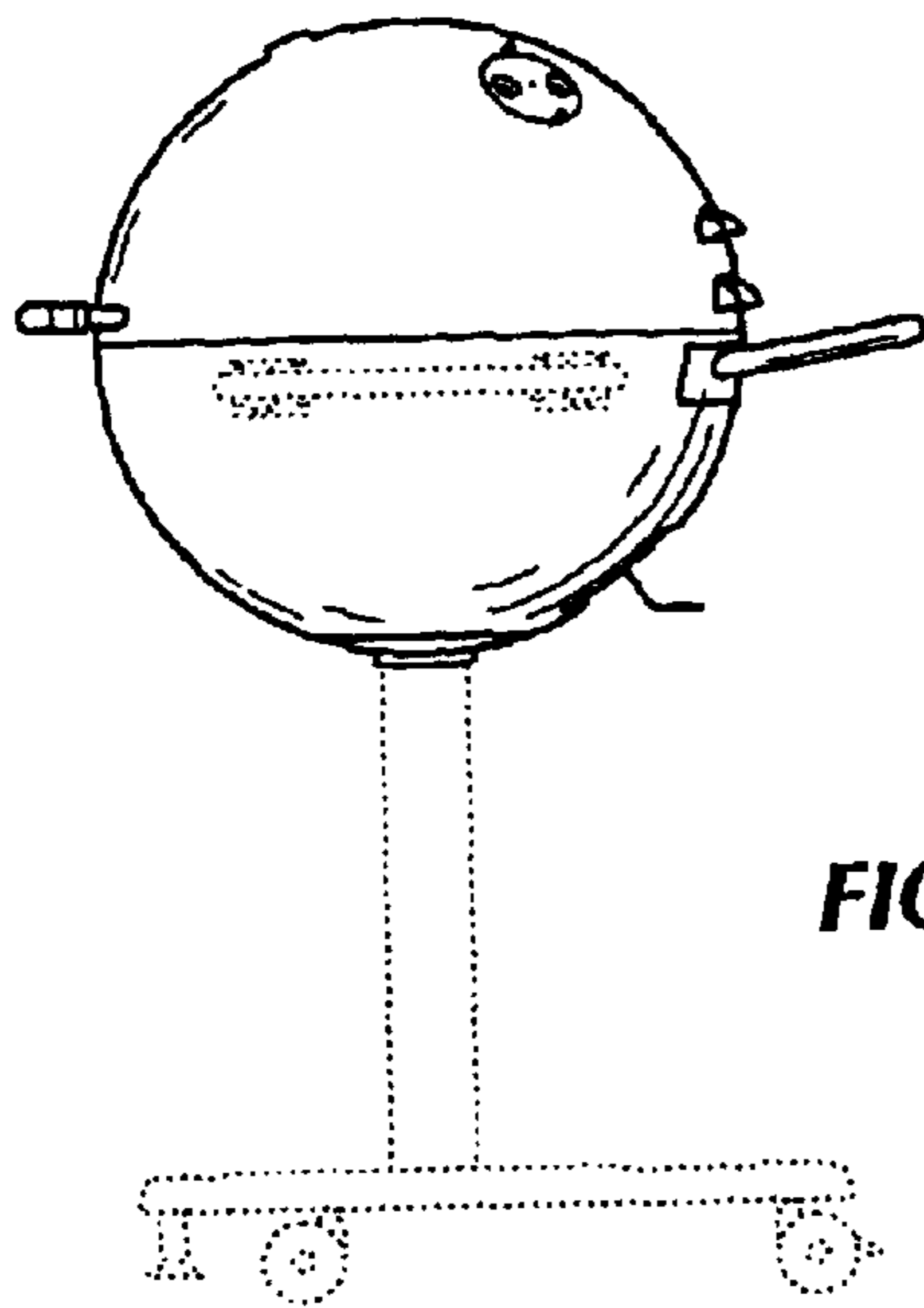


FIG. 6