

US00D497071S1

(12) **United States Design Patent** (10) **Patent No.:** **US D497,071 S**
Georgopoulos (45) **Date of Patent:** **** Oct. 12, 2004**

(54) **FLOATING SHELF** D403,546 S * 1/1999 Moon D6/574
 D416,737 S * 11/1999 Mutrux D6/567
 (76) **Inventor:** **Maria Georgopoulos**, 14 Melrose La.,
 Douglaston, NY (US) 11363 5,992,648 A 11/1999 Saunders
 D435,383 S * 12/2000 Evans et al. D6/574
 D453,439 S * 2/2002 Bahariance D6/574

(**) **Term:** **14 Years**

* cited by examiner

(21) **Appl. No.:** **29/179,316**

Primary Examiner—Brian N Vinson

(22) **Filed:** **Apr. 8, 2003**

(74) *Attorney, Agent, or Firm*—Richard L. Miller

(51) **LOC (7) Cl.** **06-04**

(57) **CLAIM**

(52) **U.S. Cl.** **D6/574**

The ornamental design for: floating shelf, as shown and described.

(58) **Field of Search** D6/553, 567, 574;
 108/151-152; 211/86.01, 88.01, 90.01,
 90.04, 126.1, 134; 248/201

DESCRIPTION

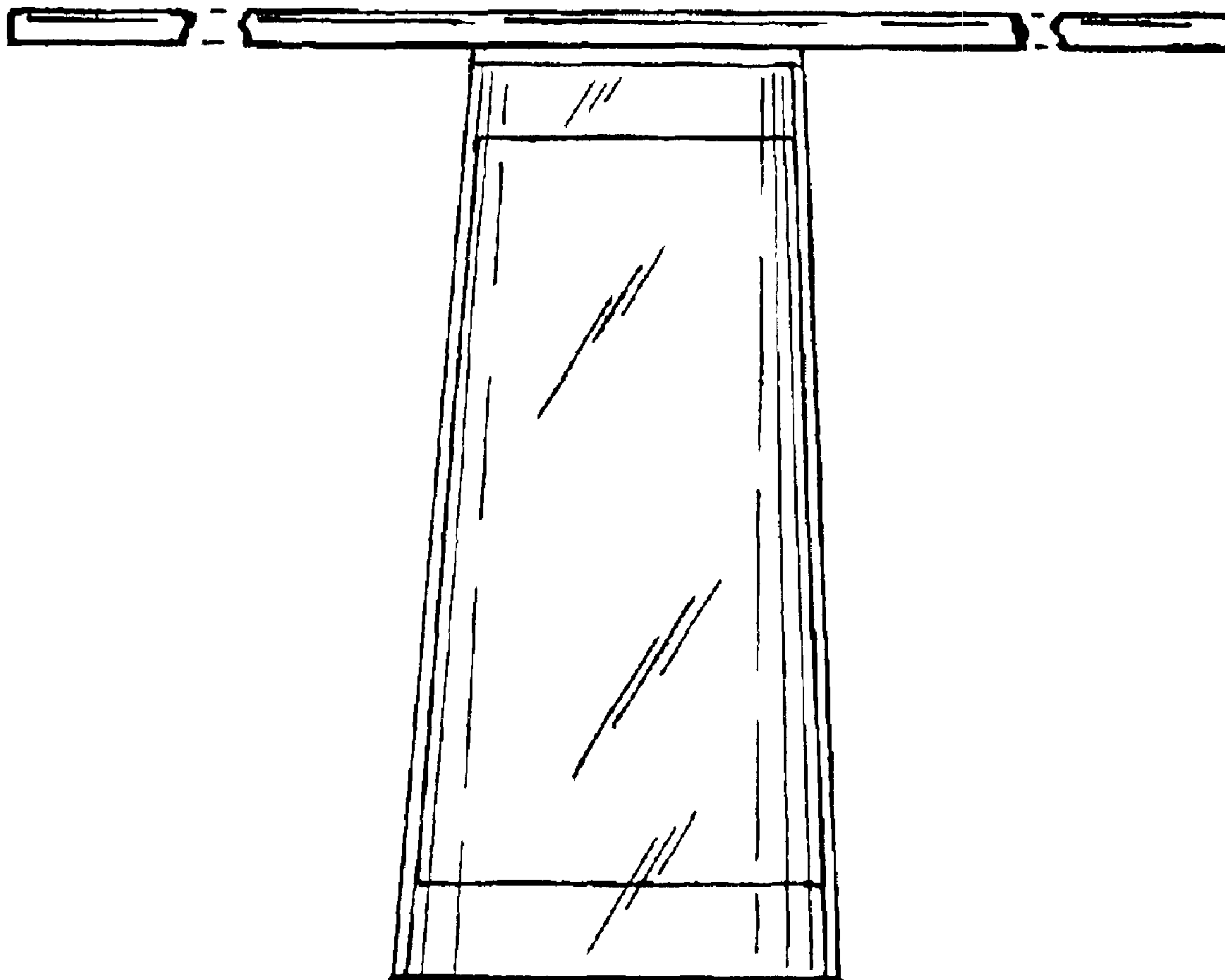
(56) **References Cited**

FIG. 1 is a front view showing my new design for a floating shelf;
 FIG. 2 is a top view thereof;
 FIG. 3 is a bottom view thereof;
 FIG. 4 is a rear view thereof; and,
 FIG. 5 is a left side view thereof, a right side being a mirror image.

U.S. PATENT DOCUMENTS

D263,183 S 3/1982 Laurenzi
 4,371,085 A 2/1983 Fredrickson
 4,377,114 A 3/1983 Fuller
 4,573,591 A 3/1986 Chap
 D299,896 S * 2/1989 Harrell D6/574
 5,564,566 A 10/1996 Lamb

1 Claim, 1 Drawing Sheet



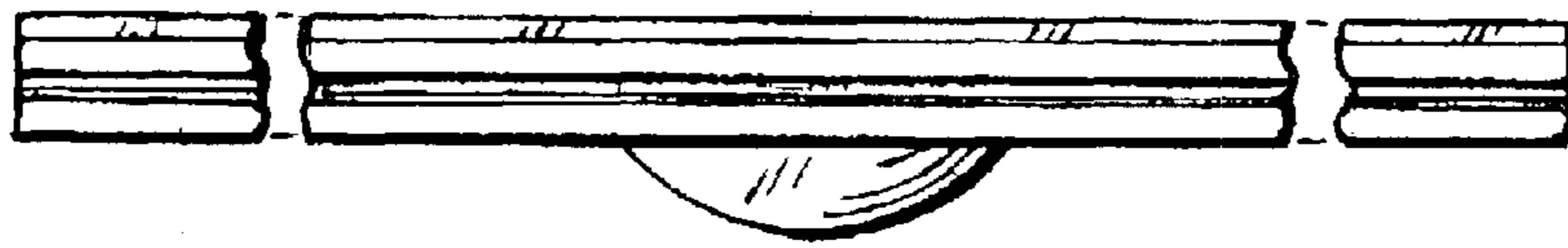


Fig. 2

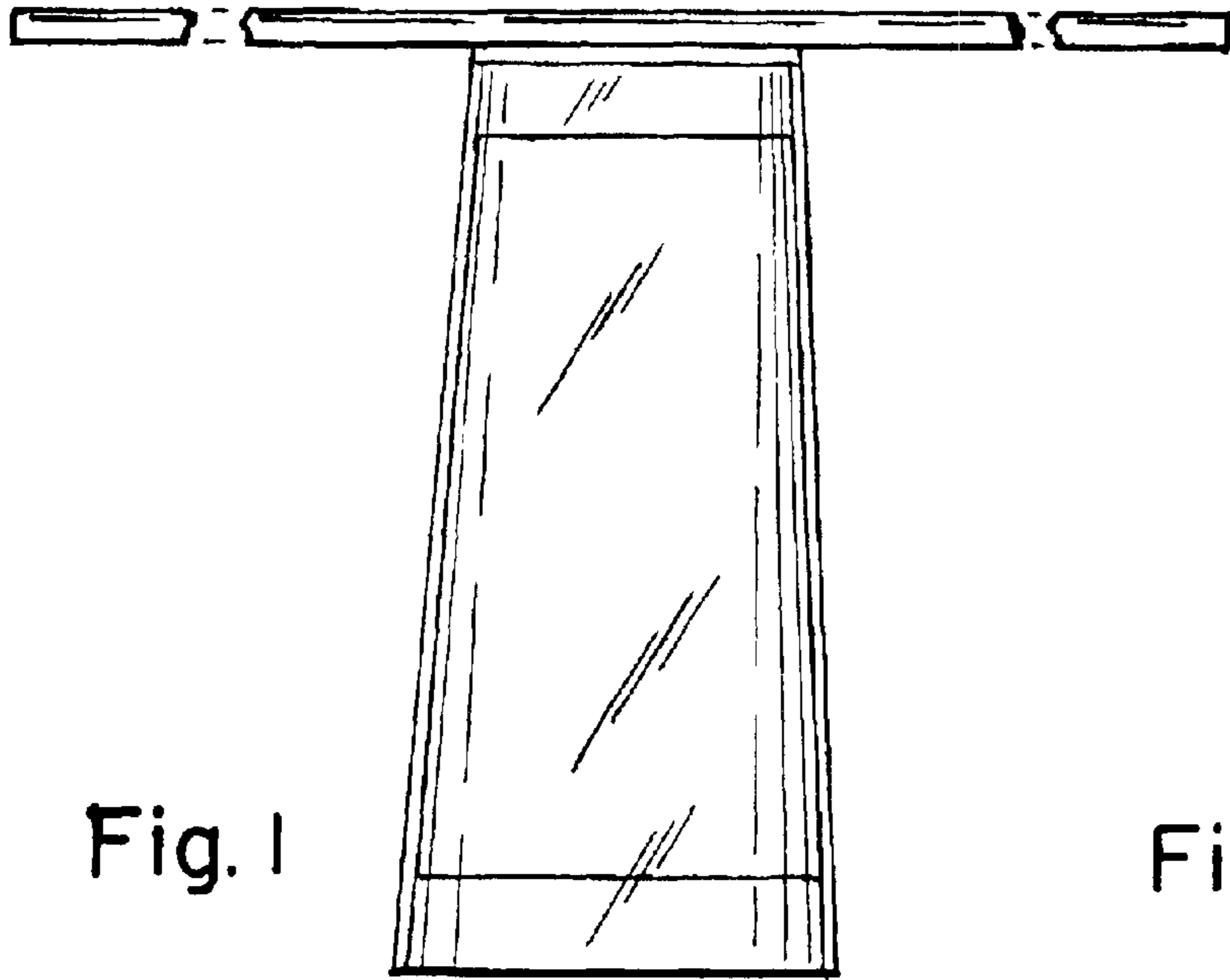


Fig. 1



Fig. 5

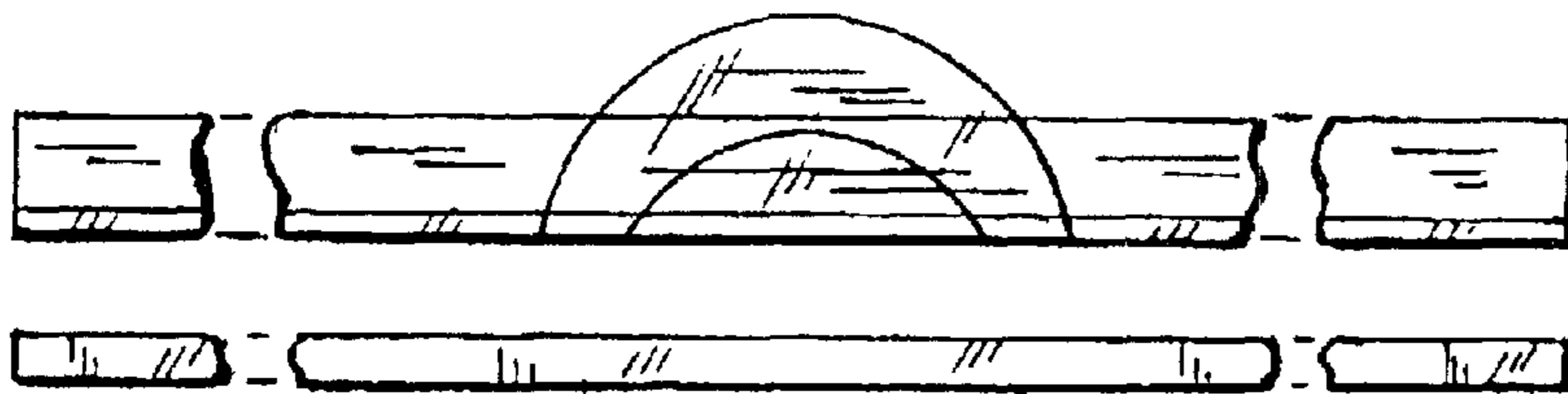


Fig. 3

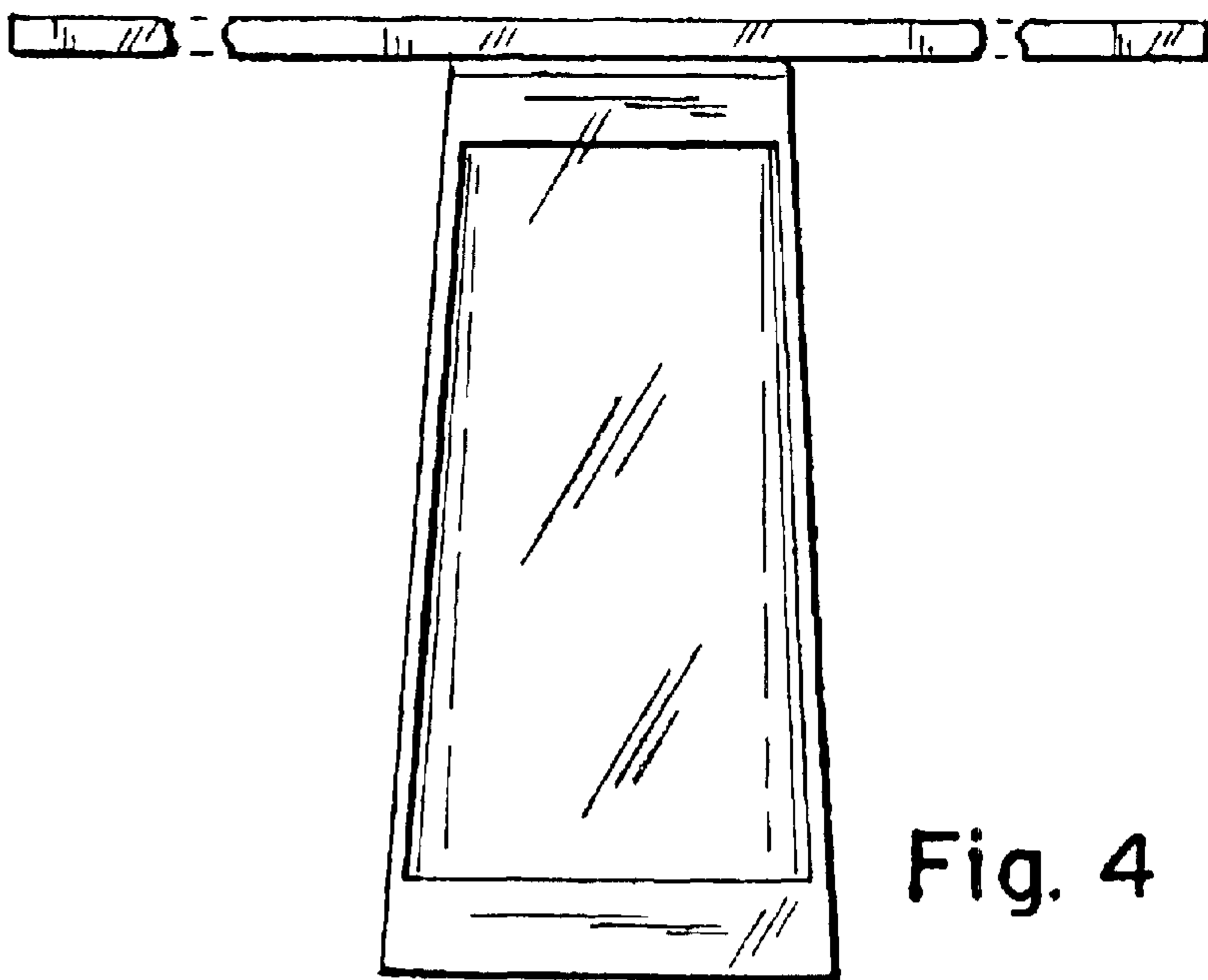


Fig. 4