

US00D497068S1

(12) **United States Design Patent**  
**Lipsztein**

(10) **Patent No.:** **US D497,068 S**

(45) **Date of Patent:** **\*\* Oct. 12, 2004**

(54) **MODULAR FURNITURE COMPONENT**

(76) **Inventor:** **Gisele Lipsztein**, 11756 Moorparm St., #F, Studio City, CA (US) 91604

(\*\*) **Term:** **14 Years**

(21) **Appl. No.:** **29/185,849**

(22) **Filed:** **Jul. 3, 2003**

(51) **LOC (7) Cl.** ..... **06-06**

(52) **U.S. Cl.** ..... **D6/511**

(58) **Field of Search** ..... D6/480-489, 495, D6/497, 450, 451, 511, 422; 108/150, 153.1, 158, 155, 156, 157.1, 161; 312/140.1, 140.2, 140.3

(56) **References Cited**

**U.S. PATENT DOCUMENTS**

2,891,139	A	*	6/1959	Wass et al.	.....	108/23
D238,841	S	*	2/1976	Goulooze	.....	D6/423
4,254,957	A	*	3/1981	Kramer	.....	273/271

D331,672	S	*	12/1992	Brodbeck	.....	D6/421
D427,813	S	*	7/2000	Foster	.....	D6/482
D476,379	S	*	6/2003	Manville	.....	D21/484
D479,566	S	*	9/2003	Manville	.....	D21/484

\* cited by examiner

*Primary Examiner*—Janice E. Seeger

(74) *Attorney, Agent, or Firm*—The Hecker Law Group

(57) **CLAIM**

The ornamental design for modular furniture component, as shown and described.

**DESCRIPTION**

FIG. 1 is a perspective view of the modular furniture component showing a first embodiment of the present invention.

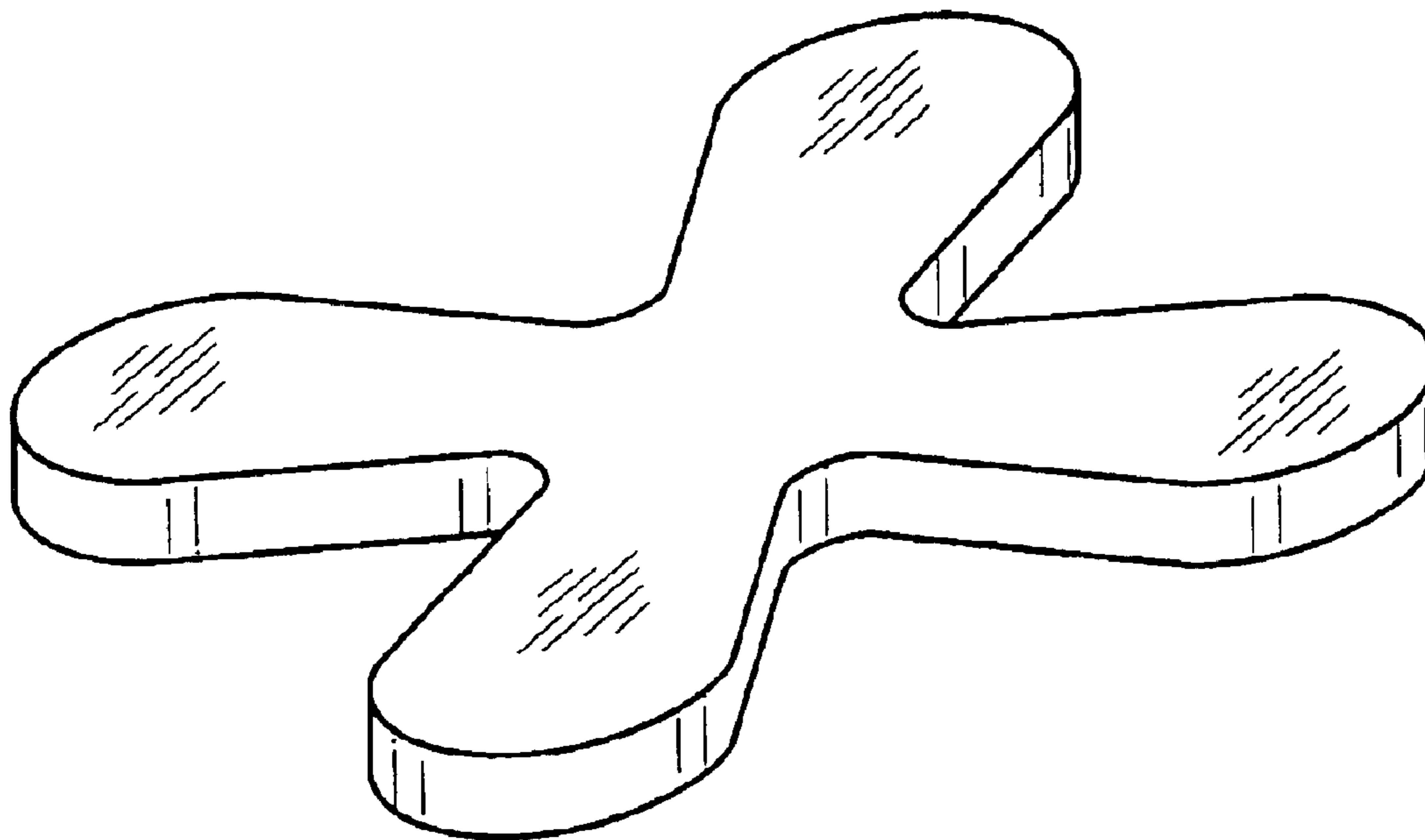
FIG. 2 is a top view of the embodiment of FIG. 1.

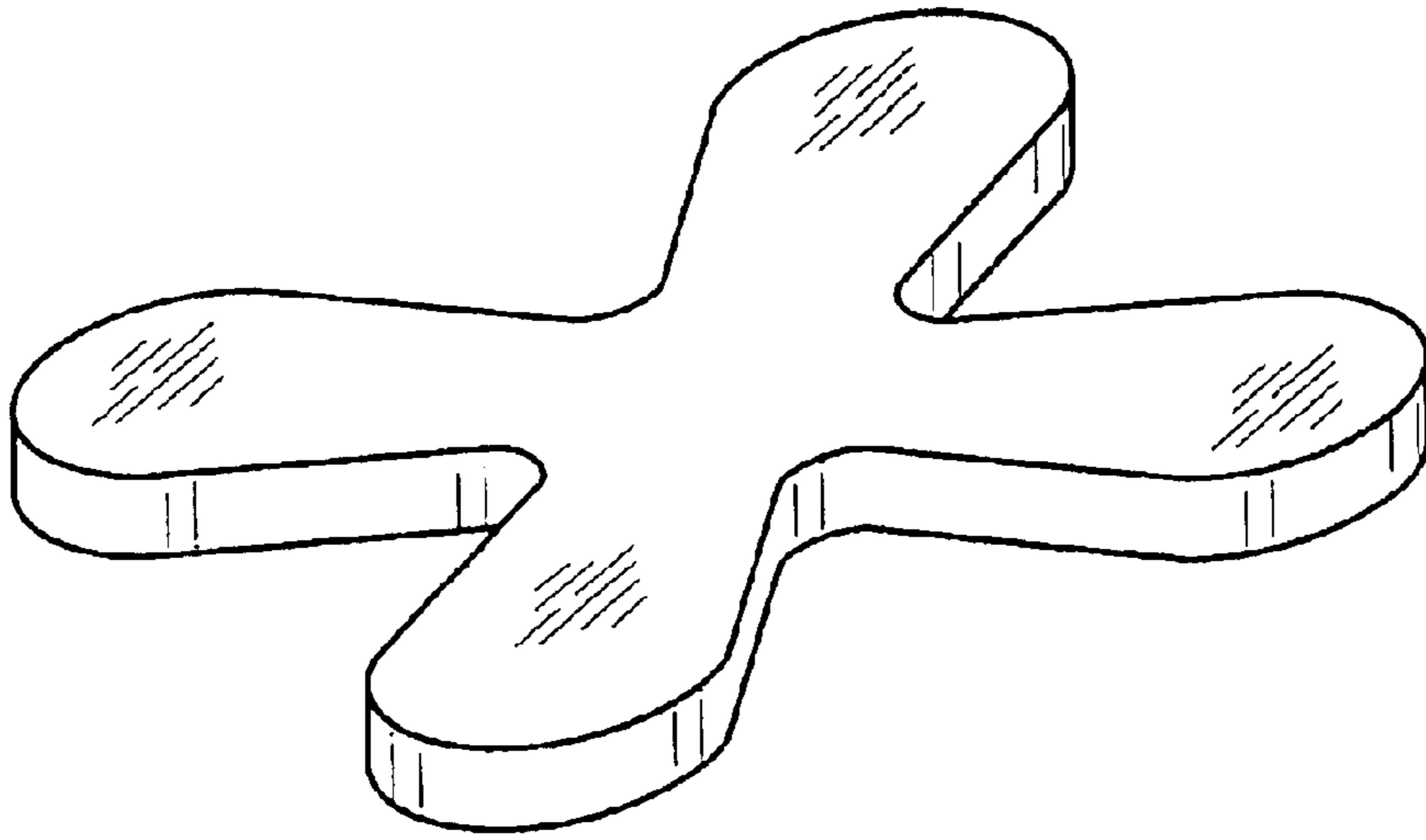
FIG. 3 is a front view of the embodiment of FIG. 1.

FIG. 4 is a side view of the embodiment of FIG. 1; and,

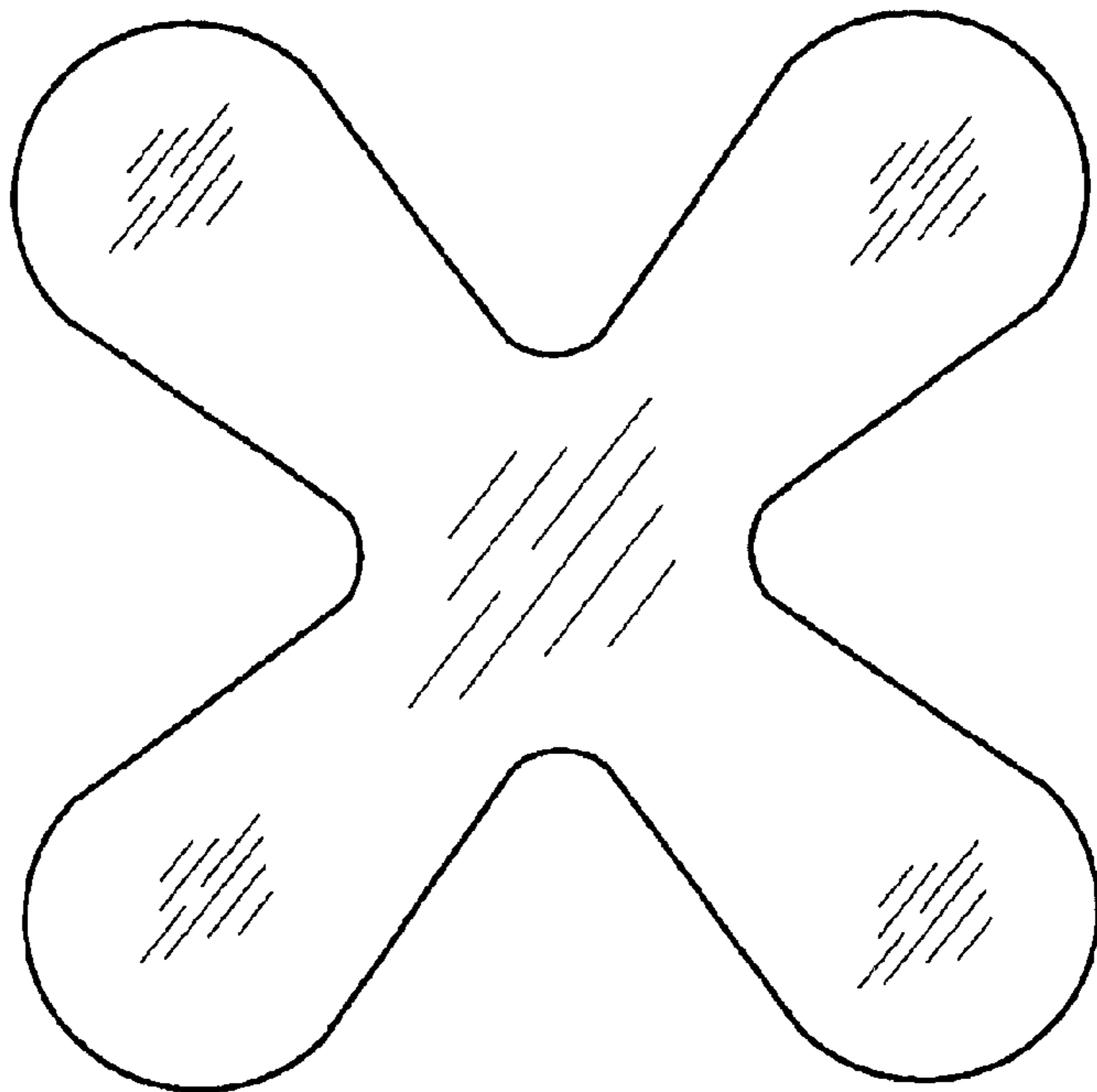
FIG. 5 is a bottom view of the embodiment of FIG. 1.

**1 Claim, 2 Drawing Sheets**





**FIG. 1**



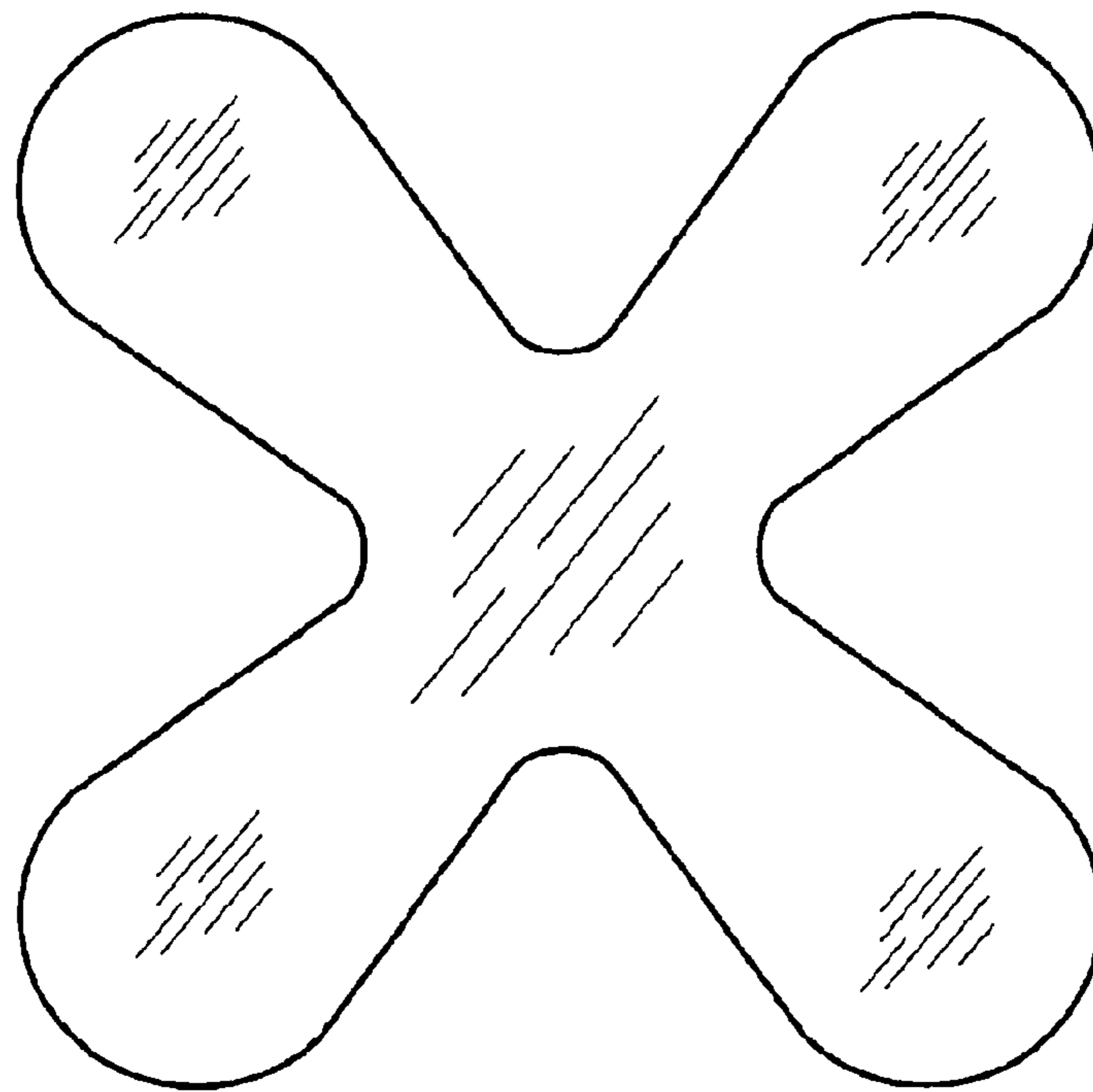
**FIG. 2**



**FIG. 3**



**FIG. 4**



**FIG. 5**