

US00D497067S1

(12) **United States Design Patent**
Cook

(10) **Patent No.:** **US D497,067 S**
(45) **Date of Patent:** **** Oct. 12, 2004**

- (54) **BED**
- (75) **Inventor:** **Eric A. Cook**, Onalaska, WI (US)
- (73) **Assignee:** **Ashley Furniture Industries, Inc.**,
Arcadia, WI (US)
- (**) **Term:** **14 Years**
- (21) **Appl. No.:** **29/188,458**
- (22) **Filed:** **Aug. 19, 2003**
- (51) **LOC (7) Cl.** **06-06**
- (52) **U.S. Cl.** **D6/505**
- (58) **Field of Search** D6/388, 389, 392-395,
D6/505-508, 382-384; 5/53.1, 279.1, 280,
281, 907, 2.1

- D431,730 S 10/2000 Zorzetto
- D439,453 S 3/2001 Camfferman
- D451,696 S 12/2001 Boerner et al.
- D466,344 S 12/2002 Tobin, Jr.
- D466,716 S 12/2002 Tobin, Jr.
- D475,863 S 6/2003 Berry et al.

* cited by examiner

Primary Examiner—Janice E. Seeger
(74) *Attorney, Agent, or Firm*—Patterson, Thunte, Skaar & Christensen, P.A.

(57) **CLAIM**

I claim the ornamental design for bed, as shown and described.

DESCRIPTION

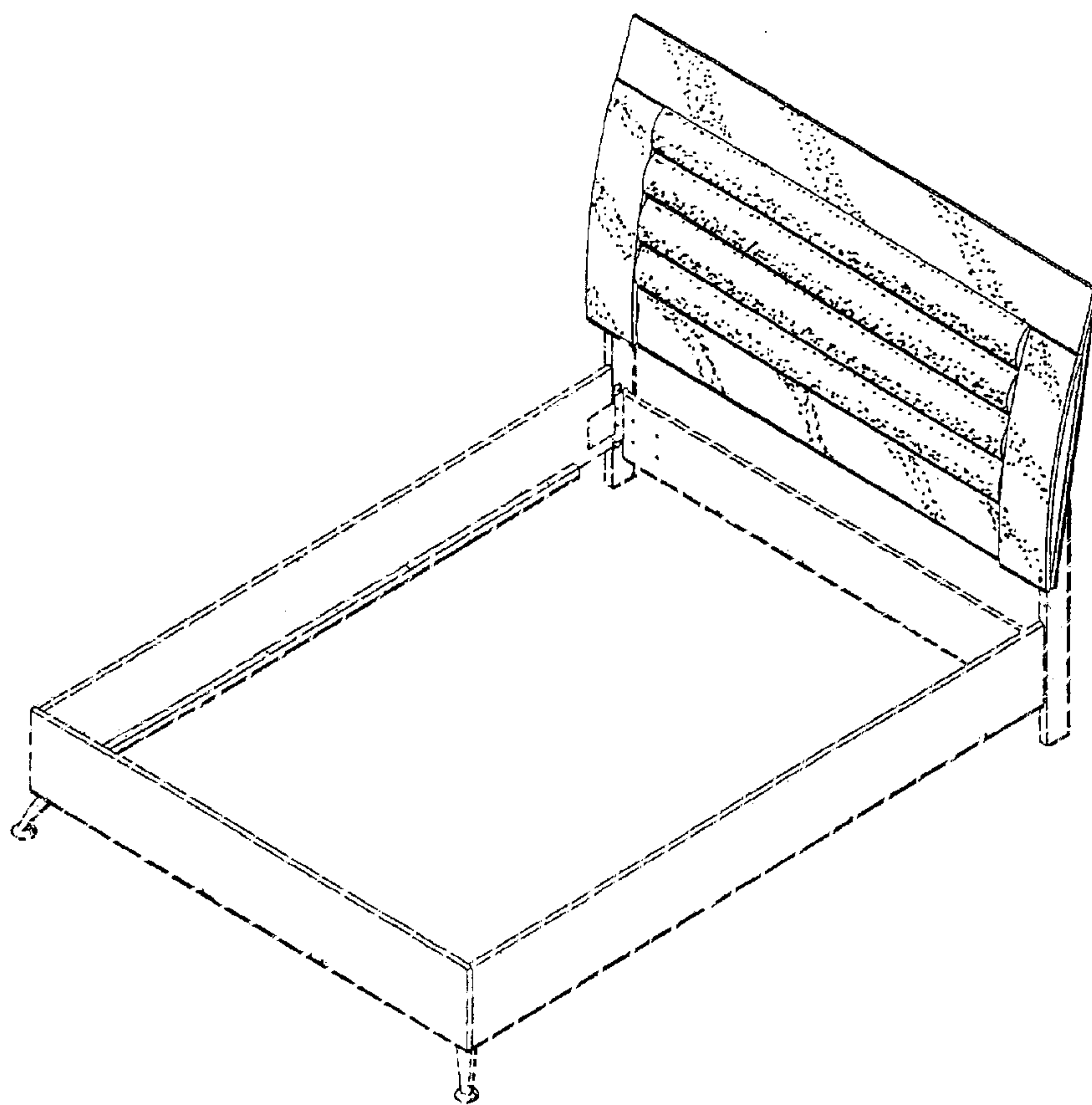
FIG. 1 is a perspective view of a bed according to an embodiment of the invention.
FIG. 2 is a front elevational view of a bed according to an embodiment of the invention; and,
FIG. 3 is a top plan view of a bed according to an embodiment of the invention.
The features shown with dashed lines represent no part of the claimed invention. The rear of the bed not shown is not part of the claimed design.

1 Claim, 3 Drawing Sheets

(56) **References Cited**

U.S. PATENT DOCUMENTS

D177,467 S	*	4/1956	Frey	D6/397
D231,881 S	*	6/1974	Carter	D6/505
D279,439 S	*	7/1985	Offredi	D6/393
D393,378 S		4/1998	Hutton		
D403,527 S		1/1999	Annal		
D413,455 S		9/1999	Lacroix et al.		
D417,973 S		12/1999	Lacroix et al.		
D431,388 S		10/2000	Zorzetto		



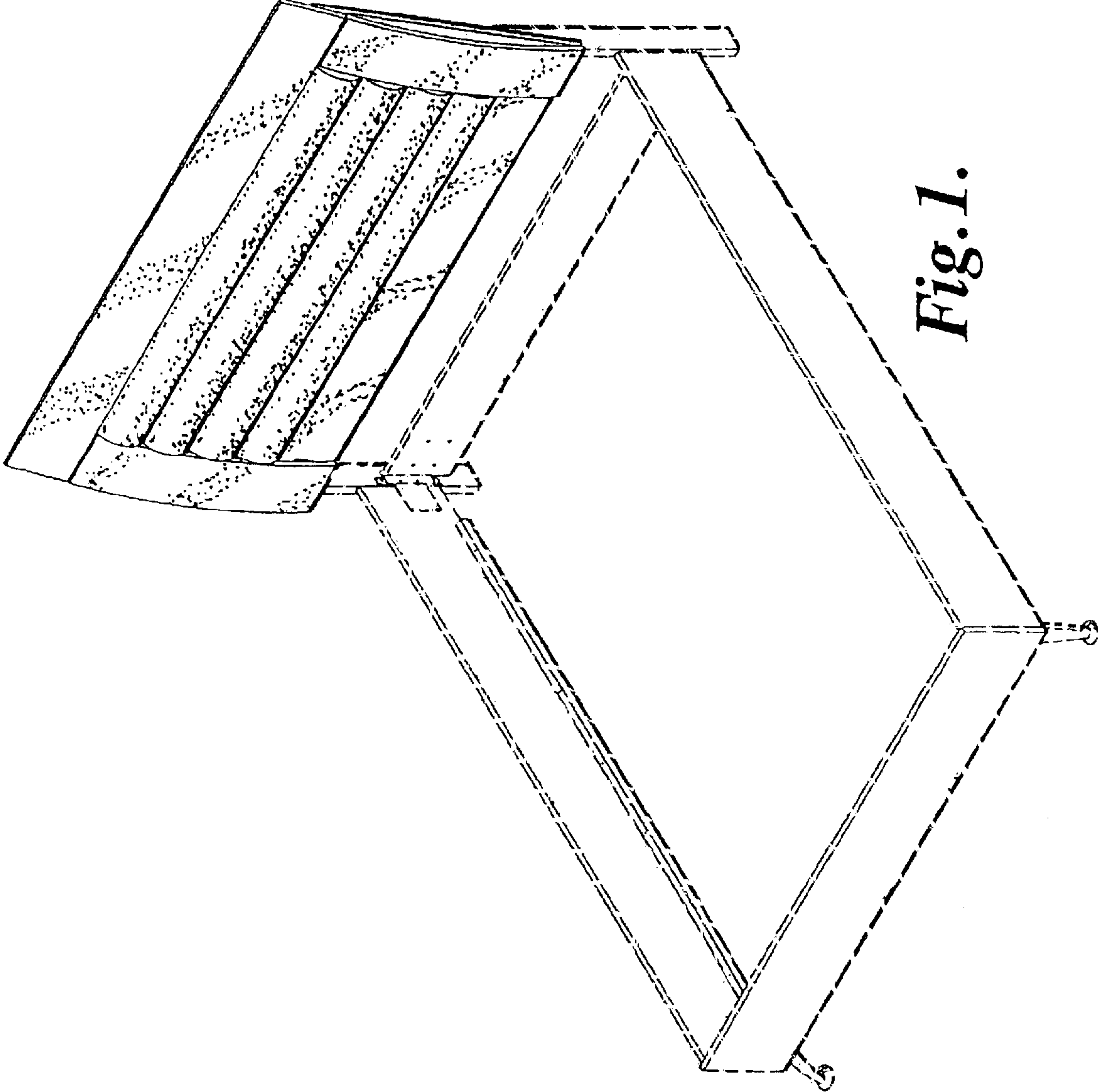


Fig. 1.

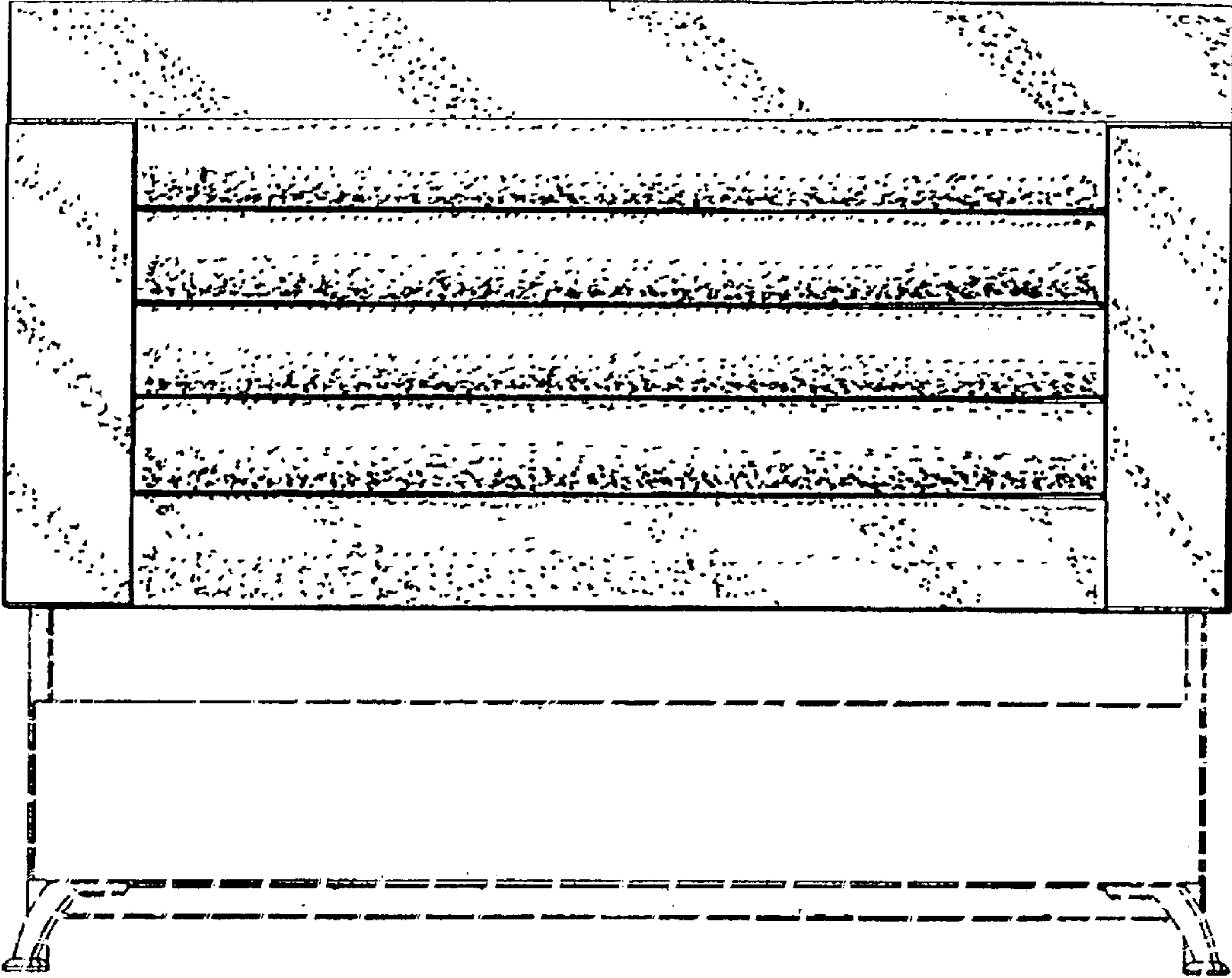


Fig. 2.

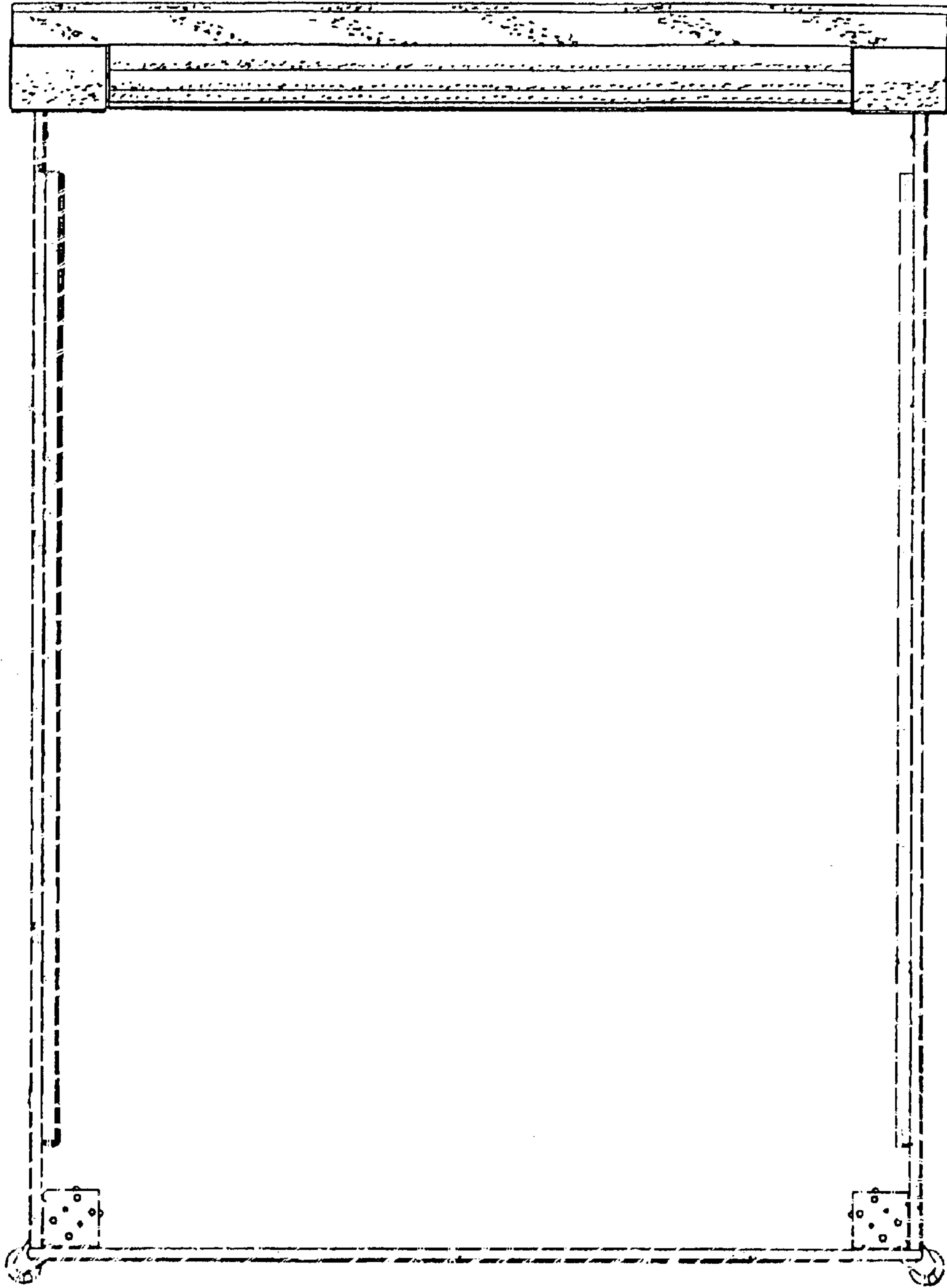


Fig. 3.